



US00D885364S

(12) **United States Design Patent**
Paterson et al.

(10) **Patent No.:** **US D885,364 S**

(45) **Date of Patent:** **** May 26, 2020**

- (54) **COMMUNICATIONS HEADSET**
- (71) Applicant: **Plantronics, Inc.**, Santa Cruz, CA (US)
- (72) Inventors: **Nicholas W. Paterson**, Santa Cruz, CA (US); **John A. Kelley**, Santa Cruz, CA (US)
- (73) Assignee: **Plantronics, Inc.**, Santa Cruz, CA (US)
- (**) Term: **15 Years**

D505,413 S *	5/2005	Skulley	D14/223
D506,258 S *	6/2005	Nielsen	D24/174
D510,082 S *	9/2005	Olson	D14/206
D510,335 S *	10/2005	Suzuki	D14/205

(Continued)

FOREIGN PATENT DOCUMENTS

JP	D1567288 S	1/2017
JP	D1567353 S	1/2017

(Continued)

OTHER PUBLICATIONS

Taiwan IPO Search Report issued in Taiwanese Design Patent Application No. 108301430, completed Sep. 7, 2019 and English translation thereof (2 pages).

(Continued)

Primary Examiner — Paula Allen Greene

- (21) Appl. No.: **29/663,896**
- (22) Filed: **Sep. 19, 2018**
- (51) **LOC (12) Cl.** **14-01**
- (52) **U.S. Cl.**
USPC **D14/206; D14/226**
- (58) **Field of Classification Search**
USPC D14/205, 206, 225, 226, 228; 181/129, 181/130, 135; 379/430, 431; 381/380, 381/381, 370; 455/90.3, 469.1, 575.1
CPC H04R 1/1066; H04R 1/1016; H04R 5/033; H04R 5/0335; H04R 1/10; H04R 25/00; H04R 9/04; H04R 9/08; H04R 19/04
See application file for complete search history.

(57) **CLAIM**

The ornamental design for a communications headset, as shown and described.

DESCRIPTION

FIG. 1 is a front-left perspective view of a communications headset showing my new design;
FIG. 2 is a back-right perspective view thereof;
FIG. 3 is a front view thereof;
FIG. 4 is a back view thereof;
FIG. 5 is a right side view thereof;
FIG. 6 is a left side view thereof;
FIG. 7 is a top view thereof; and,
FIG. 8 is a bottom view thereof.

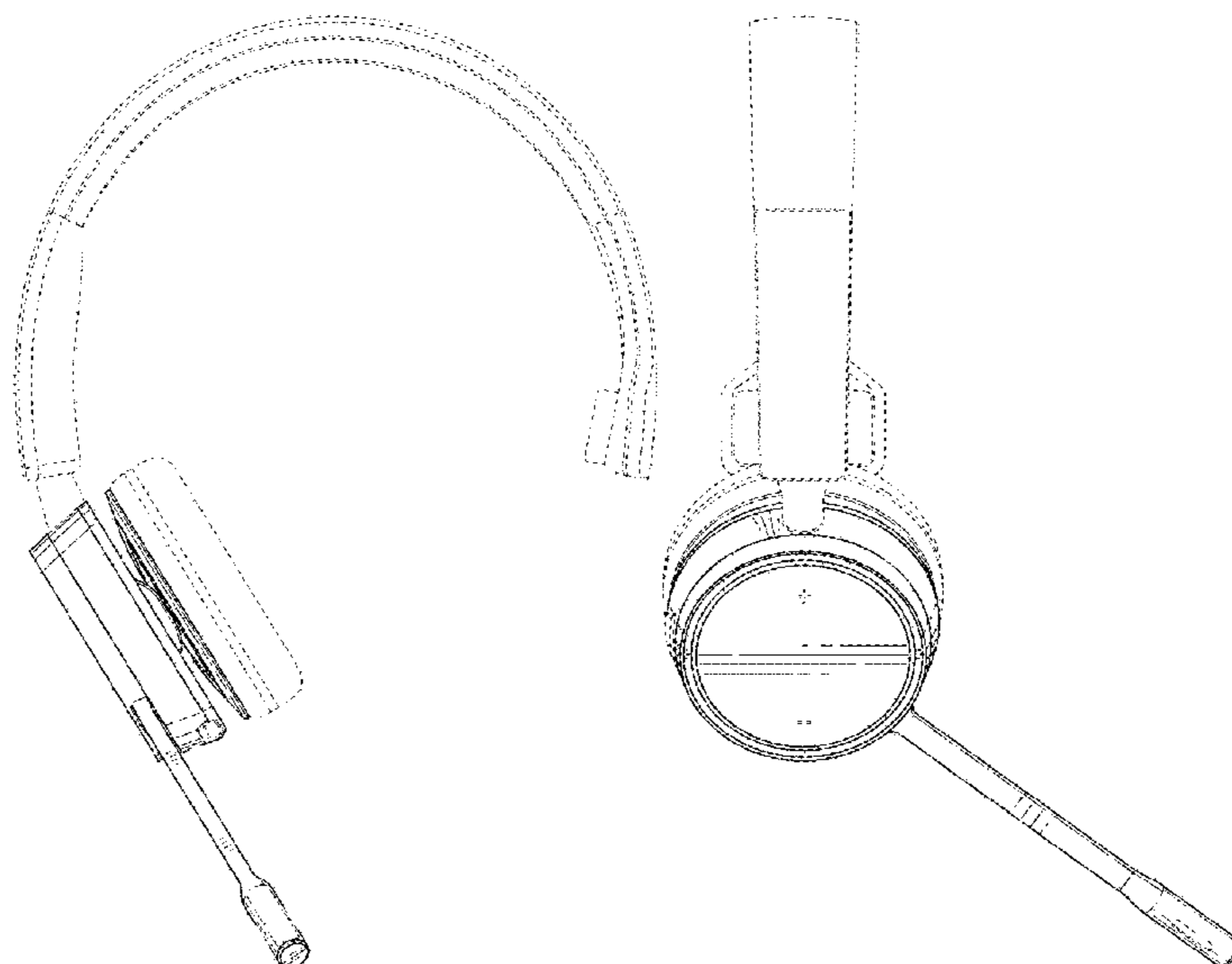
The broken lines immediately adjacent the shaded areas represent the bounds of the claimed design while all other broken lines are directed to environment that are for illustrative purposes only; the broken lines form no part of the claimed design.

1 Claim, 8 Drawing Sheets

(56) **References Cited**

U.S. PATENT DOCUMENTS

4,875,233 A *	10/1989	Derhaag	H04M 1/05 379/430
D406,140 S *	2/1999	Hall	D14/205
D410,466 S *	6/1999	Mouri	D14/205
D449,034 S *	10/2001	Weikel	D14/205
D449,039 S *	10/2001	Weikel	D14/227
D451,907 S *	12/2001	Amae	D14/206
D463,784 S *	10/2002	Taylor	D14/206
6,560,346 B2 *	5/2003	Ohta	H04R 1/083 381/370
D484,485 S *	12/2003	Matsuoka	D14/205
D498,227 S *	11/2004	Dyer	D14/205
D504,419 S *	4/2005	Bey	D14/223



(56)

References Cited

U.S. PATENT DOCUMENTS

6,980,666 B1 * 12/2005 Owen H04R 5/033
381/371
D517,528 S * 3/2006 Skulley D14/206
D520,496 S * 5/2006 Gwee D14/205
D521,492 S * 5/2006 Ham D14/205
D531,165 S * 10/2006 Rath D14/206
D537,815 S * 3/2007 Bentley D14/206
D539,267 S * 3/2007 Komiyama D14/205
D540,313 S * 4/2007 Rausch D14/225
D540,778 S * 4/2007 Thompson D14/206
D541,787 S * 5/2007 Ma D14/205
D549,688 S * 8/2007 Suzuki D14/205
D567,220 S * 4/2008 Wang D14/206
D588,098 S * 3/2009 Kurihara D14/205
D589,492 S * 3/2009 Mistry D14/205
D593,993 S * 6/2009 Kim D14/203.7
D597,072 S * 7/2009 Asai D14/206
D602,001 S * 10/2009 Bentley D14/206
D602,906 S * 10/2009 Groves D14/205
D603,372 S * 11/2009 Bentley D14/206
D616,418 S * 5/2010 Morisawa D14/205
D617,771 S * 6/2010 Groves D14/205
D635,959 S * 4/2011 Hutchieson D14/205
D638,000 S * 5/2011 Hoggarth D14/206
D642,554 S * 8/2011 Schaal D14/205
D643,405 S * 8/2011 Rath D14/206
D647,877 S * 11/2011 Son D14/206
8,061,473 B1 * 11/2011 Kerr A61F 11/008
181/135
D652,017 S * 1/2012 Groves D14/206
D654,471 S * 2/2012 Fischer D14/206
D654,472 S * 2/2012 Fischer D14/206
D662,080 S * 6/2012 Carr D14/205
D670,267 S * 11/2012 Maddern D14/206
D671,914 S * 12/2012 Lee D14/205
D671,915 S * 12/2012 Birger D14/206
D674,767 S * 1/2013 Brunner D14/205
D677,647 S * 3/2013 Lee D14/205
D681,014 S * 4/2013 Ham D14/206
D691,112 S * 10/2013 Brunner D14/206
D691,579 S * 10/2013 Lee D14/205
D692,410 S * 10/2013 Brunner H04S 1/005
D14/206
D695,263 S * 12/2013 Mogili D14/205
D713,817 S * 9/2014 Paterson D14/205
D716,258 S * 10/2014 Awiszus D14/206

D716,259 S * 10/2014 Awiszus D14/206
D716,760 S * 11/2014 Brunner D14/206
D717,767 S * 11/2014 Mistry D14/206
D725,628 S * 3/2015 Tompkin D14/205
D725,630 S * 3/2015 Nakagawa D14/205
D732,503 S * 6/2015 Brunner H04S 1/005
D14/205
D734,296 S * 7/2015 Paterson D14/205
D741,842 S * 10/2015 Levine D14/226
9,426,554 B2 * 8/2016 Dai H04R 1/105
D794,601 S * 8/2017 Riggs D14/205
D794,602 S * 8/2017 Riggs D14/205
D806,676 S * 1/2018 Fuglsang D14/206
D809,478 S * 2/2018 Arimoto D14/205
D820,812 S * 6/2018 Bidwell D14/206
D822,638 S * 7/2018 Liu D14/206
D830,339 S * 10/2018 Yan D14/206
D836,085 S * 12/2018 Sun D14/206
D843,967 S * 3/2019 Paterson D14/205
D847,778 S * 5/2019 Hardi D14/205
D848,395 S * 5/2019 Kelley D14/205
D851,628 S * 6/2019 Wernblad D14/206
D855,036 S * 7/2019 Yan D14/206
D856,303 S * 8/2019 Ando D14/205
D864,155 S * 10/2019 Liu D14/206
D864,156 S * 10/2019 Liu D14/206
D867,331 S * 11/2019 Lindof D14/206
D870,069 S * 12/2019 Hu D14/206
2005/0286717 A1 * 12/2005 Viduya H04M 1/05
379/430
2012/0328119 A1 * 12/2012 Heise H04R 1/1066
381/74

FOREIGN PATENT DOCUMENTS

JP D1603453 S 5/2018
JP D1527479 S 6/2018
KR 30-08522810000 S 5/2016
KR 30-08993070000 S 3/2017
KR 30-08993080000 S 3/2017
TW D191632 S 7/2018

OTHER PUBLICATIONS

Taiwan IPO Search Report issued in Taiwanese Design Patent Application No. 108301431, completed Sep. 7, 2019 and English translation thereof (2 pages).

* cited by examiner

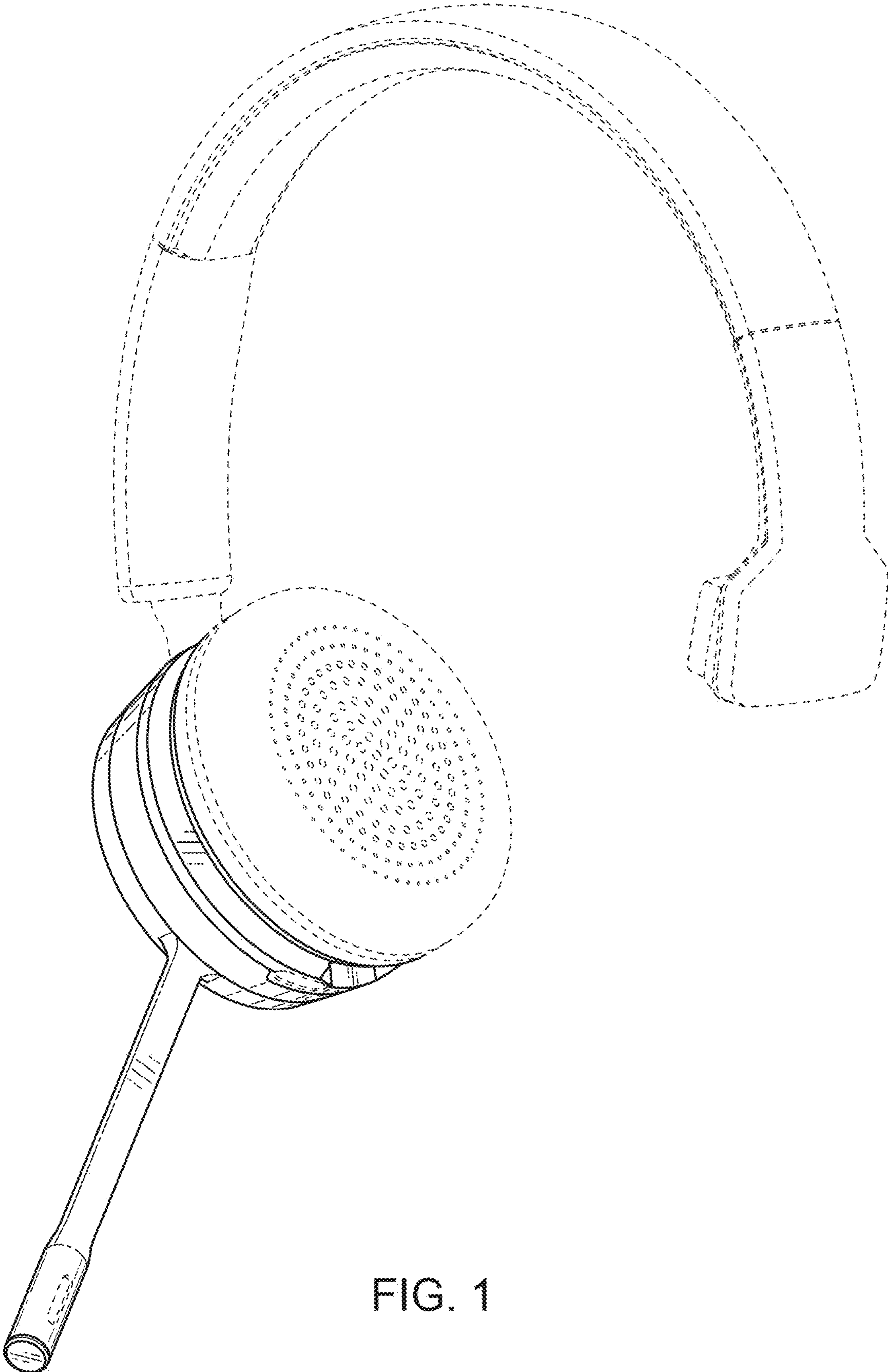


FIG. 1

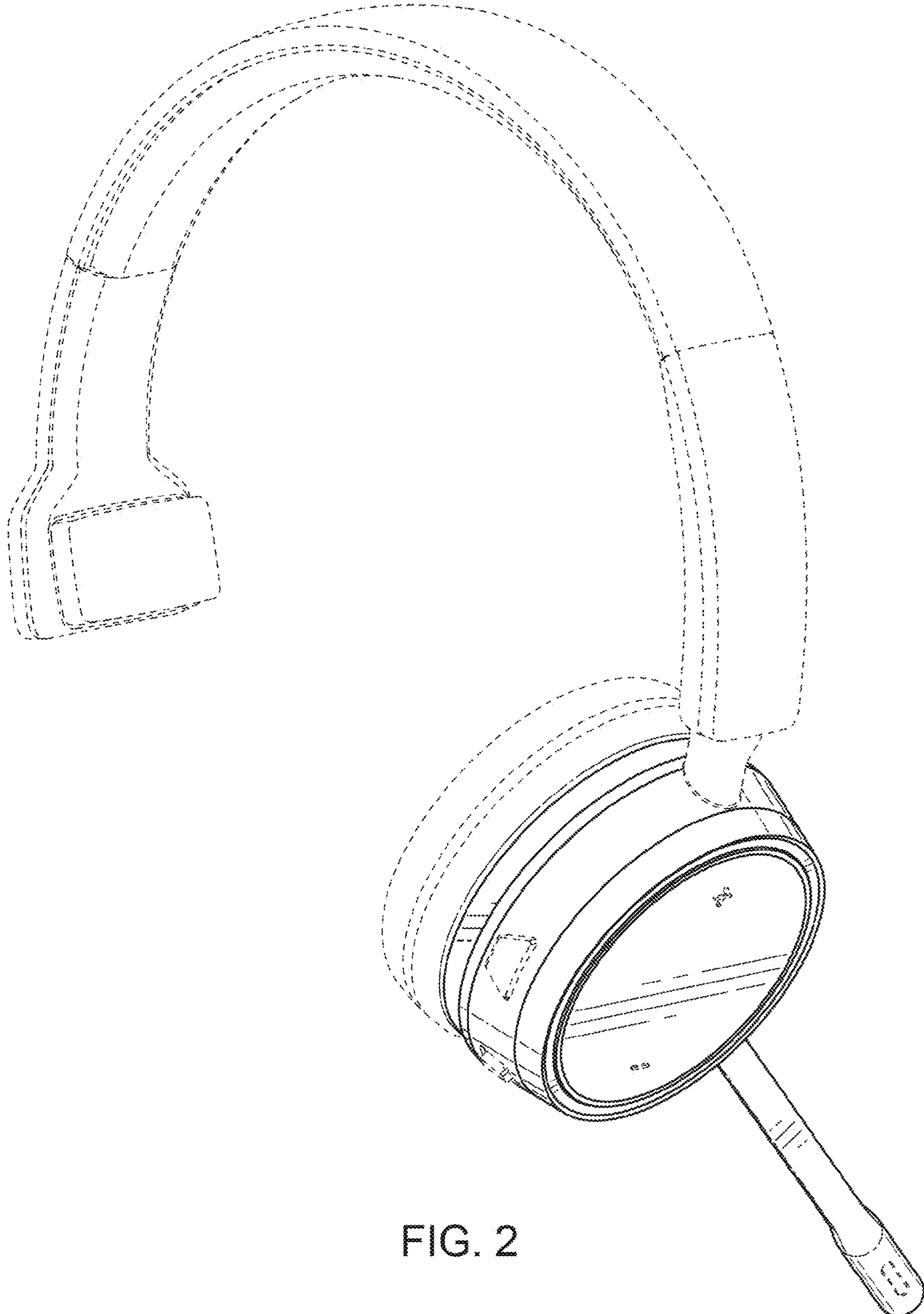


FIG. 2

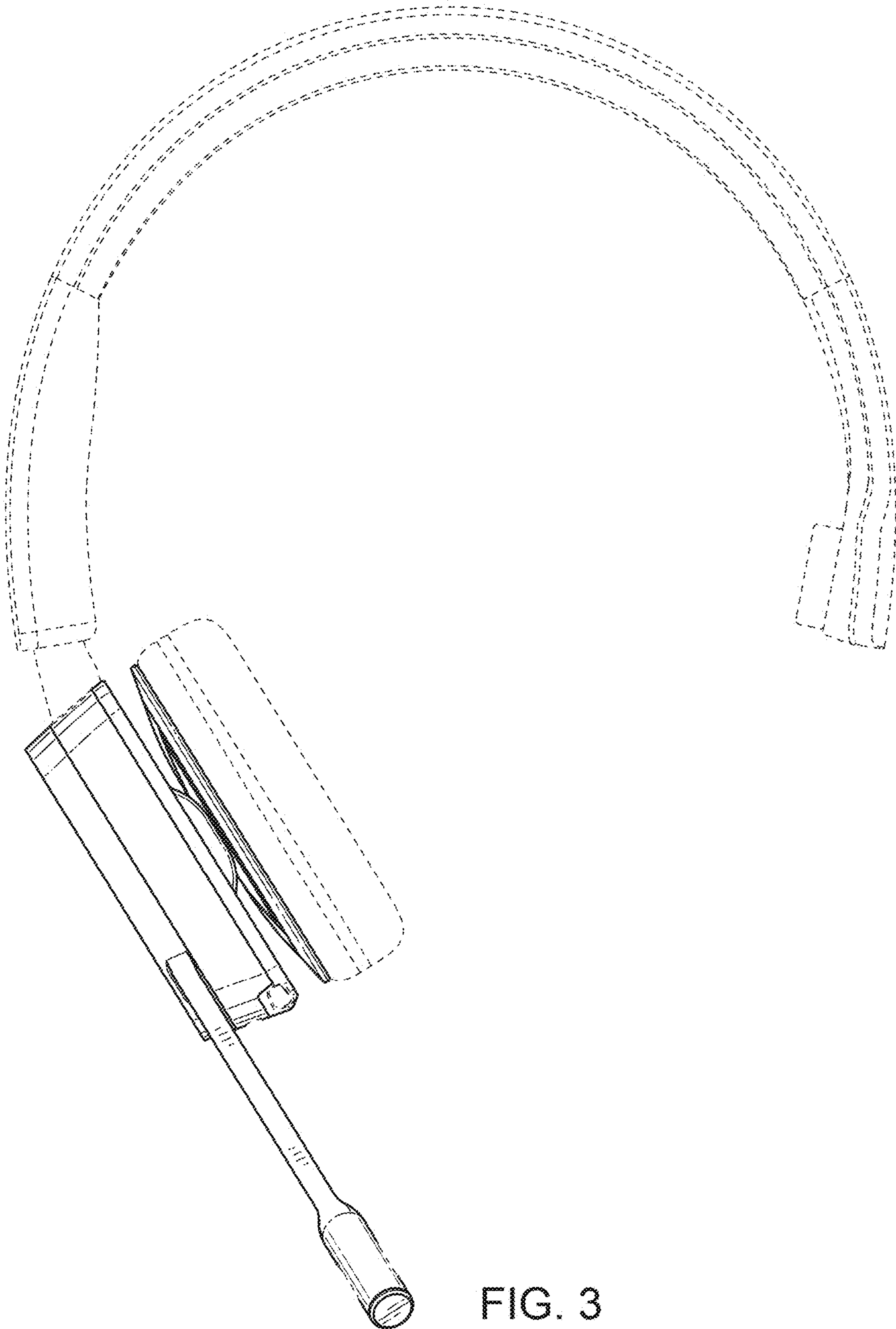


FIG. 3

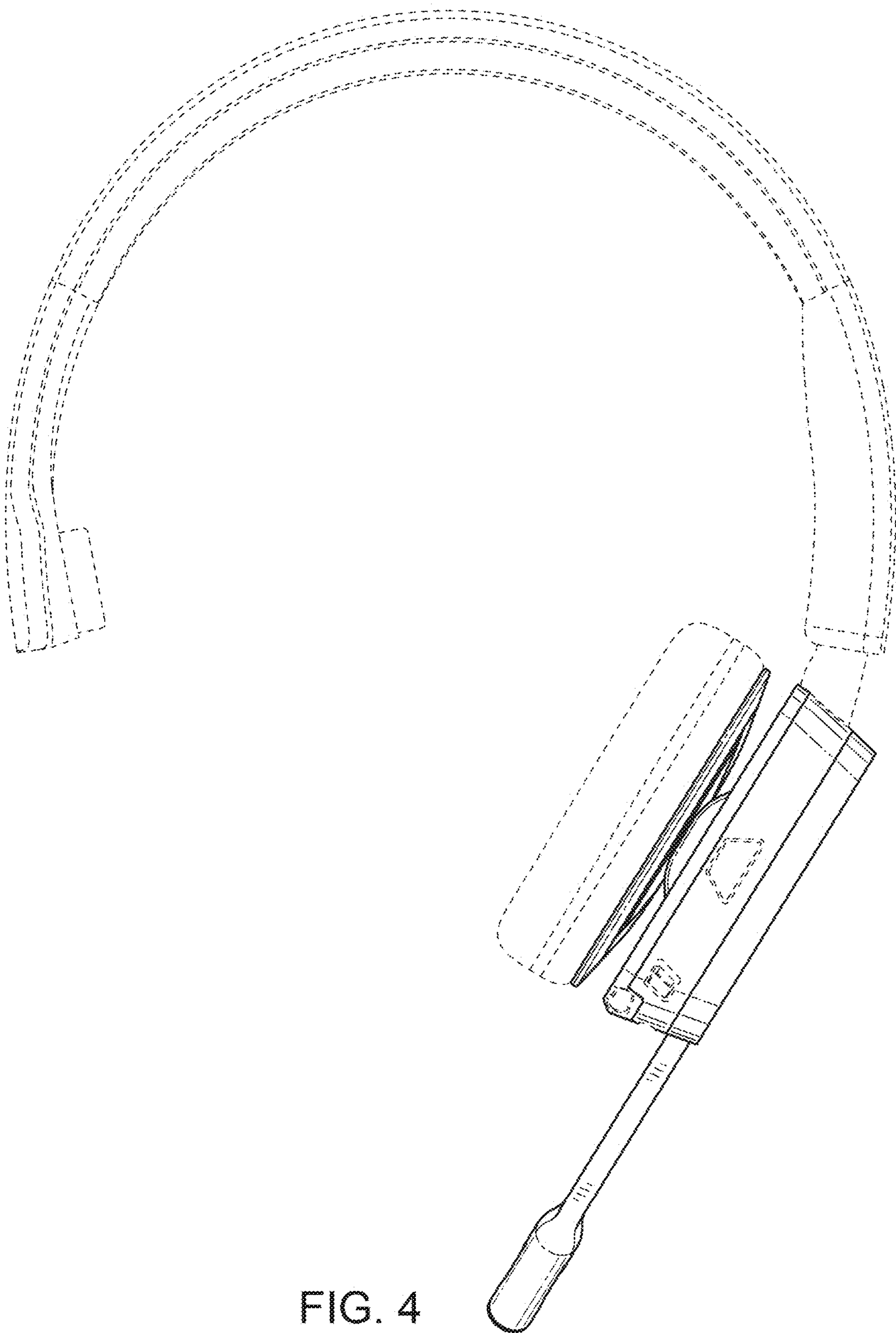


FIG. 4

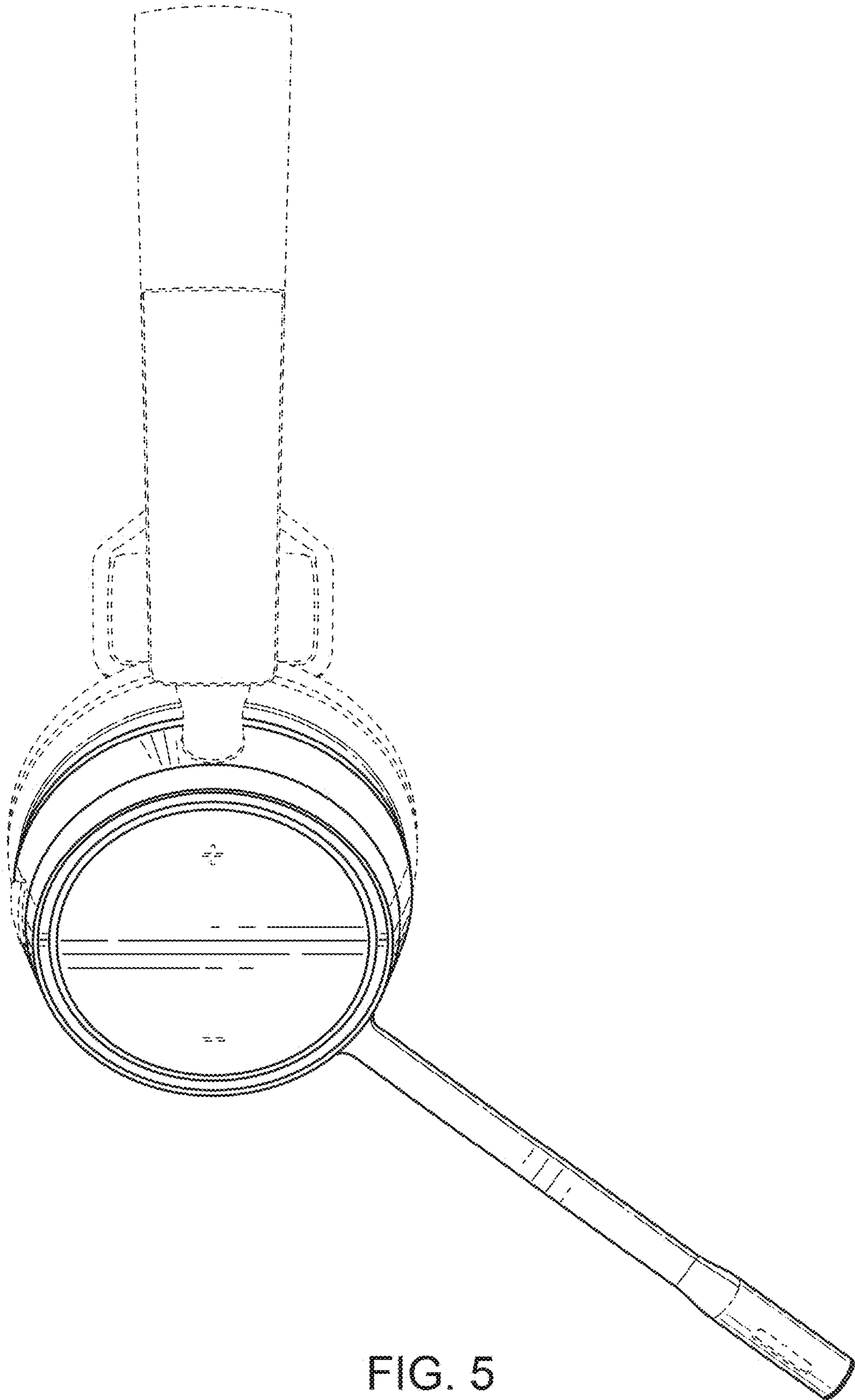


FIG. 5

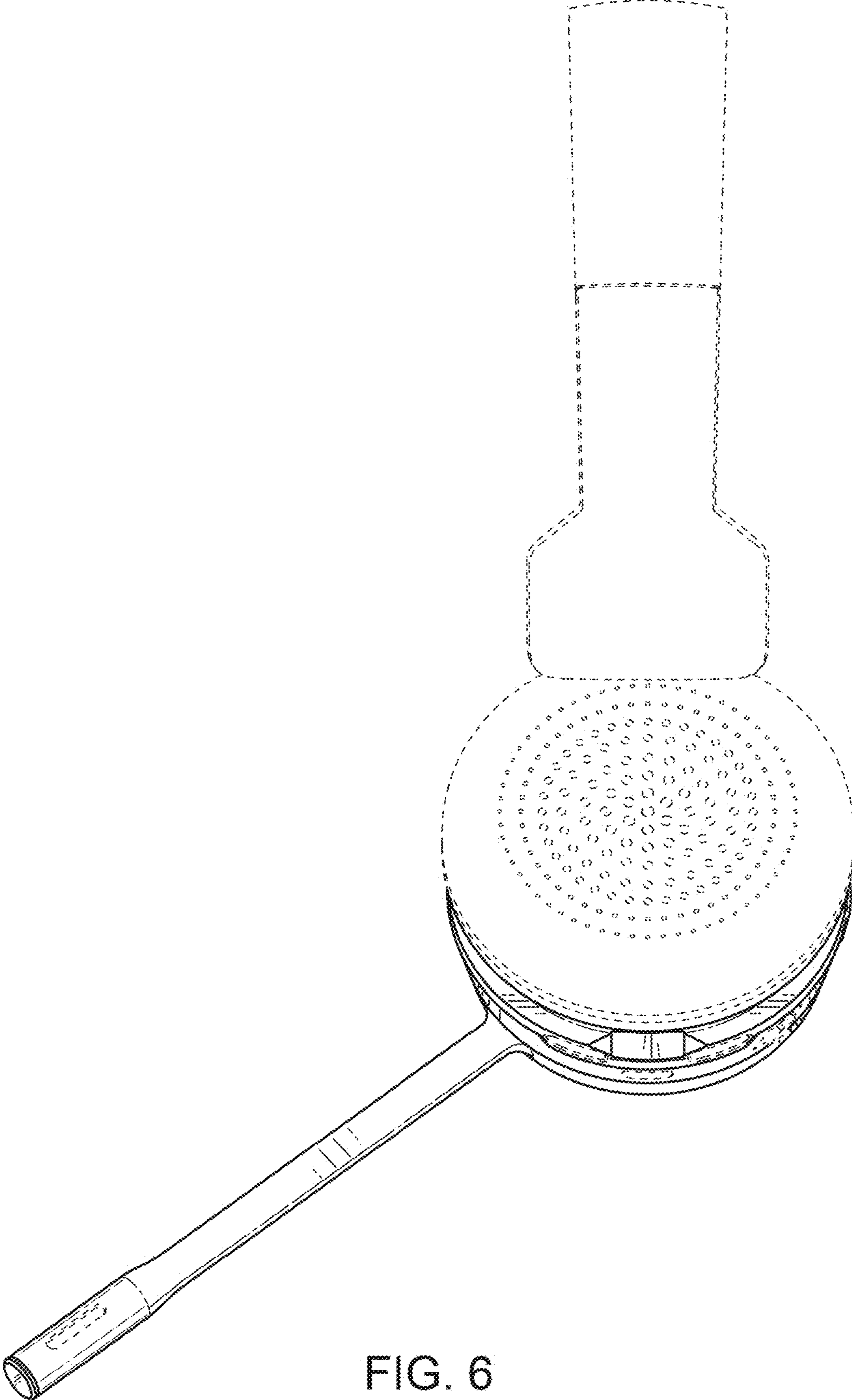


FIG. 6

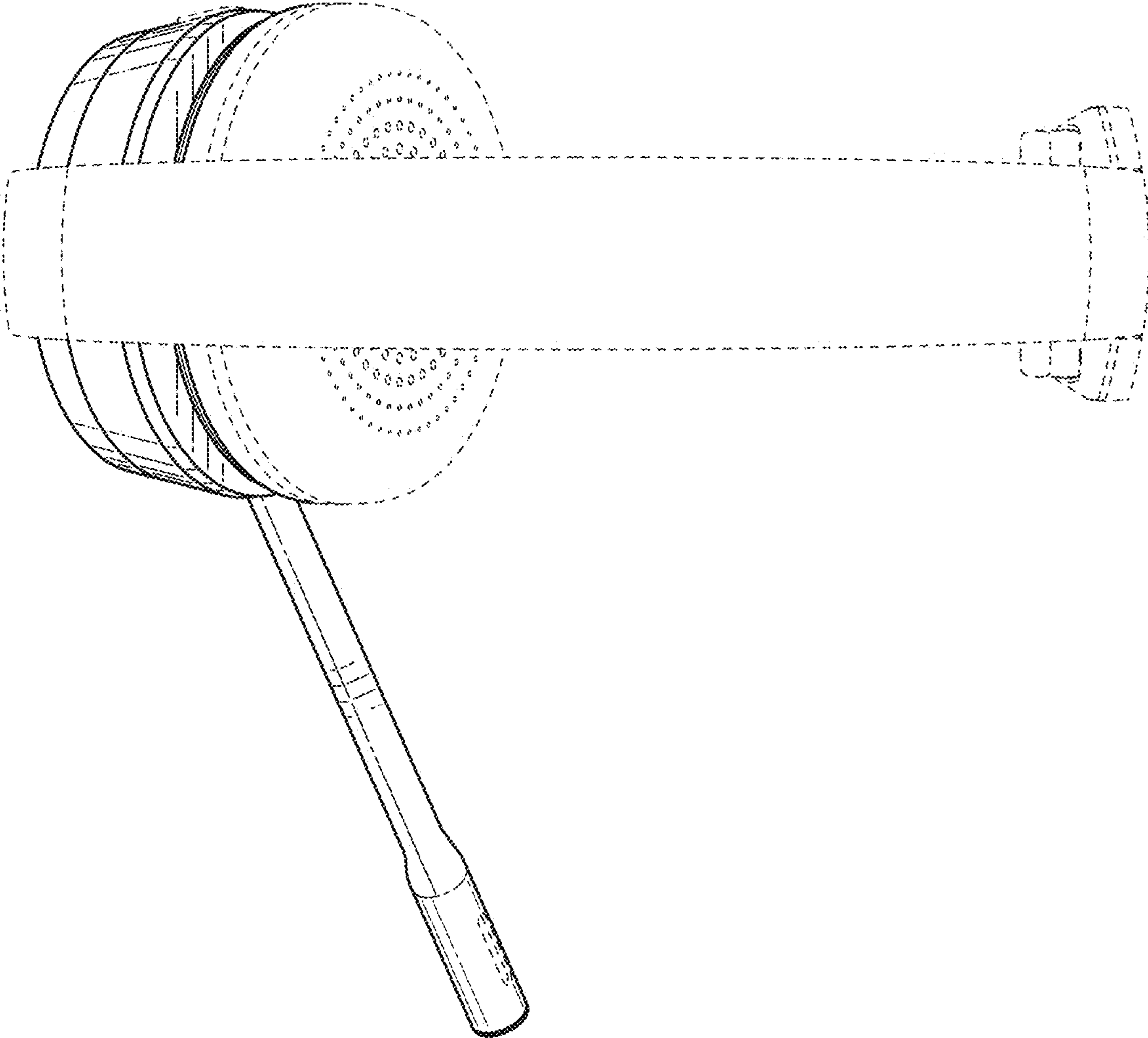


FIG. 7

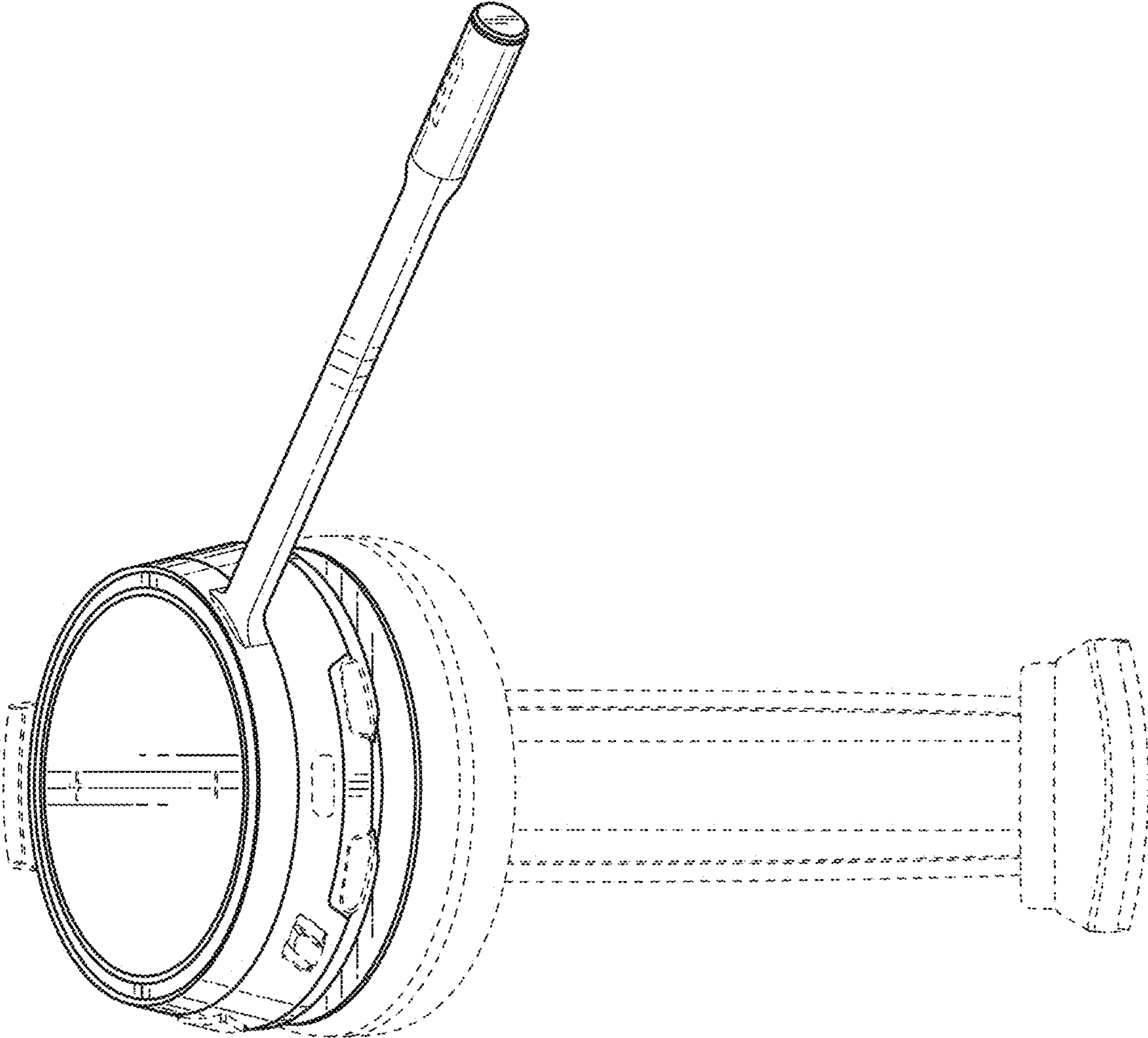


FIG. 8