



US00D885362S

(12) **United States Design Patent**
Huang

(10) **Patent No.:** **US D885,362 S**

(45) **Date of Patent:** **** May 26, 2020**

- (54) **EARPHONES AND CASE**
- (71) Applicant: **HMD Global Oy**, Espoo (FI)
- (72) Inventor: **Chien-Hsin Huang**, Taipei (TW)
- (73) Assignee: **HMD Global Oy**, Espoo (FI)

(**) Term: **15 Years**

(21) Appl. No.: **29/668,993**

(22) Filed: **Nov. 5, 2018**

(30) **Foreign Application Priority Data**

Oct. 18, 2018 (EM) 005802113

(51) **LOC (12) Cl.** **14-01**

(52) **U.S. Cl.**
USPC **D14/205**

(58) **Field of Classification Search**

USPC D14/223, 205; D13/107, 108; D3/218;
D9/415, 424, 924; 181/129, 130, 135;
379/430, 431; 381/380, 381, 374, 323,
381/328; 455/90.3, 575.1, 569.1

CPC H04R 1/1025; H04R 1/10; H04R 1/1016;
H04R 1/1066; H04R 5/033; H04R
5/0335; H04R 1/02

See application file for complete search history.

(56) **References Cited**

U.S. PATENT DOCUMENTS

- D129,291 S * 9/1941 Petzold D28/88
- 2,672,863 A * 3/1954 Leight A61F 11/08
128/867
- 3,859,140 A * 1/1975 Schmidt H01M 2/105
429/99
- 3,983,336 A * 9/1976 Malek H04R 25/402
381/313
- D259,279 S * 5/1981 Takeda D24/106
- 4,671,265 A * 6/1987 Andersson A61F 11/12
128/866

- 5,748,743 A * 5/1998 Weeks H04R 25/654
381/312
- 6,567,527 B1 * 5/2003 Baker H01M 2/0202
381/322
- D481,709 S * 11/2003 Solderits D14/223
- D505,411 S * 5/2005 Sakai D14/192

(Continued)

FOREIGN PATENT DOCUMENTS

- CN 304455031 S 1/2018
- CN 304926291 S 12/2018
- EM 005802113-0001 * 10/2018

Primary Examiner — Paula Allen Greene

(74) *Attorney, Agent, or Firm* — ScienBiziP, P.C.

(57) **CLAIM**

The ornamental design for an earphones earphones and case, as shown and described.

DESCRIPTION

FIG. 1 is a top front perspective view of an earphones earphones and case showing my design;

FIG. 2 is a bottom rear perspective view of the earphones and case of FIG. 1;

FIG. 3 is a front elevation view of the earphones and case of FIG. 1;

FIG. 4 is a rear elevation view of the earphones and case of FIG. 1;

FIG. 5 is a left side elevation view of the earphones and case of FIG. 1;

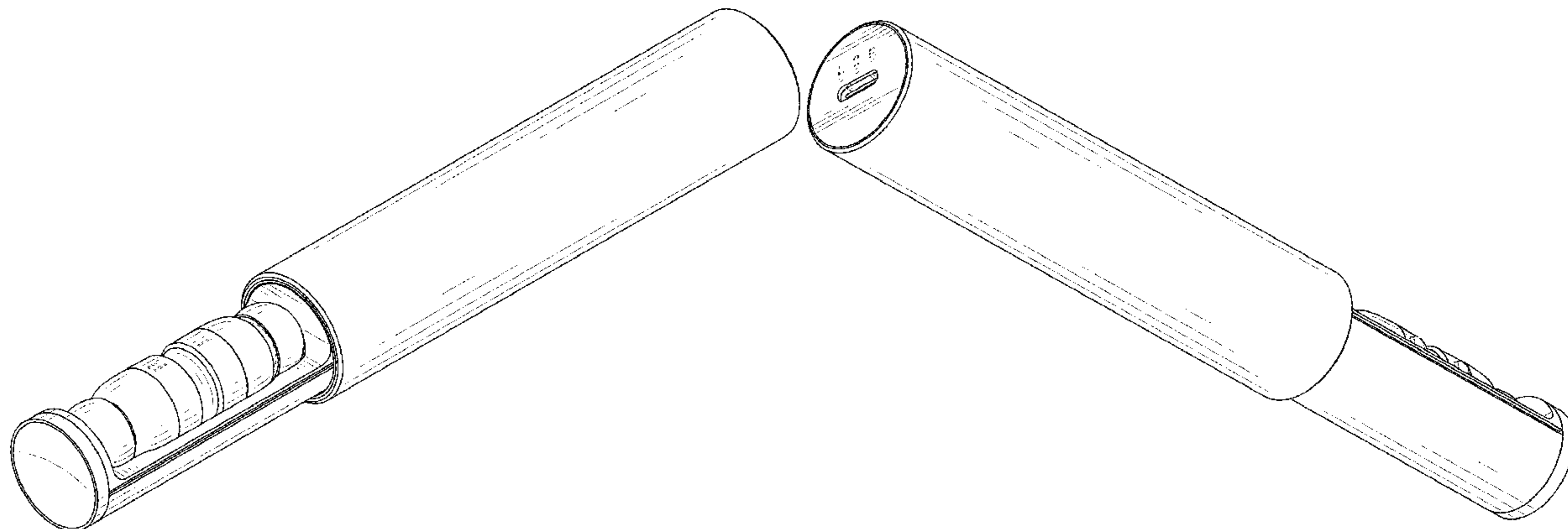
FIG. 6 is a right side elevation view of the earphones and case of FIG. 1;

FIG. 7 is a top plan view of the earphones and case of FIG. 1; and,

FIG. 8 is a bottom plan view of the earphones and case of FIG. 1.

The broken lines in the drawings are for illustrating unclaimed portions of the earphones and case, and form no part of the claimed design.

1 Claim, 8 Drawing Sheets



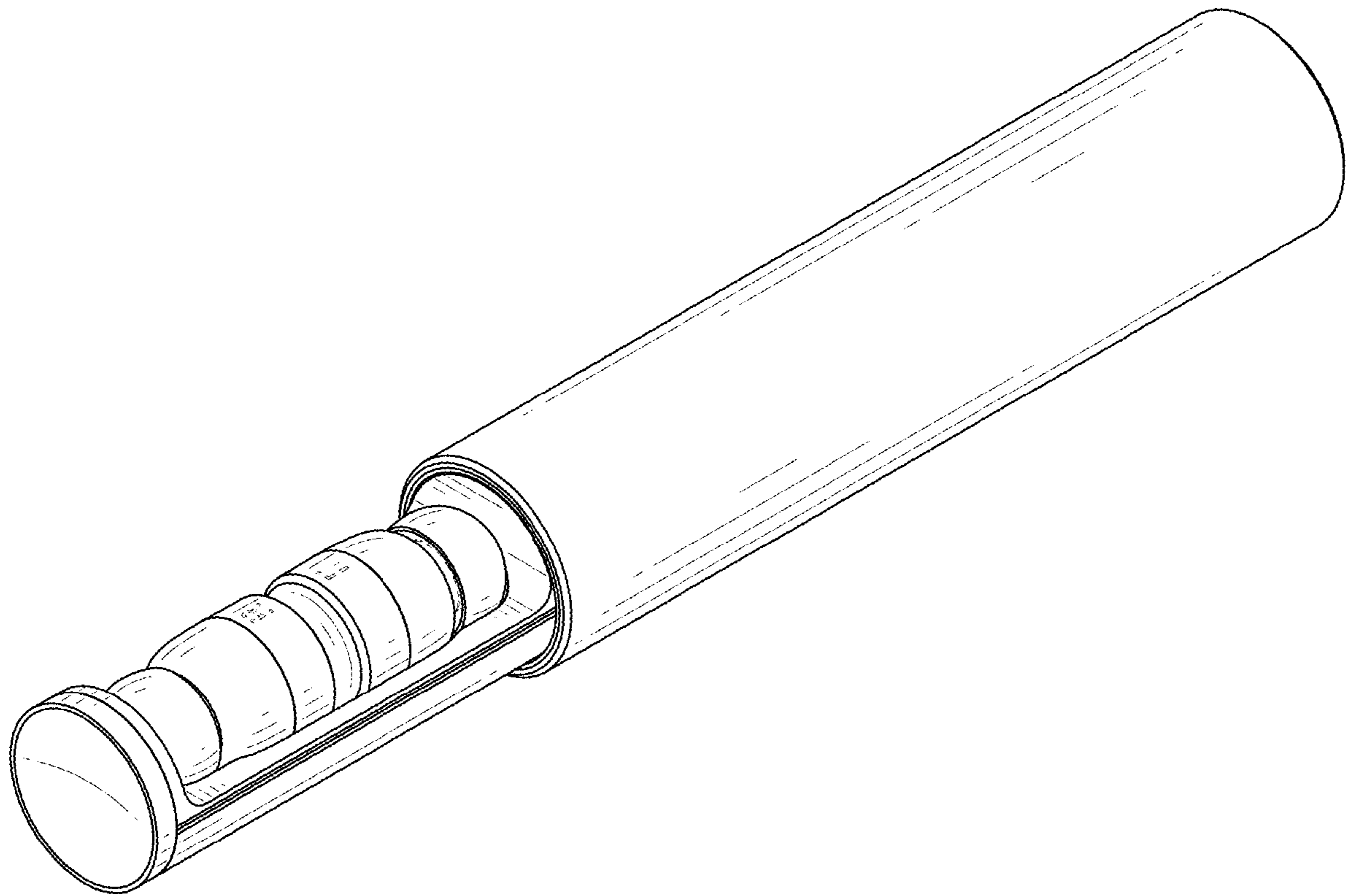


FIG. 1

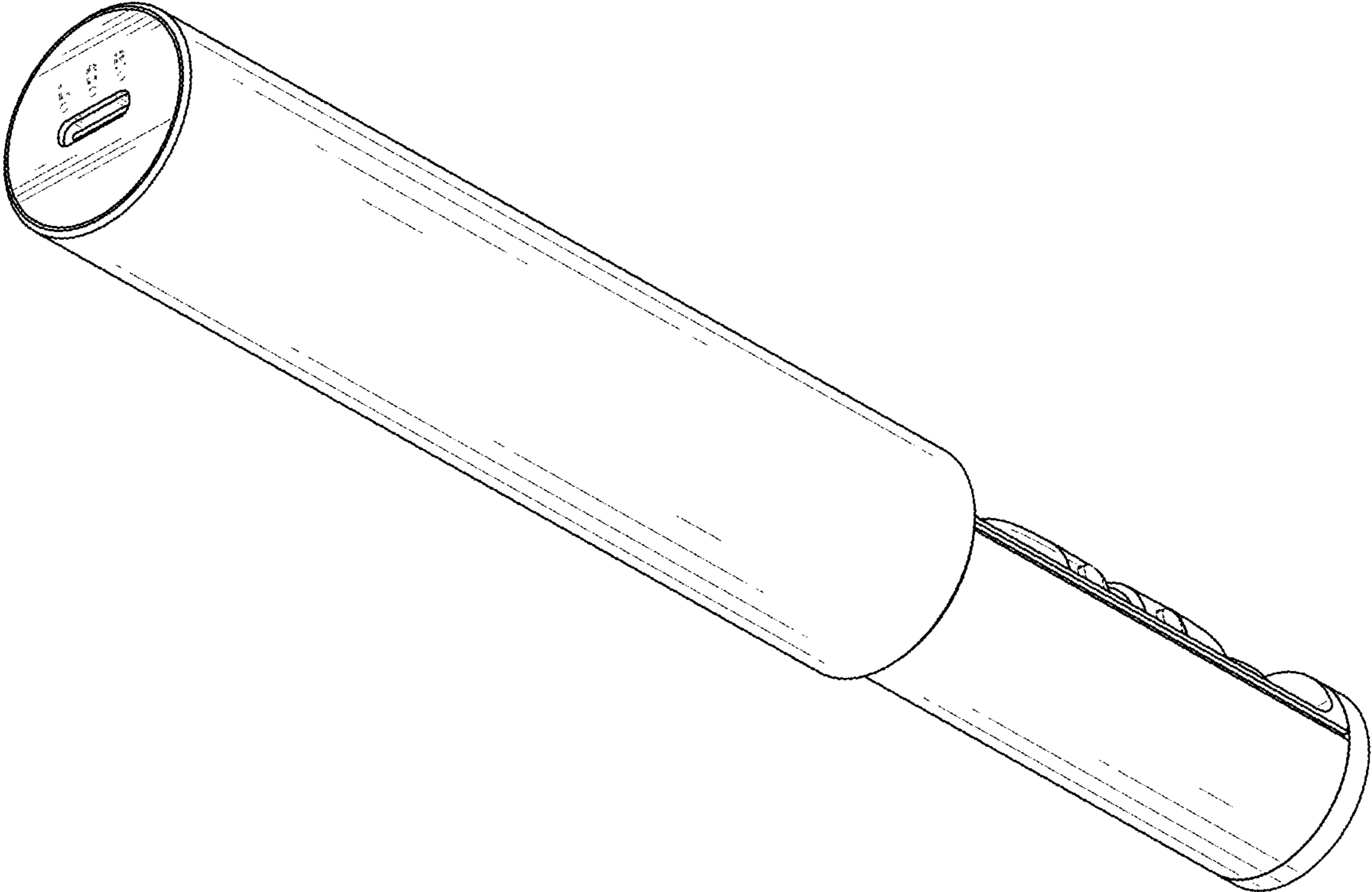


FIG. 2

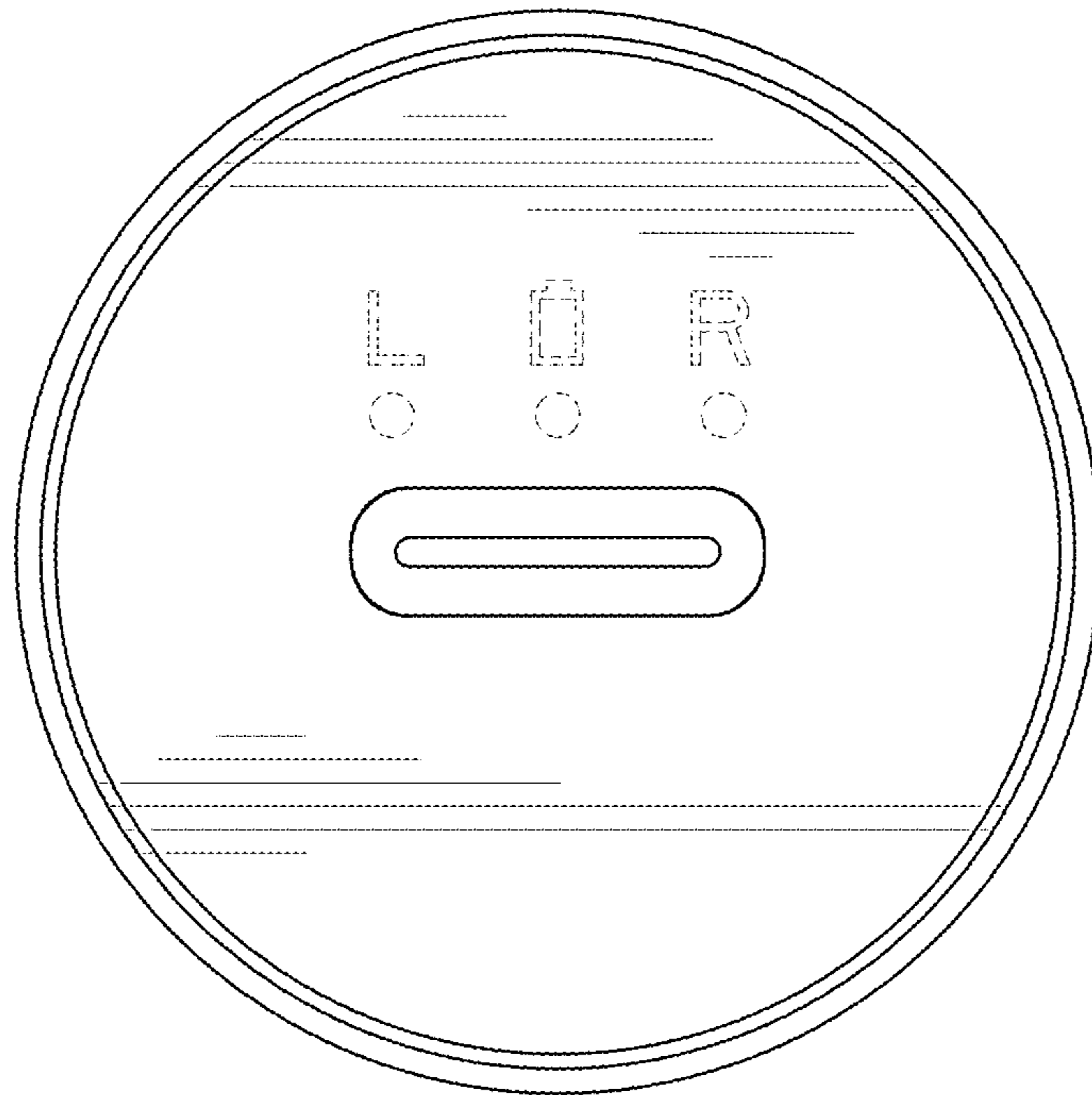


FIG. 3

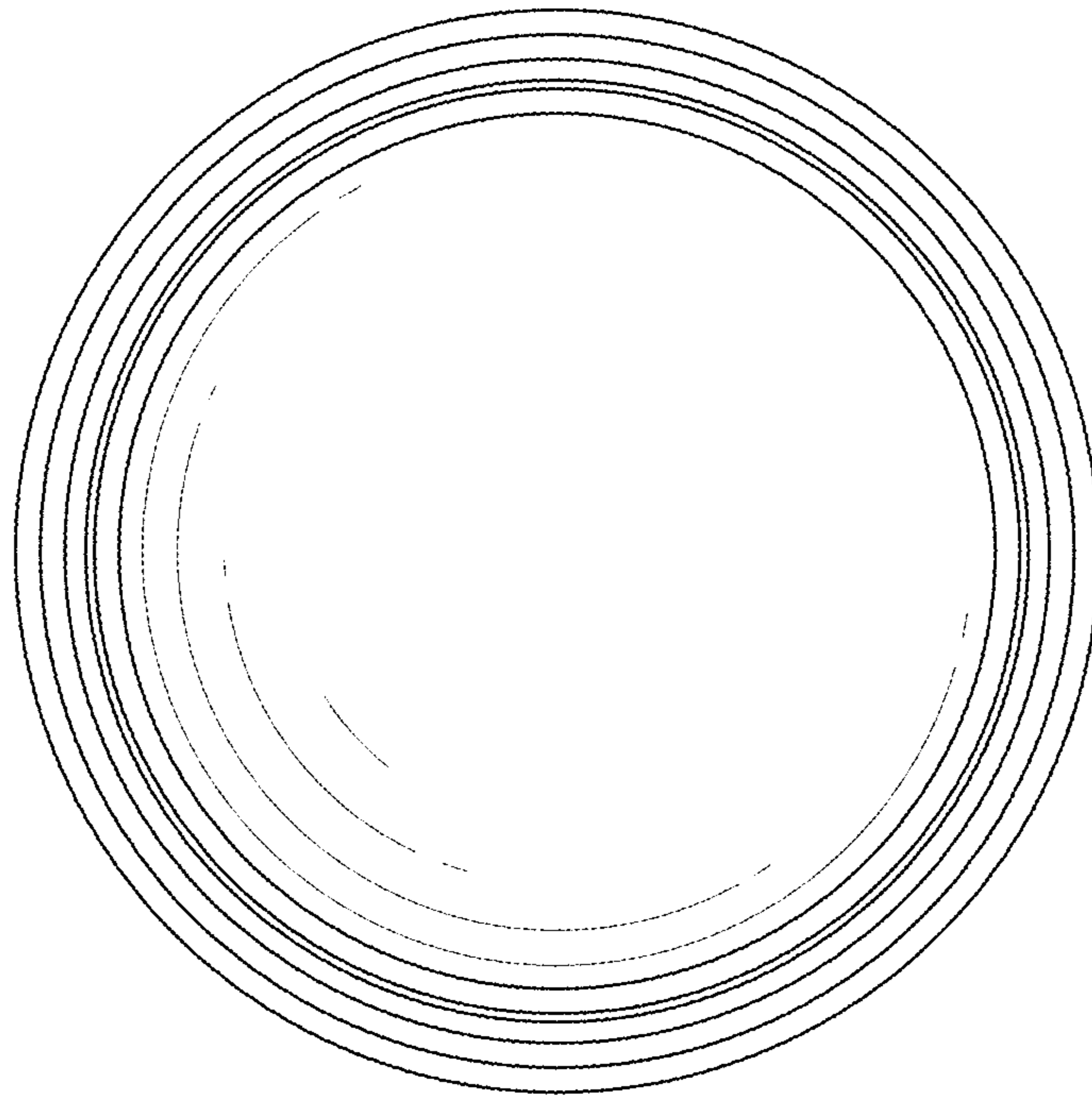


FIG. 4

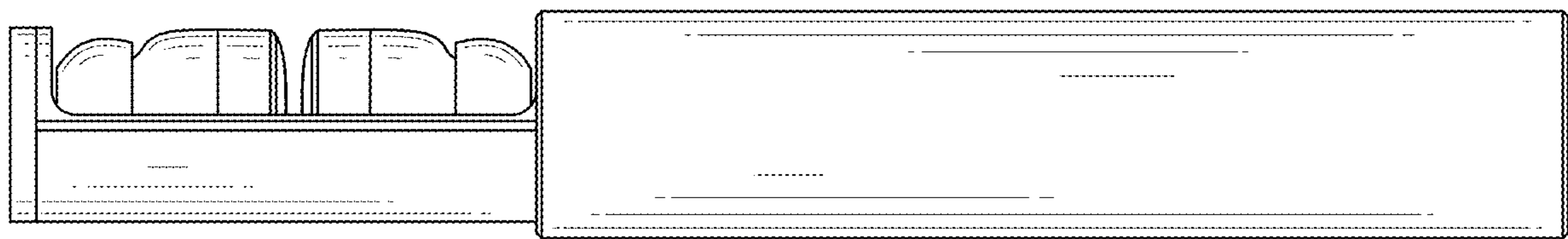


FIG. 5

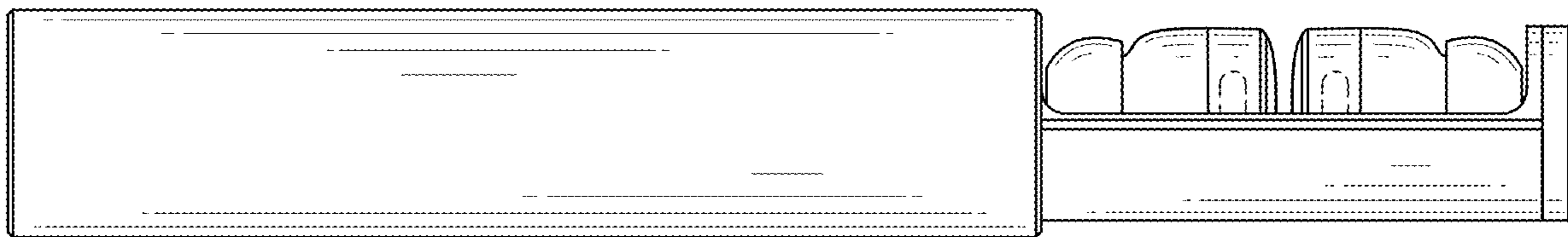


FIG. 6

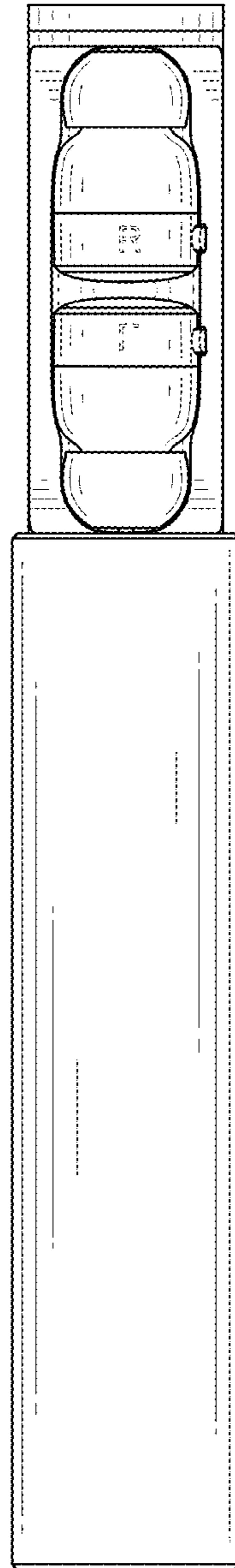


FIG. 7

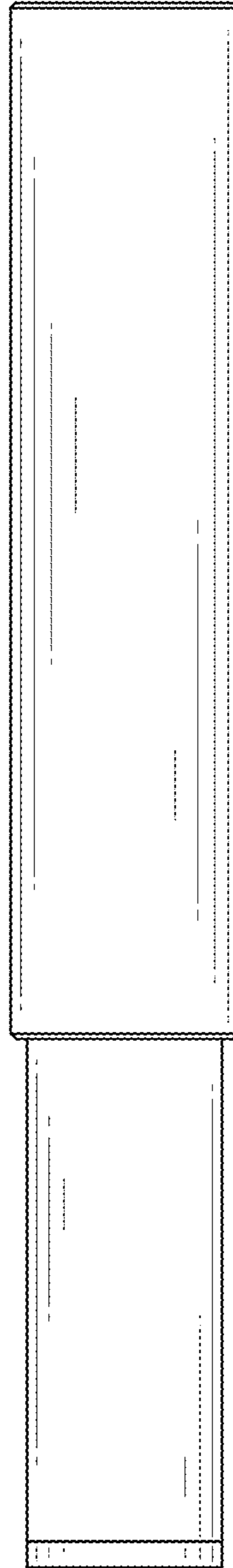


FIG. 8