



US00D885361S

(12) **United States Design Patent** (10) **Patent No.:** **US D885,361 S**  
**Wang** (45) **Date of Patent:** **\*\* May 26, 2020**

(54) **CAR WIRELESS MP3 PLAYER**  
 (71) Applicant: **Weian Wang**, Guangdong (CN)  
 (72) Inventor: **Weian Wang**, Guangdong (CN)  
 (73) Assignee: **Shenzhen GXY Electronic Co., Ltd**,  
 Shenzhen, Guangdong (CN)  
 (\*\*) Term: **15 Years**  
 (21) Appl. No.: **29/676,794**  
 (22) Filed: **Jan. 15, 2019**  
 (51) **LOC (12) Cl.** ..... **14-03**  
 (52) **U.S. Cl.**  
 USPC ..... **D14/155**  
 (58) **Field of Classification Search**  
 USPC ..... D14/167, 154, 168, 188, 496, 156, 160,  
 D14/161, 162, 163, 164, 165, 158, 341,  
 D14/346, 342, 345, 137, 155, 218, 225;  
 D16/208; D26/38; 455/351, 350;  
 D10/104.1, 106, 65  
 CPC .... H04B 1/385; H04M 1/6091; H04M 1/6066  
 See application file for complete search history.

(56) **References Cited**  
 U.S. PATENT DOCUMENTS  
 D711,322 S \* 8/2014 McSweyn ..... D13/144  
 D795,832 S \* 8/2017 Du ..... D14/155

D796,470 S \* 9/2017 Du ..... D14/155  
 D800,684 S \* 10/2017 Xiao ..... D14/155  
 D800,685 S \* 10/2017 Xiao ..... D14/155  
 D805,496 S \* 12/2017 Yin ..... D14/155  
 D808,430 S \* 1/2018 Wang ..... D14/496  
 D808,919 S \* 1/2018 Yin ..... D14/155  
 D808,920 S \* 1/2018 Yin ..... D14/155  
 D820,803 S \* 6/2018 Hu ..... D14/155  
 D836,593 S \* 12/2018 Hu ..... D14/155  
 D840,937 S \* 2/2019 Wang ..... D13/144  
 D864,144 S \* 10/2019 Du ..... D14/155

\* cited by examiner

*Primary Examiner* — Austin Murphy

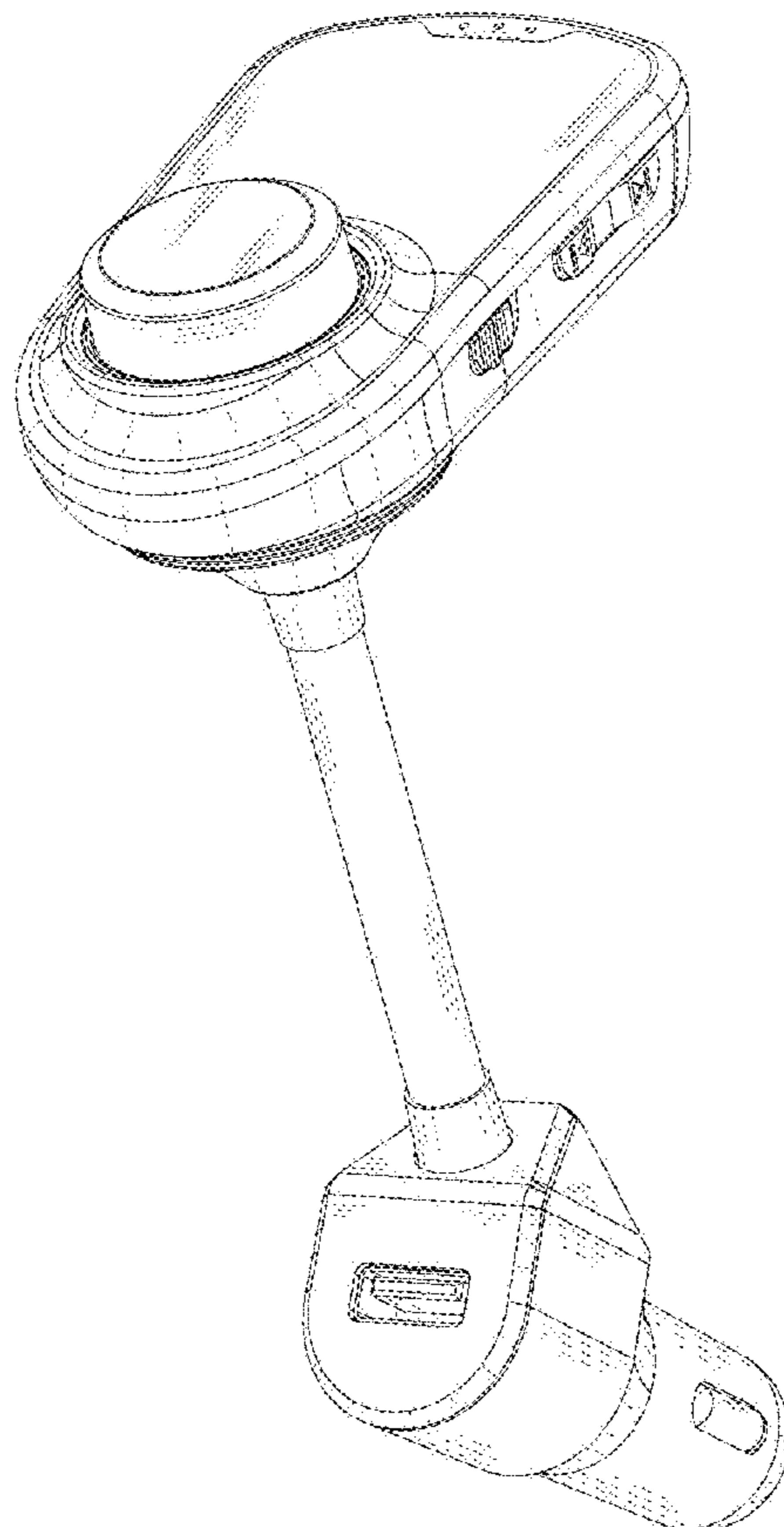
(57) **CLAIM**

The ornamental design for a car wireless MP3 player, as shown and described.

**DESCRIPTION**

FIG. 1 is a front and left side perspective view of a car wireless MP3 player showing my new design;  
 FIG. 2 is a bottom, rear and right side perspective view thereof;  
 FIG. 3 is a front elevation view thereof;  
 FIG. 4 is a rear elevation view thereof;  
 FIG. 5 is a left side elevation view thereof;  
 FIG. 6 is a right side elevation view thereof;  
 FIG. 7 is a top plan view thereof; and,  
 FIG. 8 is a bottom plan view thereof.

**1 Claim, 8 Drawing Sheets**



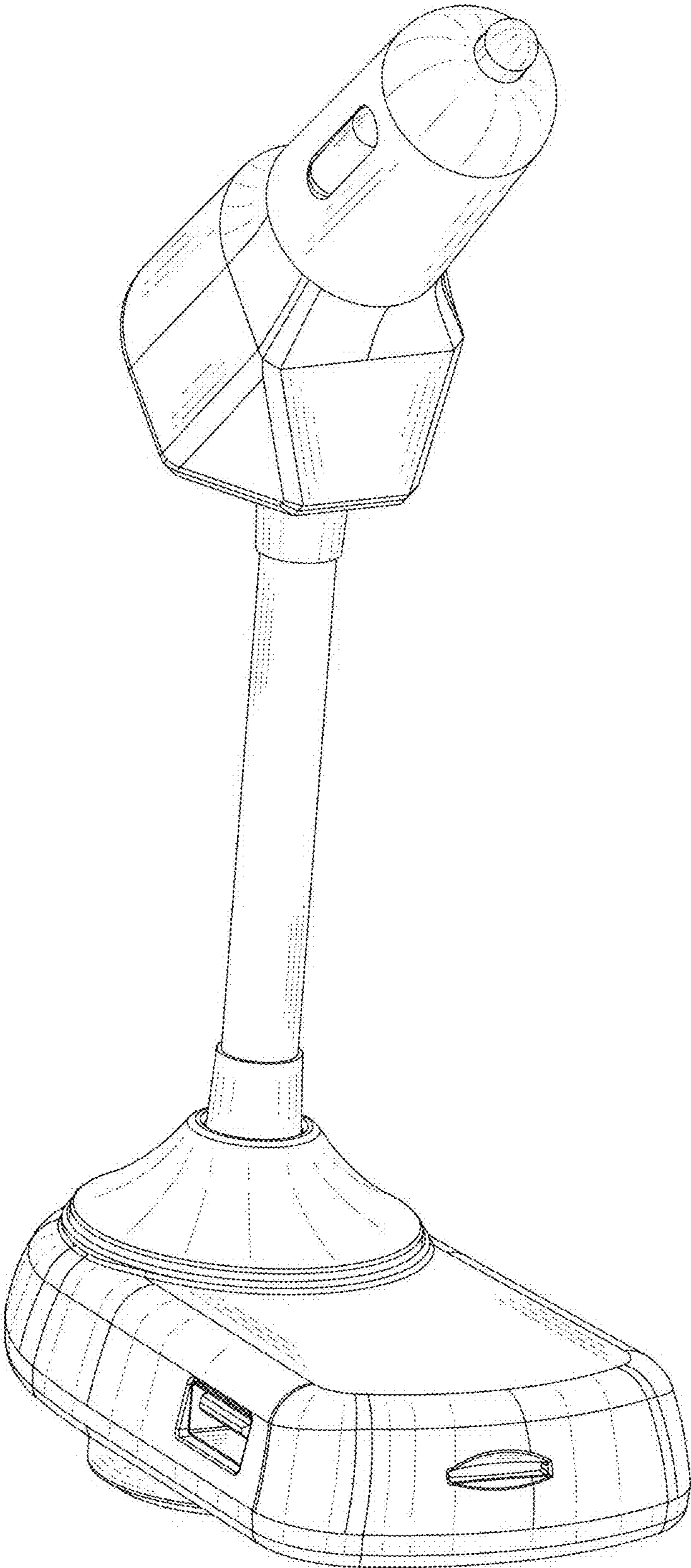


FIG.1

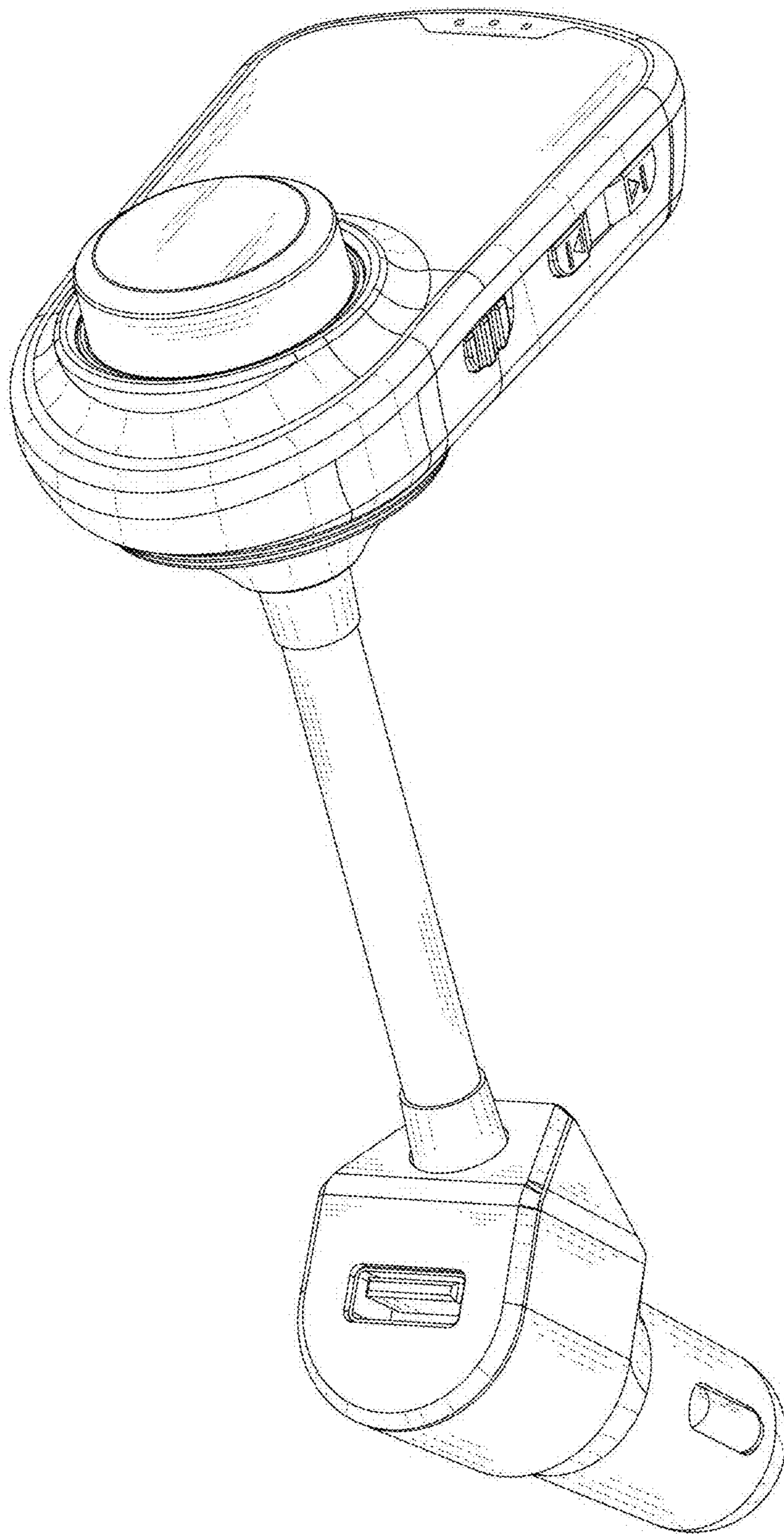


FIG.2

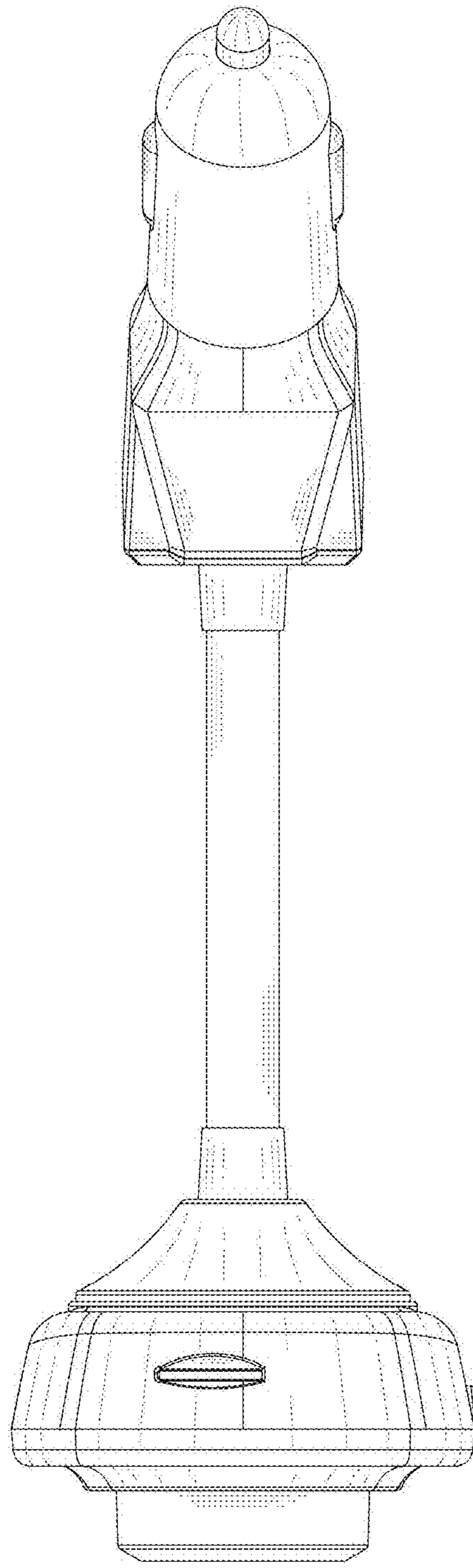


FIG.3

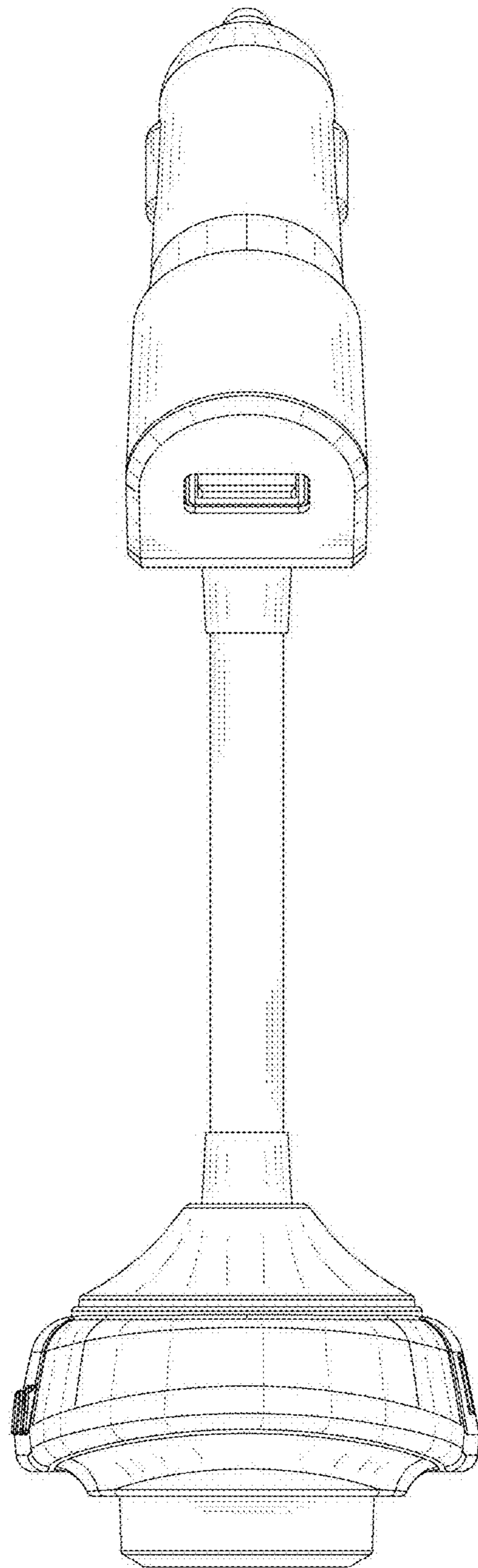


FIG.4

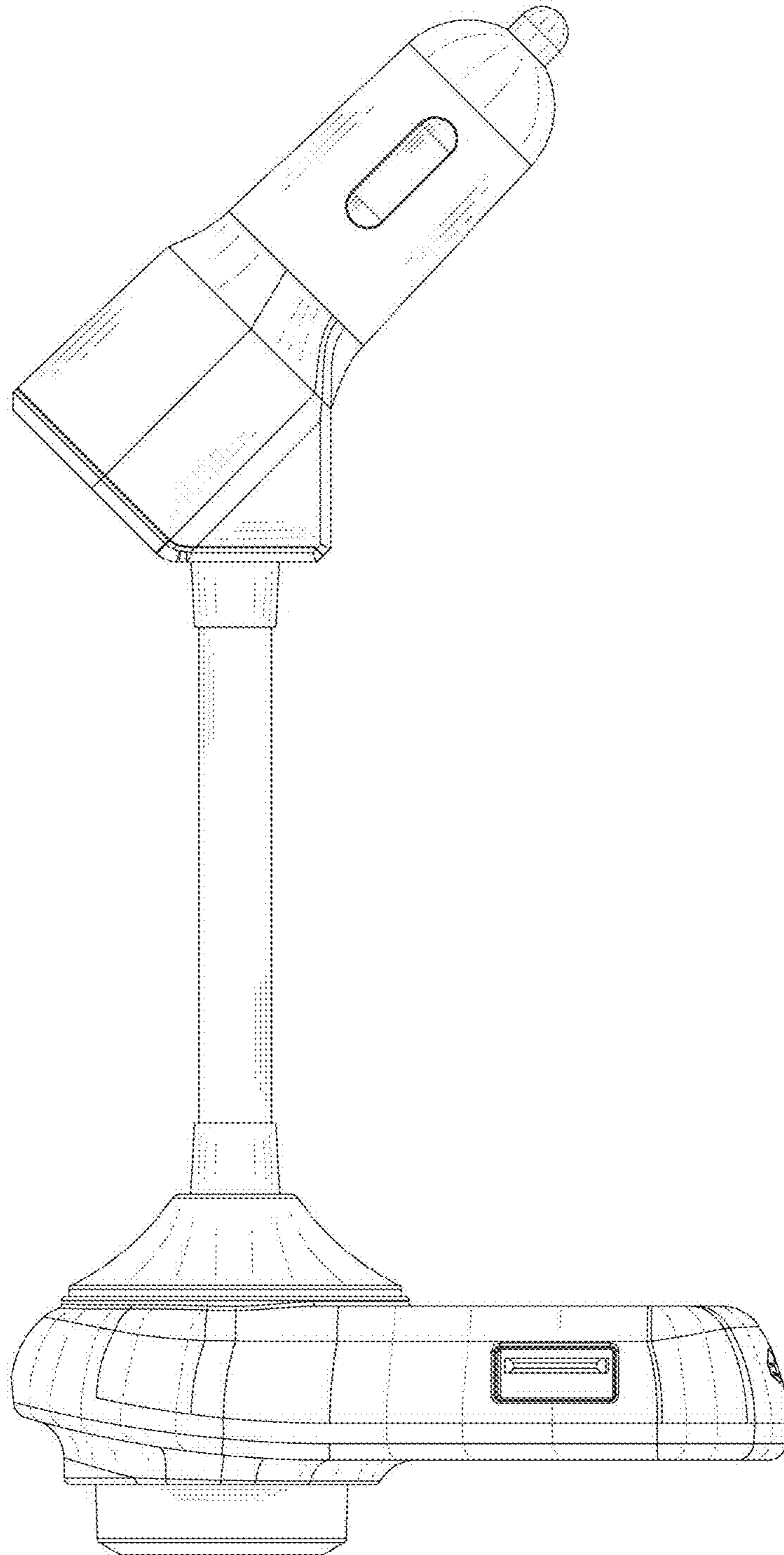


FIG.5

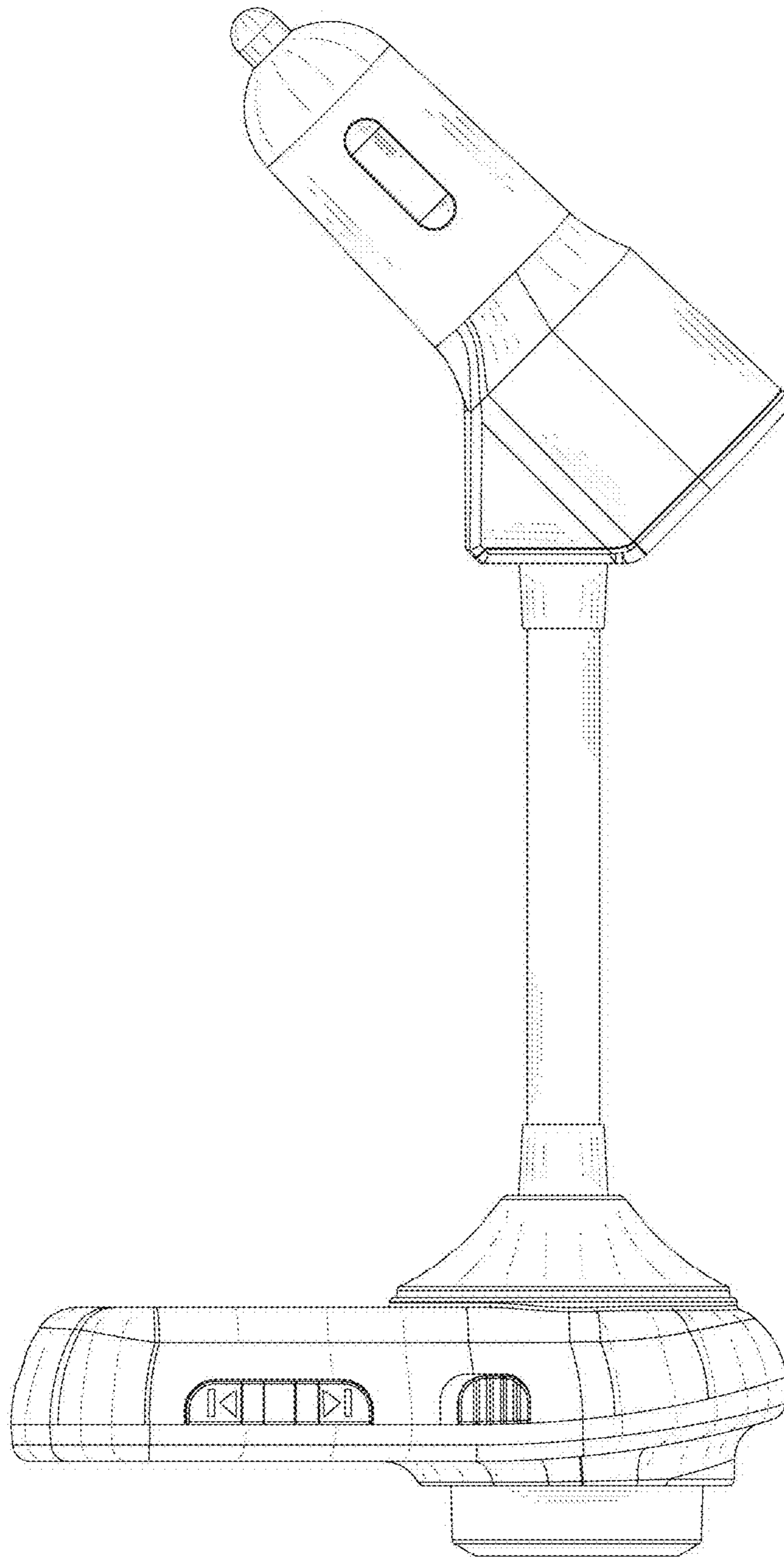


FIG.6

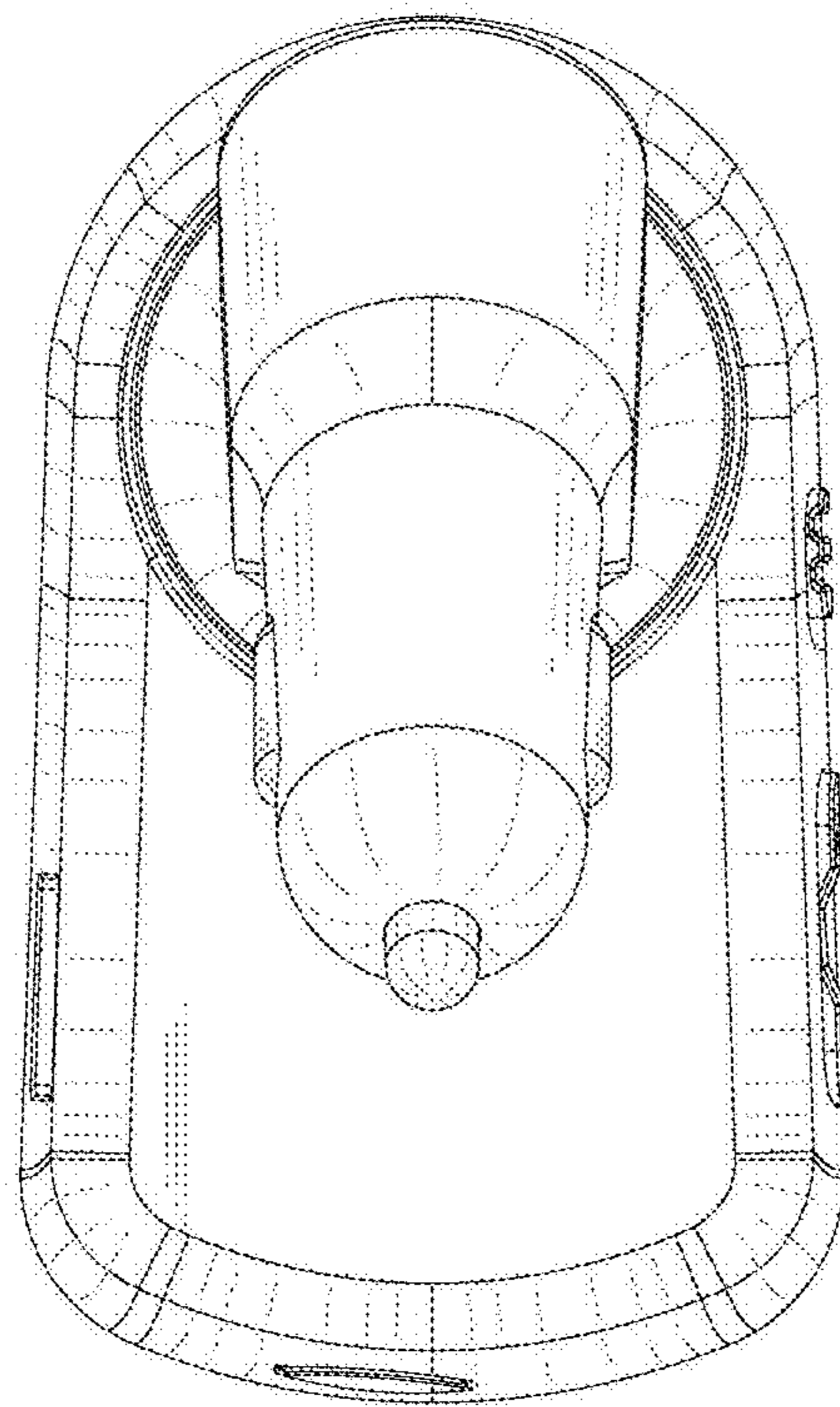


FIG. 7



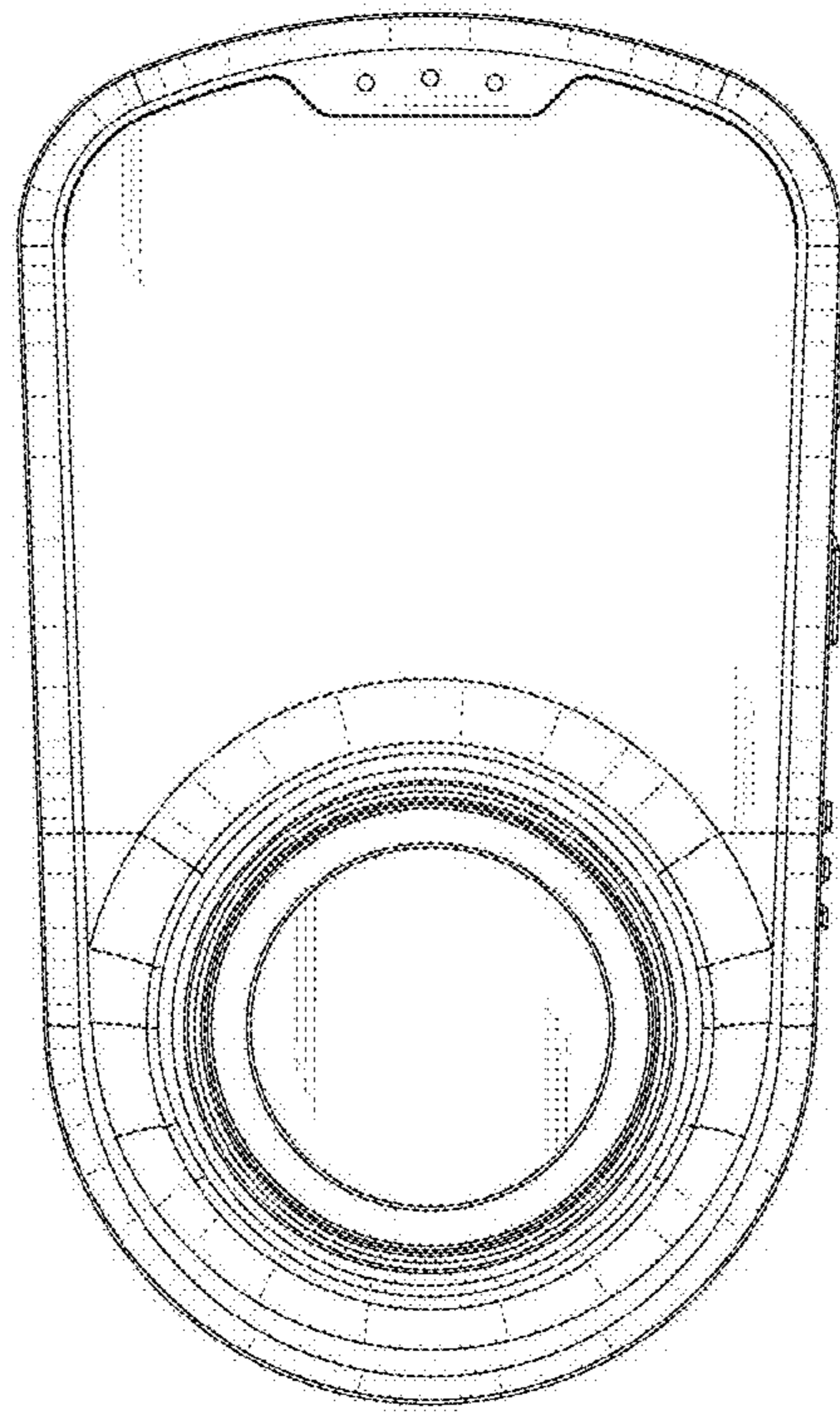


FIG. 8