



US00D885360S

(12) **United States Design Patent** (10) **Patent No.:** **US D885,360 S**  
**Zhang et al.** (45) **Date of Patent:** **\*\* May 26, 2020**

(54) **NETWORK CONFERENCE TELEPHONE APPARATUS**

(71) Applicant: **YEALINK (XIAMEN) NETWORK TECHNOLOGY CO., LTD.**, Xiamen, Fujian (CN)

(72) Inventors: **Jian Cheng Zhang**, Fujian (CN); **Wei Cen Xu**, Fujian (CN); **Chun Sheng Su**, Fujian (CN); **Jing Feng Su**, Fujian (CN); **Lian Chang Zhang**, Fujian (CN); **Ji Wei Zhou**, Fujian (CN)

(73) Assignee: **YEALINK (XIAMEN) NETWORK TECHNOLOGY CO., LTD.**, Xiamen (CN)

(\*\*) Term: **15 Years**

(21) Appl. No.: **29/617,476**

(22) Filed: **Sep. 14, 2017**

(30) **Foreign Application Priority Data**

Jun. 19, 2017 (CN) ..... 2017 3 0251942

(51) **LOC (12) Cl.** ..... **14-03**

(52) **U.S. Cl.**  
USPC ..... **D14/149**; D14/211

(58) **Field of Classification Search**  
USPC ..... D14/140, 140.1, 141.1, 142, 144, 147, D14/149, 150, 155, 168, 172, 204, 206,  
(Continued)

(56) **References Cited**

**U.S. PATENT DOCUMENTS**

D311,541 S \* 10/1990 Carre ..... 379/420.01  
D327,479 S \* 6/1992 Britz ..... D14/225  
(Continued)

**OTHER PUBLICATIONS**

Speakerphones. (Design—© Questel) orbit.com.[online PDF] 89 pgs. Print Dates Range Apr. 20, 1988 through Nov. 21, 2017 [Retrieved on Jan. 31, 2019] <https://sobjprd.questel.fr/export/QPTUJ214/pdf2/1e868d53-d663-4454-91b1-5ab358883e21-021417.pdf>.\*

*Primary Examiner* — Marie D. Fast Horse

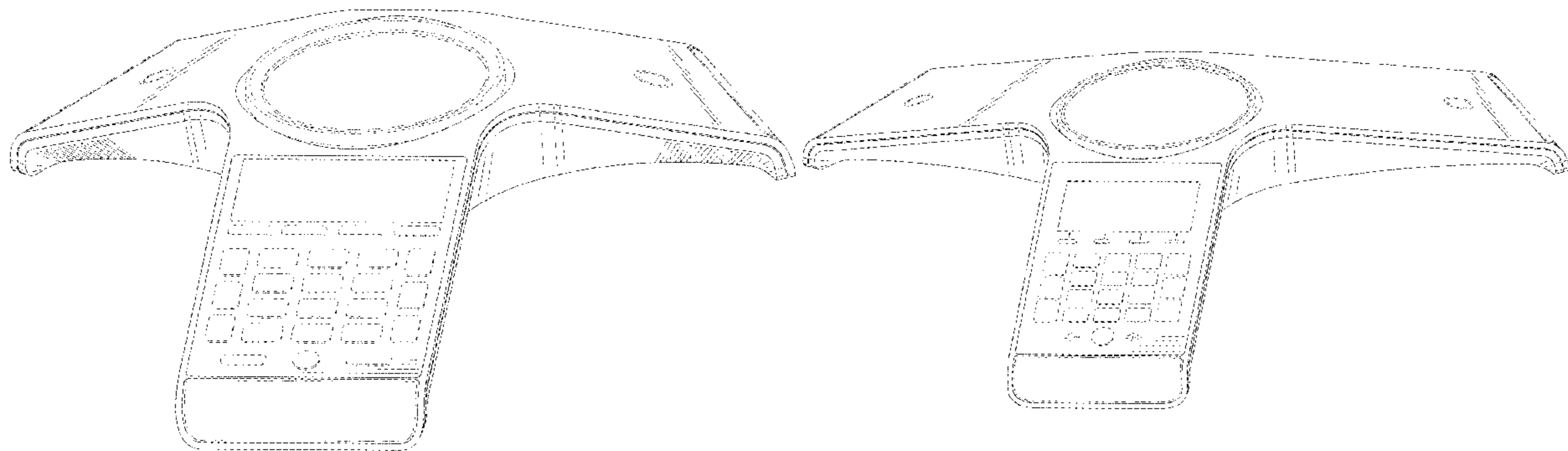
(57) **CLAIM**

The ornamental design for a network conference telephone apparatus, as shown and described.

**DESCRIPTION**

FIG. 1 is a perspective view of a network conference telephone apparatus showing our new design; FIG. 2 is a front elevational view thereof; FIG. 3 is a rear elevational view thereof; FIG. 4 is a left side view thereof; FIG. 5 is a right side view thereof; FIG. 6 is a top plan view thereof; FIG. 7 is a bottom plan view thereof; FIG. 8 is a perspective view of a second embodiment of a network conference telephone apparatus showing our new design; FIG. 9 is a front elevational view thereof; FIG. 10 is a rear elevational view thereof; FIG. 11 is a left side view thereof; FIG. 12 is a right side view thereof; FIG. 13 is a top plan view thereof; and, FIG. 14 is a bottom plan view thereof. The dash-dot lines define the boundary of the claim, which extends to the boundary but does not include the boundary. All other broken lines in the drawings depict portions of the network conference telephone apparatus that form no part of the claim design. Surfaces shown between the broken lines solid lines form no part of the claim.

**1 Claim, 14 Drawing Sheets**



(58) **Field of Classification Search**

USPC ... D14/209.1, 212, 213, 215, 216, 248, 249,  
 D14/299, 496, 226, 356, 358, 432, 454,  
 D14/192, 221, 127-130, 211; D10/104.1,  
 D10/106.1, 106.3, 106.5  
 CPC ..... H04M 1/00; H04M 1/026; H04M 1/04;  
 H04M 1/6033; H04M 1/60041; H04M  
 3/02; H04M 3/005; H04M 3/56; H04M  
 3/564; H04M 3/568; H04M 9/02; H04M  
 9/022; H04M 9/08; H04R 1/00; H04R  
 1/02; H04R 1/403; H04R 1/406; H04R  
 27/00

See application file for complete search history.

(56) **References Cited**

U.S. PATENT DOCUMENTS

D342,732 S \* 12/1993 Hinman ..... D14/150  
 D382,266 S \* 8/1997 Wakefield ..... D14/150  
 D403,328 S \* 12/1998 Wakefield ..... D14/229  
 D406,841 S \* 3/1999 Myung ..... D14/150  
 D411,995 S \* 7/1999 Chen ..... D14/150  
 D431,236 S \* 9/2000 Read ..... D14/149  
 D434,747 S \* 12/2000 Bird ..... D14/150  
 D439,538 S \* 3/2001 Lynch ..... D10/106.2  
 D449,285 S \* 10/2001 Wakefield ..... D14/150  
 D449,286 S \* 10/2001 Wakefield ..... D14/150  
 D457,150 S \* 5/2002 Chen ..... D14/150  
 D461,179 S \* 8/2002 Christianson ..... D14/141.1  
 D473,546 S \* 4/2003 Hovanky ..... D14/217  
 D478,560 S \* 8/2003 Misrahi ..... D14/150  
 D480,059 S \* 9/2003 Misrahi ..... D14/150  
 D481,371 S \* 10/2003 Chen ..... D14/150  
 D487,076 S \* 2/2004 Nakane ..... D14/216

D488,794 S \* 4/2004 Chen ..... D14/150  
 D491,909 S \* 6/2004 Sun ..... D14/150  
 D542,273 S \* 5/2007 Park ..... D14/215  
 D556,179 S \* 11/2007 Chang ..... D14/150  
 D557,675 S \* 12/2007 Diebel ..... D14/149  
 D557,676 S \* 12/2007 Suzuki ..... D14/149  
 D571,776 S \* 6/2008 Duys ..... D14/150  
 D579,911 S \* 11/2008 Wei ..... D14/155  
 D586,743 S \* 2/2009 Guccione ..... D13/107  
 D603,373 S \* 11/2009 Jiang ..... D14/215  
 D620,916 S \* 8/2010 Wada ..... D14/149  
 D635,955 S \* 4/2011 Corrigan ..... D14/149  
 D640,227 S \* 6/2011 Wada ..... D14/149  
 D685,755 S \* 7/2013 Shin ..... D14/142  
 D688,225 S \* 8/2013 Somoza ..... D14/142  
 D714,258 S \* 9/2014 Montague ..... D14/221  
 D723,461 S \* 3/2015 Chen ..... D13/108  
 D760,201 S \* 6/2016 Tompkin ..... H04M 1/02  
 D14/221  
 RE46,940 E \* 7/2018 Tompkin ..... H04M 1/02  
 D14/221  
 10,015,589 B1 \* 7/2018 Ebenezer ..... H04R 3/005  
 D832,262 S \* 10/2018 Kato ..... D14/433  
 D834,565 S \* 11/2018 Sarrasin ..... D14/227  
 RE47,282 E \* 3/2019 Tompkin ..... H04M 1/02  
 D14/221  
 D846,524 S \* 4/2019 Lai ..... D14/149  
 D864,159 S \* 10/2019 Ding ..... D14/211  
 2003/0053620 A1 \* 3/2003 Chen ..... H04M 1/02  
 379/447  
 2009/0268899 A1 \* 10/2009 Tokuda ..... H04M 1/6033  
 379/420.02  
 2012/0058754 A1 \* 3/2012 Couse ..... H04M 1/7253  
 455/416  
 2016/0050489 A1 \* 2/2016 Lashkari ..... H04M 9/08  
 381/66

\* cited by examiner

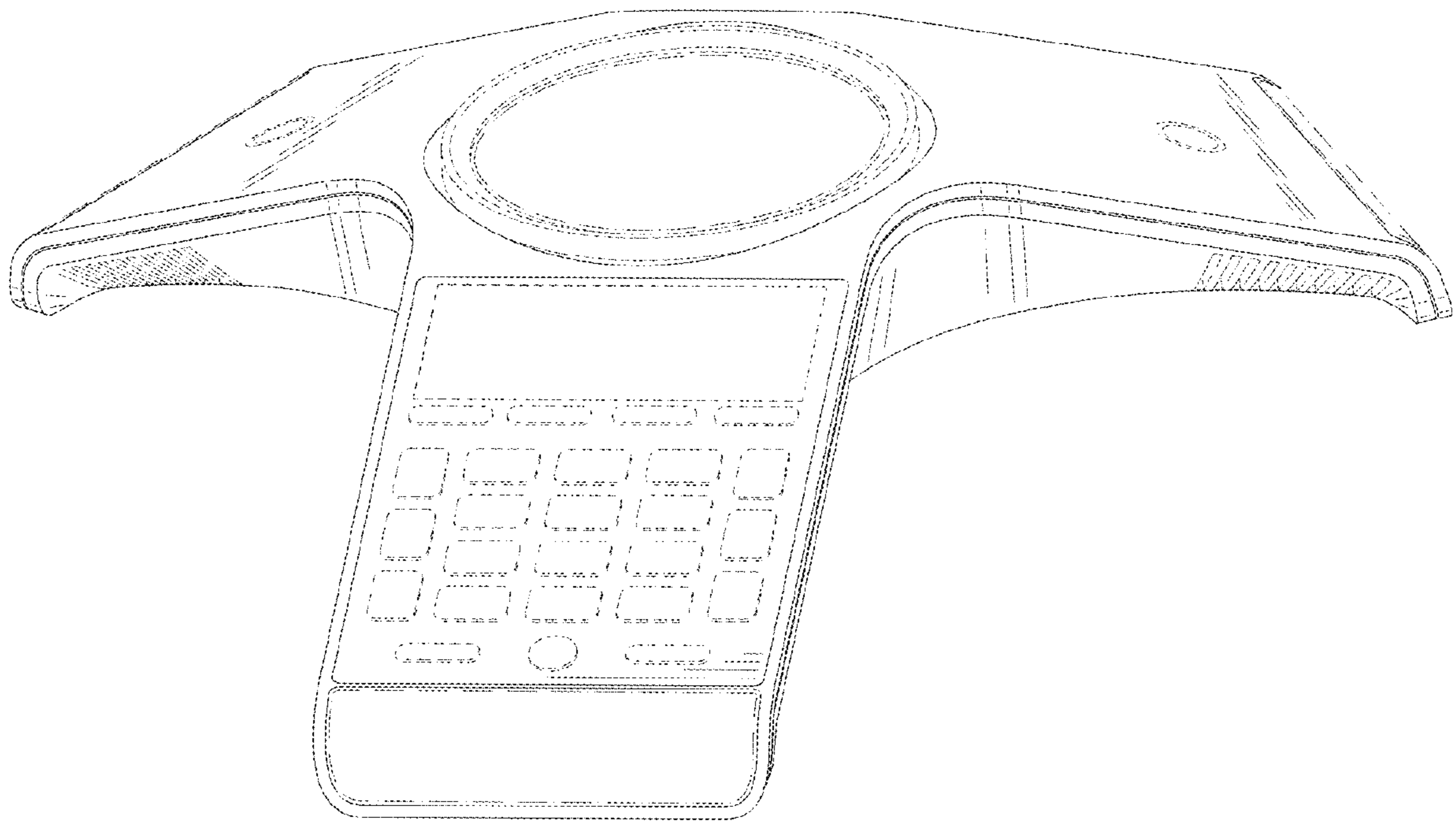


FIG. 1

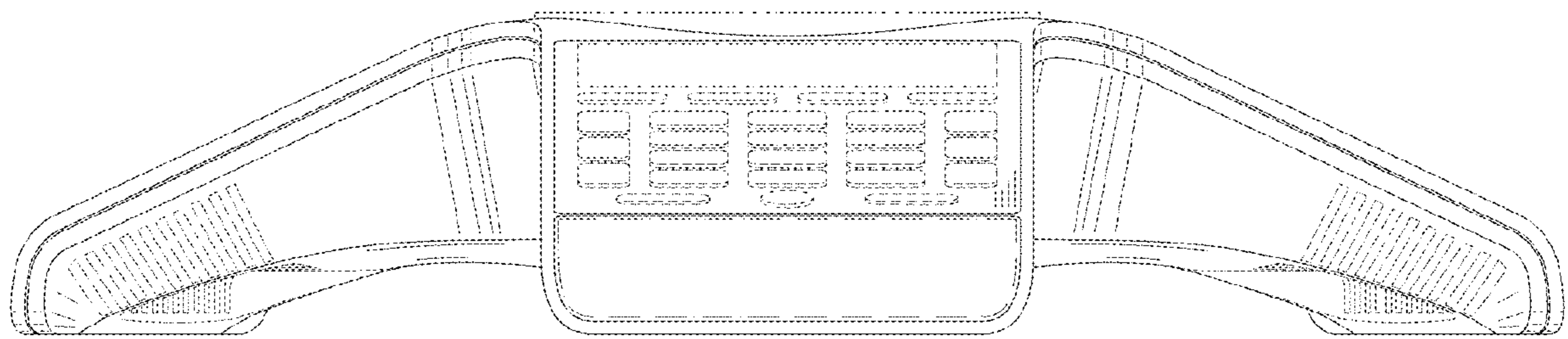


FIG. 2

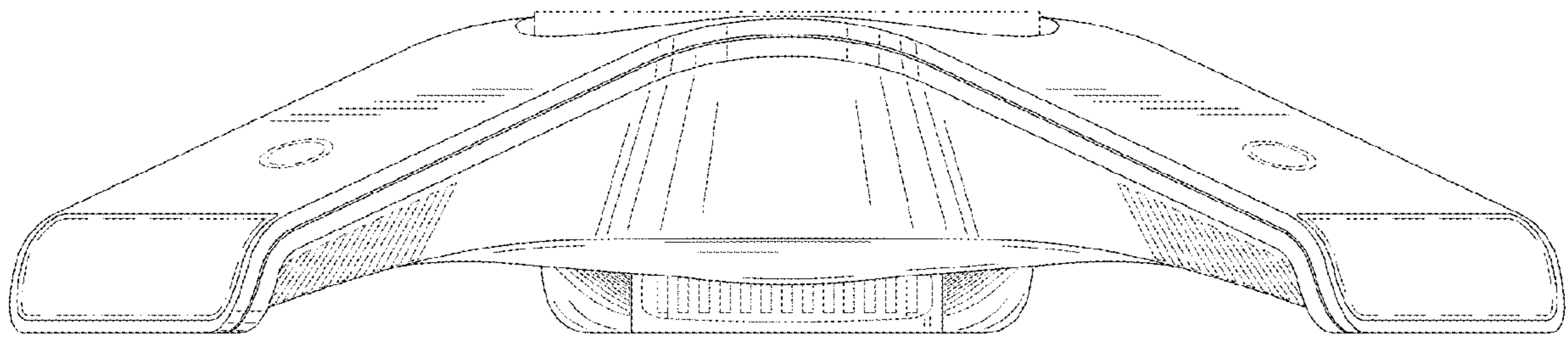


FIG. 3

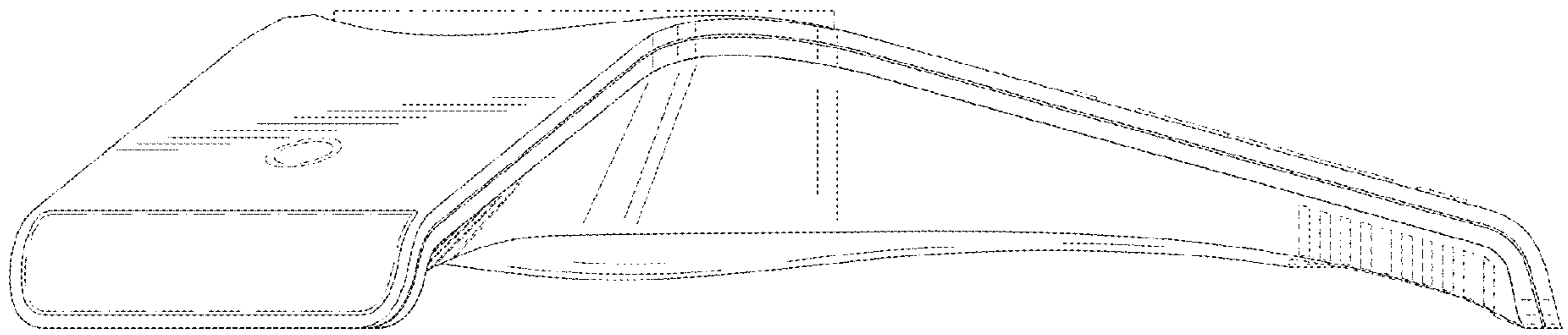


FIG. 4

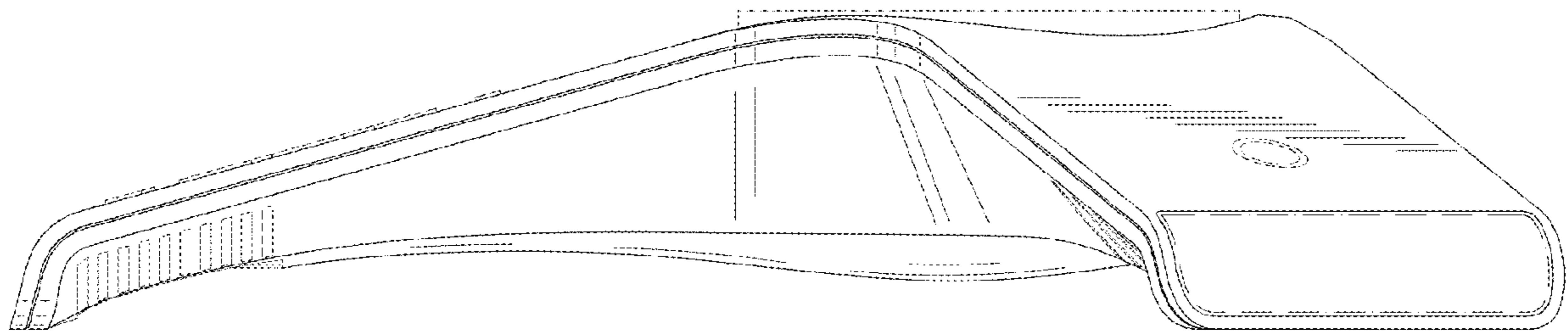


FIG. 5

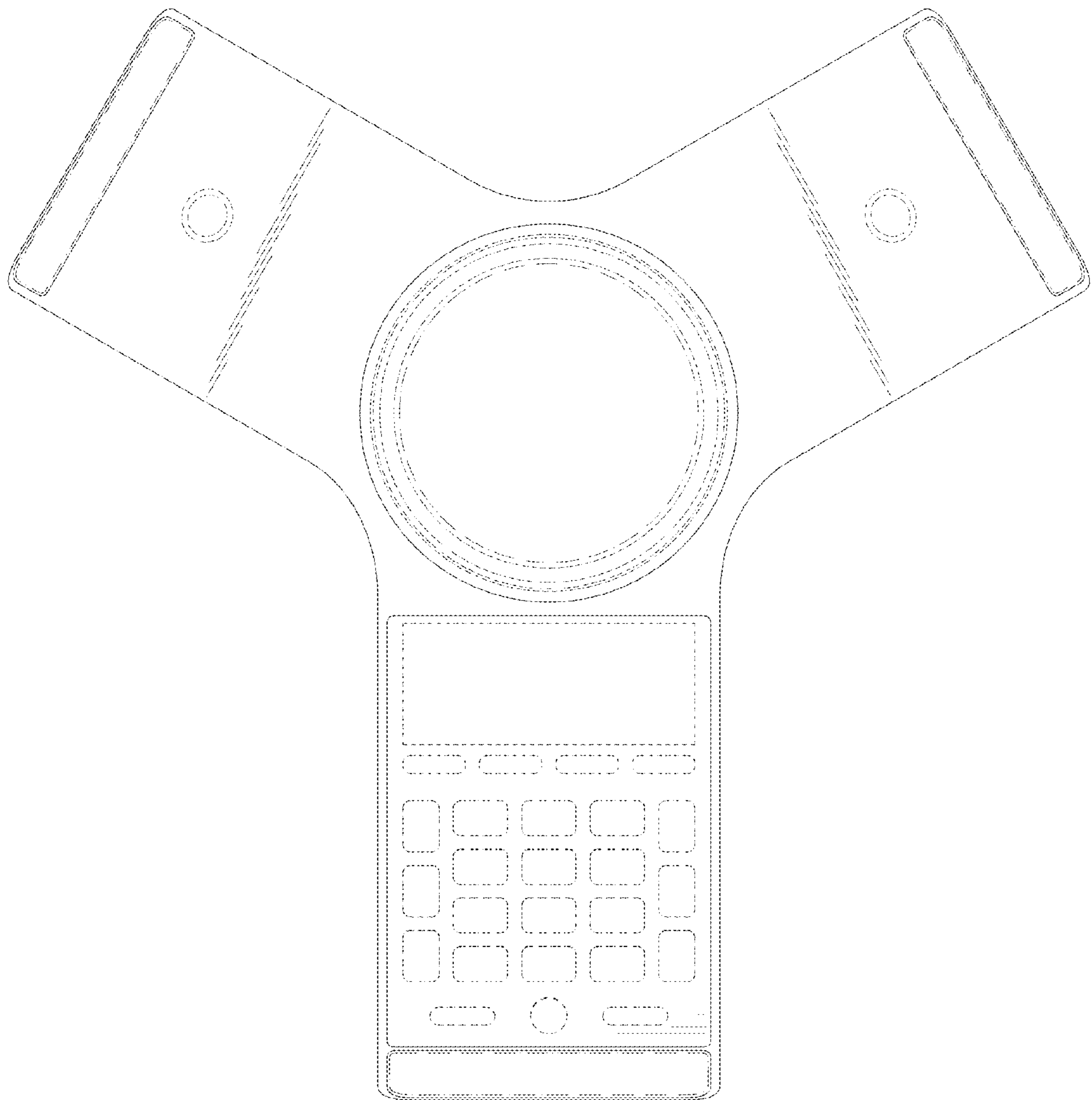


FIG. 6



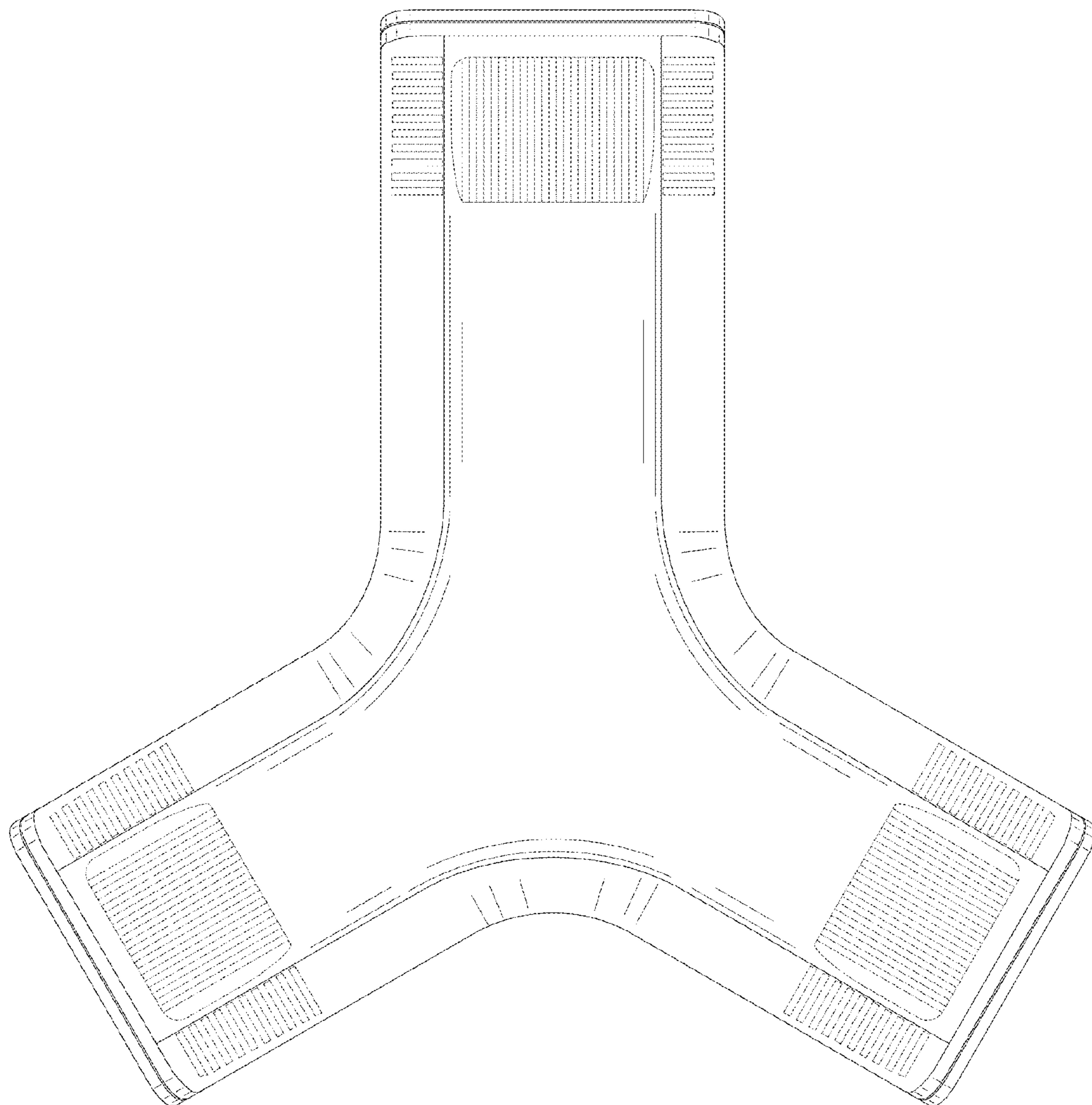


FIG. 7

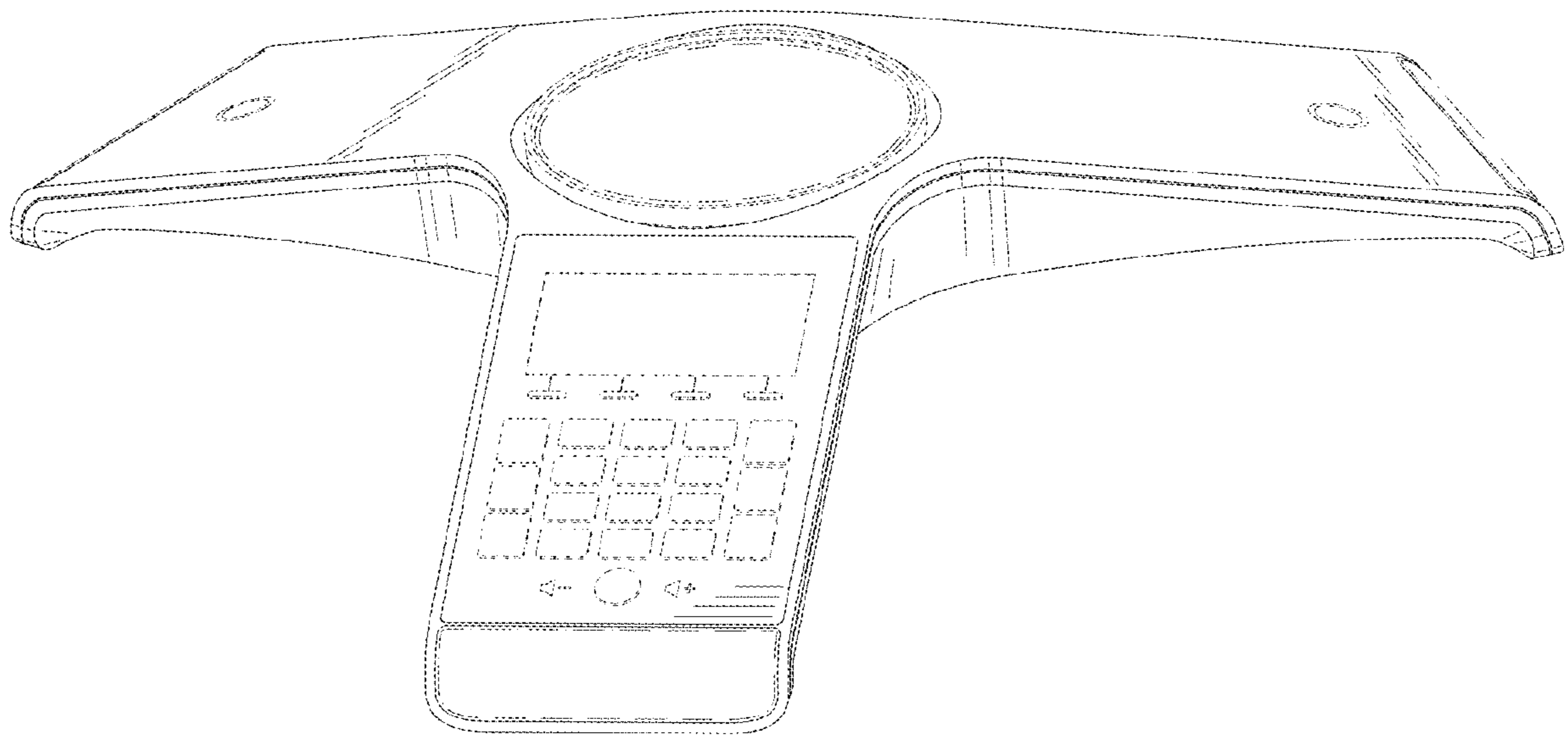


FIG. 8

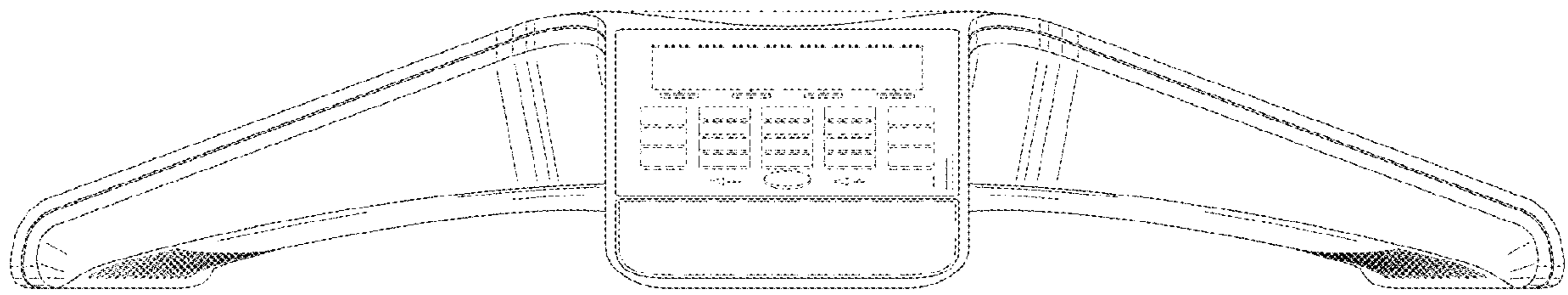


FIG. 9

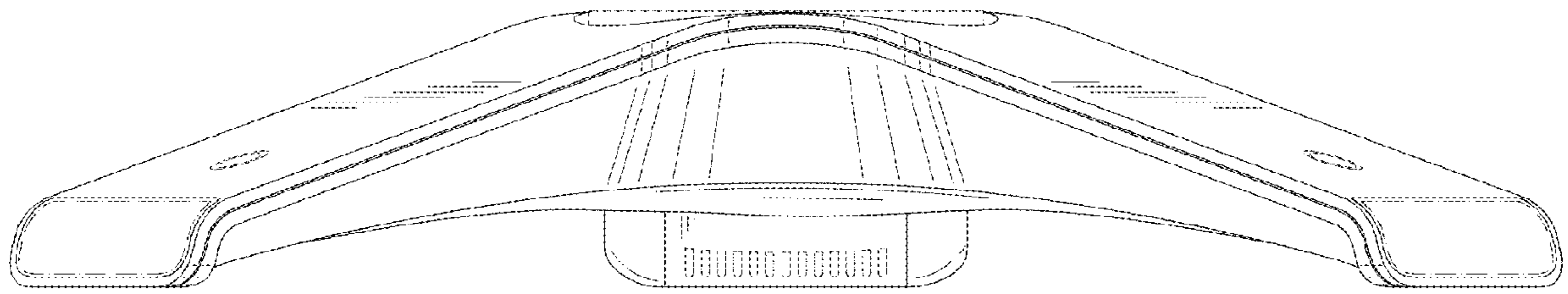


FIG. 10

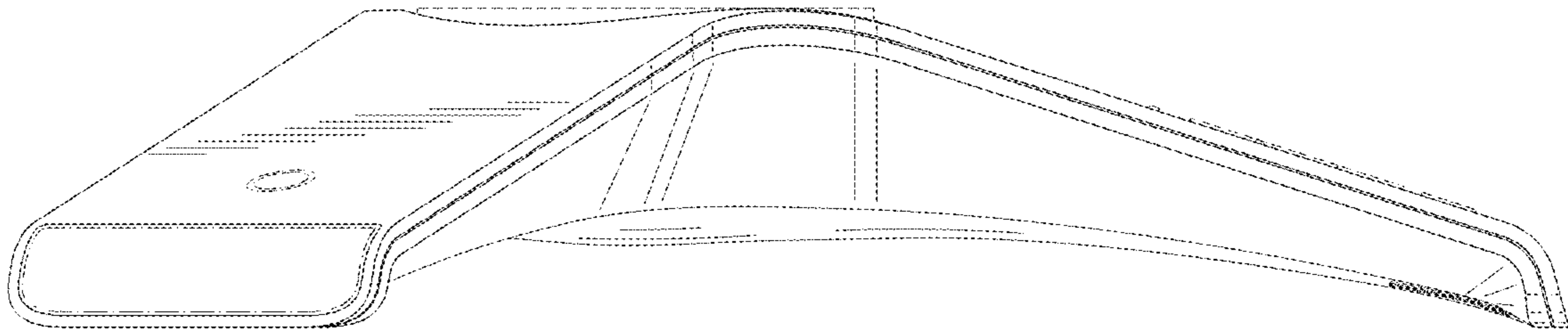


FIG. 11

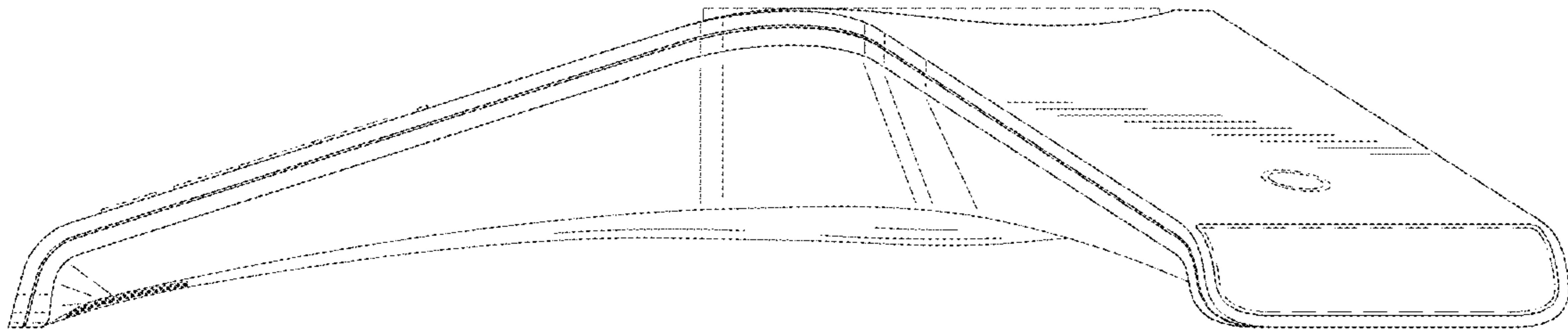


FIG. 12

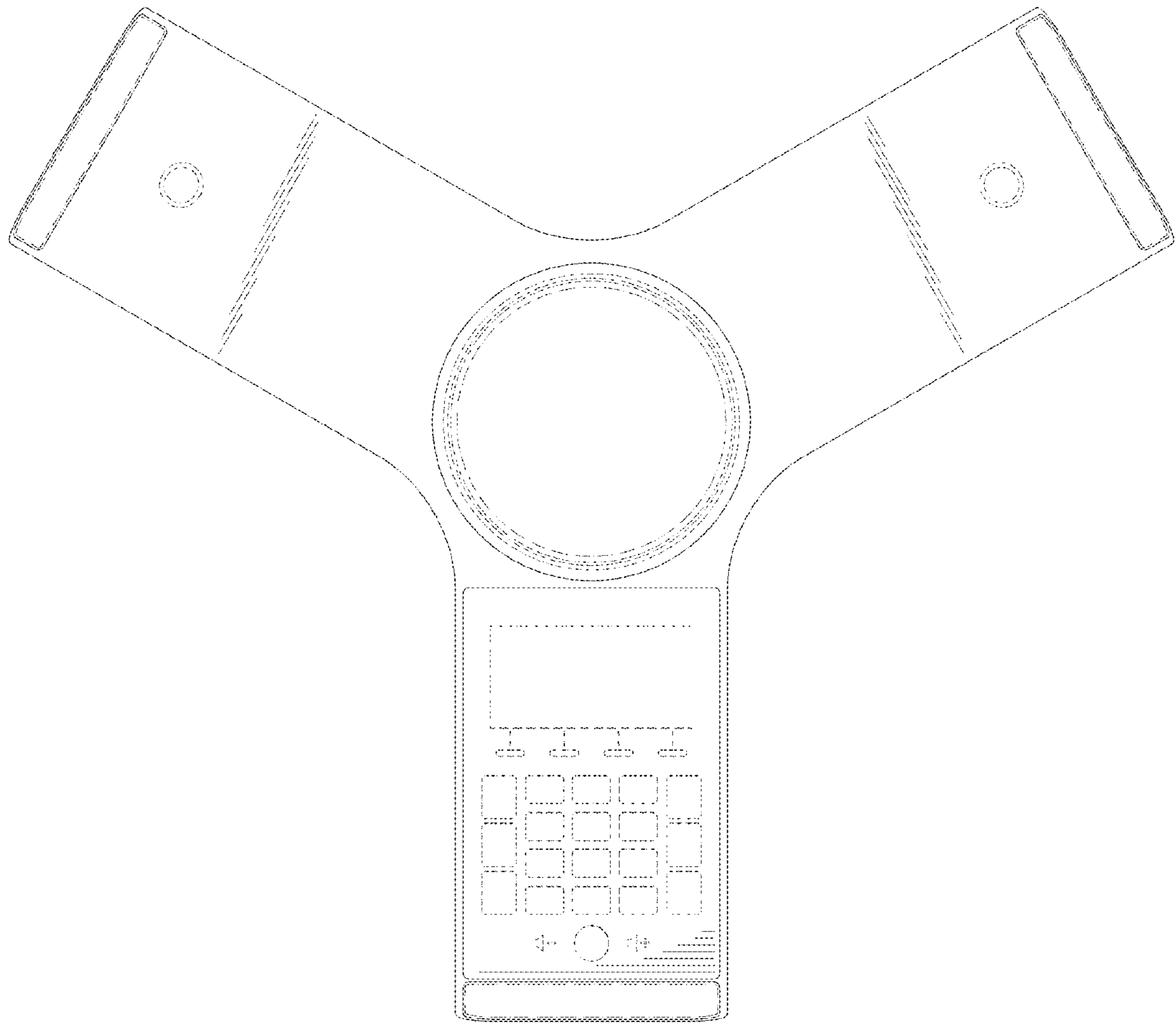


FIG. 13

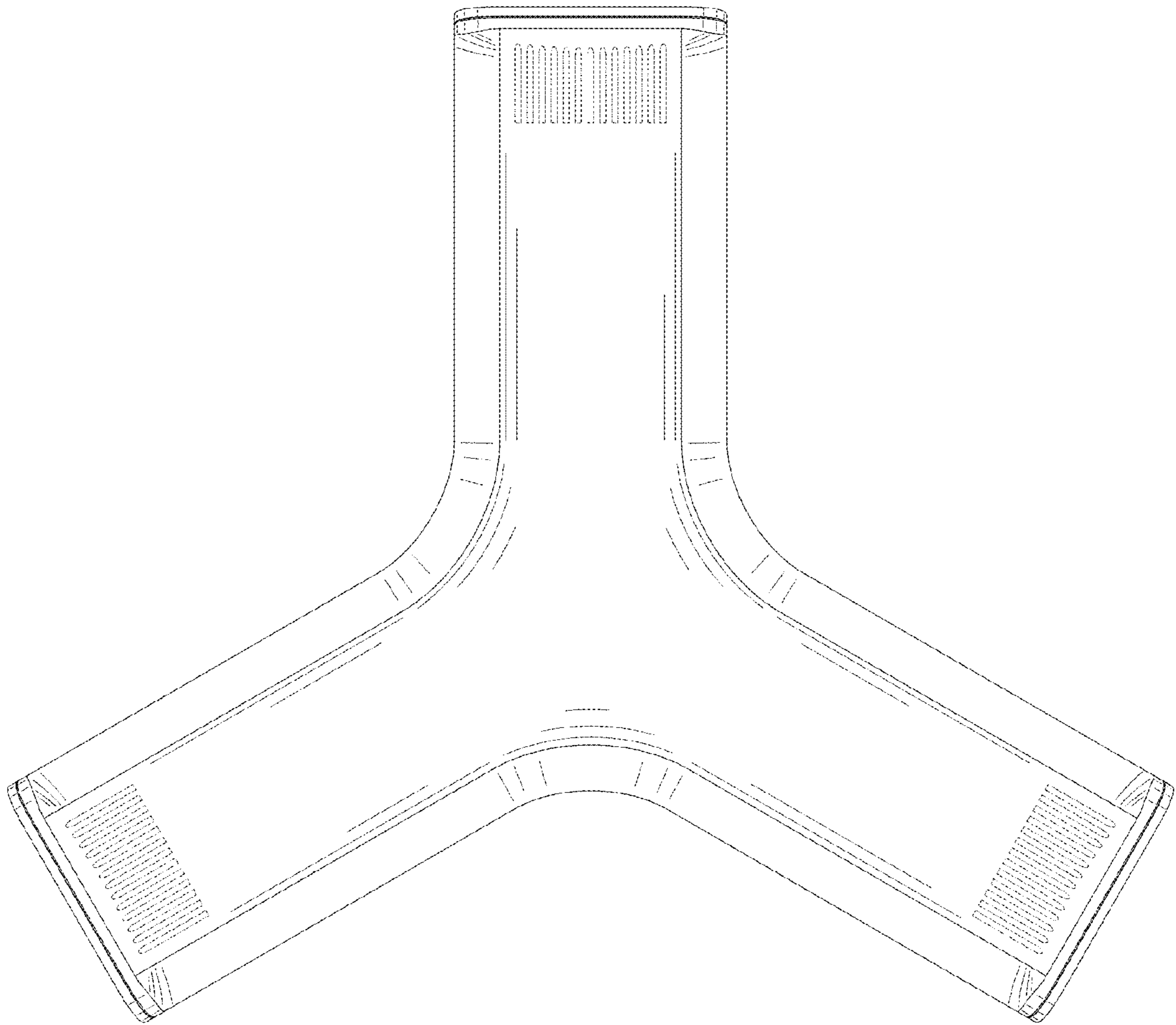


FIG. 14