



US00D885359S

(12) **United States Design Patent**
Li et al.

(10) **Patent No.:** **US D885,359 S**

(45) **Date of Patent:** **** May 26, 2020**

(54) **COMMUNICATION CONFERENCE DEVICE**

(71) Applicants: **Ching-Hua Li**, Taipei (TW); **Li-Fang Chen**, Taipei (TW); **Chen-Hsien Cheng**, Taipei (TW); **Yi-Chun Lin**, Taipei (TW)

(72) Inventors: **Ching-Hua Li**, Taipei (TW); **Li-Fang Chen**, Taipei (TW); **Chen-Hsien Cheng**, Taipei (TW); **Yi-Chun Lin**, Taipei (TW)

(73) Assignee: **COMPAL ELECTRONICS, INC.**, Taipei (TW)

(**) Term: **15 Years**

(21) Appl. No.: **29/649,213**

(22) Filed: **May 29, 2018**

(51) **LOC (12) Cl.** **14-03**

(52) **U.S. Cl.**
USPC **D14/148**

(58) **Field of Classification Search**
USPC ... D14/140, 140.1, 140.7, 140.8, 141.2, 142, D14/144, 147, 148, 149, 150, 151, 158, D14/159, 188, 243, 247, 248, 299, 329, D14/130, 338, 138 R, 138 AA; D21/517
CPC H04M 1/03; H04M 1/6041; H04M 1/6066; H04M 1/00; H04M 1/003; H04M 1/02; H04M 1/0225
See application file for complete search history.

(56) **References Cited**

U.S. PATENT DOCUMENTS

- D284,655 S * 7/1986 Marshall D14/149
- D285,198 S * 8/1986 Danielson D14/142
- D285,790 S * 9/1986 Harrison D14/148
- D287,124 S * 12/1986 Becker D14/148
- D287,362 S * 12/1986 Rittenhouse D14/148

- D287,964 S * 1/1987 Perkins D14/149
- D289,755 S * 5/1987 Todeschini D14/153
- D301,874 S * 6/1989 Roegner D14/148
- D346,171 S * 4/1994 Ratcliffe D14/248
- D346,383 S * 4/1994 Mehle-Hohnjec D14/150
- D346,799 S * 5/1994 Hosoe D14/151
- D346,800 S * 5/1994 Hosoe D14/151
- D347,007 S * 5/1994 Hosoe D14/150
- D352,282 S * 11/1994 Toh D14/148

(Continued)

Primary Examiner — Marie D. Fast Horse

(74) *Attorney, Agent, or Firm* — JCIPRNET

(57) **CLAIM**

The ornamental design for a communication conference device, as shown and described.

DESCRIPTION

FIG. 1 is a front view of a communication conference device showing our new design in a position for use with the upper member inclined to the base;

FIG. 2 is a rear view thereof;

FIG. 3 is a left side view thereof;

FIG. 4 is a right side view thereof;

FIG. 5 is a top view thereof;

FIG. 6 is a bottom view thereof;

FIG. 7 is another top view thereof, showing an alternate rotated position for use wherein the upper member is parallel to the base;

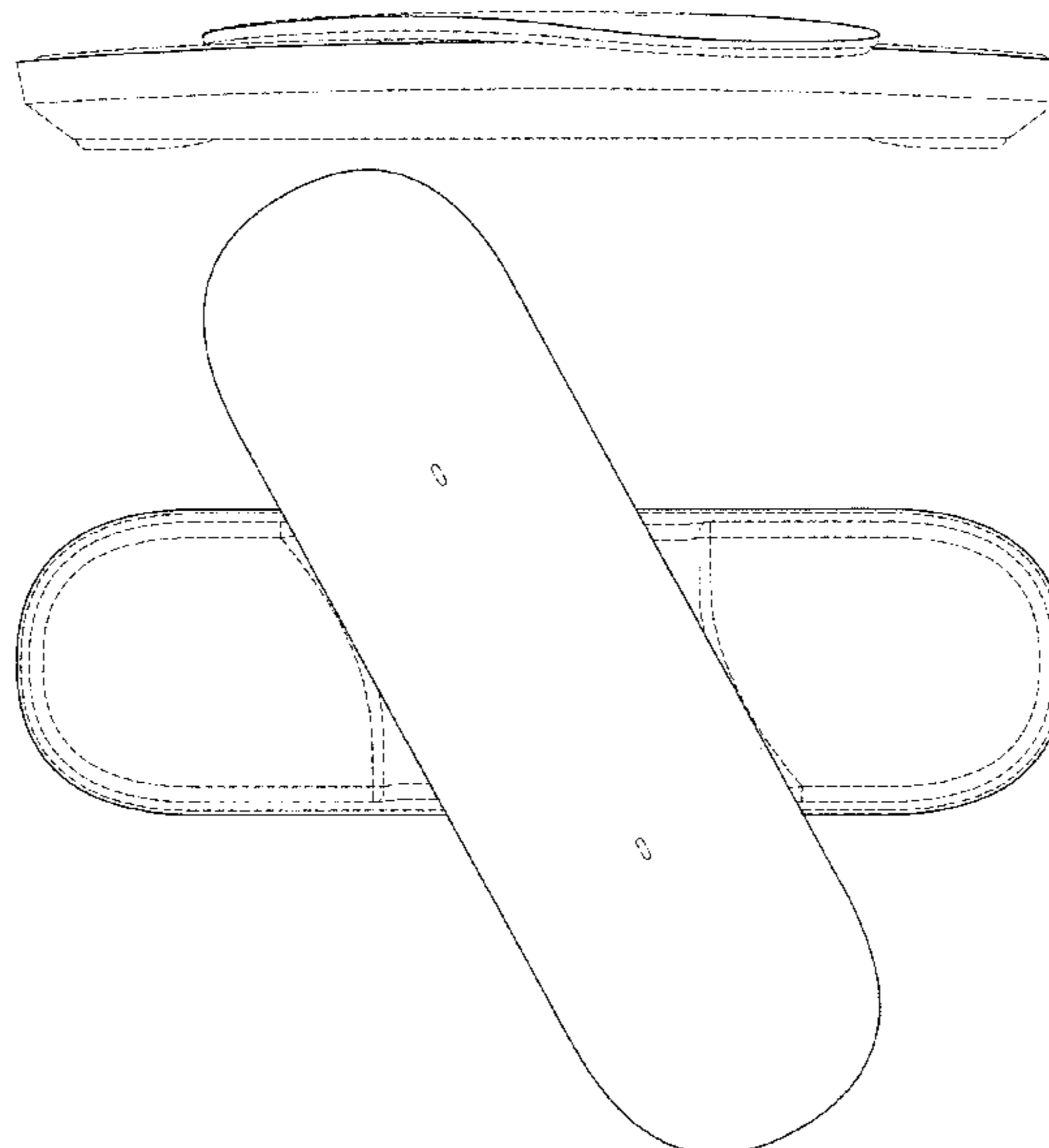
FIG. 8 is a perspective view thereof;

FIG. 9 is another top view thereof, showing another alternate rotated position for use wherein the upper member is perpendicular to the base; and,

FIG. 10 is a perspective view thereof.

The broken lines depict portions of the communication conference device that form no part of the claimed design. All surfaces shown between the broken and solid lines and the broken lines themselves form no part of the claimed design.

1 Claim, 10 Drawing Sheets



(56)

References Cited

U.S. PATENT DOCUMENTS

D353,373 S * 12/1994 Delhaes D13/108
 D363,290 S * 10/1995 Kim D14/248
 D369,796 S * 5/1996 Grewe D14/138 AD
 D372,919 S * 8/1996 Nagele D14/248
 D388,086 S * 12/1997 Constantine D14/148
 D403,678 S * 1/1999 Hawley D14/148
 D424,558 S * 5/2000 Hong D14/143
 D463,388 S * 9/2002 Thomsen D14/148
 D555,132 S * 11/2007 Kim D14/138 AC
 7,433,654 B2 * 10/2008 Reed H04M 1/0227
 455/550.1
 D587,236 S * 2/2009 Haberl D14/147
 D612,846 S * 3/2010 Matsuoka D14/341
 D640,687 S * 6/2011 Matsuoka D14/341
 8,060,161 B2 * 11/2011 Kwak H04M 1/0241
 345/158
 D655,705 S * 3/2012 Matsuoka D14/341
 D662,933 S * 7/2012 Matsuoka D14/341
 D682,246 S * 5/2013 Boqueho D14/142

D697,626 S * 1/2014 Laplante D24/186
 D705,751 S 5/2014 Wenger et al.
 D724,085 S * 3/2015 Dowd D14/388
 D734,289 S * 7/2015 Jeon D14/149
 D754,091 S * 4/2016 Ookawa D14/148
 D757,676 S * 5/2016 Hoehn D14/148
 D776,076 S * 1/2017 Jeon D14/149
 D783,009 S * 4/2017 Moore D14/248
 D783,568 S * 4/2017 Pista D14/144
 D792,867 S * 7/2017 Maxwell D14/149
 D793,987 S * 8/2017 Hoehn D14/148
 D812,031 S * 3/2018 Hoehn D14/148
 D830,326 S * 10/2018 Lin D14/147
 2004/0266477 A1 * 12/2004 Murata H04M 1/0229
 455/556.1
 2008/0242380 A1 * 10/2008 Kajihara H04M 1/0225
 455/575.4
 2009/0088222 A1 * 4/2009 Numano H04M 1/0235
 455/569.1
 2017/0126871 A1 * 5/2017 Babayev H04W 4/14
 2019/0215393 A1 * 7/2019 Li H04M 1/6041

* cited by examiner

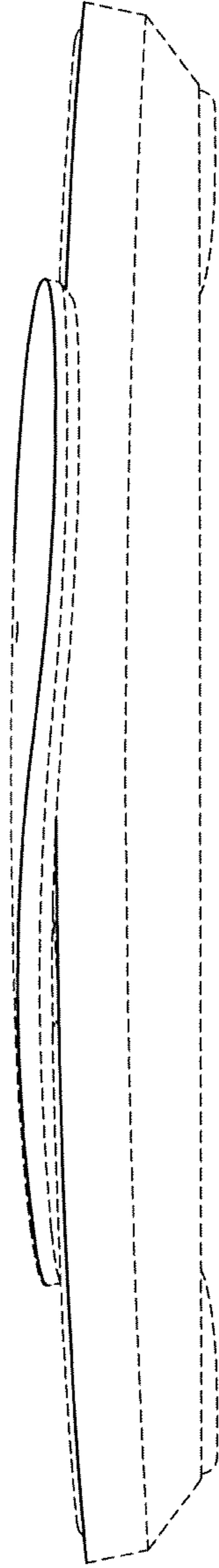


FIG. 1

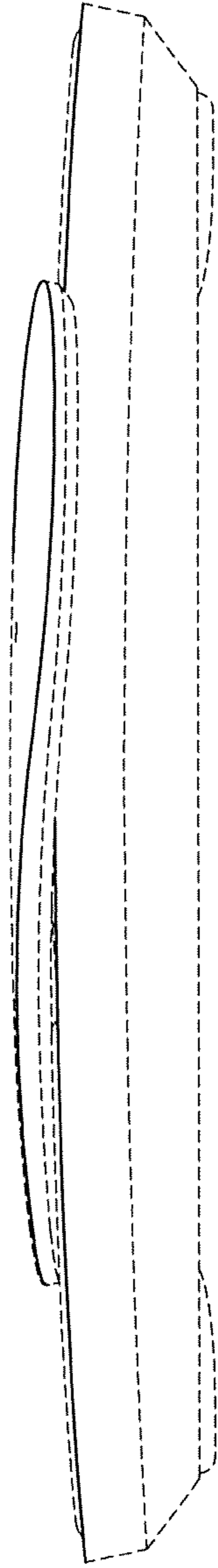


FIG. 2

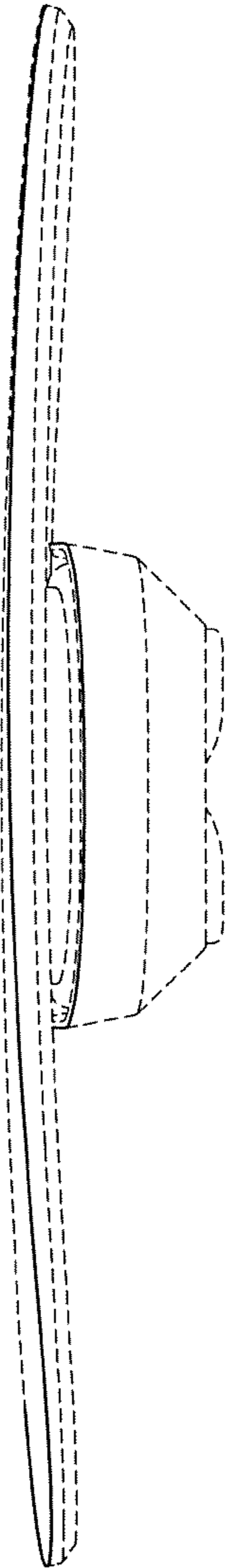


FIG. 3

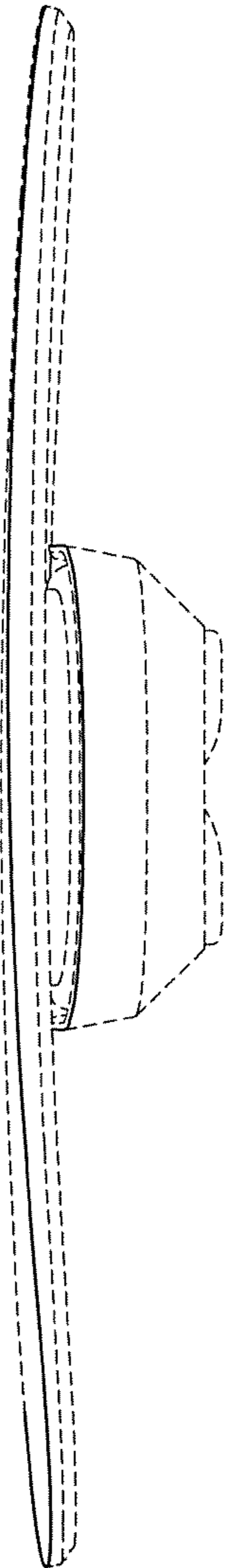


FIG. 4

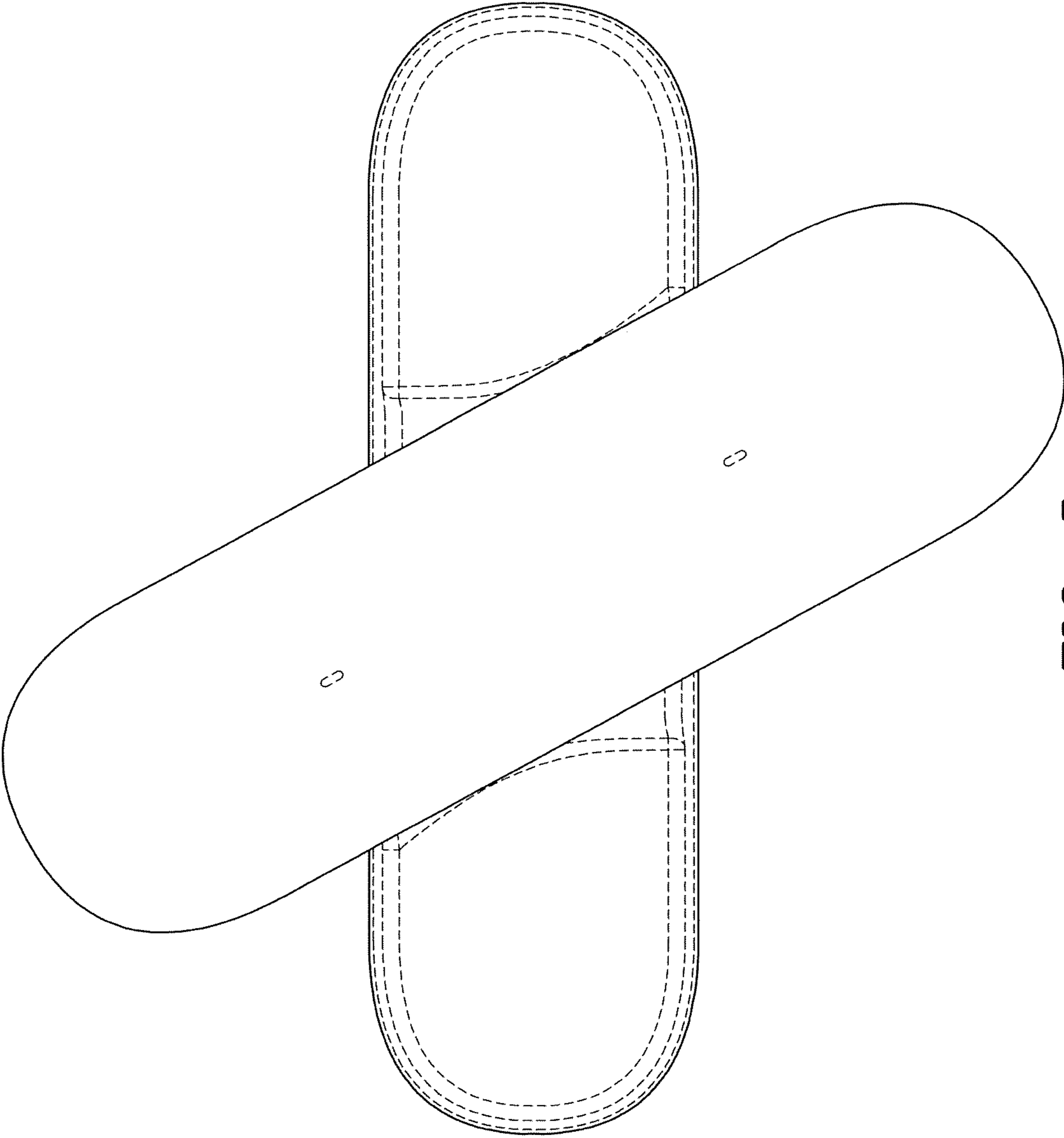


FIG. 5

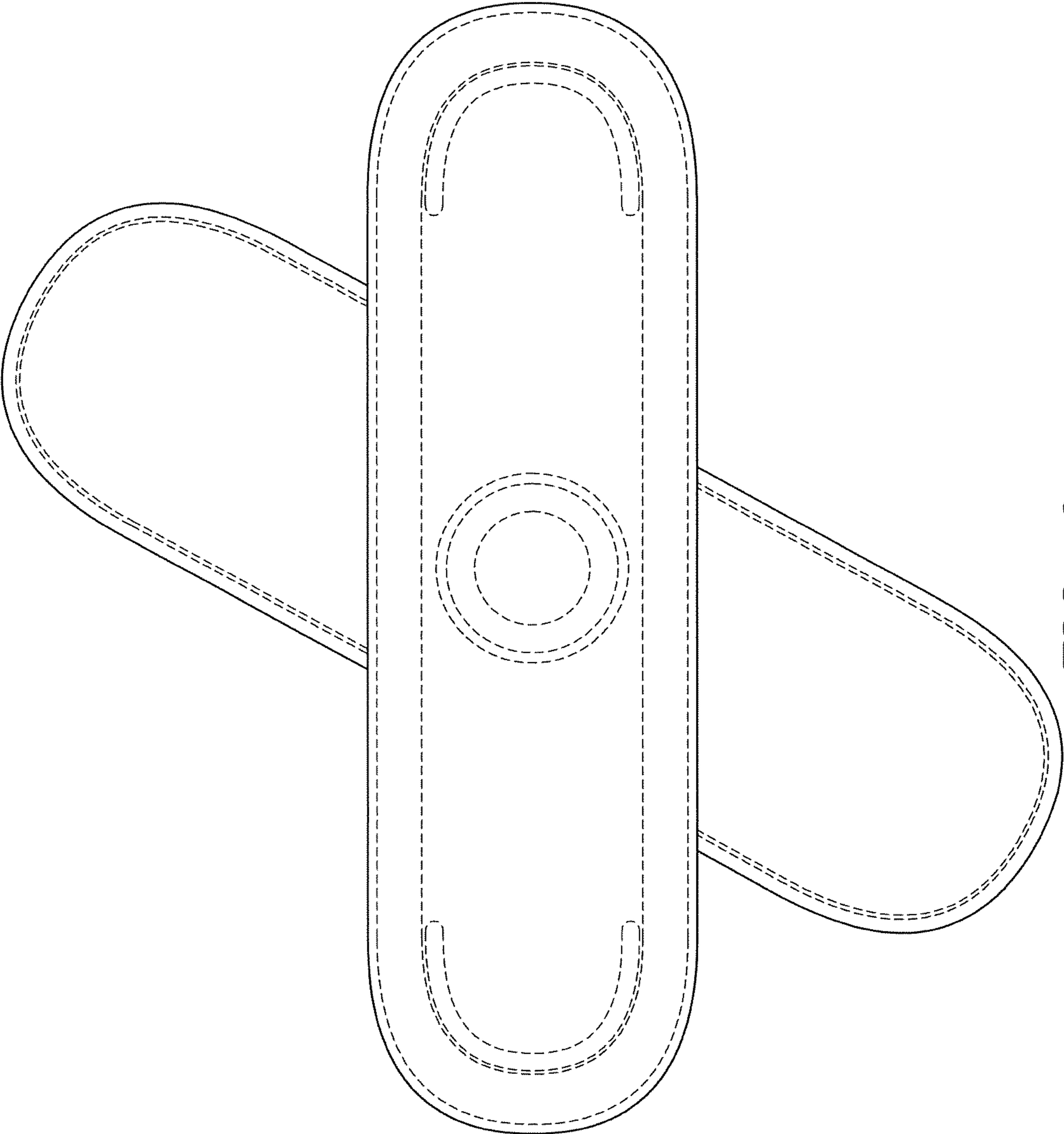


FIG. 6

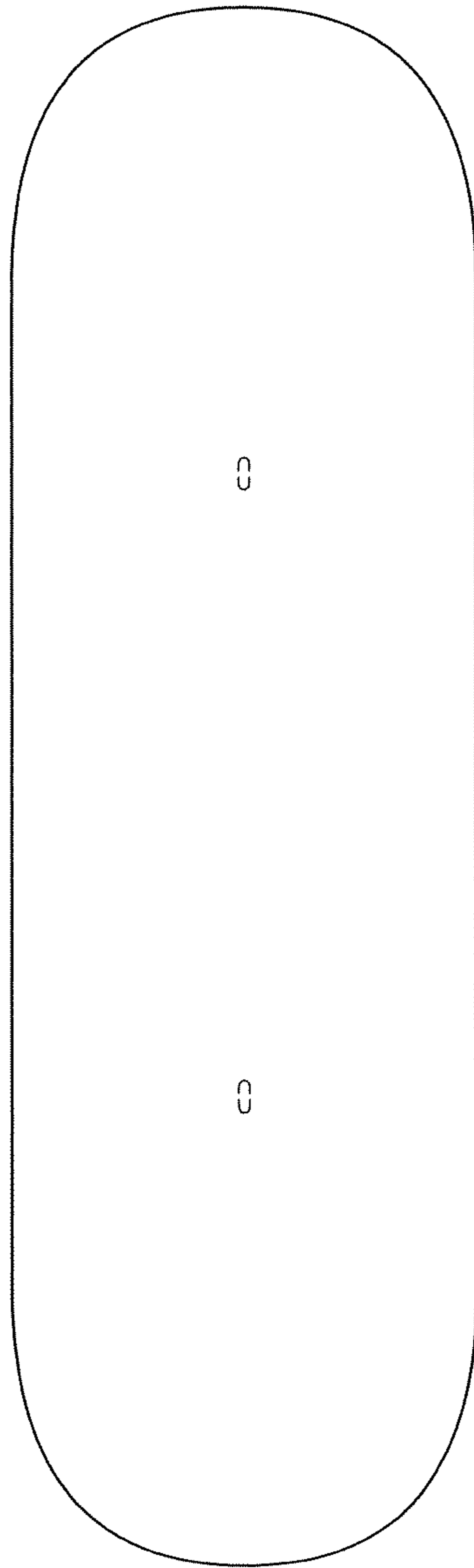


FIG. 7

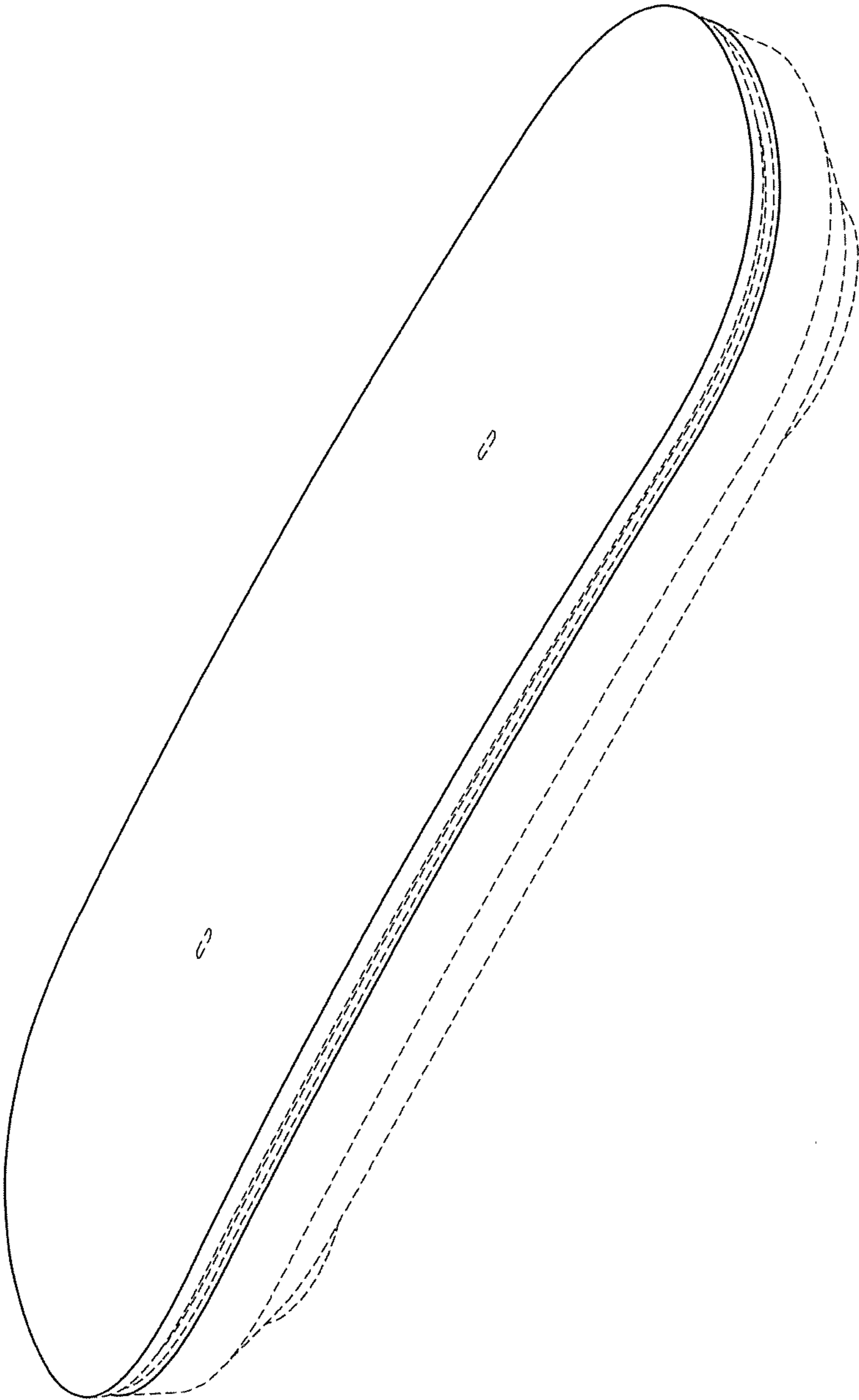


FIG. 8

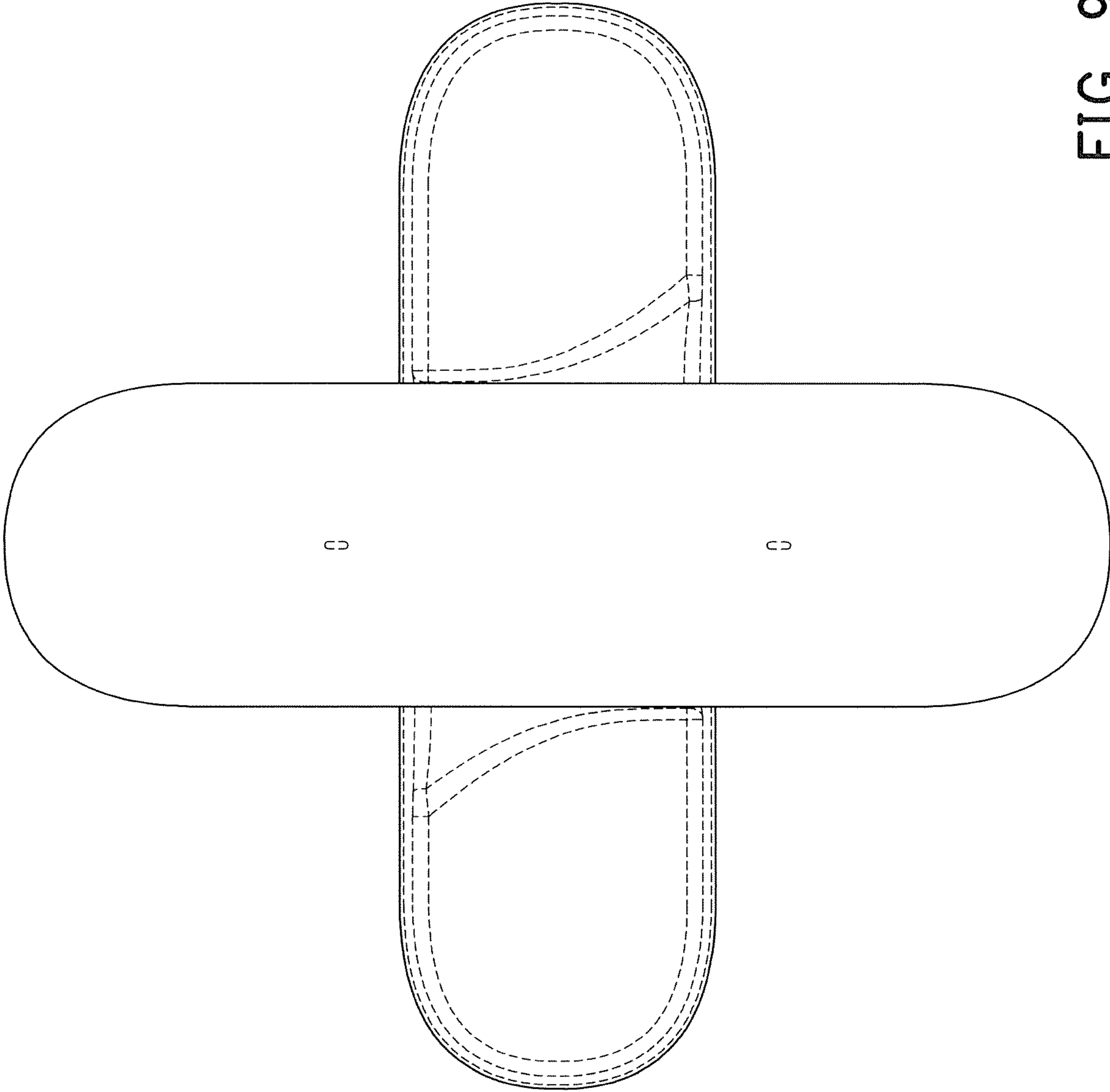


FIG. 9

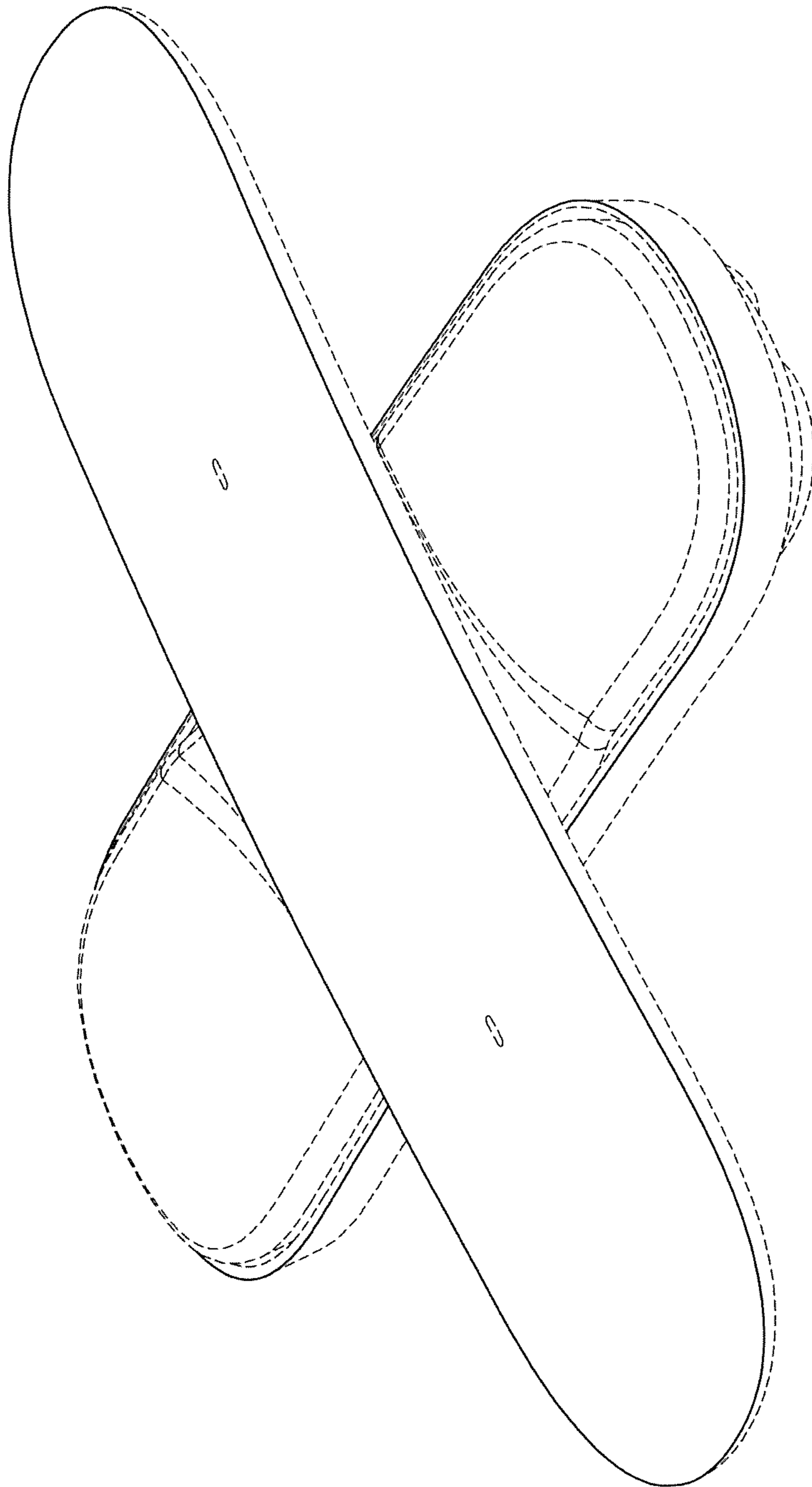


FIG. 10