



US00D885356S

(12) **United States Design Patent** (10) **Patent No.:** **US D885,356 S**
Rogge et al. (45) **Date of Patent:** **** May 26, 2020**

(54) **ELECTRICAL SWITCH**
(71) Applicant: **CAPTRON Electronic GmbH**,
Olching (DE)
(72) Inventors: **Christian Rogge**, Munich (DE);
Roman Gebhard, Munich (DE)
(73) Assignee: **CAPTRON ELECTRONIC GMBH**,
Olching (DE)
(**) Term: **15 Years**
(21) Appl. No.: **35/506,823**
(22) Filed: **Feb. 28, 2019**
(80) **Hague Agreement Data**
Int. Filing Date: **Feb. 28, 2019**
Int. Reg. No.: **DM/201128**
Int. Reg. Date: **Feb. 28, 2019**
Int. Reg. Pub. Date: **May 31, 2019**

(51) **LOC (12) Cl.** **13-03**
(52) **U.S. Cl.**
USPC **D13/174**

(58) **Field of Classification Search**
USPC D13/162, 168, 171, 173, 174; D14/487,
D14/489; D10/104.1; D7/393; D8/310,
D8/312
CPC H01H 3/12; H01H 3/122; H01H 9/02;
H01H 9/16; H01H 9/18; H01H 9/181;
H01H 9/182; H01H 13/023; H01H 13/04;
H01H 13/06; H01H 13/14; H01H
2009/187; H05B 33/0803; H05B 33/0863;
H05B 37/02; H05B 37/0254; H05B
37/0272; H05B 39/02; H05B 39/04;
H05B 39/085; H05B 39/086; H05B
39/088; G08C 17/02; H03K 17/962
See application file for complete search history.

(56) **References Cited**
U.S. PATENT DOCUMENTS

D317,137 S * 5/1991 Kulikowski D10/108
D374,658 S * 10/1996 Bever D13/171

D515,516 S * 2/2006 Mayo D13/171
D526,973 S * 8/2006 Gates D13/168
D626,963 S * 11/2010 Kim D14/420
D700,904 S * 3/2014 Miller D13/168
D725,088 S * 3/2015 Kwak D14/240
D743,382 S * 11/2015 Katori D14/228
D766,844 S * 9/2016 Turksu D10/104.1
D784,259 S * 4/2017 Huang D13/108
D792,865 S * 7/2017 Park D14/138 R
D840,956 S * 2/2019 Wiese D13/173
D863,237 S * 10/2019 Ayers D13/174

* cited by examiner

Primary Examiner — Nathaniel D. Buckner
(74) *Attorney, Agent, or Firm* — Quarles & Brady LLP;
Yakov Sidorin

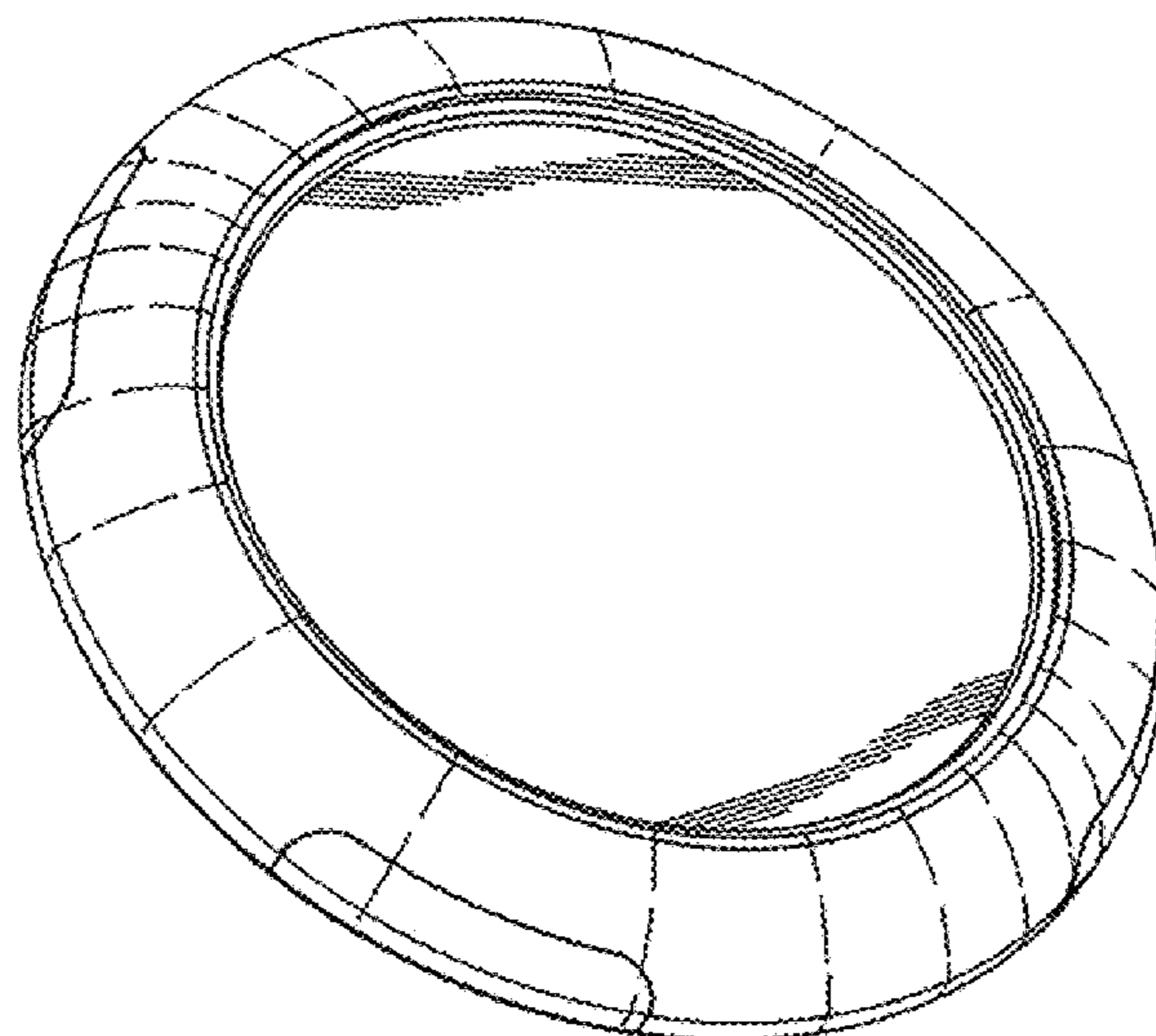
(57) **CLAIM**

The ornamental design for an electrical switch, as shown and described.

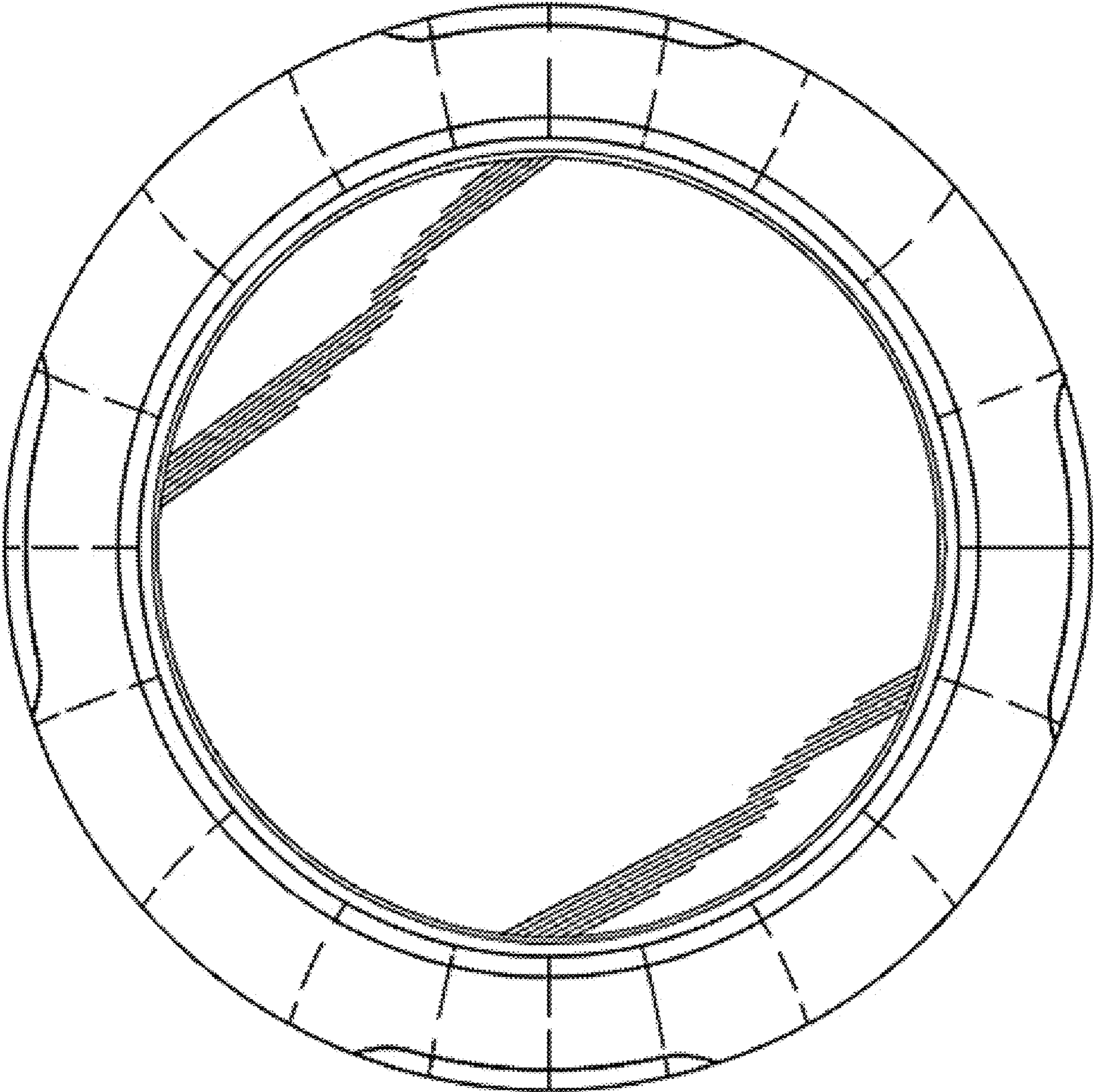
DESCRIPTION

1. Electrical switch
1.1 is a front view of an electrical switch showing our new design;
1.2 is a left elevation view thereof;
1.3 is a right elevation view thereof;
1.4 is a bottom plan view thereof;
1.5 is a top plan view thereof;
1.6 is a top front perspective view thereof;
1.7 is a rear view thereof.
Fig. **1.1** is a front view of the design showing the display of the electrical switch; fig. **1.2** is a left view of the design; fig. **1.3** is a right view from above of the design; fig. **1.4** is a right view of the design; fig. **1.5** is a left view from below of the design; fig. **1.6** is a perspective view of the design; fig. **1.7** is a back view of the design.

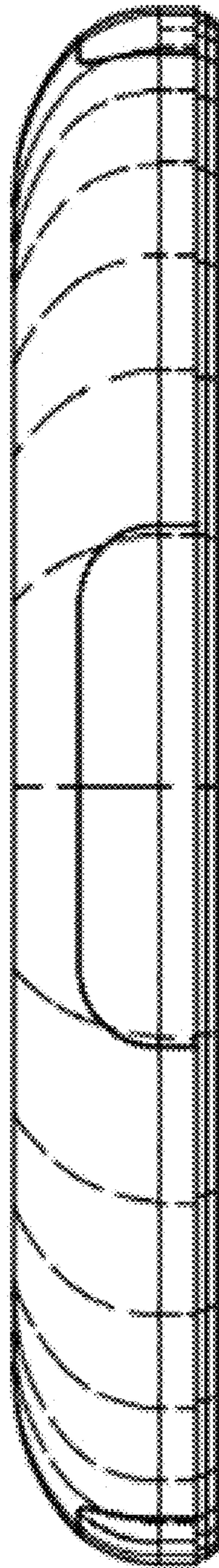
1 Claim, 7 Drawing Sheets



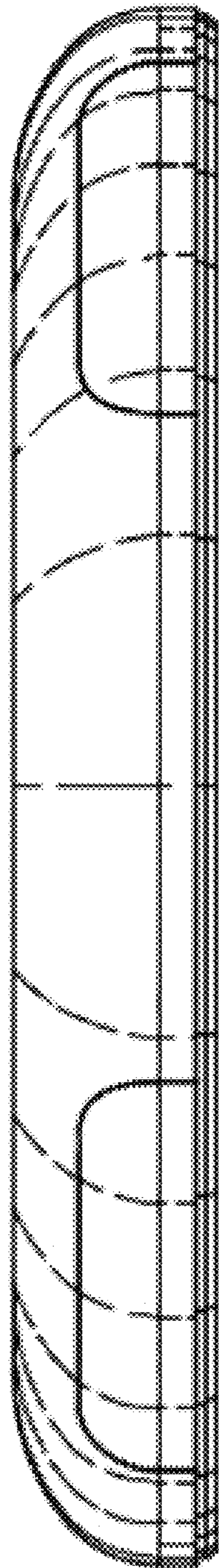
1.1



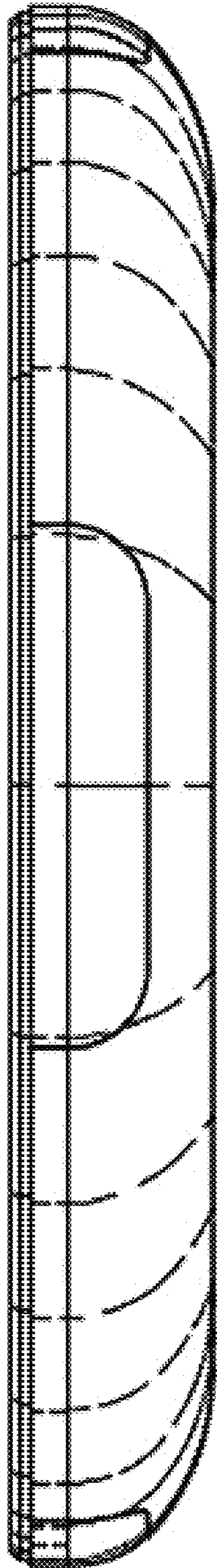
1.2



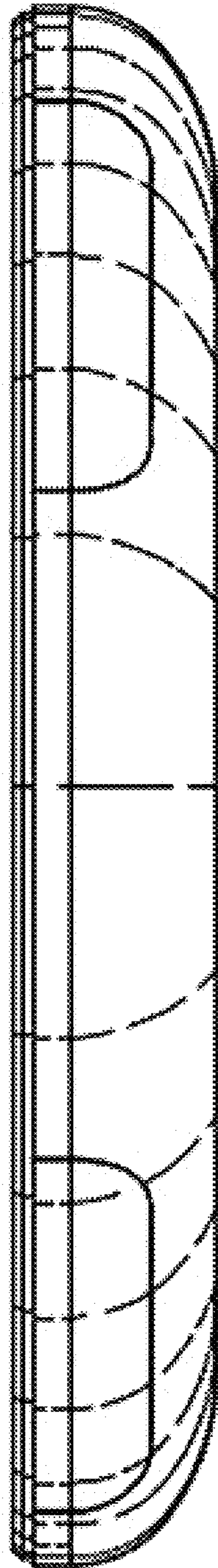
1.3



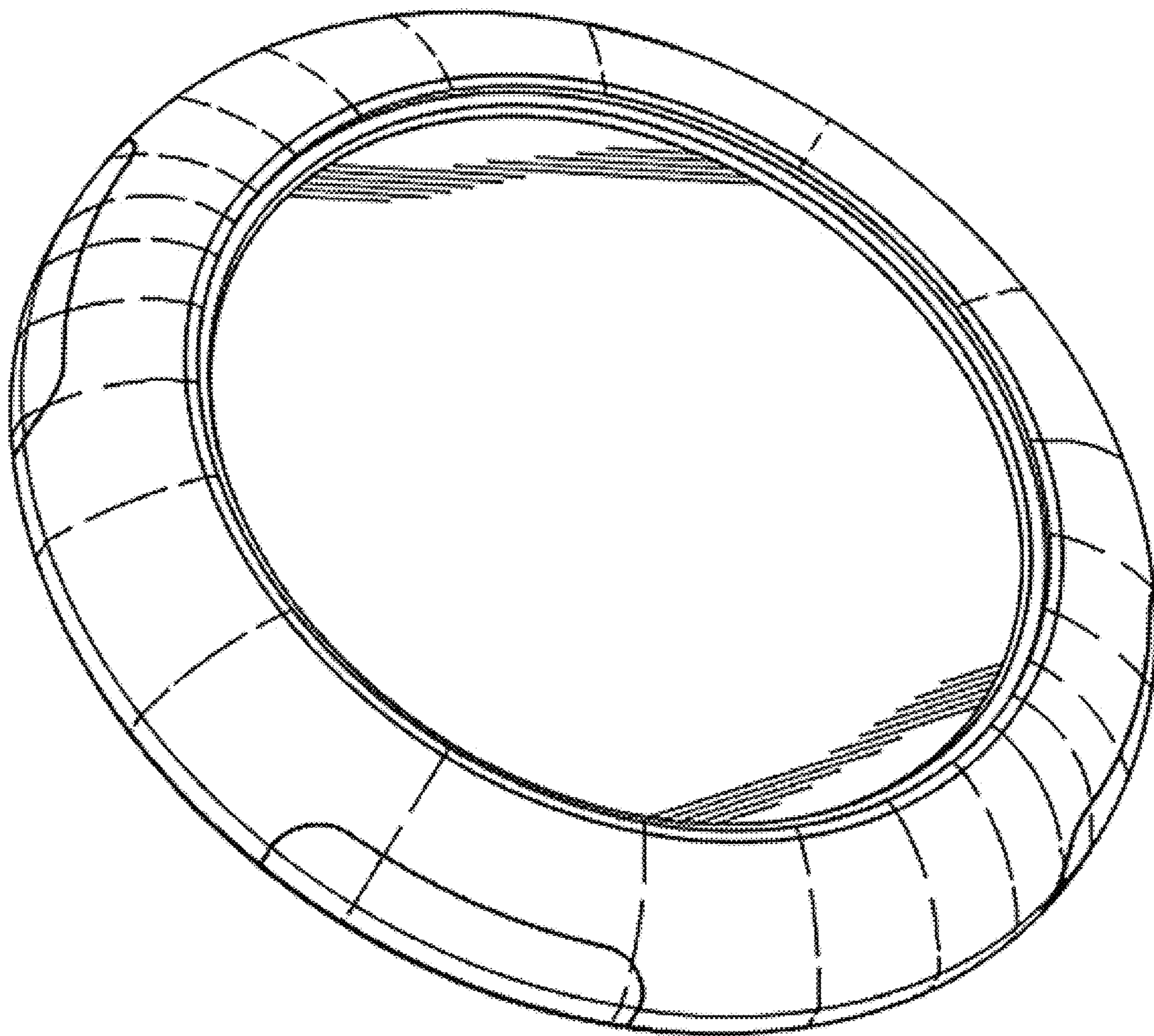
1.4



1.5



1.6



1.7

