



US00D885355S

(12) **United States Design Patent**  
**Fujino**

(10) **Patent No.:** **US D885,355 S**

(45) **Date of Patent:** **\*\* May 26, 2020**

- (54) **PUSH BUTTON FOR SWITCH**
- (71) Applicant: **OMRON Corporation**, Kyoto-shi, Kyoto (JP)
- (72) Inventor: **Minoru Fujino**, Kyoto (JP)
- (73) Assignee: **OMRON Corporation**, Kyoto (JP)
- (\*\*) Term: **15 Years**
- (21) Appl. No.: **29/676,319**
- (22) Filed: **Jan. 10, 2019**
- (30) **Foreign Application Priority Data**

Jul. 11, 2018 (JP) ..... 2018-015319

- (51) **LOC (12) Cl.** ..... **13-03**
- (52) **U.S. Cl.**  
USPC ..... **D13/174**
- (58) **Field of Classification Search**  
USPC ..... D13/162, 171, 174, 177; D7/405, 406; D8/310, 311, 312  
CPC .. H01H 3/12; H01H 9/02; H01H 9/16; H01H 9/18; H01H 9/181; H01H 9/182; H01H 13/04; H01H 13/14; H01H 2009/187; G06F 3/0362; G05G 1/08; G05G 1/10; H02G 3/14  
See application file for complete search history.

(56) **References Cited**  
U.S. PATENT DOCUMENTS

- 4,968,860 A \* 11/1990 Shinohara ..... H01H 13/023 200/314
- 5,201,408 A \* 4/1993 Torma ..... H02B 1/044 200/292
- D506,186 S \* 6/2005 Bohn ..... D13/169
- D514,072 S \* 1/2006 Martinez ..... D13/174
- 6,987,233 B2\* 1/2006 Cole ..... H01H 9/12 200/310

- 7,714,243 B2 \* 5/2010 Birdwell ..... H01H 11/0006 174/54
- D619,874 S \* 7/2010 Bhattacharya ..... D8/311
- 7,804,037 B2 \* 9/2010 Cove ..... H01H 9/181 200/314
- D645,004 S \* 9/2011 Menheere ..... D13/171
- 8,624,141 B2 \* 1/2014 Schechtel ..... H01H 13/83 200/310
- D786,650 S \* 5/2017 Lira-Nunez ..... D8/311
- 2002/0125119 A1\* 9/2002 Cole ..... H01H 9/12 200/341
- 2008/0000763 A1\* 1/2008 Cove ..... H01H 13/023 200/314
- 2010/0163386 A1\* 7/2010 Sun ..... H01H 9/181 200/341
- 2013/0026017 A1\* 1/2013 Verd Martinez ..... H01H 9/161 200/307
- 2016/0064163 A1\* 3/2016 Chu ..... H01H 13/023 200/314

\* cited by examiner

*Primary Examiner* — Selina Sikder  
(74) *Attorney, Agent, or Firm* — Capitol City TechLaw

(57) **CLAIM**

The ornamental design for a push button for switch, as shown and described.

**DESCRIPTION**

FIG. 1 is a front, top, and right side perspective view of a push button for switch showing my new design; FIG. 2 is a front view thereof, a rear view being a mirror image thereof; FIG. 3 is a left side view thereof, a right side view being a mirror image thereof; FIG. 4 is a top view thereof; and, FIG. 5 is a bottom view thereof. The dashed broken lines in the figures show portions of the push button for switch that form no part of the claimed design.

**1 Claim, 5 Drawing Sheets**

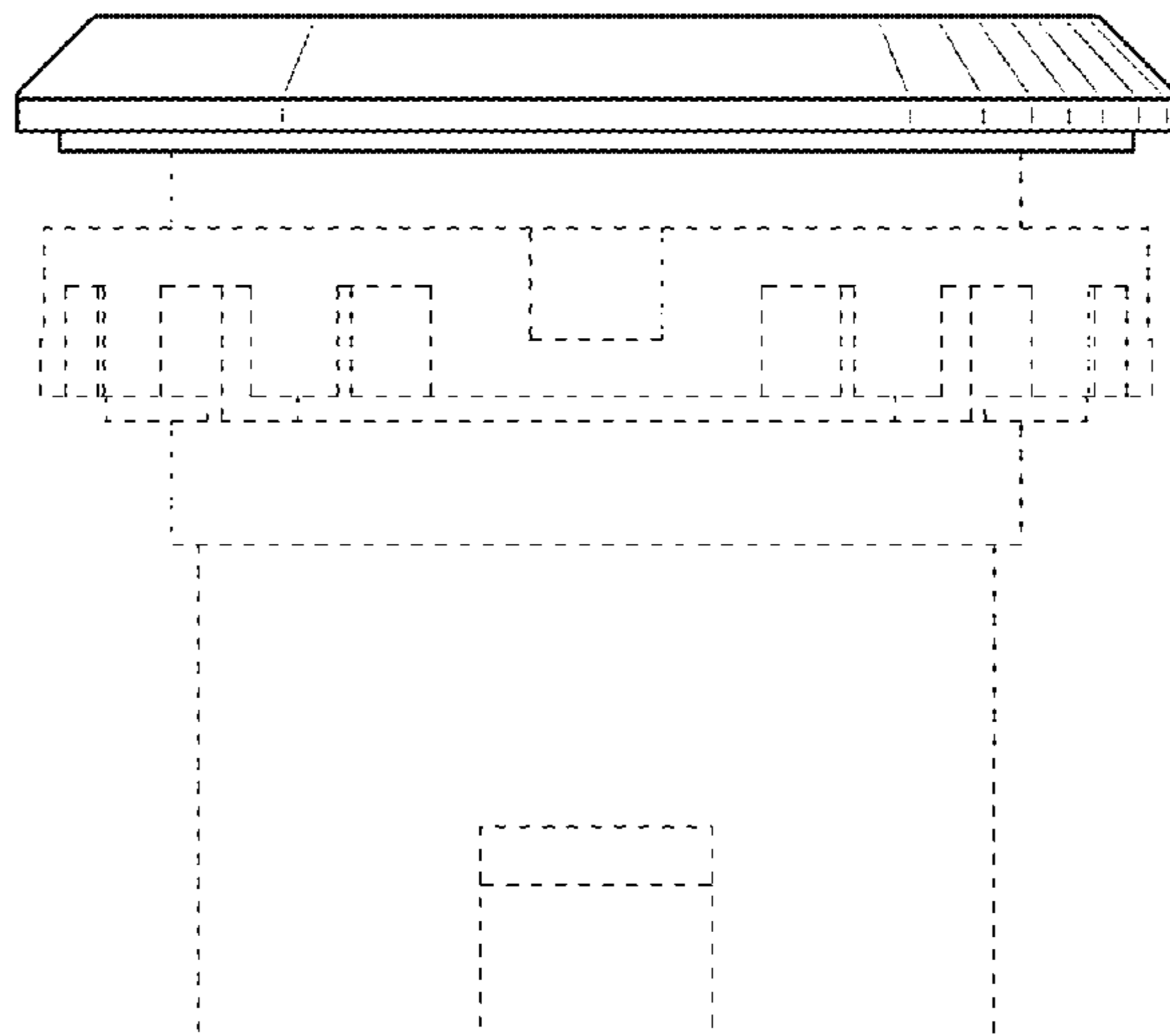
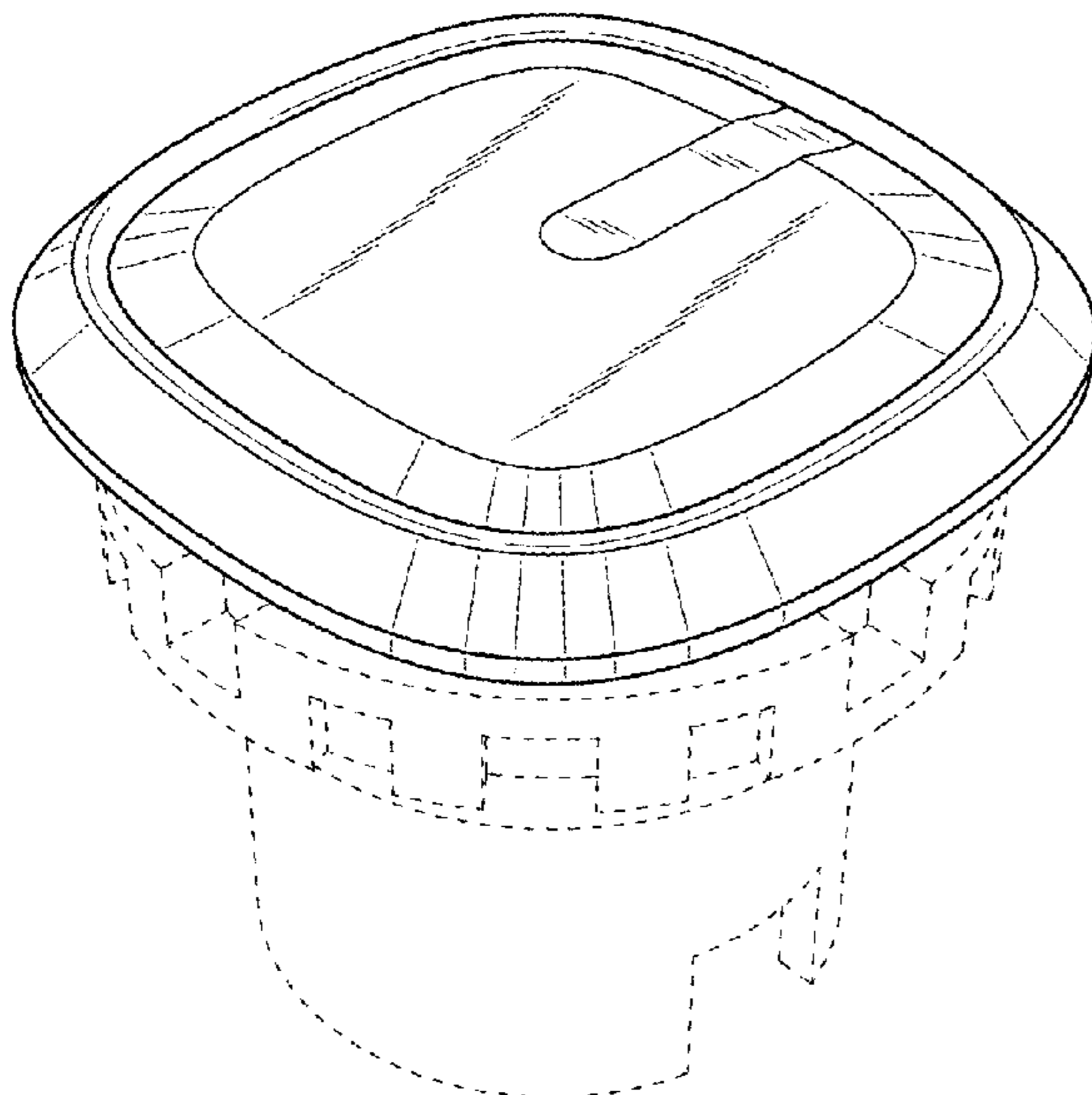


Fig. 1

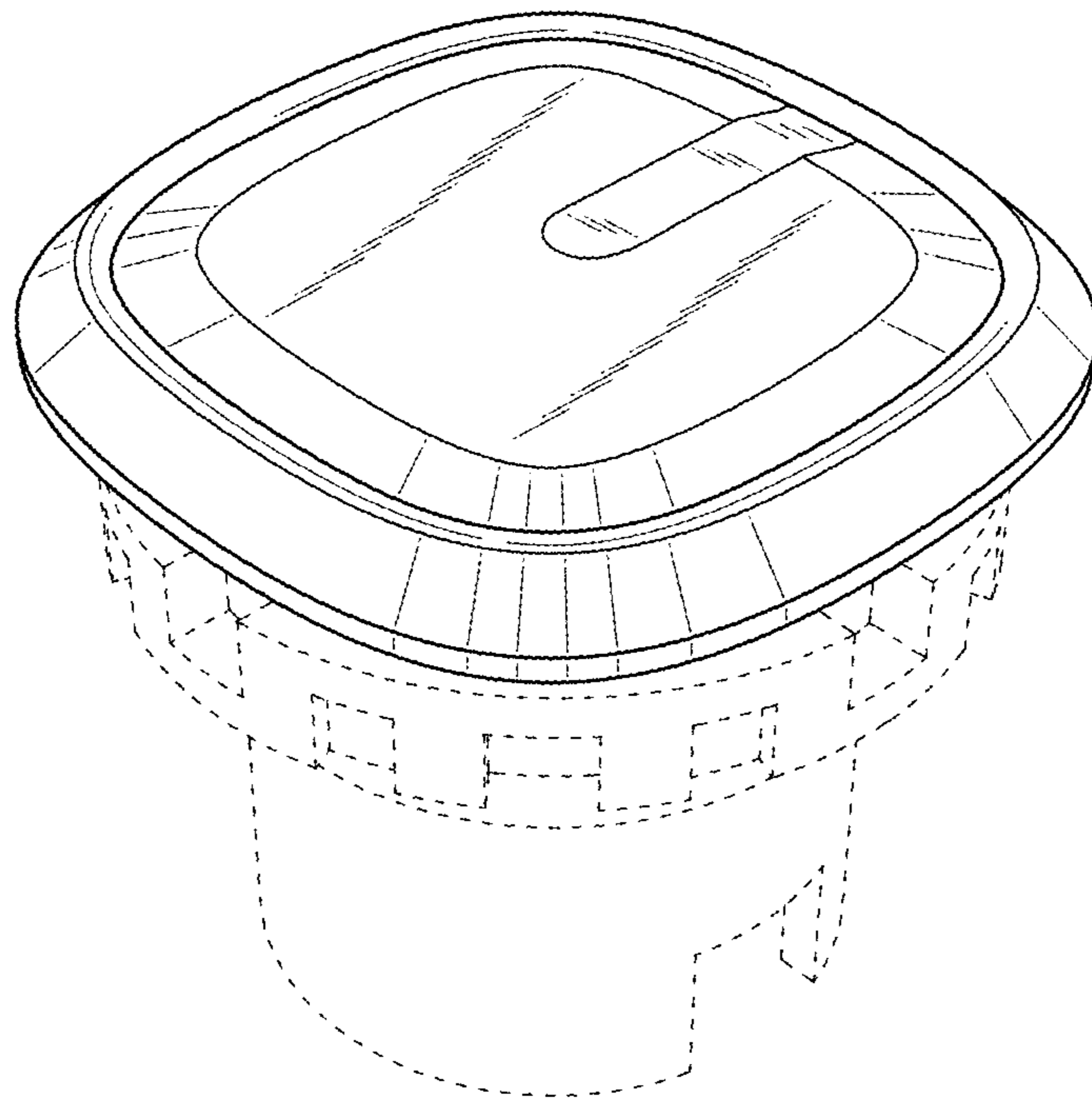


Fig. 2

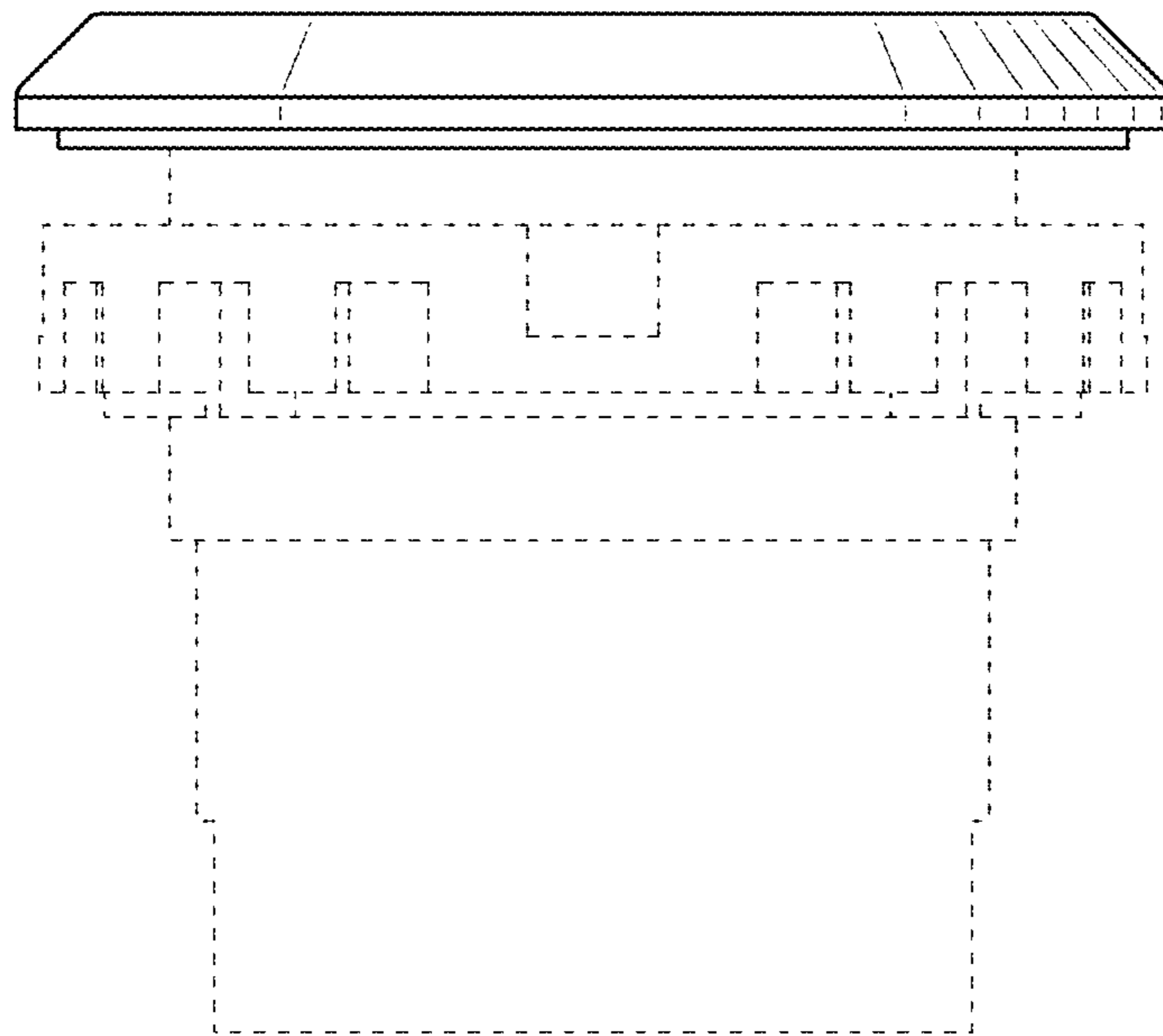


Fig. 3

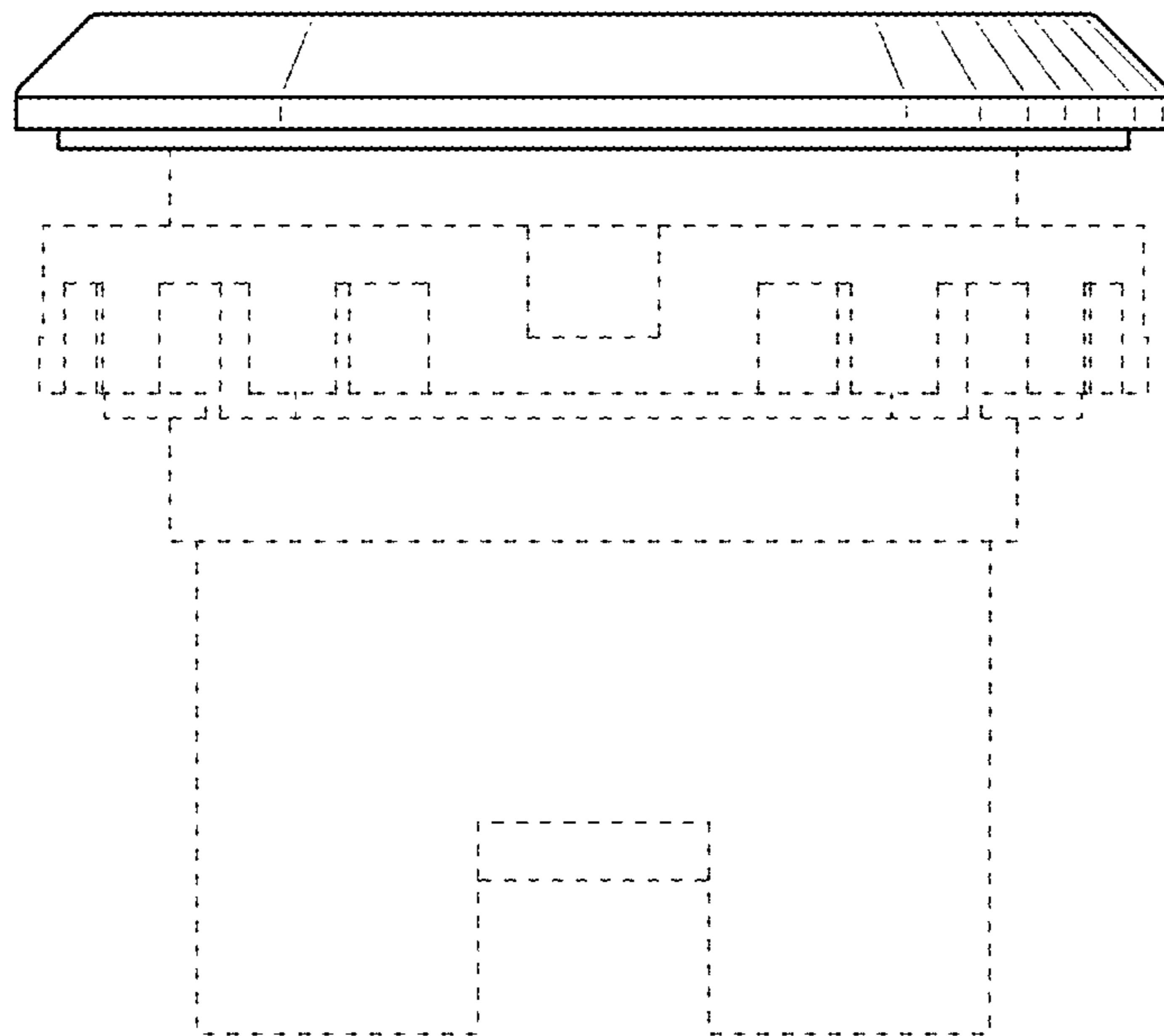


Fig. 4

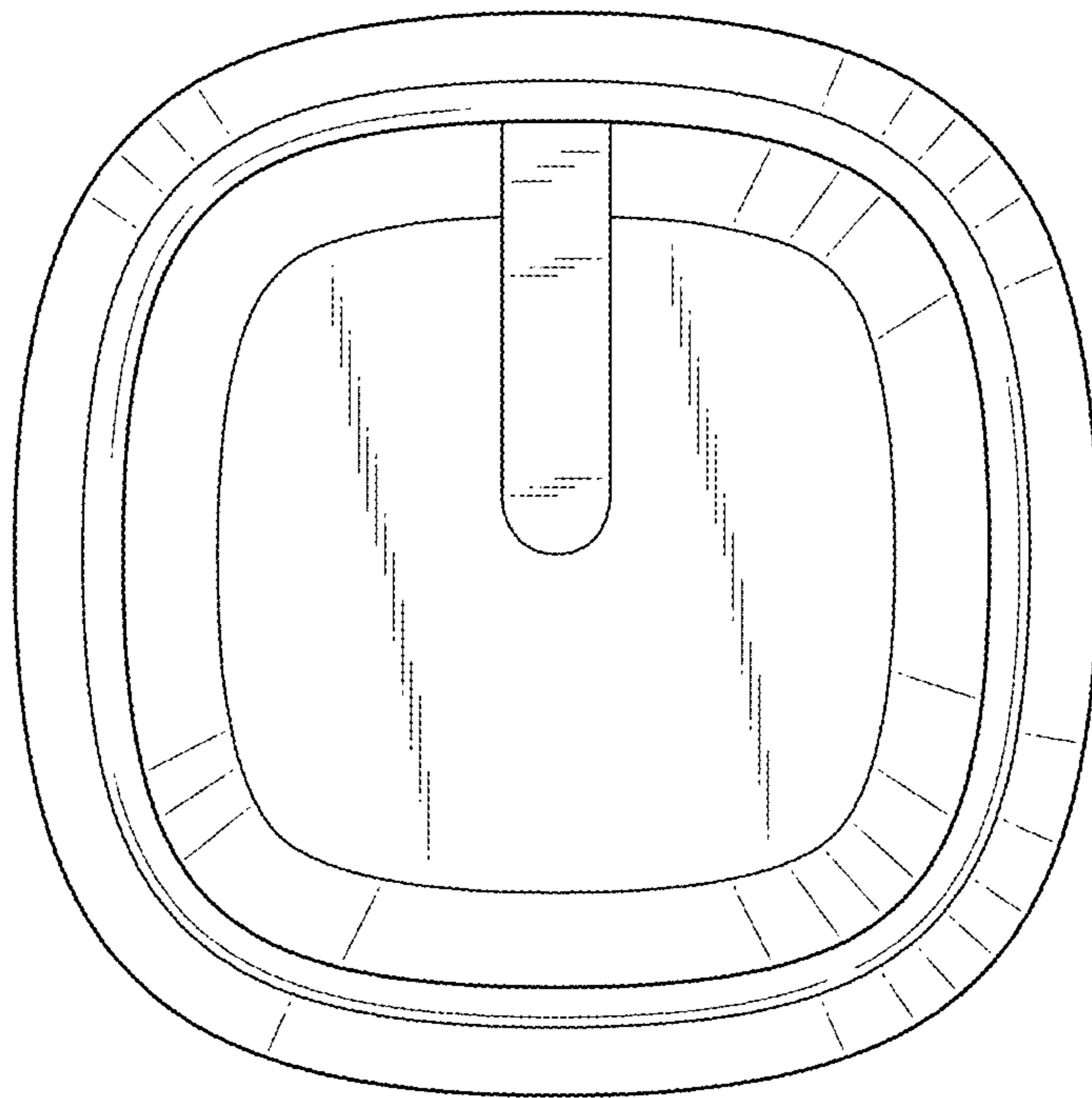


Fig. 5

