



US00D885353S

(12) **United States Design Patent** (10) **Patent No.:** **US D885,353 S**  
**Li et al.** (45) **Date of Patent:** **\*\* \*May 26, 2020**

- (54) **SWITCH** 4,899,063 A \* 2/1990 Suck ..... H01H 13/70  
200/5 A
- (71) Applicant: **Raffel Systems, LLC**, Germantown, WI (US) D310,202 S \* 8/1990 Suck ..... D13/164  
D330,012 S \* 10/1992 Takahashi ..... D13/162  
5,362,932 A 11/1994 Inagaki et al.
- (72) Inventors: **Paul Li**, Milwaukee, WI (US); 6,724,102 B1 \* 4/2004 Kelwaski ..... B60L 1/00  
**Kenneth G. Seidl**, Port Washington, WI (US) 307/10.1  
6,800,819 B2 10/2004 Sato et al.  
6,841,748 B2 1/2005 Serizawa et al.  
7,087,847 B2 8/2006 Parkinson et al.
- (73) Assignee: **RAFFEL SYSTEMS, LLC**, Germantown, WI (US) D534,870 S 1/2007 Metschen et al.  
D571,308 S 6/2008 Gastelum et al.  
D607,852 S 1/2010 Riede
- (\*) Notice: This patent is subject to a terminal disclaimer. 8,106,325 B2 \* 1/2012 Laurent ..... H01H 13/70  
200/296
- (\*\*) Term: **15 Years** D689,825 S 9/2013 Wenji et al.  
8,754,344 B2 \* 6/2014 Chiba ..... H01H 23/145  
200/556
- (21) Appl. No.: **29/686,542** 8,766,115 B2 7/2014 Kristen  
8,884,175 B2 11/2014 Botez et al.

(Continued)

- (22) Filed: **Apr. 4, 2019**
- (51) **LOC (12) Cl.** ..... **13-03**
- (52) **U.S. Cl.**  
USPC ..... **D13/169**

- (58) **Field of Classification Search**  
USPC ..... D13/162, 169, 171, 174  
CPC H01H 3/02; H01H 3/022; H01H 3/12; H01H 3/122; H01H 9/02; H01H 9/0235; H01H 13/023; H01H 13/04; H01H 13/06; H01H 13/063; H01H 13/10; H01H 13/12; H01H 13/142; H01H 13/20; H01H 13/30; H01H 13/36; H01H 13/70; H01H 13/86; H01H 21/24; H01H 25/065; H01H 23/02; H01H 23/025; H01H 23/04; H01H 23/08; H01H 23/145; A47C 7/506; A47C 1/0345; A47C 1/035

See application file for complete search history.

- (56) **References Cited**  
U.S. PATENT DOCUMENTS

D305,018 S 12/1989 Pena et al.  
D305,019 S 12/1989 Pena et al.

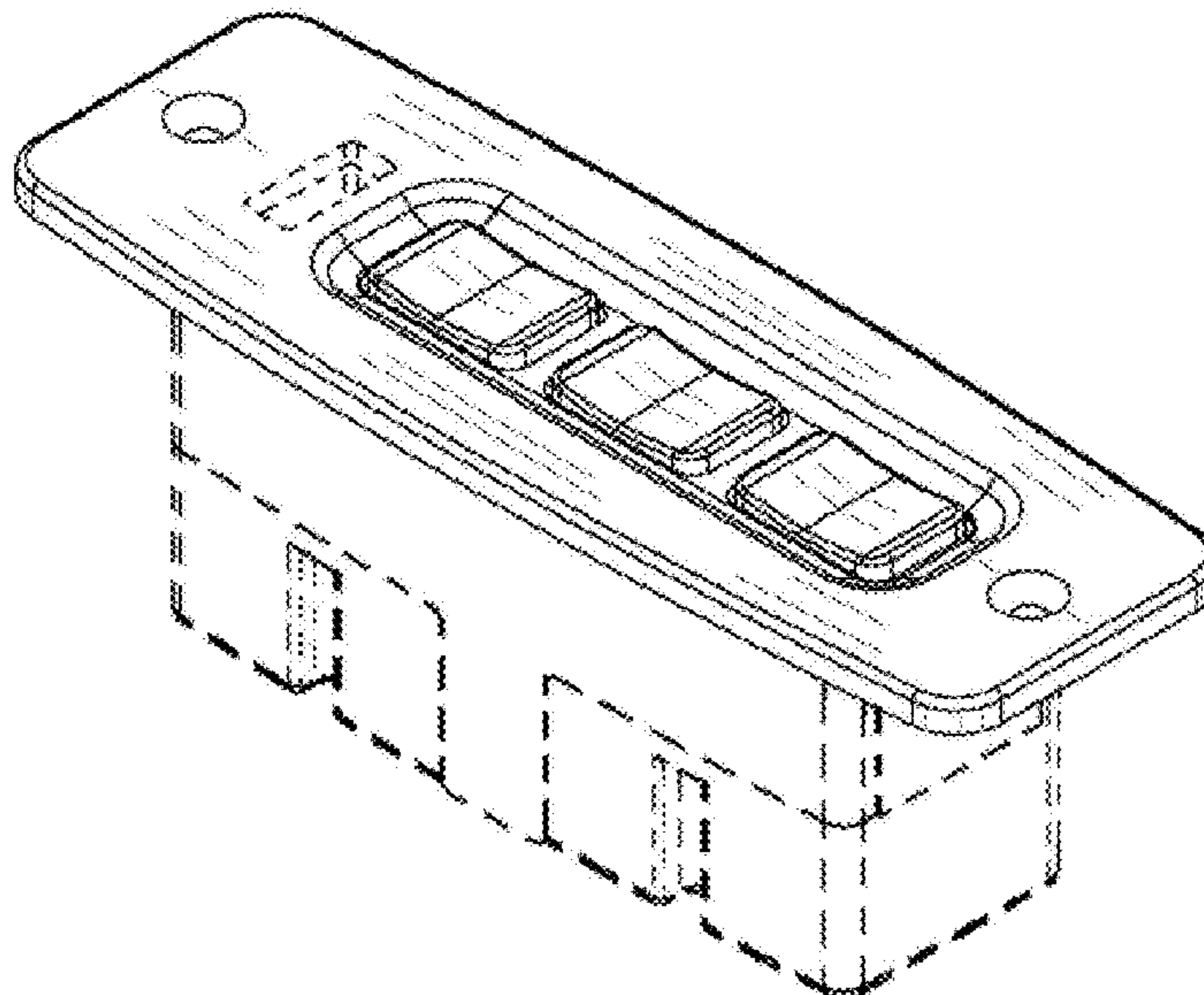
Primary Examiner — Selina Sikder  
(74) Attorney, Agent, or Firm — Casimir Jones S.C.;  
Tyler J. Sisk

- (57) **CLAIM**  
The ornamental design for a switch, as shown and described.

**DESCRIPTION**

FIG. 1 is a three-quarter perspective view showing our new design of a switch;  
FIG. 2 is a front elevational view thereof,  
FIG. 3 is a rear elevational view being thereof;  
FIG. 4 is a right side elevational view thereof,  
FIG. 5 is a left side elevational view thereof,  
FIG. 6 is a top plan view thereof; and,  
FIG. 7 is a bottom plan view thereof.  
The broken lines shown in FIGS. 1 through 7 are for the purpose of illustrating environment and form no part of the claimed design.

**1 Claim, 7 Drawing Sheets**



(56)

**References Cited**

## U.S. PATENT DOCUMENTS

D720,305 S	12/2014	Wenji	
D733,078 S	6/2015	Wu	
D739,361 S	9/2015	Wenji	
D740,238 S	10/2015	Dorn et al.	
D740,763 S	10/2015	Wenji	
D748,590 S	2/2016	Dorn et al.	
D758,325 S	6/2016	Cook et al.	
D758,326 S	6/2016	Dorn et al.	
D758,975 S	6/2016	Hunter et al.	
D764,420 S *	8/2016	Naka .....	D13/171
D777,688 S	1/2017	Seidl et al.	
D782,987 S	4/2017	Gassner	
D786,805 S	5/2017	Anderson et al.	
9,640,343 B2	5/2017	Koch	
D788,718 S *	6/2017	Tang .....	D13/169
D788,719 S	6/2017	Li et al.	
9,804,632 B2	10/2017	Gassner	
D813,179 S *	3/2018	Wu .....	D13/169
D817,898 S	5/2018	Seidl et al.	
D821,986 S	7/2018	Seidl et al.	
D853,975 S *	7/2019	Gassner .....	D13/169
2009/0040074 A1	2/2009	McTavish et al.	
2011/0198894 A1	8/2011	Hsieh et al.	
2014/0306505 A1 *	10/2014	Koch .....	H01H 9/0207 297/330
2014/0353134 A1	12/2014	Muller	
2015/0083564 A1 *	3/2015	Verd Martinez .....	H01H 13/83 200/5 A
2017/0287657 A1 *	10/2017	Naka .....	H01H 13/18

\* cited by examiner

FIG. 1

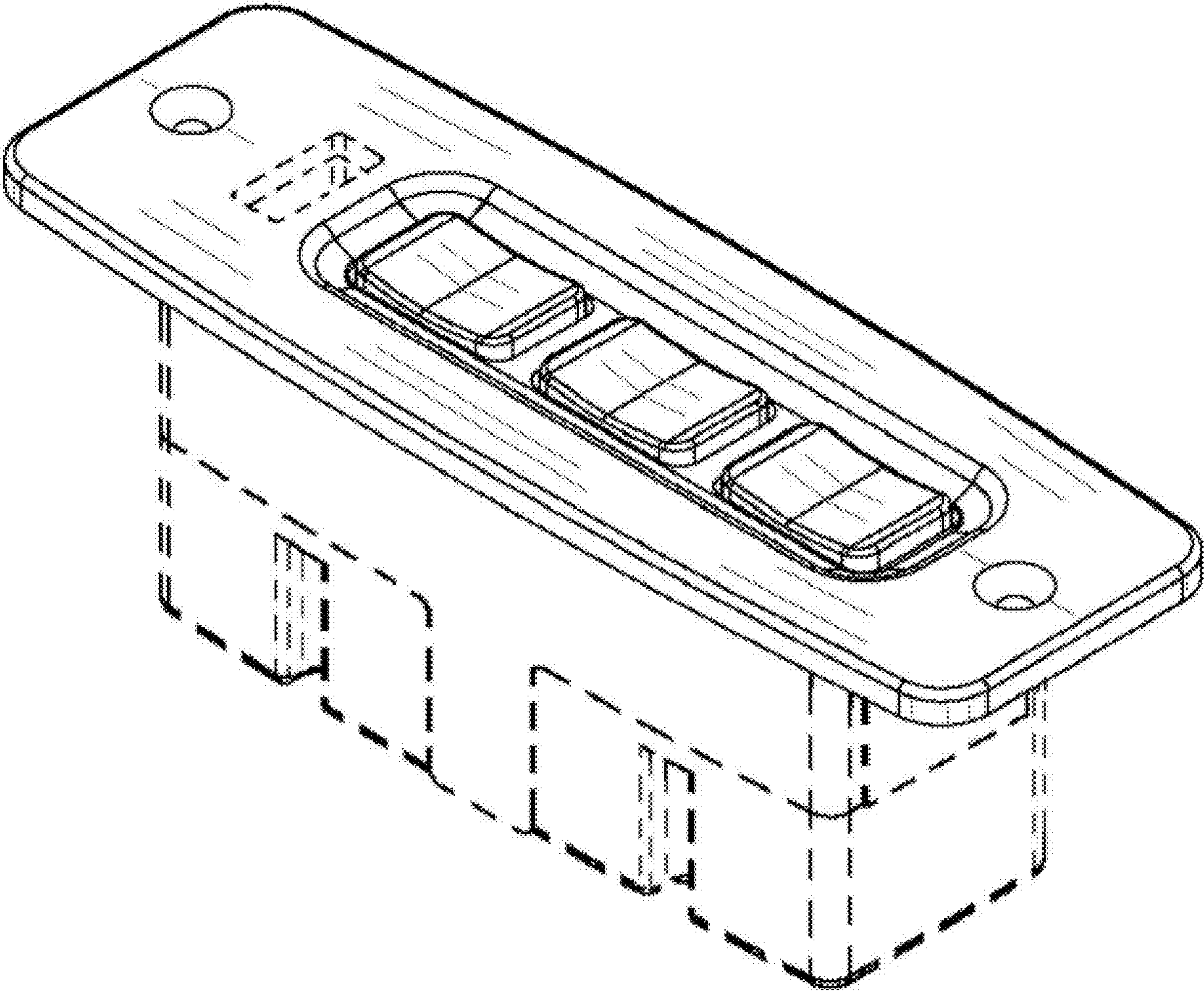




FIG. 2

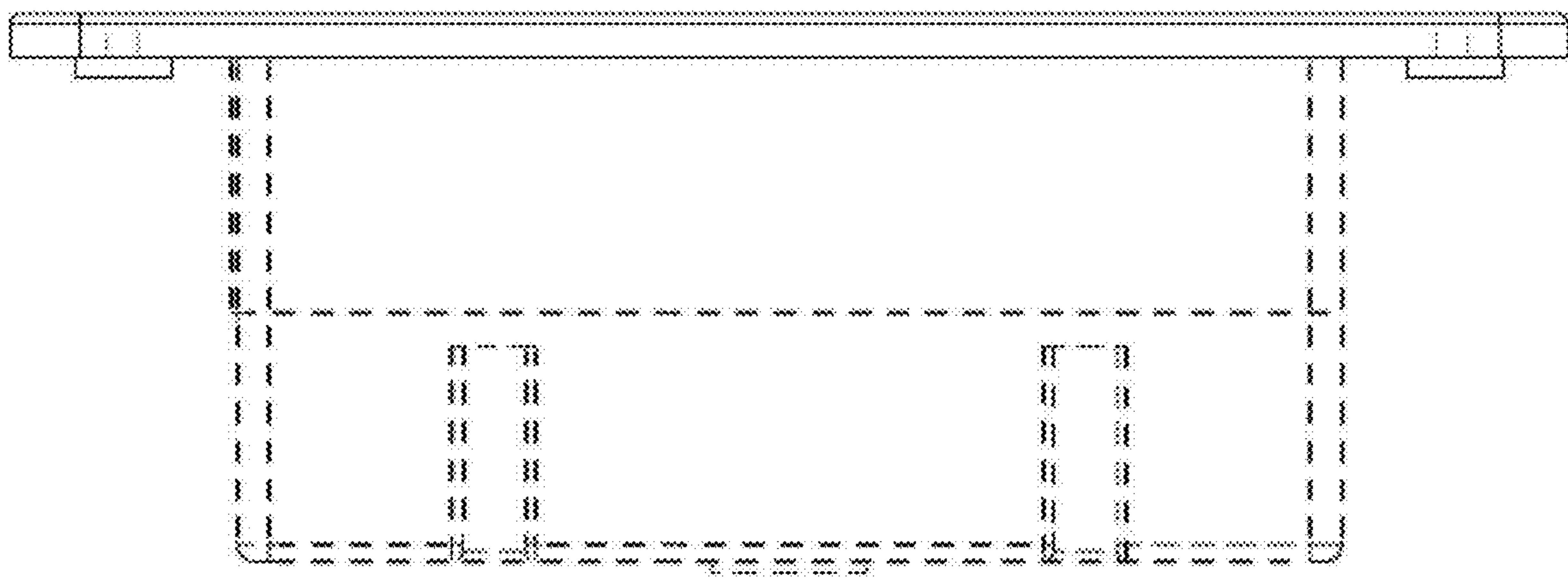


FIG. 3

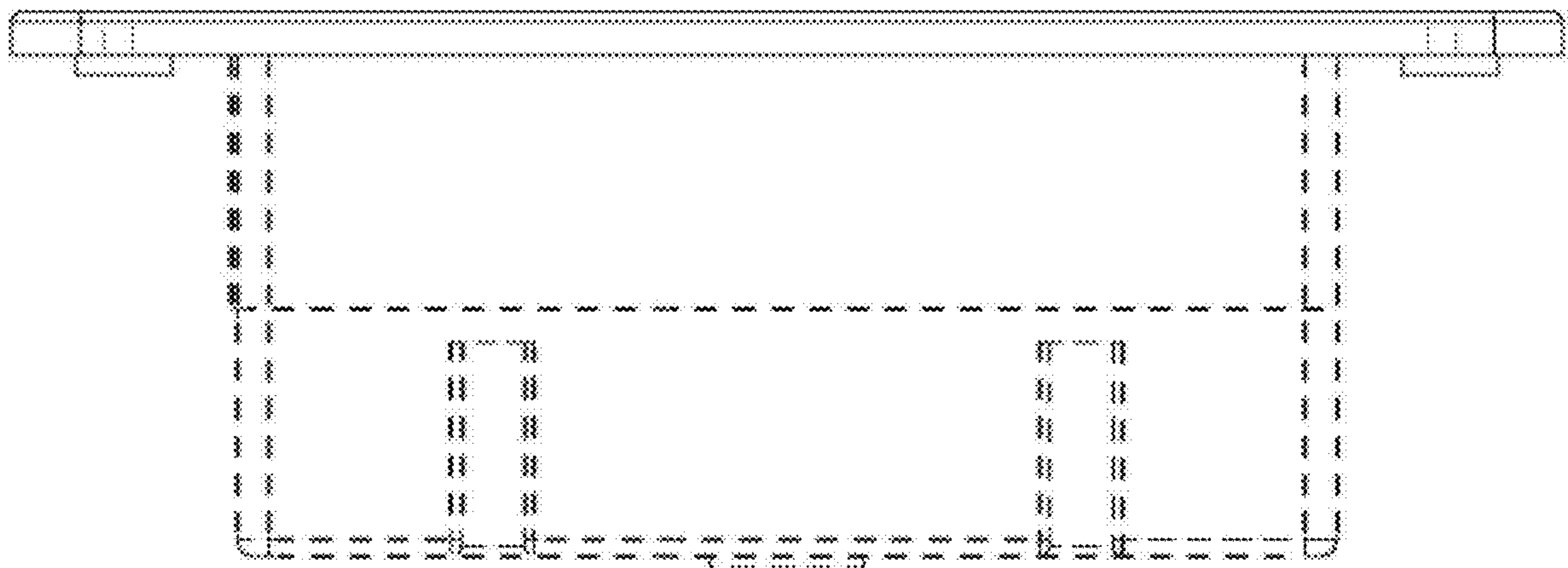


FIG. 4

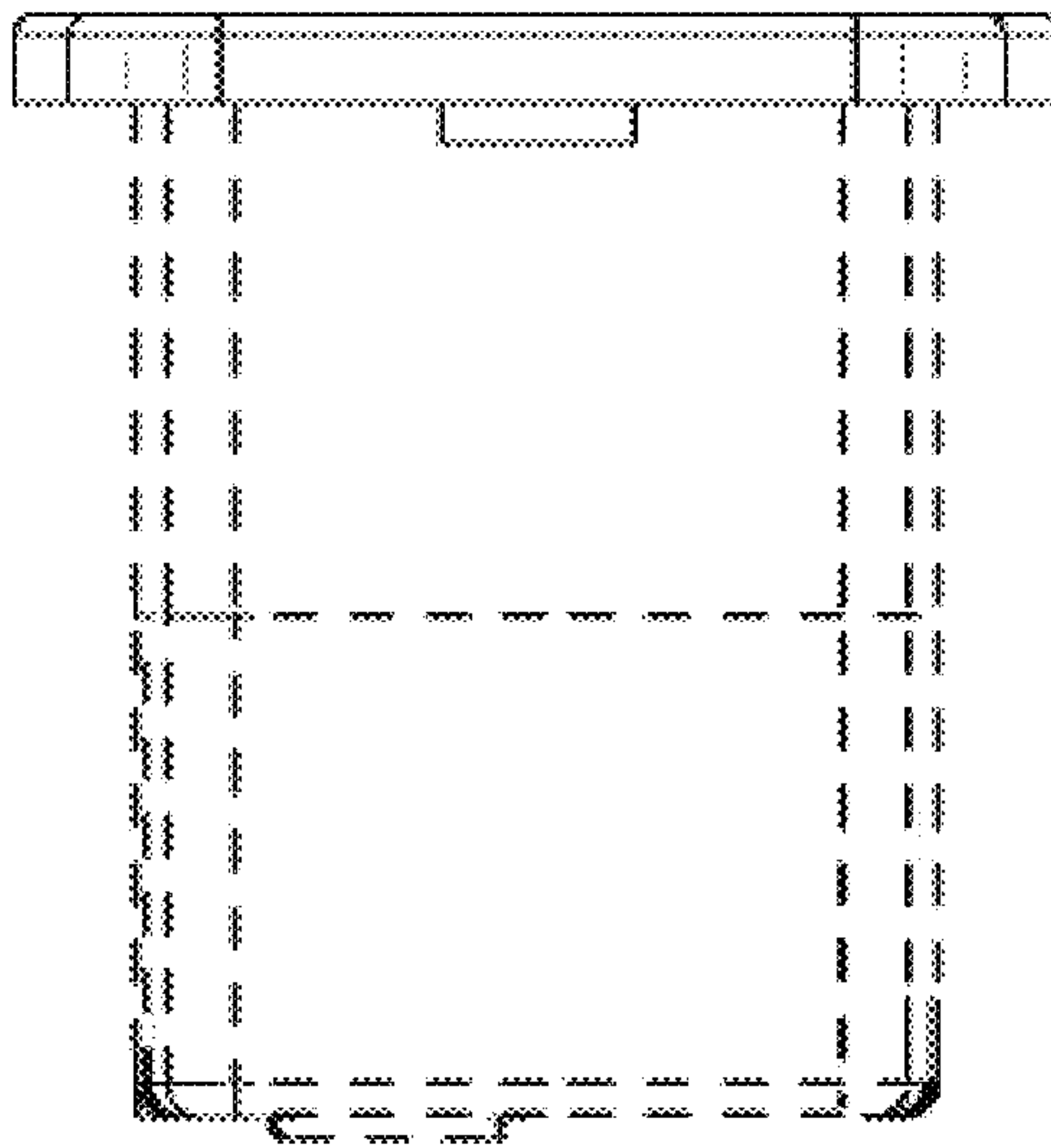


FIG. 5

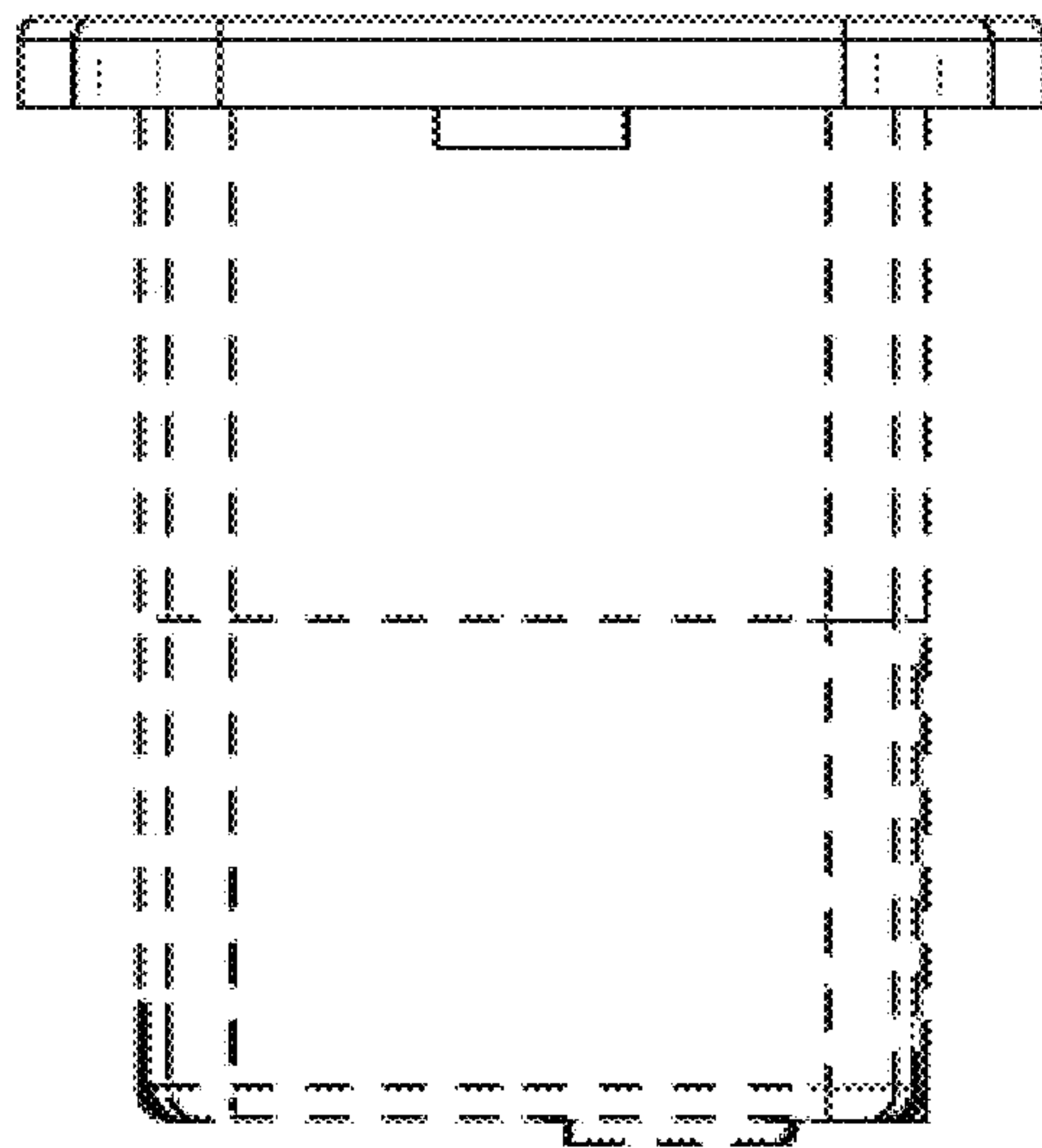


FIG. 6

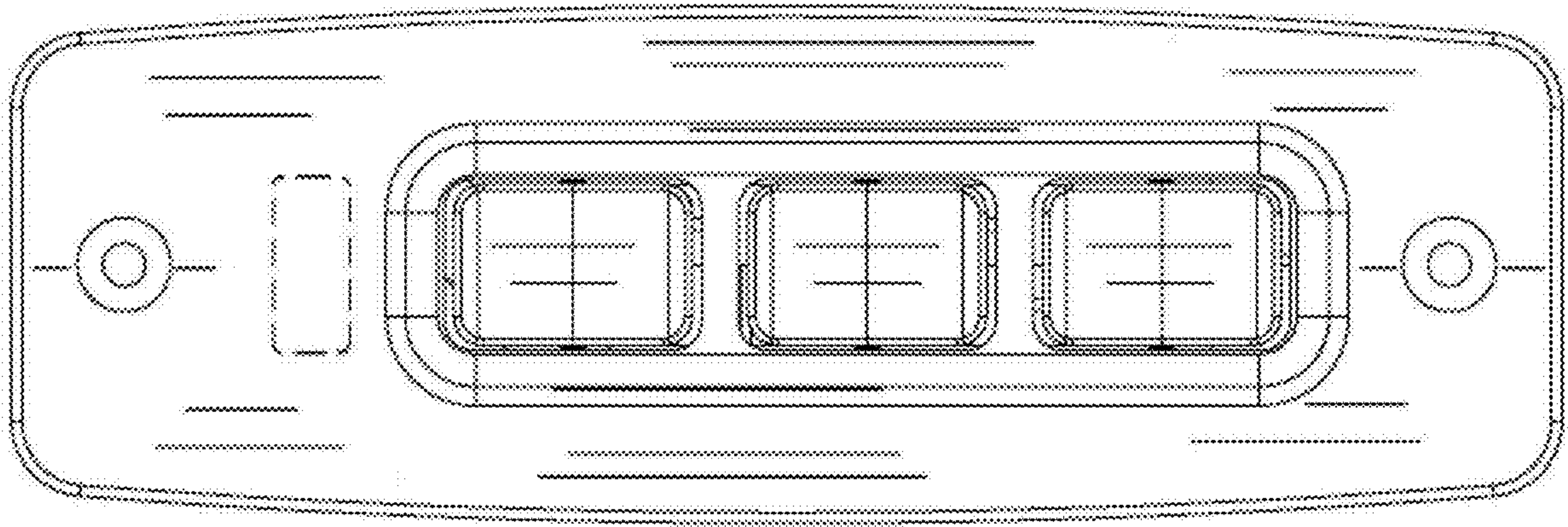




FIG. 7

