



US00D885352S

(12) **United States Design Patent**
Li et al.

(10) **Patent No.:** **US D885,352 S**

(45) **Date of Patent:** **** *May 26, 2020**

(54) **SWITCH**
(71) Applicant: **Raffel Systems, LLC**, Germantown, WI (US)
(72) Inventors: **Paul Li**, Milwaukee, WI (US);
Kenneth G. Seidl, Port Washington, WI (US)
(73) Assignee: **RAFFEL SYSTEMS, LLC**,
Germantown, WI (US)
(*) Notice: This patent is subject to a terminal disclaimer.
(**) Term: **15 Years**
(21) Appl. No.: **29/686,541**

4,899,063 A * 2/1990 Suck H01H 13/70
200/5 A
D310,202 S * 8/1990 Suck D13/164
D330,012 S * 10/1992 Takahashi D13/162
5,362,932 A 11/1994 Inagaki et al.
6,724,102 B1 * 4/2004 Kelwaski B60L 1/00
307/10.1
6,800,819 B2 10/2004 Sato et al.
6,841,748 B2 1/2005 Serizawa et al.
7,087,847 B2 8/2006 Parkinson et al.
D534,870 S 1/2007 Metschen et al.
D571,308 S 6/2008 Gastelum et al.
D607,852 S 1/2010 Riede
8,106,325 B2 * 1/2012 Laurent H01H 13/70
200/296
D689,825 S 9/2013 Wenji et al.
8,754,344 B2 * 6/2014 Chiba H01H 23/145
200/556
8,766,115 B2 7/2014 Kristen
8,884,175 B2 11/2014 Botez et al.

(Continued)

(22) Filed: **Apr. 4, 2019**
(51) **LOC (12) Cl.** **13-03**
(52) **U.S. Cl.**
USPC **D13/169**
(58) **Field of Classification Search**
USPC D13/162, 169, 171, 174
CPC H01H 3/02; H01H 3/022; H01H 3/12;
H01H 3/122; H01H 9/02; H01H 9/0235;
H01H 13/023; H01H 13/04; H01H 13/06;
H01H 13/063; H01H 13/10; H01H 13/12;
H01H 13/142; H01H 13/20; H01H 13/30;
H01H 13/36; H01H 13/70; H01H 13/86;
H01H 21/24; H01H 25/065; H01H 23/02;
H01H 23/025; H01H 23/04; H01H 23/08;
H01H 23/145; A47C 7/506; A47C
1/0345; A47C 1/035
See application file for complete search history.

Primary Examiner — Selina Sikder
(74) *Attorney, Agent, or Firm* — Casimir Jones S.C.;
Tyler Sisk

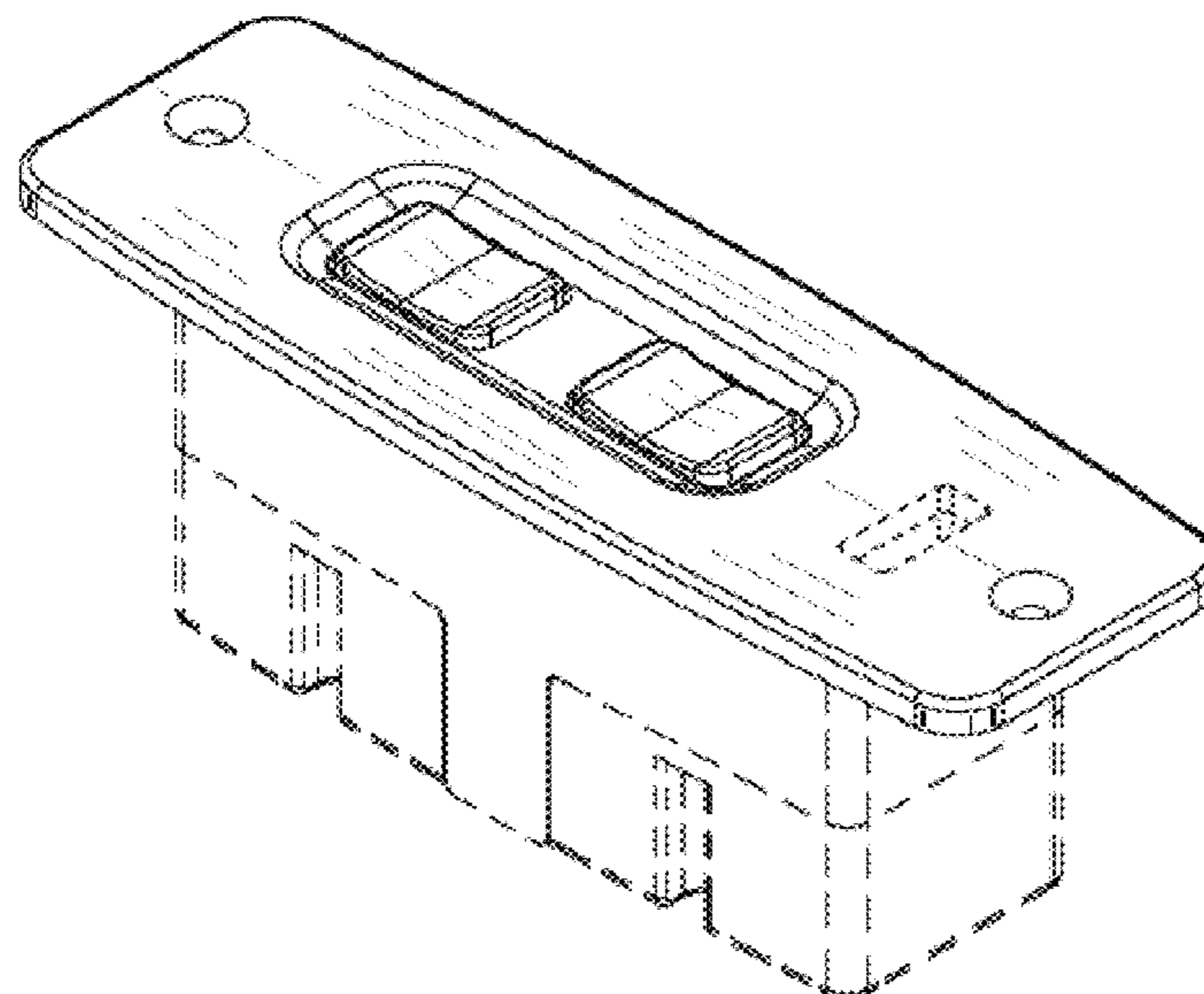
(57) **CLAIM**
The ornamental design for a switch, as shown and described.

DESCRIPTION

FIG. 1 is a three-quarter perspective view showing our new design of a switch;
FIG. 2 is a front elevational view thereof,
FIG. 3 is a rear elevational view being thereof;
FIG. 4 is a right side elevational view thereof,
FIG. 5 is a left side elevational view thereof,
FIG. 6 is a top plan view thereof; and,
FIG. 7 is a bottom plan view thereof.
The broken lines shown in FIGS. 1 through 7 are for the purpose of illustrating environment and form no part of the claimed design.

(56) **References Cited**
U.S. PATENT DOCUMENTS
D305,018 S 12/1989 Pena et al.
D305,019 S 12/1989 Pena et al.

1 Claim, 7 Drawing Sheets



(56)

References Cited

U.S. PATENT DOCUMENTS

| | | | | |
|--------------|------|---------|---------------------|------------------------|
| D720,305 | S | 12/2014 | Wenji | |
| D733,078 | S | 6/2015 | Wu | |
| D739,361 | S | 9/2015 | Wenji | |
| D740,238 | S | 10/2015 | Dorn et al. | |
| D740,763 | S | 10/2015 | Wenji | |
| D748,590 | S | 2/2016 | Dorn et al. | |
| D758,325 | S | 6/2016 | Cook et al. | |
| D758,326 | S | 6/2016 | Dorn et al. | |
| D758,975 | S | 6/2016 | Hunter et al. | |
| D764,420 | S * | 8/2016 | Naka | D13/171 |
| D777,688 | S | 1/2017 | Seidl et al. | |
| D782,987 | S | 4/2017 | Gassner | |
| D786,805 | S | 5/2017 | Anderson et al. | |
| 9,640,343 | B2 | 5/2017 | Koch | |
| D788,718 | S * | 6/2017 | Tang | D13/169 |
| D788,719 | S | 6/2017 | Li et al. | |
| 9,804,632 | B2 | 10/2017 | Gassner | |
| D813,179 | S * | 3/2018 | Wu | D13/169 |
| D817,898 | S | 5/2018 | Seidl et al. | |
| D821,986 | S | 7/2018 | Seidl et al. | |
| D853,975 | S * | 7/2019 | Gassner | D13/169 |
| 2009/0040074 | A1 | 2/2009 | McTavish et al. | |
| 2011/0198894 | A1 | 8/2011 | Hsieh et al. | |
| 2014/0306505 | A1 * | 10/2014 | Koch | H01H 9/0207 297/330 |
| 2014/0353134 | A1 | 12/2014 | Muller | |
| 2015/0083564 | A1 * | 3/2015 | Verd Martinez | H01H 13/83 200/5 A |
| 2017/0287657 | A1 * | 10/2017 | Naka | H01H 13/18 |

* cited by examiner

FIG. 1

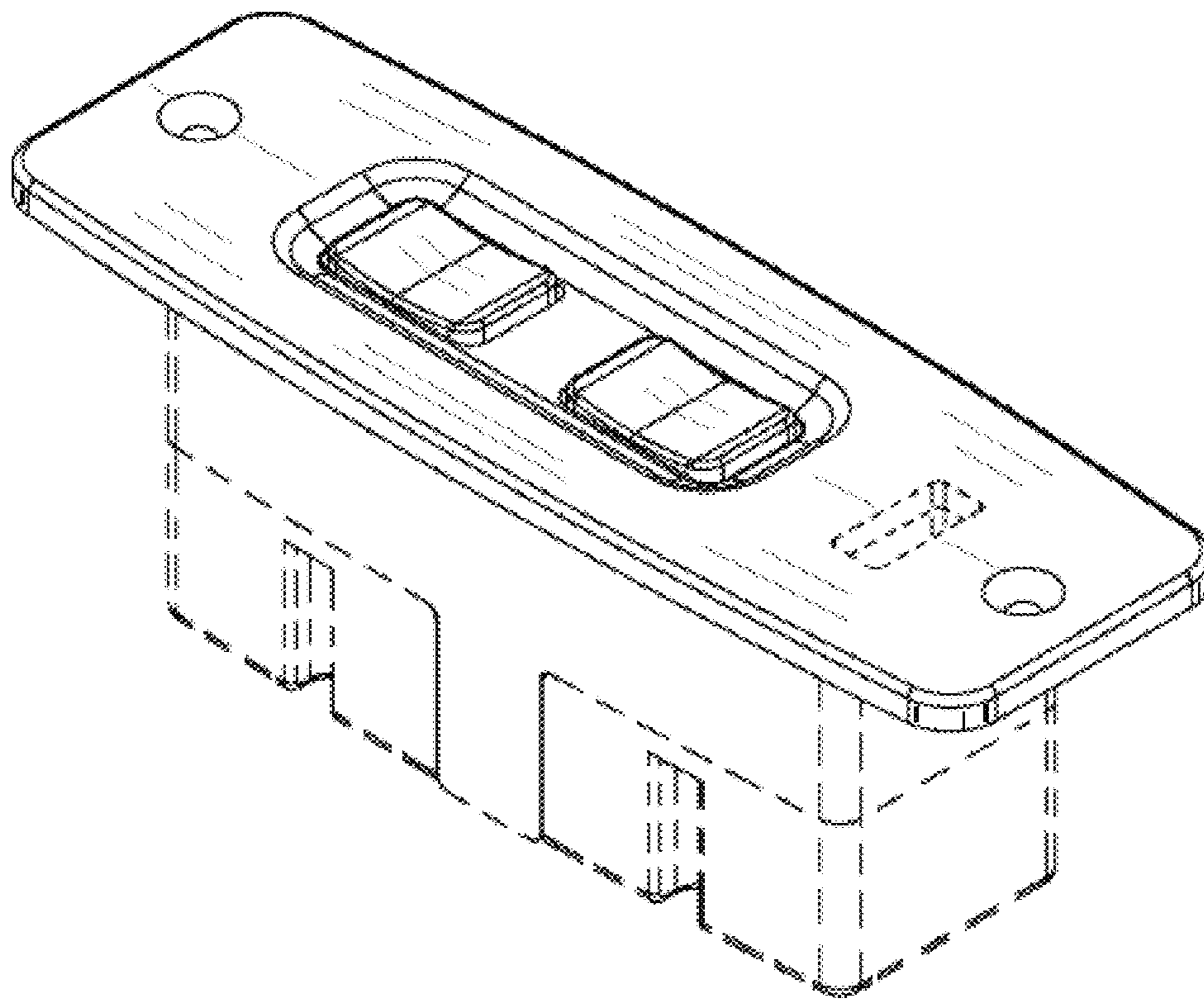


FIG. 2

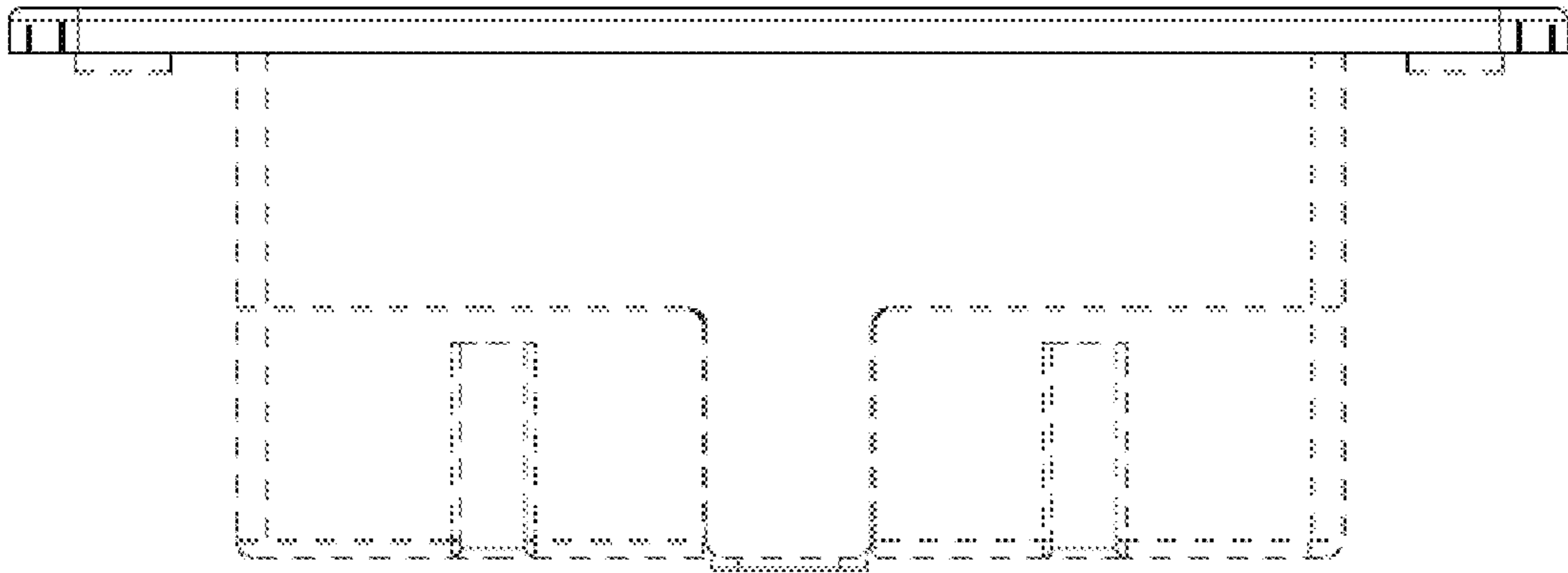


FIG. 3

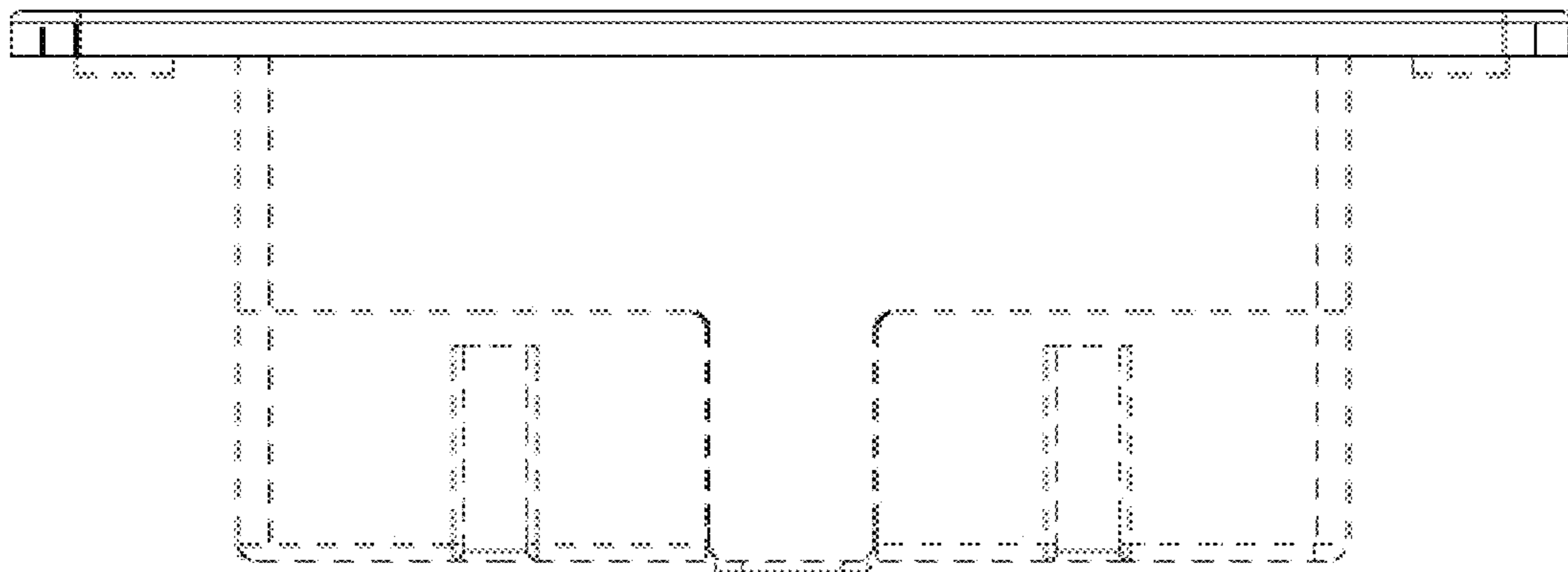


FIG. 4

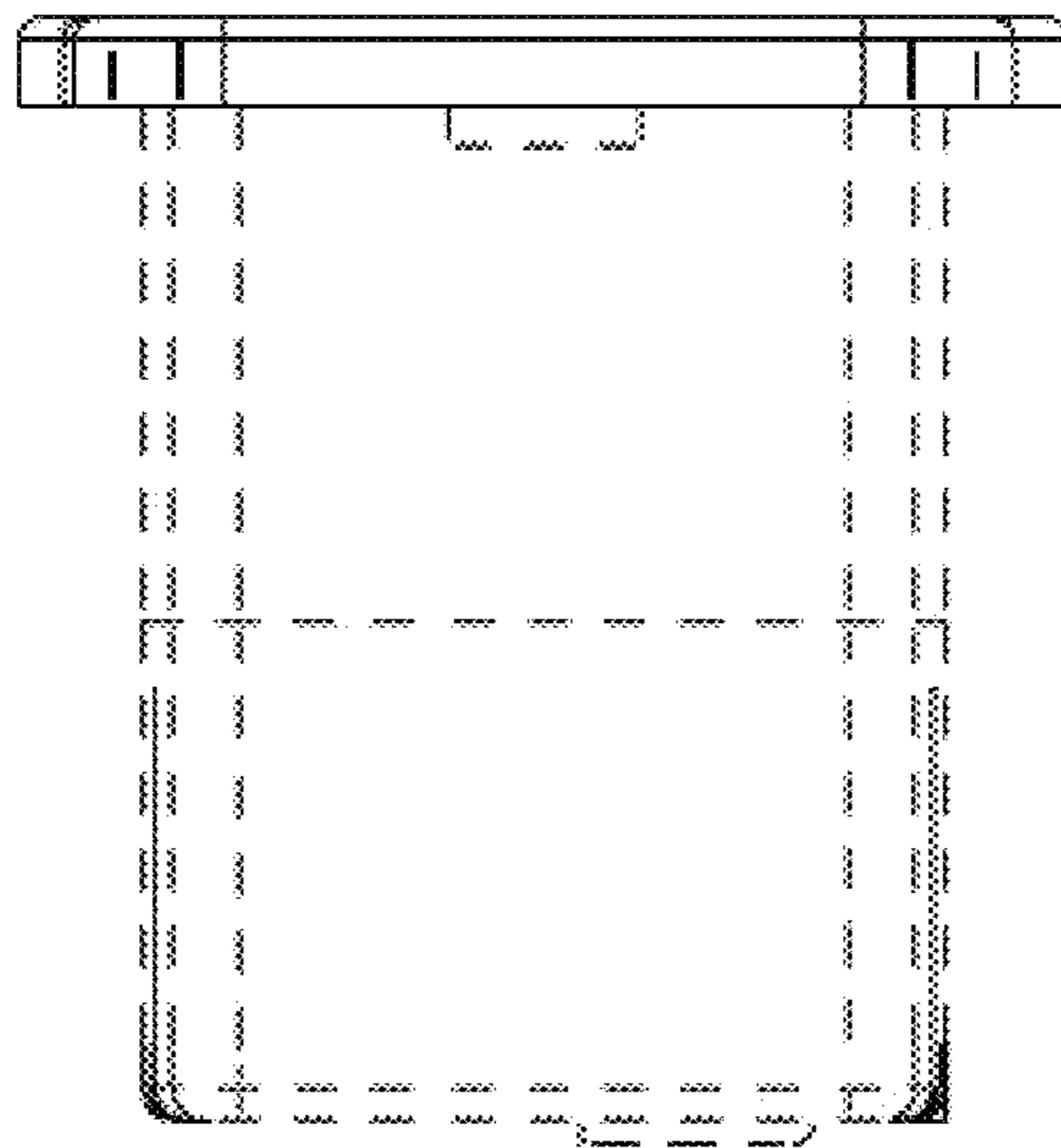


FIG. 5

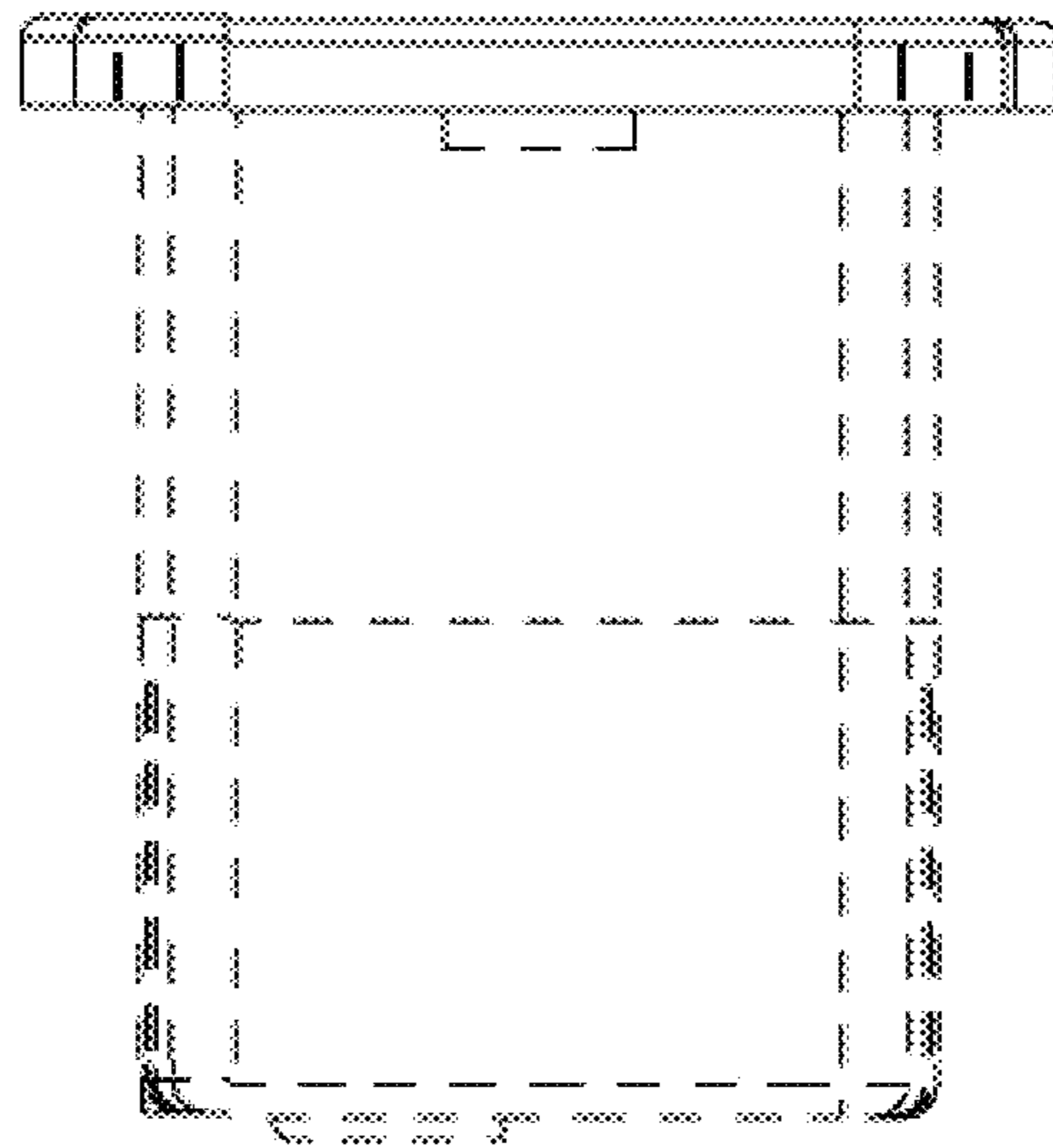


FIG. 6

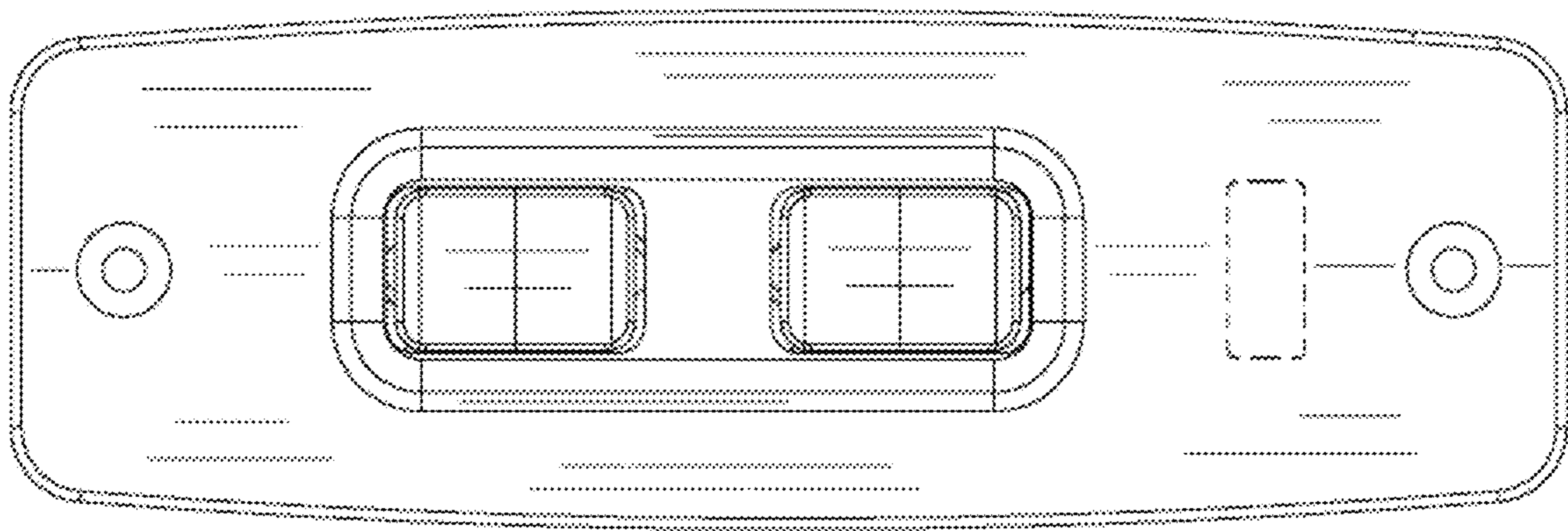


FIG. 7

