



US00D885351S

(12) **United States Design Patent** (10) **Patent No.:** **US D885,351 S**
Li et al. (45) **Date of Patent:** **** *May 26, 2020**

(54) **SWITCH** 4,899,063 A * 2/1990 Suck H01H 13/70
200/5 A

(71) Applicant: **Raffel Systems, LLC**, Germantown, WI (US) D310,202 S * 8/1990 Suck D13/164
D330,012 S * 10/1992 Takahashi D13/162
5,362,932 A 11/1994 Inagaki et al.

(72) Inventors: **Paul Li**, Milwaukee, WI (US); 6,724,102 B1 * 4/2004 Kelwaski B60L 1/00
Kenneth G. Seidl, Port Washington, WI (US) 307/10.1

(73) Assignee: **RAFFEL SYSTEMS, LLC**, Germantown, WI (US) 6,800,819 B2 10/2004 Sato et al.
6,841,748 B2 1/2005 Serizawa et al.
7,087,847 B2 8/2006 Parkinson et al.
D534,870 S 1/2007 Metschen et al.
D571,308 S 6/2008 Gastelum et al.
D607,852 S 1/2010 Riede

(*) Notice: This patent is subject to a terminal disclaimer. 8,106,325 B2 * 1/2012 Laurent H01H 13/70
200/296

(**) Term: **15 Years** D689,825 S 9/2013 Wenji et al.
8,754,344 B2 * 6/2014 Chiba H01H 23/145
200/556

(21) Appl. No.: **29/686,540** 8,766,115 B2 7/2014 Kristen
8,884,175 B2 11/2014 Botez et al.

(Continued)

(22) Filed: **Apr. 4, 2019**

(51) **LOC (12) Cl.** **13-03**

(52) **U.S. Cl.**
USPC **D13/169**

(58) **Field of Classification Search**

USPC D13/162, 169, 171, 174

CPC H01H 3/02; H01H 3/022; H01H 3/12; H01H 3/122; H01H 9/02; H01H 9/0235; H01H 13/023; H01H 13/04; H01H 13/06; H01H 13/063; H01H 13/10; H01H 13/12; H01H 13/142; H01H 13/20; H01H 13/30; H01H 13/36; H01H 13/70; H01H 13/86; H01H 21/24; H01H 25/065; H01H 23/02; H01H 23/025; H01H 23/04; H01H 23/08; H01H 23/145; A47C 7/506; A47C 1/0345; A47C 1/035

See application file for complete search history.

(56) **References Cited**
U.S. PATENT DOCUMENTS

D305,018 S 12/1989 Pena et al.
D305,019 S 12/1989 Pena et al.

Primary Examiner — Selina Sikder
(74) *Attorney, Agent, or Firm* — Casimir Jones S.C.;
Tyler Sisk

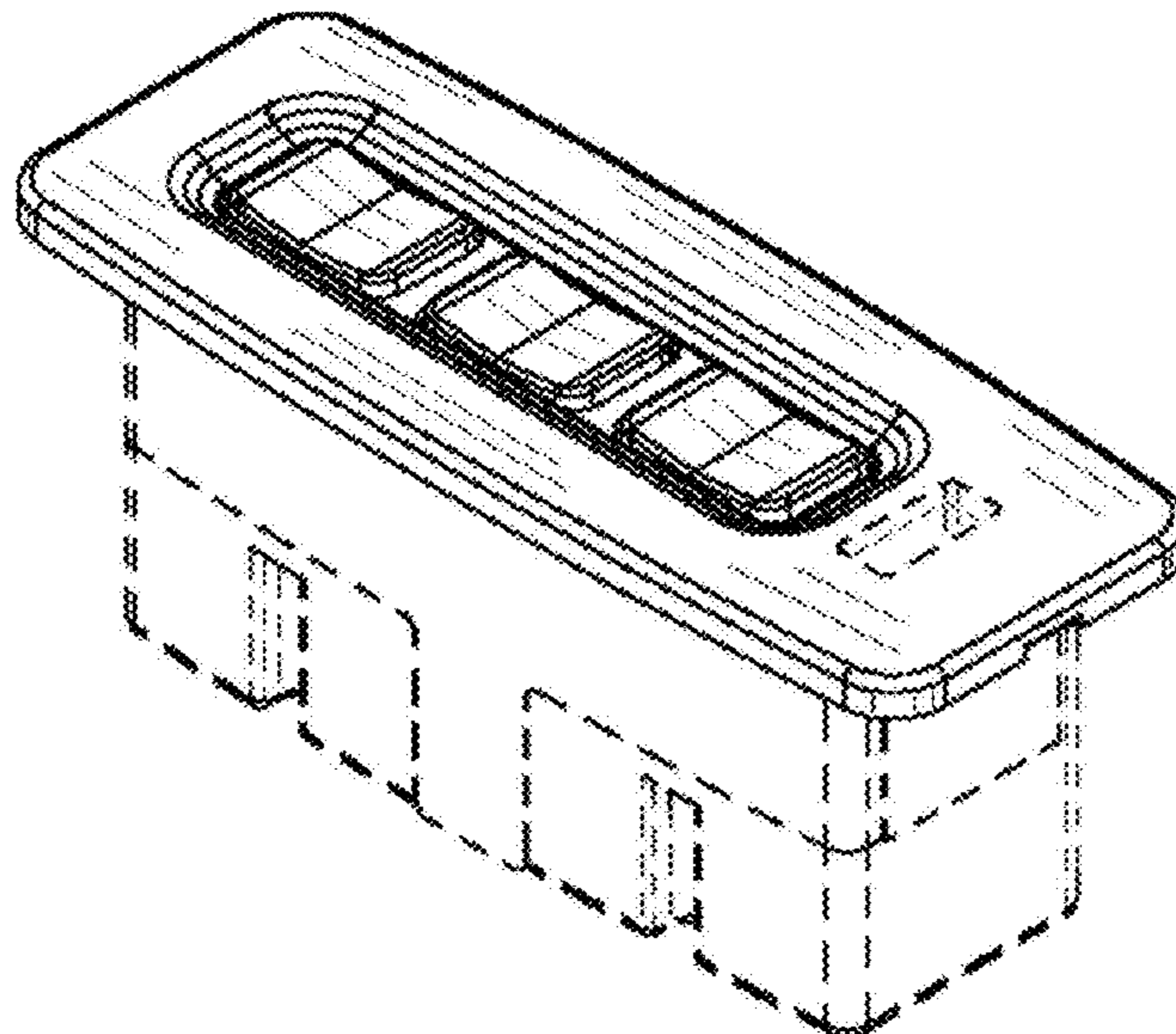
(57) **CLAIM**

The ornamental design for a switch, as shown and described.

DESCRIPTION

FIG. 1 is a three-quarter perspective view showing our new design of a switch;
FIG. 2 is a front elevational view thereof,
FIG. 3 is a rear elevational view being thereof;
FIG. 4 is a right side elevational view thereof,
FIG. 5 is a left side elevational view thereof,
FIG. 6 is a top plan view thereof; and,
FIG. 7 is a bottom plan view thereof.
The broken lines shown in FIGS. 1 through 7 are for the purpose of illustrating environment and form no part of the claimed design.

1 Claim, 7 Drawing Sheets



(56)

References Cited

U.S. PATENT DOCUMENTS

D720,305	S	12/2014	Wenji	
D733,078	S	6/2015	Wu	
D739,361	S	9/2015	Wenji	
D740,238	S	10/2015	Dorn et al.	
D740,763	S	10/2015	Wenji	
D748,590	S	2/2016	Dorn et al.	
D758,325	S	6/2016	Cook et al.	
D758,326	S	6/2016	Dorn et al.	
D758,975	S	6/2016	Hunter et al.	
D764,420	S *	8/2016	Naka	D13/171
D777,688	S	1/2017	Seidl et al.	
D782,987	S	4/2017	Gassner	
D786,805	S	5/2017	Anderson et al.	
9,640,343	B2	5/2017	Koch	
D788,718	S *	6/2017	Tang	D13/169
D788,719	S	6/2017	Li et al.	
9,804,632	B2	10/2017	Gassner	
D813,179	S *	3/2018	Wu	D13/169
D817,898	S	5/2018	Seidl et al.	
D821,986	S	7/2018	Seidl et al.	
D853,975	S *	7/2019	Gassner	D13/169
2009/0040074	A1	2/2009	McTavish et al.	
2011/0198894	A1	8/2011	Hsieh et al.	
2014/0306505	A1 *	10/2014	Koch	H01H 9/0207 297/330
2014/0353134	A1	12/2014	Muller	
2017/0287657	A1 *	10/2017	Naka	H01H 13/18

* cited by examiner

FIG. 1

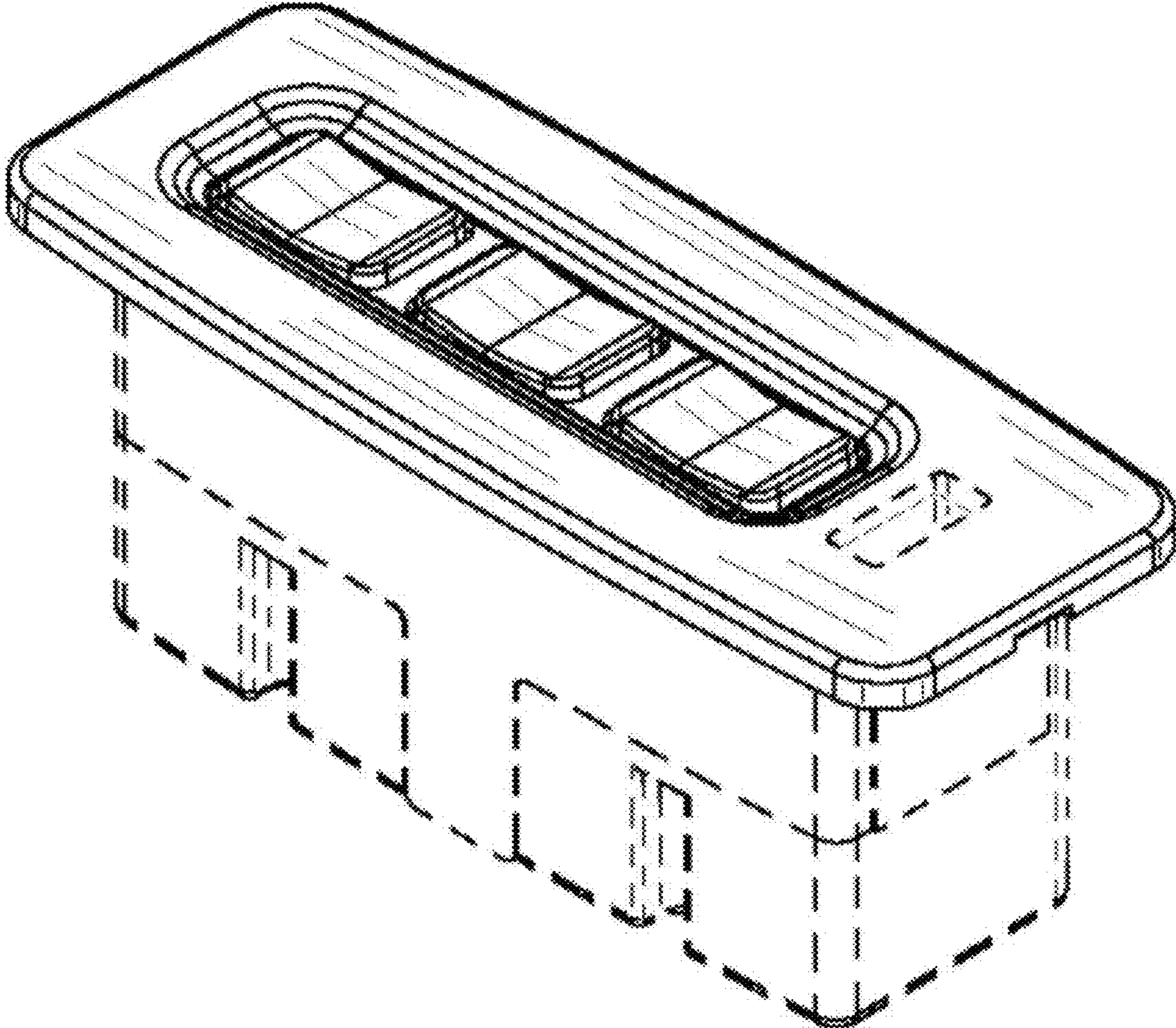


FIG. 2

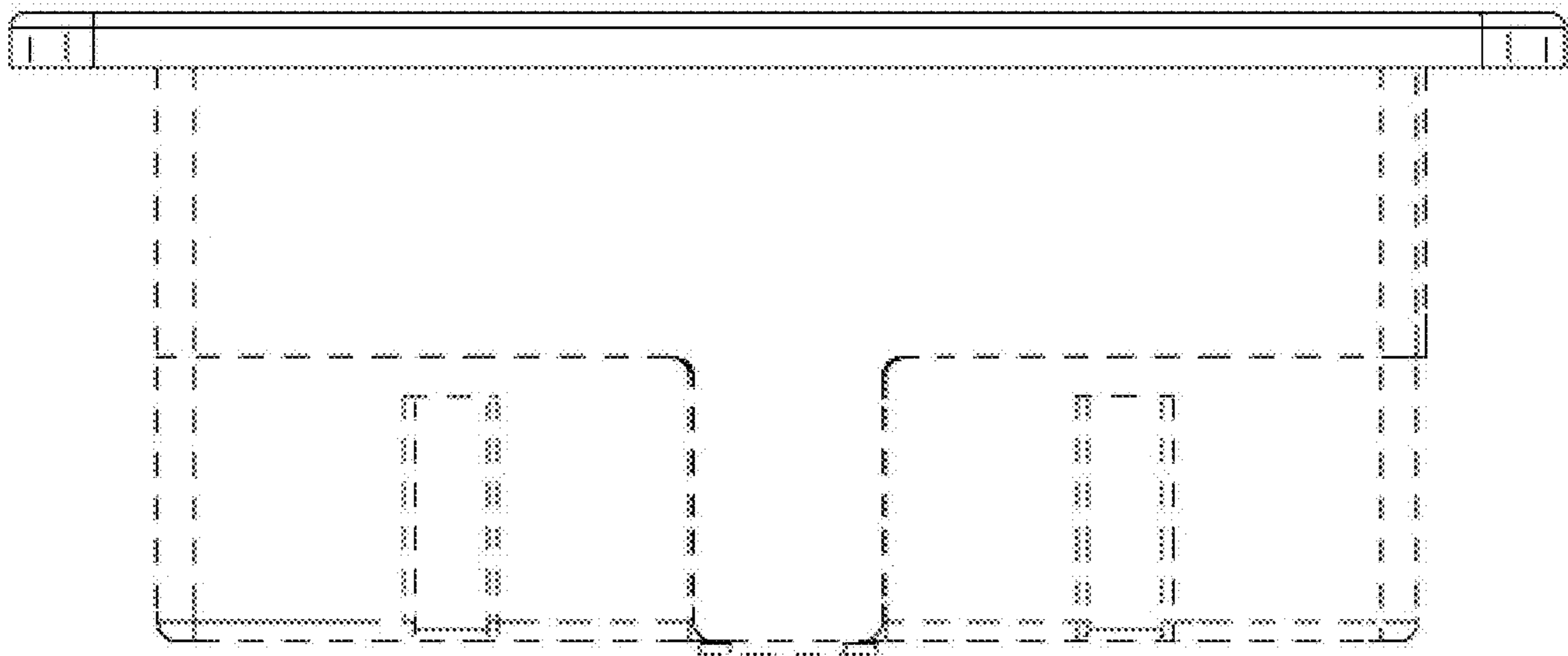


FIG. 3

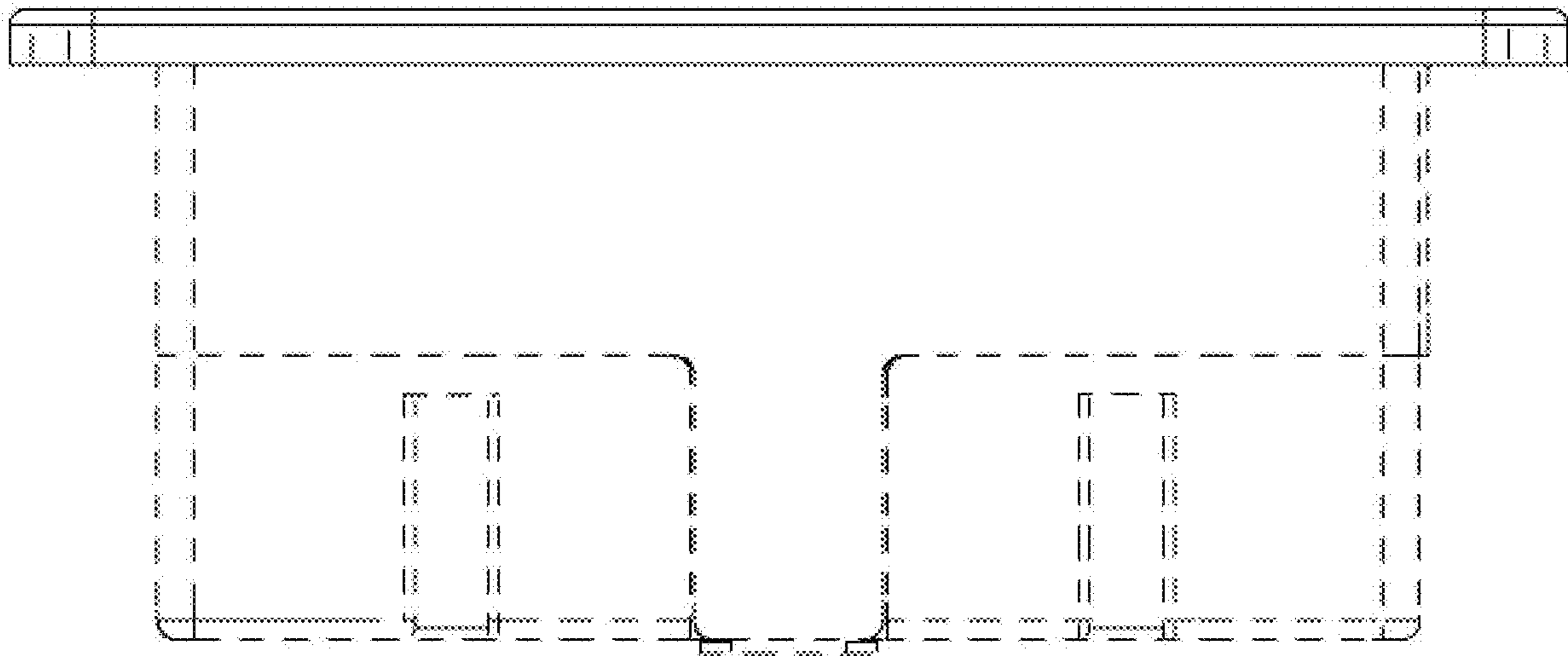


FIG. 4

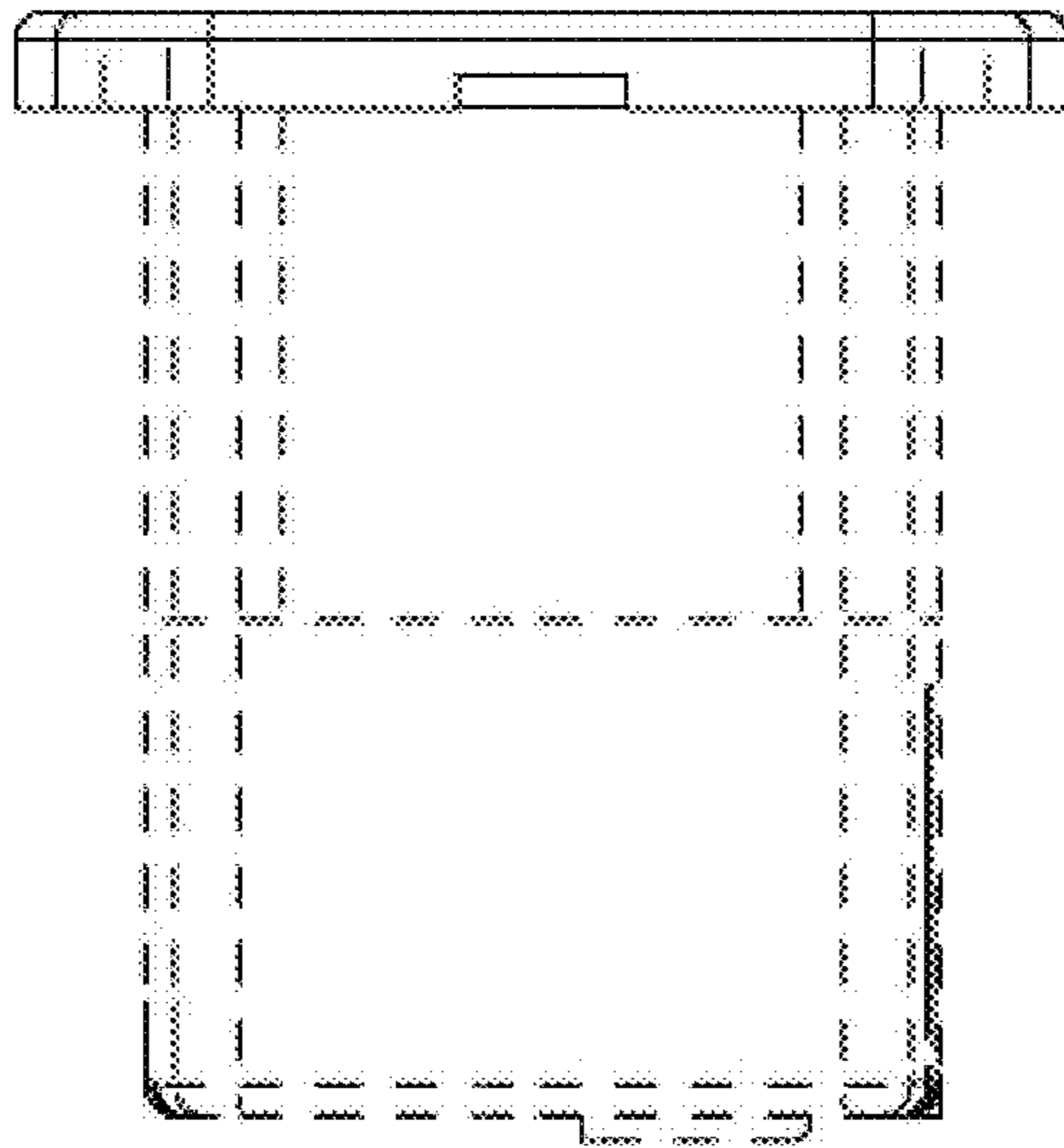


FIG. 5

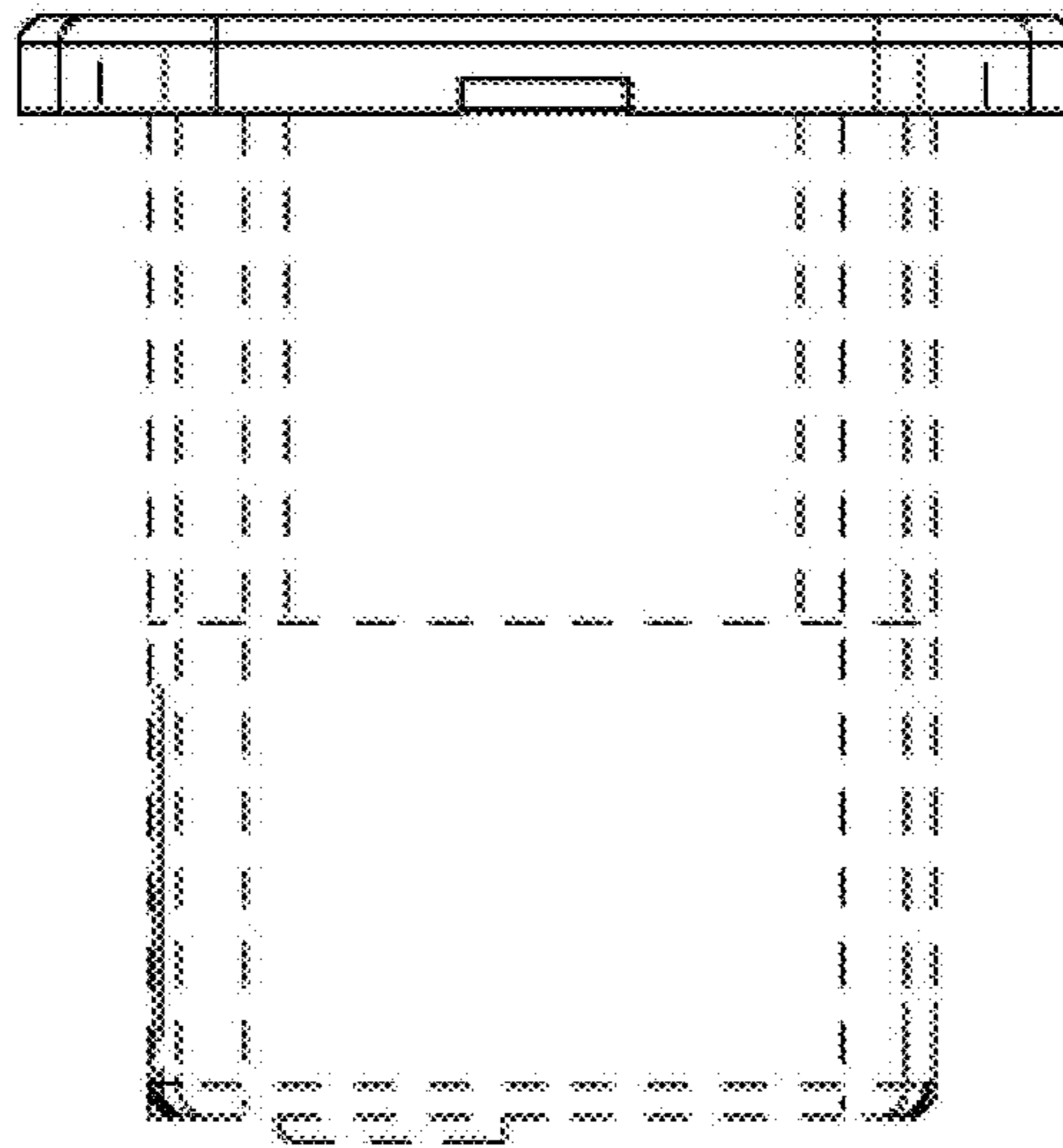


FIG. 6

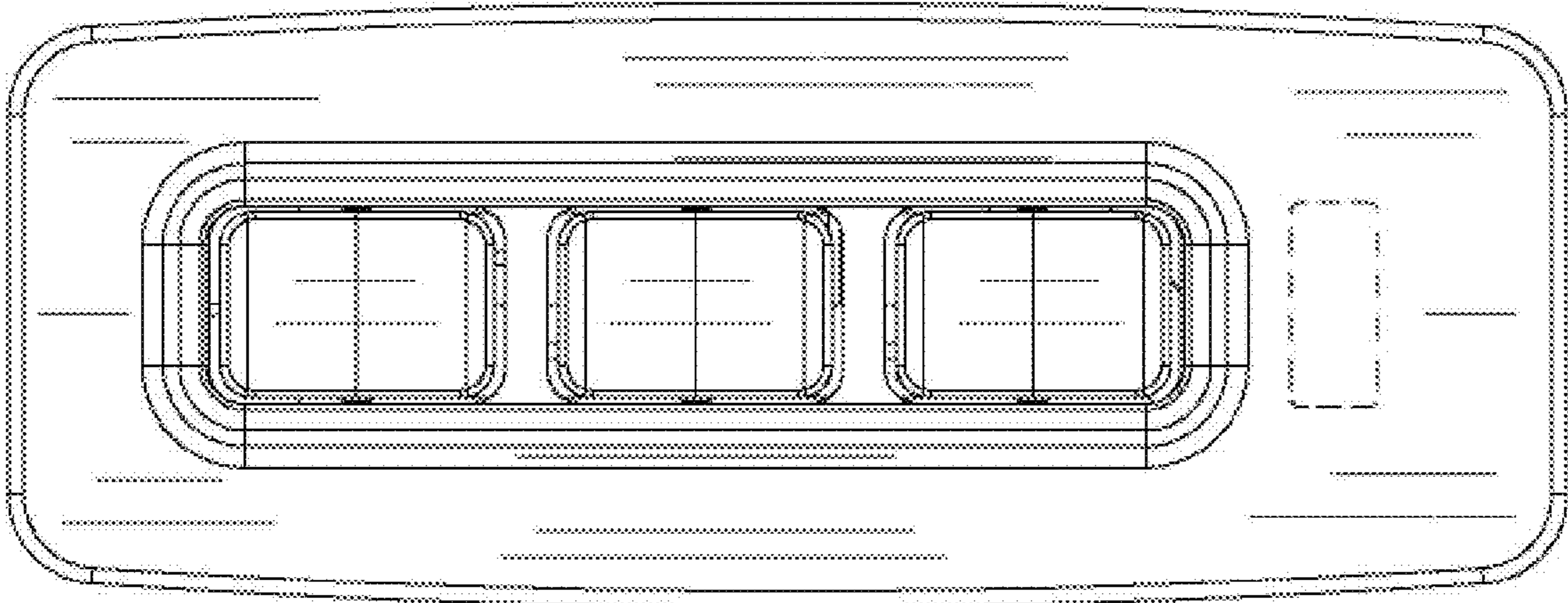


FIG. 7

