



US00D885349S

(12) **United States Design Patent**
Brenk

(10) **Patent No.:** **US D885,349 S**

(45) **Date of Patent:** **** May 26, 2020**

- (54) **ELECTRICAL DEVICE**
- (71) Applicant: **ABB Schweiz AG**, Baden (CH)
- (72) Inventor: **Frank Brenk**, Hausach (DE)
- (73) Assignee: **ABB SCHWEIZ AG**, Baden (CH)
- (**) Term: **15 Years**
- (21) Appl. No.: **29/603,310**
- (22) Filed: **May 9, 2017**

- 4,980,801 A * 12/1990 Guinda H01H 50/021
335/132
- D318,845 S * 8/1991 Plumeret D13/123
- 5,070,429 A * 12/1991 Skirpan H02B 1/305
361/641
- D340,040 S * 10/1993 Gifford D14/365
- D358,753 S * 5/1995 Yoshida D13/123
- D365,082 S * 12/1995 Cook, II D13/110
- D409,139 S * 5/1999 Cornell D13/107
- D410,624 S * 6/1999 Loh D13/110
- D449,817 S * 10/2001 Takeuchi D13/110
- 6,650,559 B1 * 11/2003 Okamoto H01L 23/3672
257/E23.103
- D514,518 S * 2/2006 Strayer D13/139.4
- D541,743 S * 5/2007 Virolainen D13/110
- 7,848,085 B2 * 12/2010 Gerber H02B 1/52
174/50.52
- 8,427,815 B2 * 4/2013 Fontana H02B 1/20
361/601
- D682,212 S * 5/2013 Udagawa D13/139.4

Related U.S. Application Data

- (62) Division of application No. 35/500,806, filed on Oct. 9, 2015 (U.S. filing date under 35 U.S.C. 384), and having an international filing date of Oct. 9, 2015, now Pat. No. Des. 844,569.

Foreign Application Priority Data

- Oct. 9, 2015 (WO) 00087825
- (51) **LOC (12) Cl.** **13-03**
- (52) **U.S. Cl.**
USPC **D13/158**
- (58) **Field of Classification Search**
USPC ... D13/158, 162.1, 123, 160, 184, 110, 152,
D13/139.1-139.4, 182; D14/365
CPC H02B 1/52; H02B 1/152; H02B 1/305;
H02K 5/0091; H05K 7/20918; H01H
50/021; H01L 23/3672
See application file for complete search history.

References Cited

U.S. PATENT DOCUMENTS

- 4,620,263 A * 10/1986 Ito H05K 7/20918
361/690
- D290,694 S * 7/1987 Shimizu D13/162.1
- D304,170 S * 10/1989 Kondo D13/110

Primary Examiner — Rhea Shields

(74) *Attorney, Agent, or Firm* — Leydig, Voit & Mayer, Ltd.

CLAIM

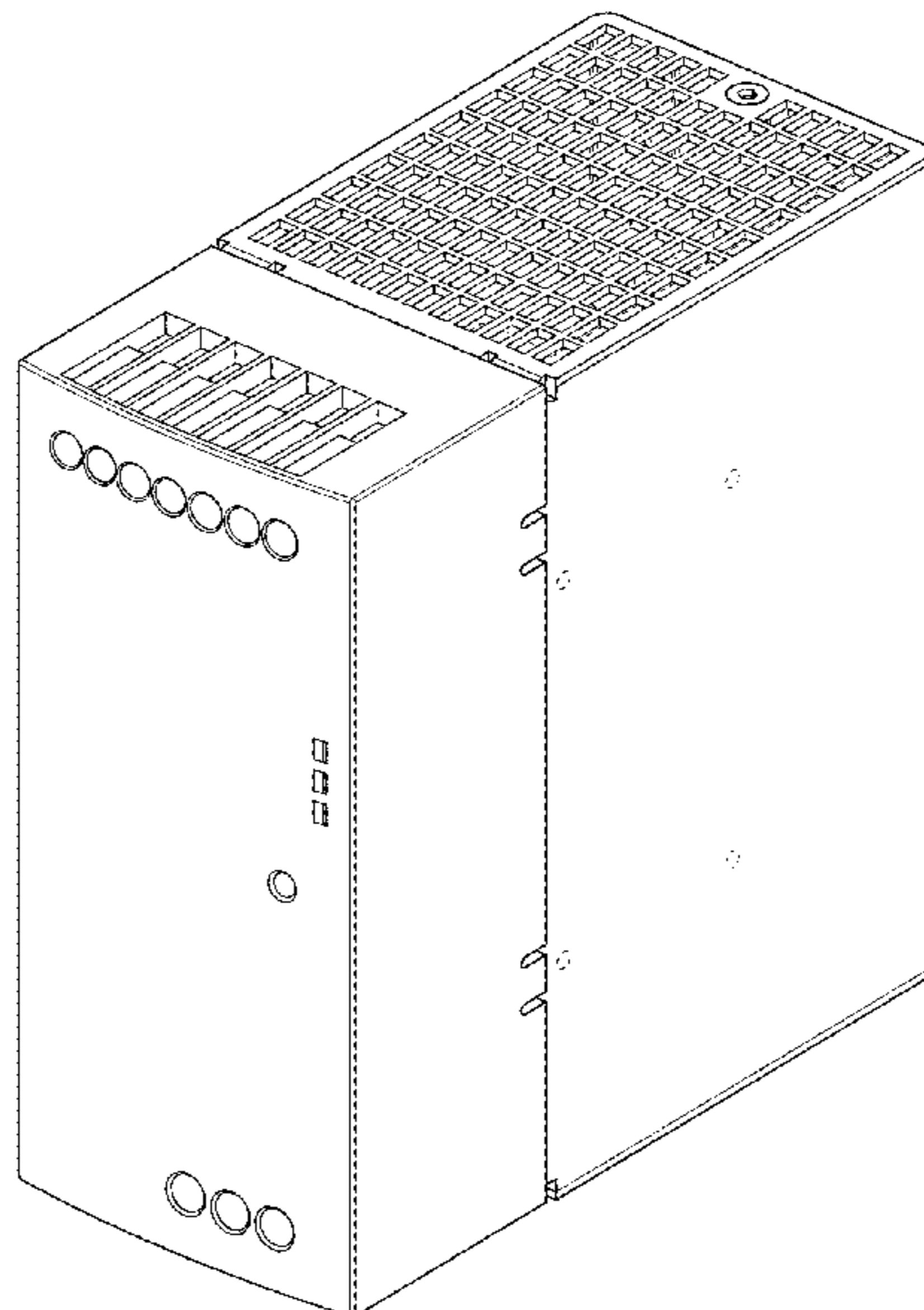
The ornamental design for an electrical device, as shown and described.

DESCRIPTION

FIG. 1 is a top right front perspective view of the electrical device showing my new design;
 FIG. 2 is a bottom plan view thereof;
 FIG. 3 is a rear elevational view thereof;
 FIG. 4 is a front elevational view thereof;
 FIG. 5 is a left side elevational view thereof;
 FIG. 6 is a right side elevational view thereof; and,
 FIG. 7 is a top plan view thereof.

The broken lines in the drawings indicate portions which form no part of the claimed design.

1 Claim, 7 Drawing Sheets



(56)

References Cited

U.S. PATENT DOCUMENTS

D689,024 S * 9/2013 Takata D13/152
D756,943 S * 5/2016 Epstein D13/184
2015/0116937 A1* 4/2015 Huesgen H05K 5/0091
361/696

* cited by examiner

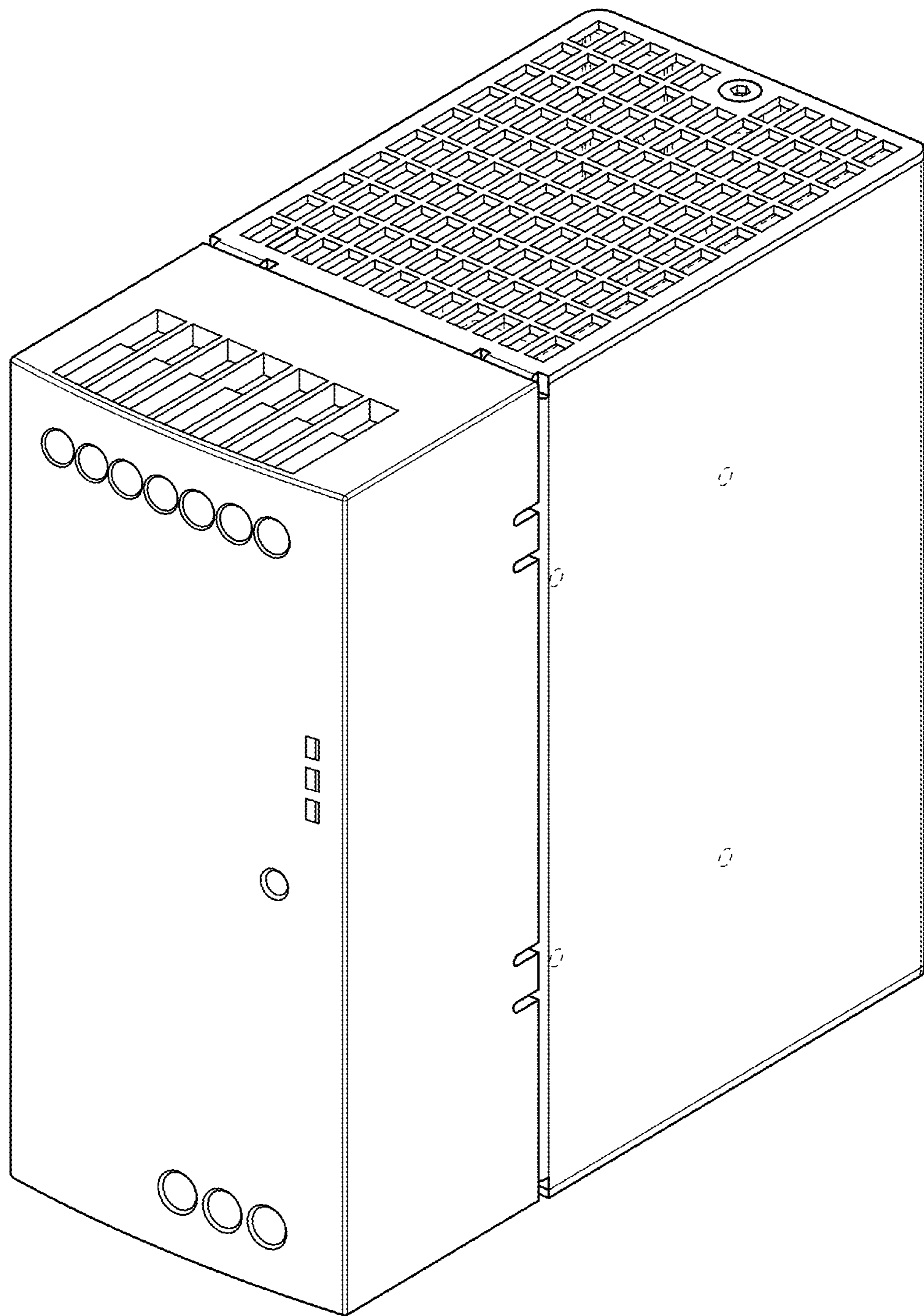


Fig. 1

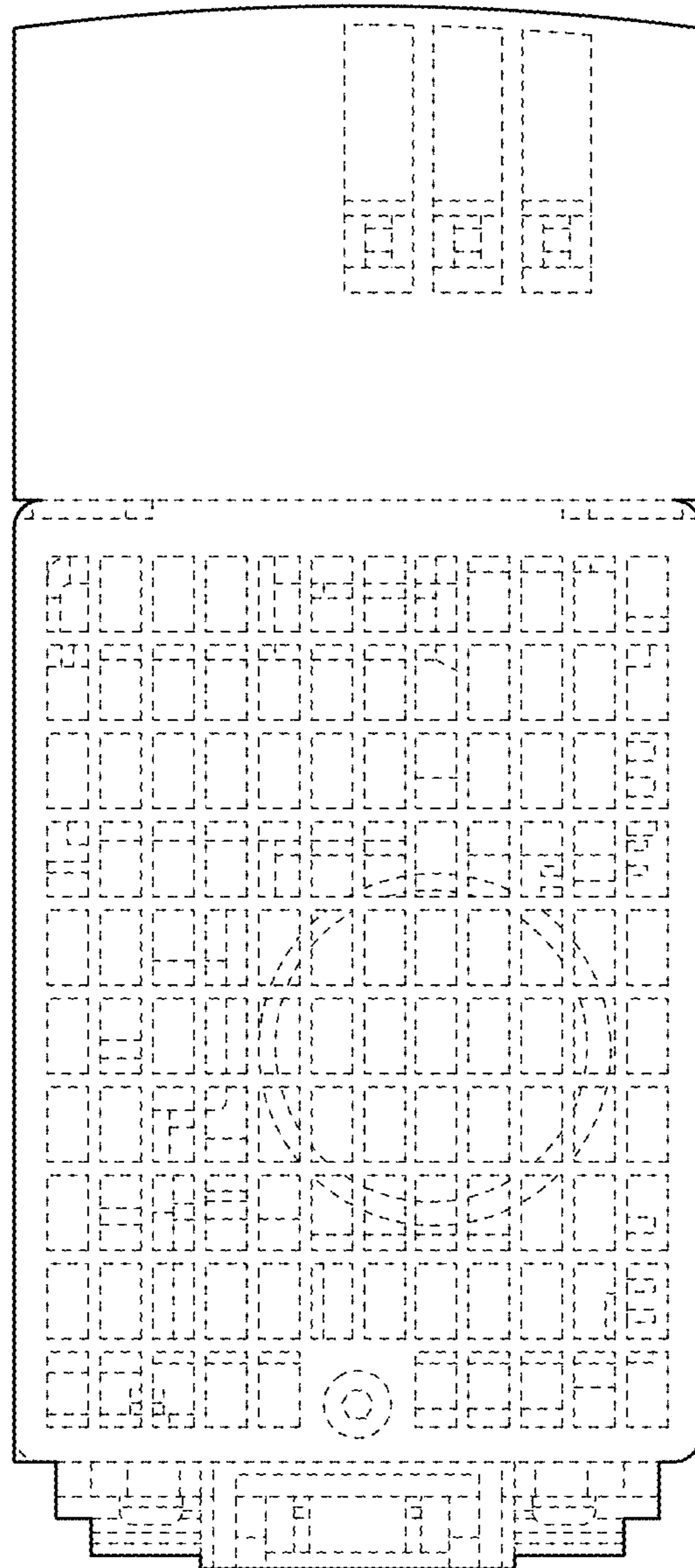


Fig. 2

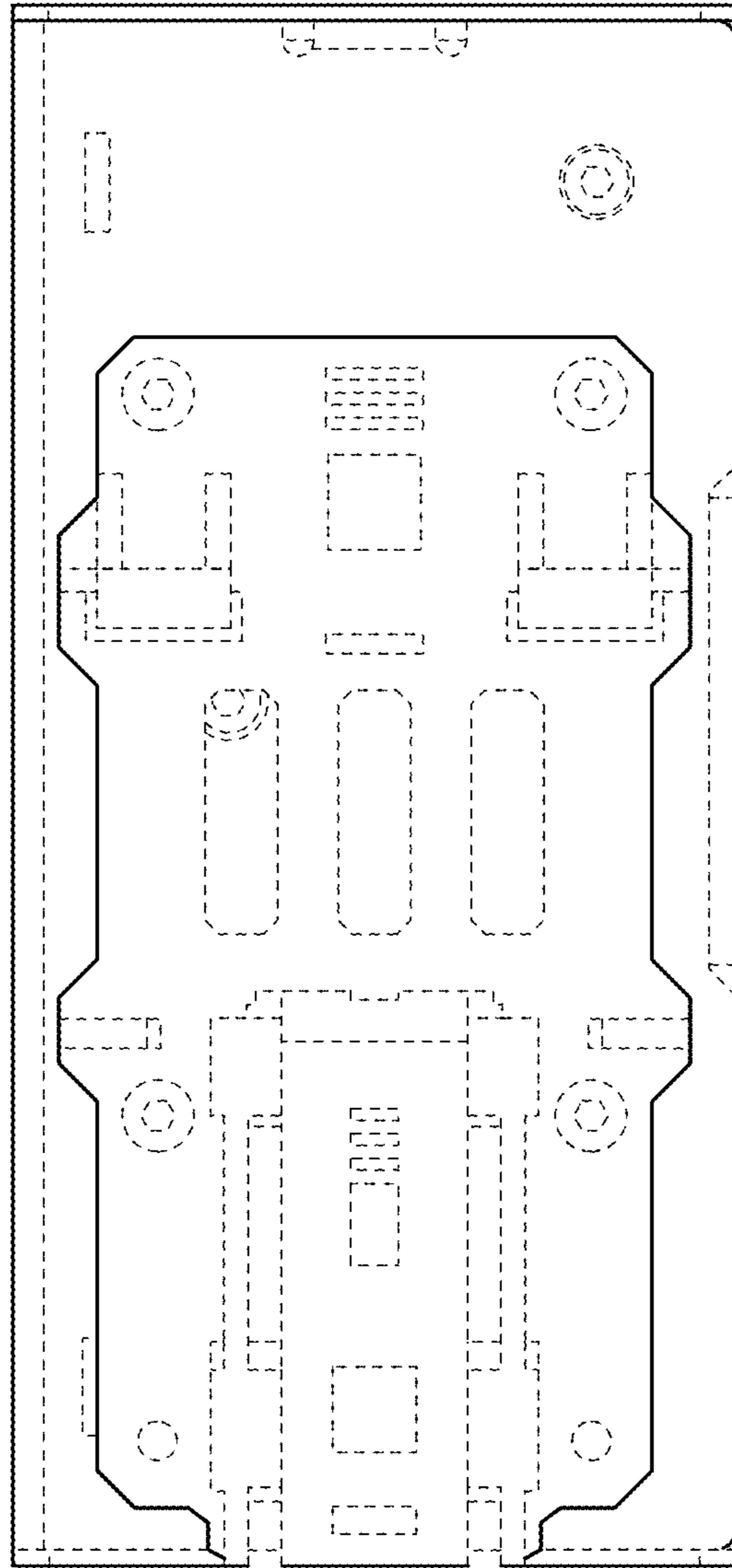


Fig. 3

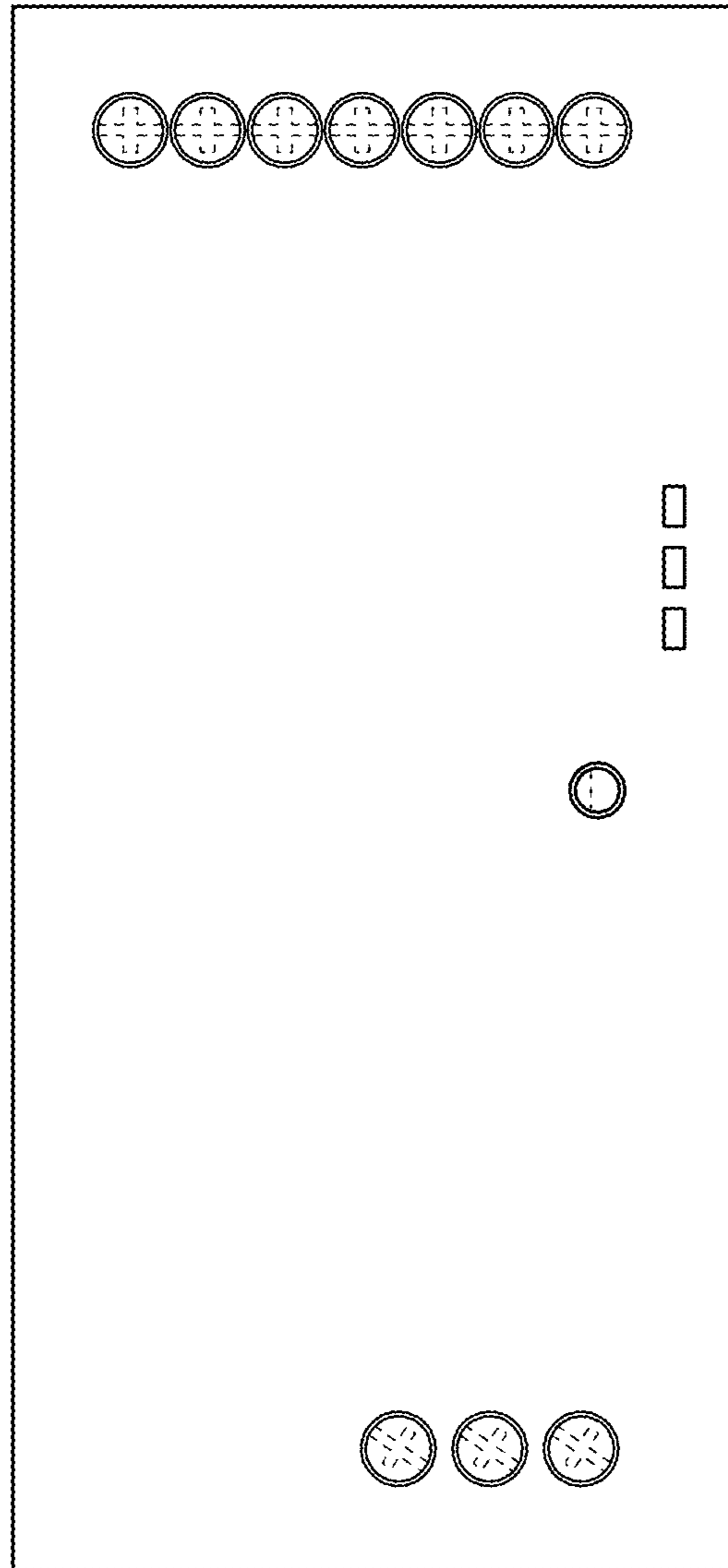


Fig. 4

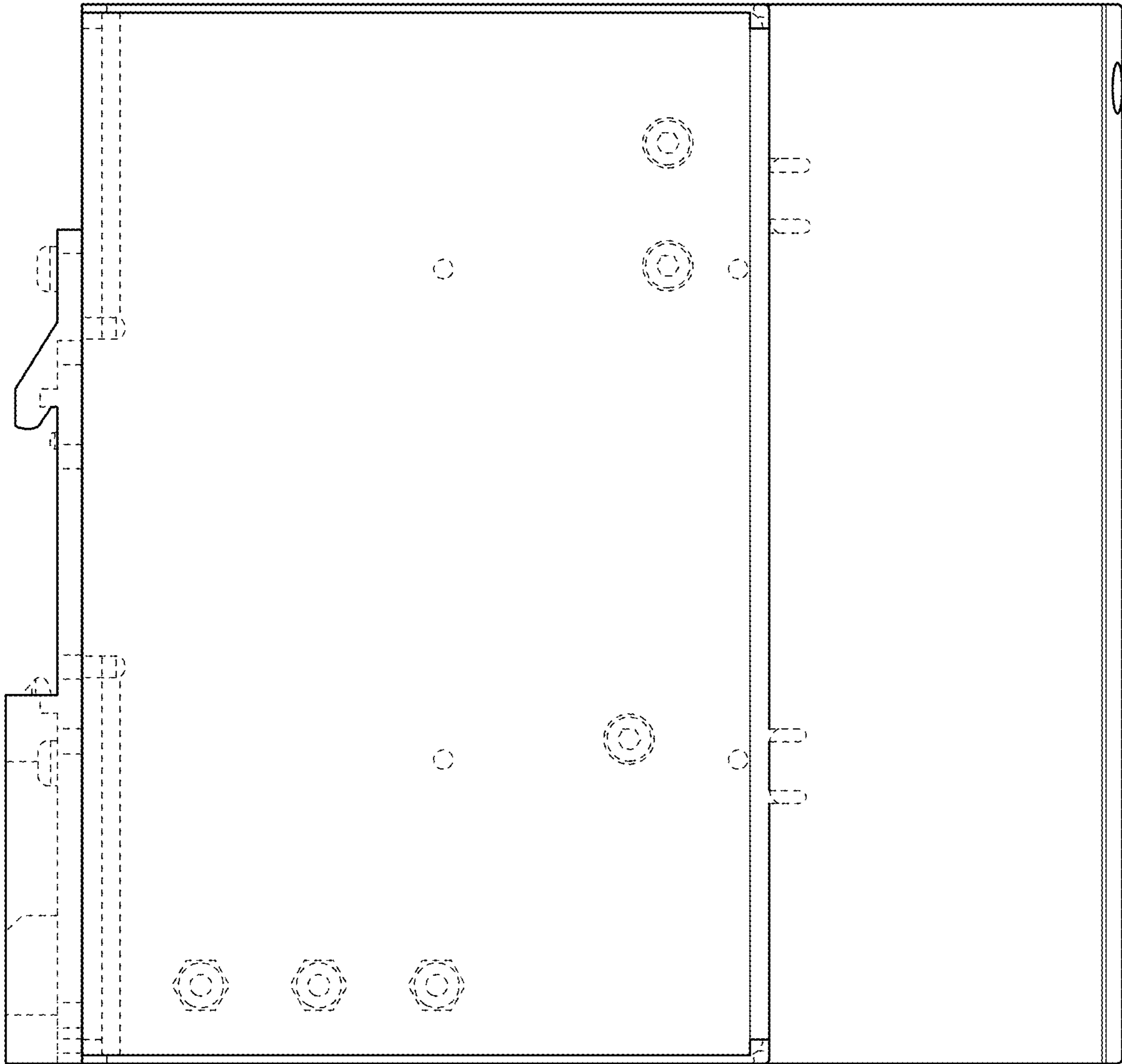


Fig. 5

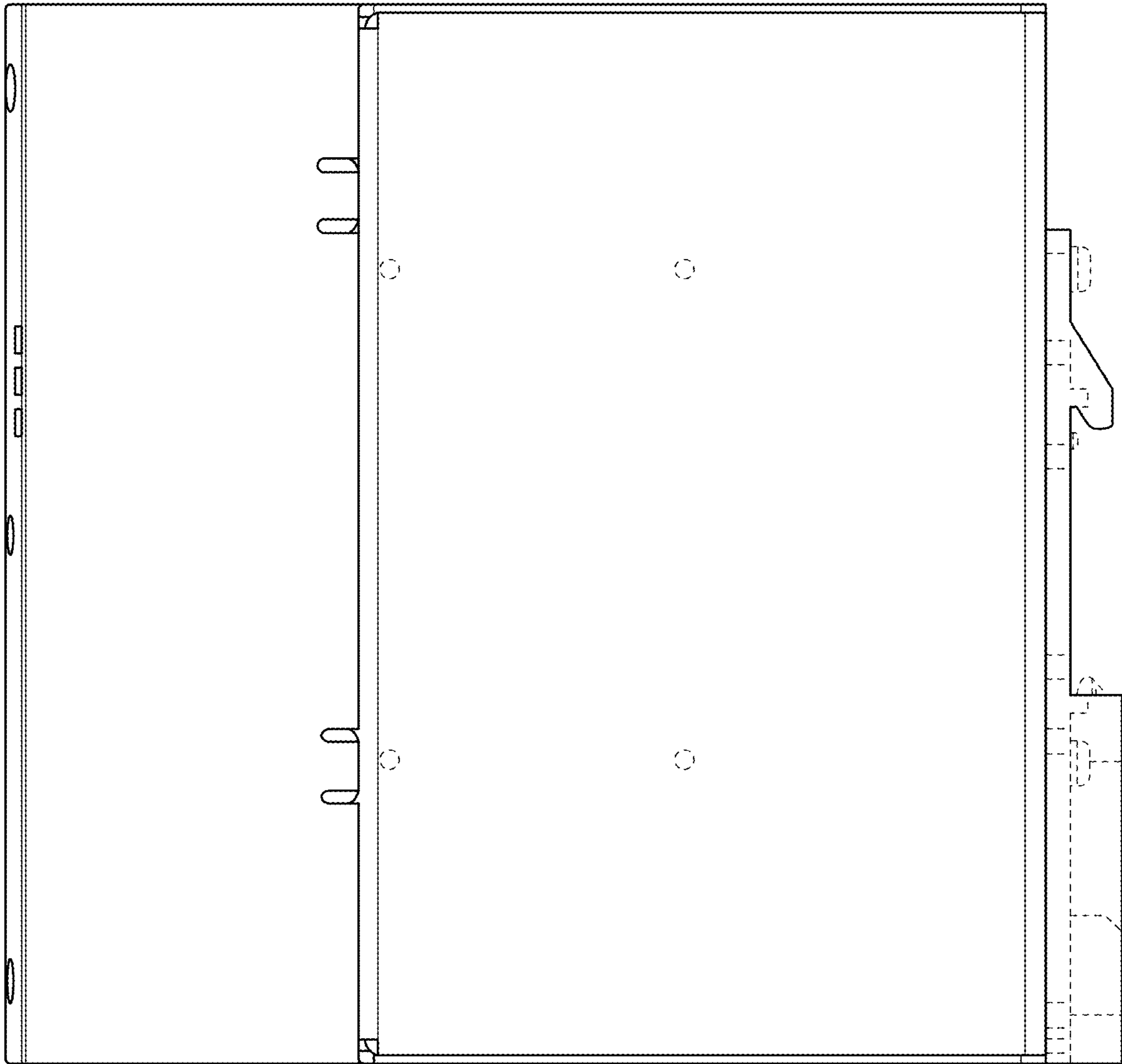


Fig. 6

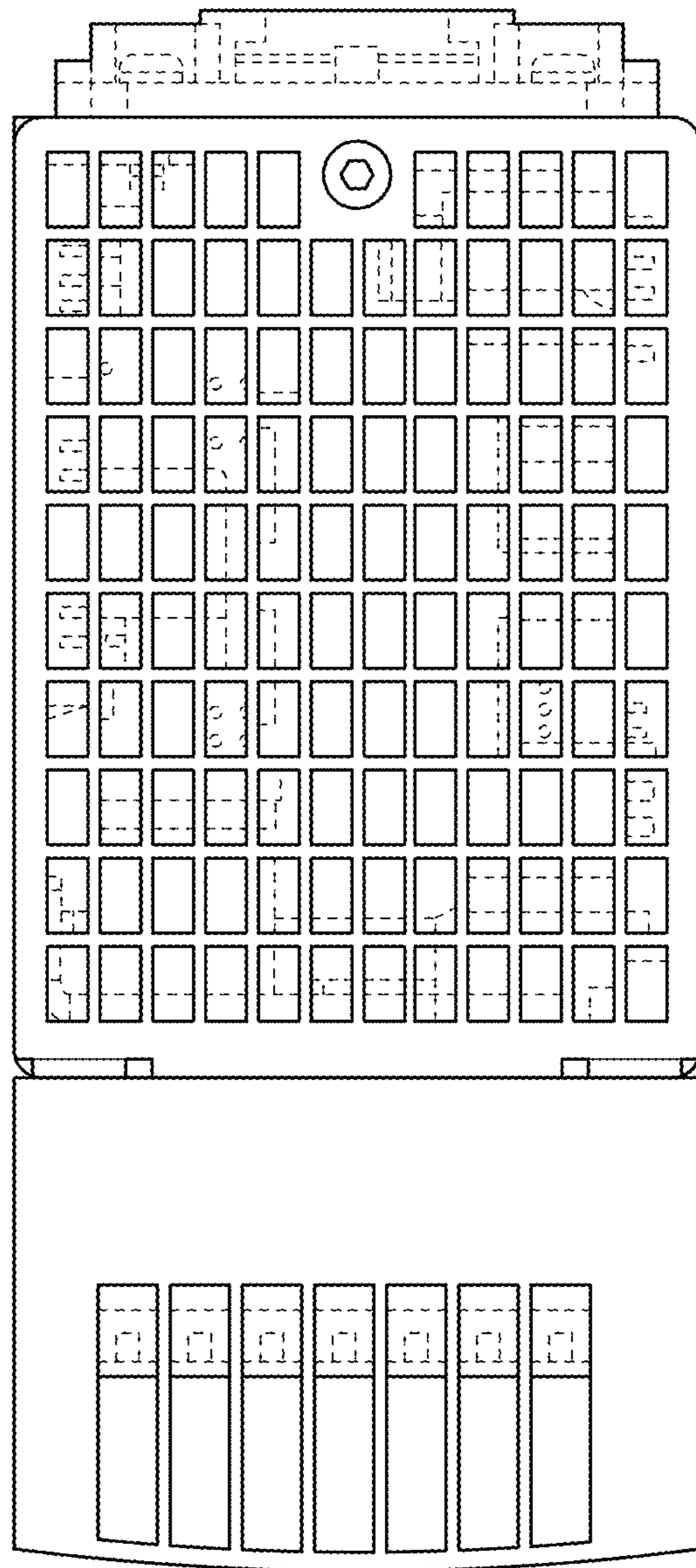


Fig. 7