



US00D885344S

(12) **United States Design Patent** (10) **Patent No.:** **US D885,344 S**  
**McGavock** (45) **Date of Patent:** **\*\* May 26, 2020**

(54) **POTENTIOMETER**  
(71) Applicant: **Matthew Thomas McGavock**, Ward,  
CO (US)  
(72) Inventor: **Matthew Thomas McGavock**, Ward,  
CO (US)  
(\*\*) Term: **15 Years**  
(21) Appl. No.: **35/506,976**  
(22) Filed: **Dec. 15, 2018**  
(80) **Hague Agreement Data**  
Int. Filing Date: **Dec. 15, 2018**  
Int. Reg. No.: **DM/201600**  
Int. Reg. Date: **Dec. 15, 2018**  
Int. Reg. Pub. Date: **Jun. 28, 2019**  
(51) **LOC (12) Cl.** ..... **13-03**  
(52) **U.S. Cl.**  
USPC ..... **D13/133**  
(58) **Field of Classification Search**  
USPC ..... D13/133, 154, 144, 153, 160; D14/188,  
D14/205, 433, 217, 439, 242; D3/211;  
D11/200  
CPC ..... E05C 19/06; A62B 3/005; G02B 6/3816;  
H01R 27/00; H01R 24/58  
See application file for complete search history.

(56) **References Cited**  
U.S. PATENT DOCUMENTS  
4,335,930 A \* 6/1982 Feldman ..... H01R 24/58  
439/669  
D328,280 S \* 7/1992 Lee ..... D13/133  
D405,050 S \* 2/1999 Lee ..... D13/133  
D420,665 S \* 2/2000 Rosenberg ..... D14/188  
6,406,313 B1 \* 6/2002 Victor ..... H01R 27/00  
439/175  
D481,678 S \* 11/2003 Griffin ..... D13/133  
D486,477 S \* 2/2004 Hayles ..... D13/133

D508,466 S \* 8/2005 Dobler ..... D13/154  
D543,509 S \* 5/2007 Victor ..... D13/154  
D546,285 S \* 7/2007 Ledbetter ..... D13/133  
D619,127 S \* 7/2010 Tong ..... D13/133  
D633,477 S \* 3/2011 Lorenzo ..... D11/200  
D674,345 S \* 1/2013 Izen ..... D13/133  
D736,158 S \* 8/2015 Rayner ..... D13/133  
D745,262 S \* 12/2015 Stricklin ..... D3/211  
D775,683 S \* 1/2017 Shipard ..... D13/133  
D777,138 S \* 1/2017 Fletcher ..... D14/205  
D794,570 S \* 8/2017 Giordano ..... D13/133  
D808,338 S \* 1/2018 Messadek ..... D13/133  
D820,265 S \* 6/2018 Cai ..... D14/433  
D822,605 S \* 7/2018 Jin ..... D13/133  
D832,213 S \* 10/2018 Wilfer ..... D13/133  
D833,975 S \* 11/2018 Miller ..... A62B 3/005  
D13/144  
D839,201 S \* 1/2019 Jin ..... D13/144  
D847,122 S \* 4/2019 Messadek ..... D14/217  
D851,594 S \* 6/2019 Wilfer ..... D13/133

(Continued)

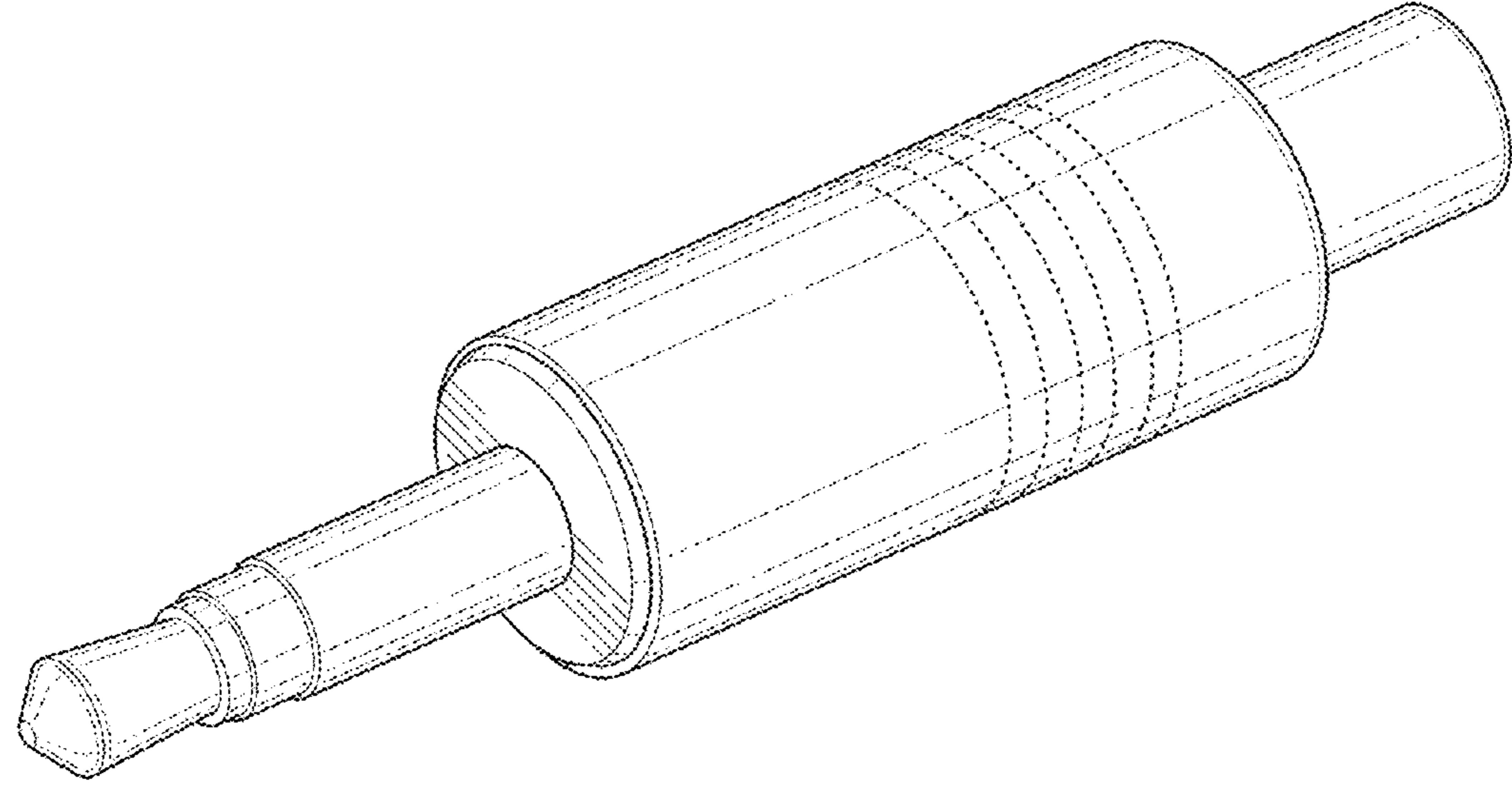
Primary Examiner — Rhea Shields  
(74) Attorney, Agent, or Firm — Will Hunziker

(57) **CLAIM**  
The ornamental design for a potentiometer, as shown and described.

**DESCRIPTION**

1. Potentiometer  
1.1 is a perspective view;  
1.2 is a front view;  
1.3 is a rear view;  
1.4 is a side view;  
1.5 is a side view;  
1.6 is a top view; and  
1.7 is a bottom view.  
A closed circuit variable resistance potentiometer with male audio style jack for the patchable attenuation of audio signals and electrical voltage signals; the dashed lines the circumscribe the center of the Jack are environmental only and are not part of the claimed design.

**1 Claim, 7 Drawing Sheets**



(56)

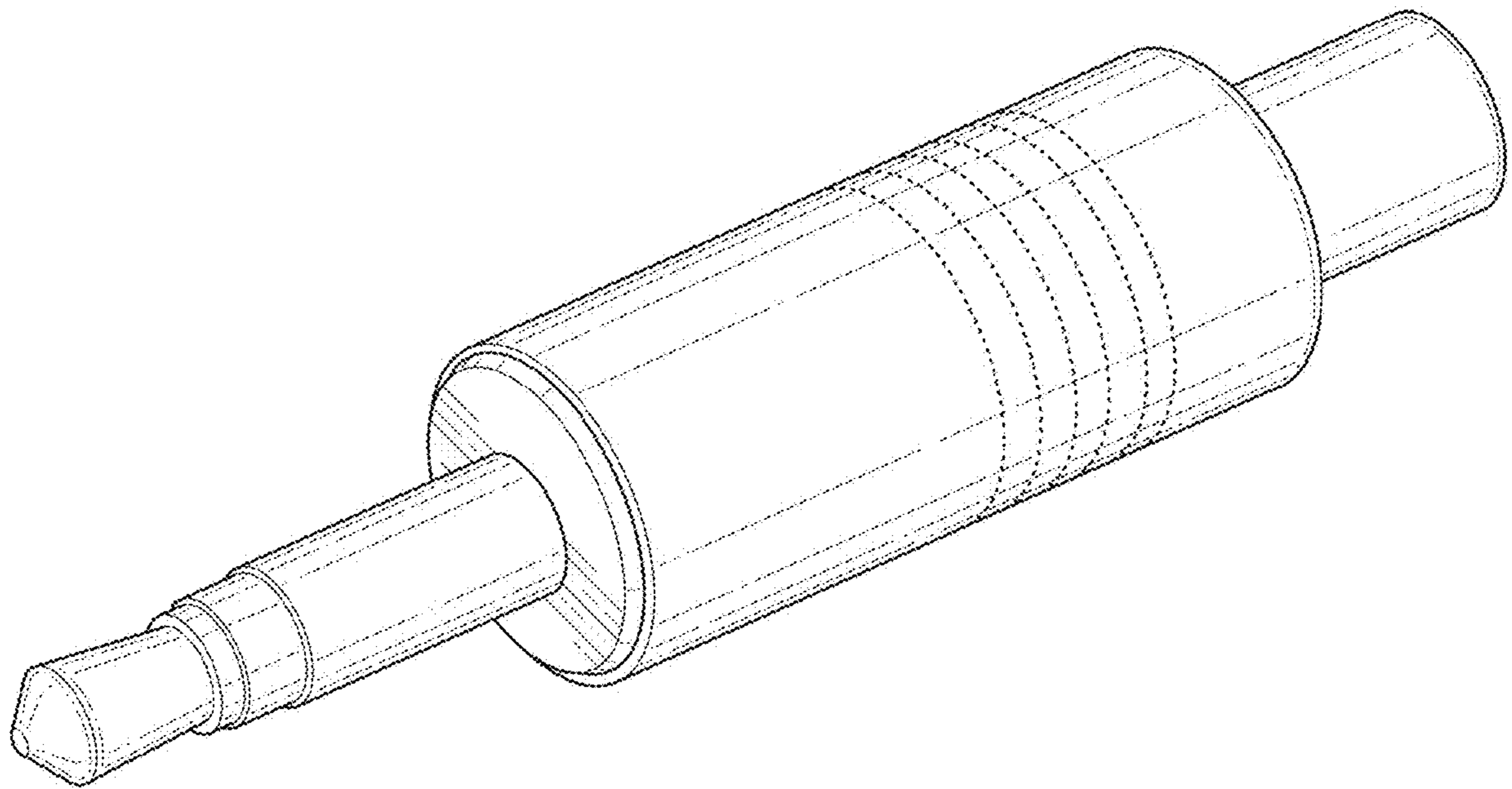
**References Cited**

U.S. PATENT DOCUMENTS

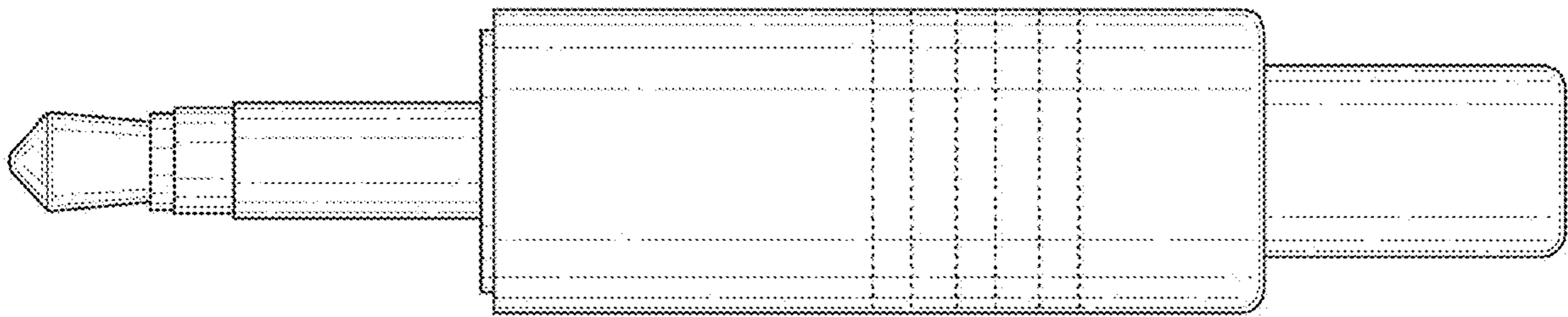
D861,696 S \* 10/2019 Gustaveson ..... E05O 19/06  
D14/439  
D868,005 S \* 11/2019 Aromin ..... D13/160  
D869,399 S \* 12/2019 Ko ..... D13/153  
D876,412 S \* 2/2020 Ueno ..... D14/242  
2015/0055917 A1\* 2/2015 Liu ..... G02B 6/3816  
385/94

\* cited by examiner

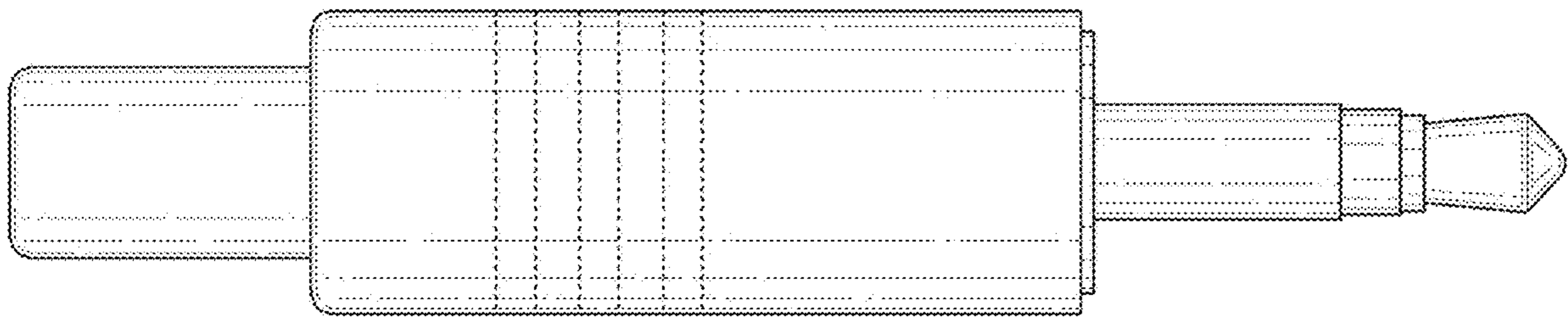
1.1



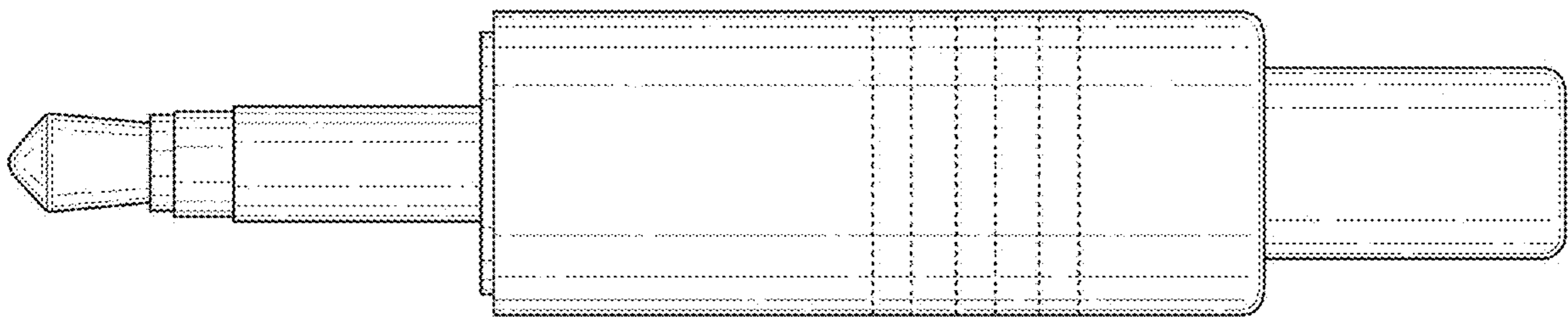
1.2



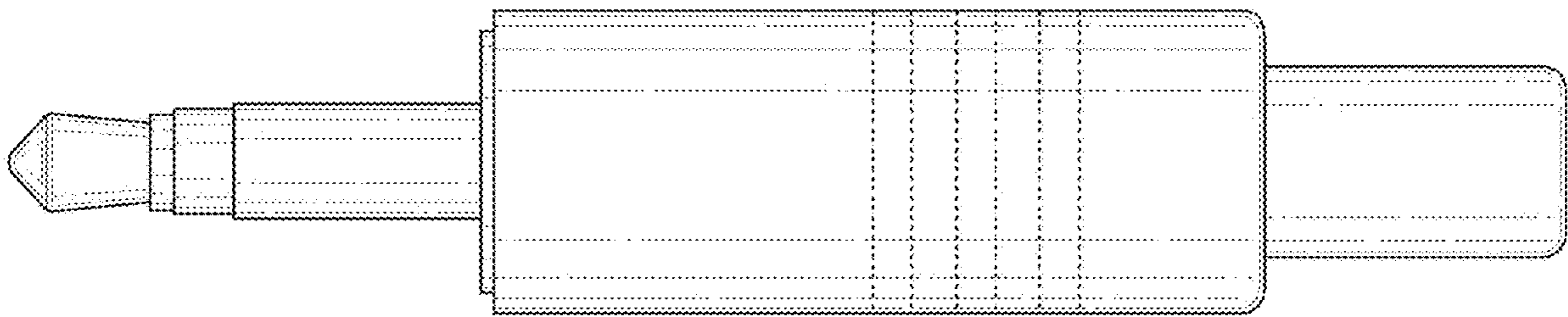
1.3



1.4

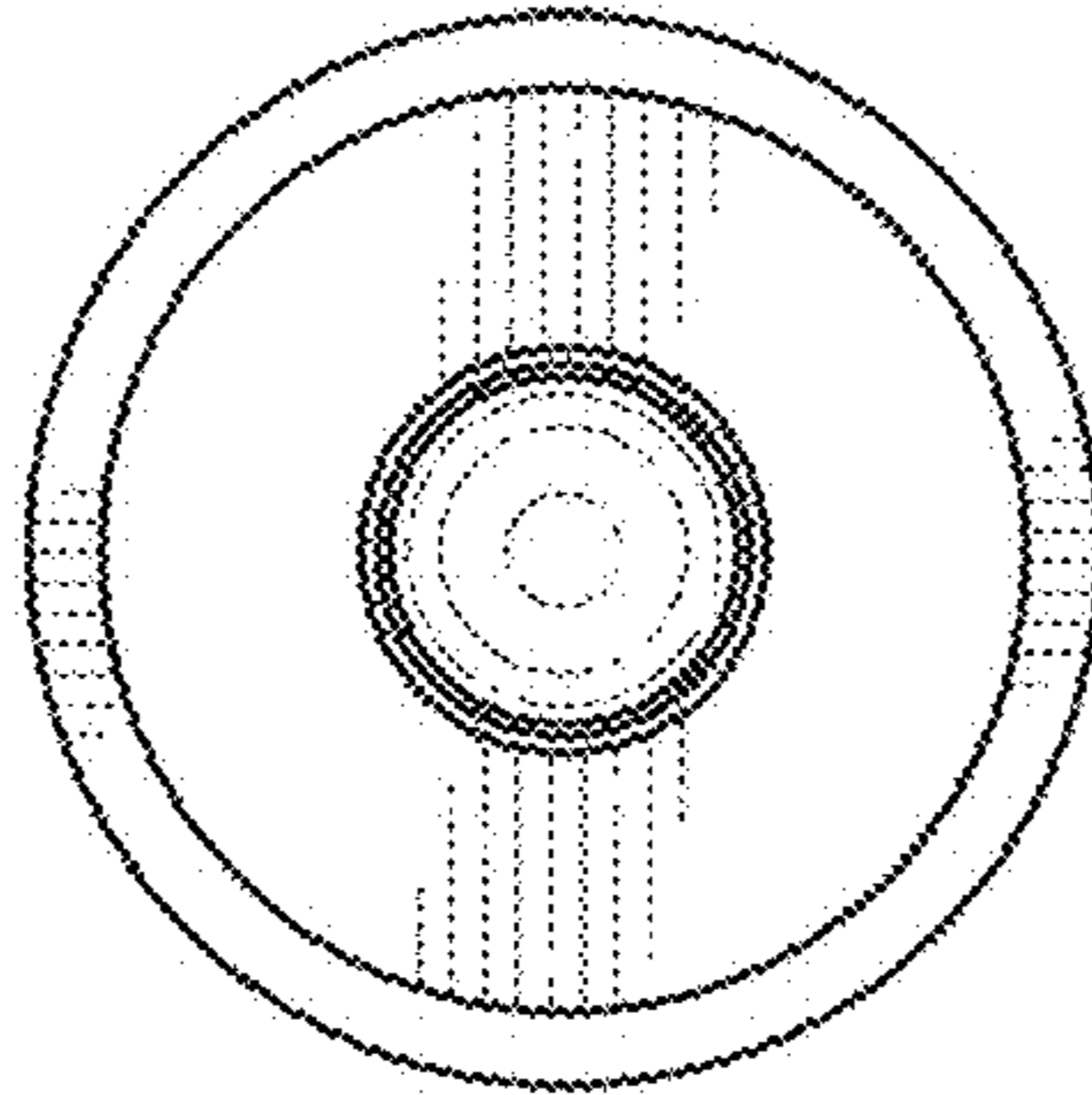


1.5





1.6





1.7

