



US00D885342S

(12) **United States Design Patent**  
**Wang**

(10) **Patent No.:** **US D885,342 S**

(45) **Date of Patent:** **\*\* May 26, 2020**

(54) **POWER ADAPTER**

(71) Applicant: **Jian Wang**, Shenzhen (CN)

(72) Inventor: **Jian Wang**, Shenzhen (CN)

(\*\*) Term: **15 Years**

(21) Appl. No.: **29/720,805**

(22) Filed: **Jan. 16, 2020**

(51) **LOC (12) Cl.** ..... **13-02**

(52) **U.S. Cl.**

USPC ..... **D13/110**

(58) **Field of Classification Search**

USPC .... D13/110, 103, 107, 108, 118, 119, 138.1,  
D13/138.2, 139.1, 139.2, 184, 199;  
D14/253, 432, 433, 434; 320/107-115;  
439/103, 104, 105, 131, 172

CPC ..... H01R 27/00; H01R 29/00; H01R 31/065;  
H01R 13/20; H01R 13/26; H01R 13/434;  
H01R 13/625; H01R 13/642; H01R  
13/652; H01R 13/6675; H02J 7/0044;  
Y02E 60/12

See application file for complete search history.

(56) **References Cited**

**U.S. PATENT DOCUMENTS**

D338,188 S *	8/1993	Lee	.....	D13/110
6,086,395 A *	7/2000	Lloyd	.....	H01R 27/00 363/146
D456,008 S *	4/2002	Kawanobe	.....	D13/110
D562,766 S *	2/2008	Yang	.....	D13/110

D568,814 S *	5/2008	Hung	.....	D13/123
D638,356 S *	5/2011	Chen	.....	D13/110
D639,238 S *	6/2011	Serrano	.....	D13/110
D646,632 S *	10/2011	Hogen	.....	D13/110
D651,169 S *	12/2011	Zhuan	.....	D13/108
D658,122 S *	4/2012	Tsoi	.....	D13/108
D662,472 S *	6/2012	Tien	.....	D13/110
D734,259 S *	7/2015	Cepress et al.		
D818,952 S *	5/2018	Wilcox	.....	D13/110
D823,801 S *	7/2018	Ouyang	.....	D13/110
2006/0226808 A1 *	10/2006	Hung	.....	H01R 31/065 320/111

\* cited by examiner

*Primary Examiner* — Derrick E Holland  
(74) *Attorney, Agent, or Firm* — ZANIP

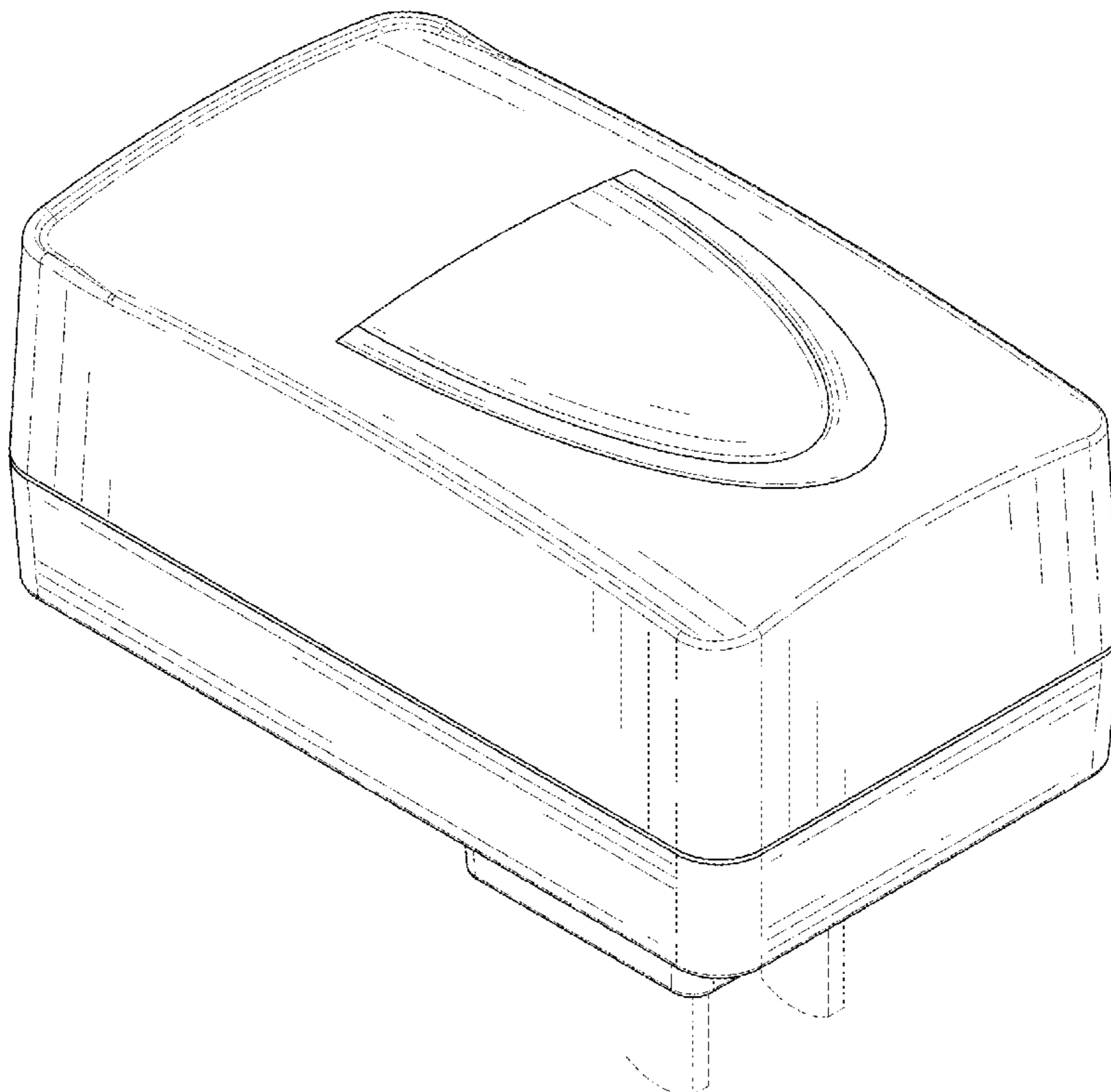
(57) **CLAIM**

The ornamental design for a power adapter, as shown and described.

**DESCRIPTION**

FIG. 1 is a front and top perspective view of a power adapter, showing my new design;  
FIG. 2 is a rear and bottom perspective view thereof;  
FIG. 3 is a front elevational view thereof;  
FIG. 4 is a rear elevational view thereof;  
FIG. 5 is a left side elevational view thereof;  
FIG. 6 is a right side elevational view thereof;  
FIG. 7 is a top plan view thereof; and,  
FIG. 8 is a bottom plan view thereof.  
The broken lines in the figures illustrate portions of the power adapter that form no part of the claimed design.

**1 Claim, 8 Drawing Sheets**



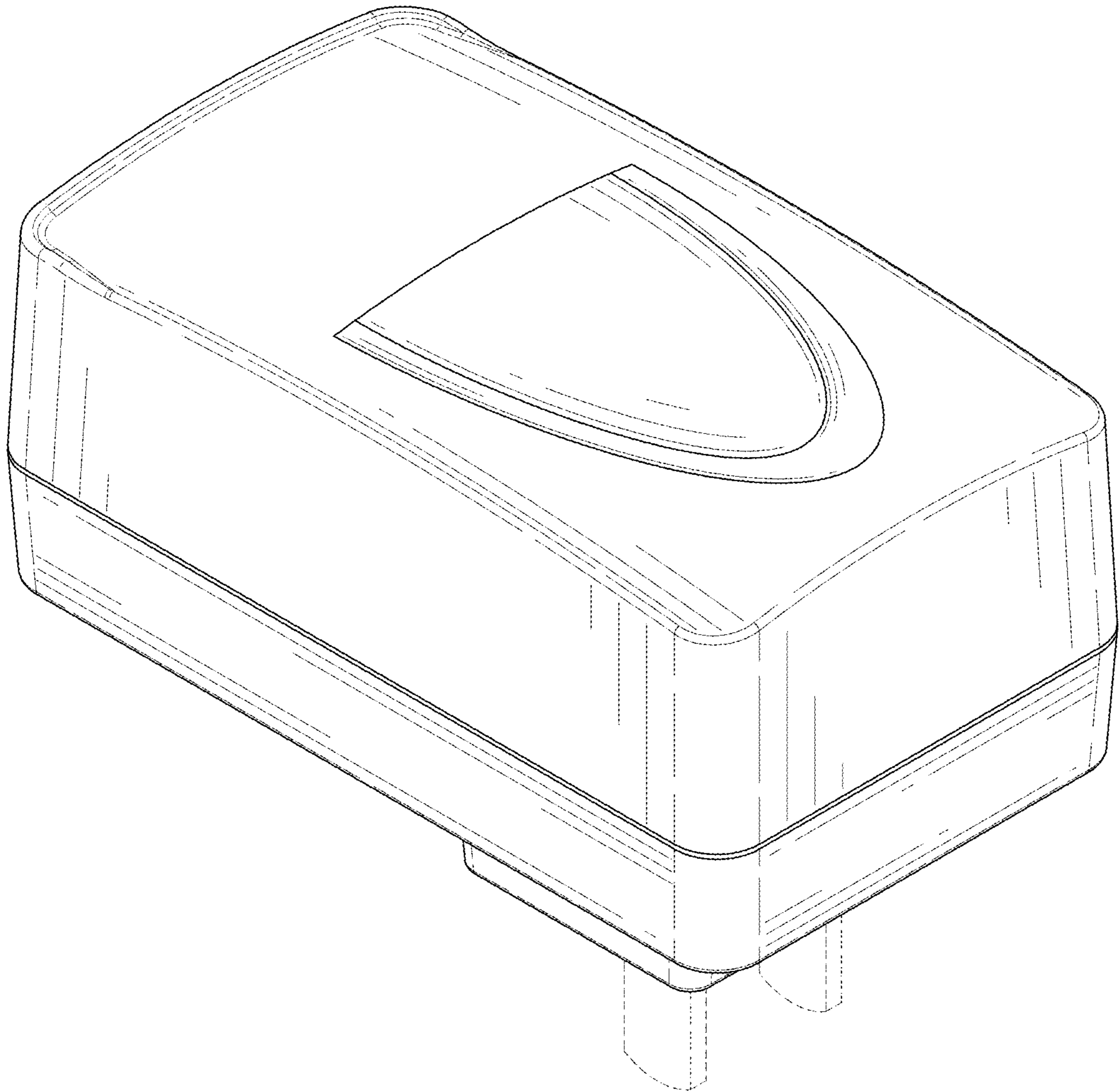


FIG. 1

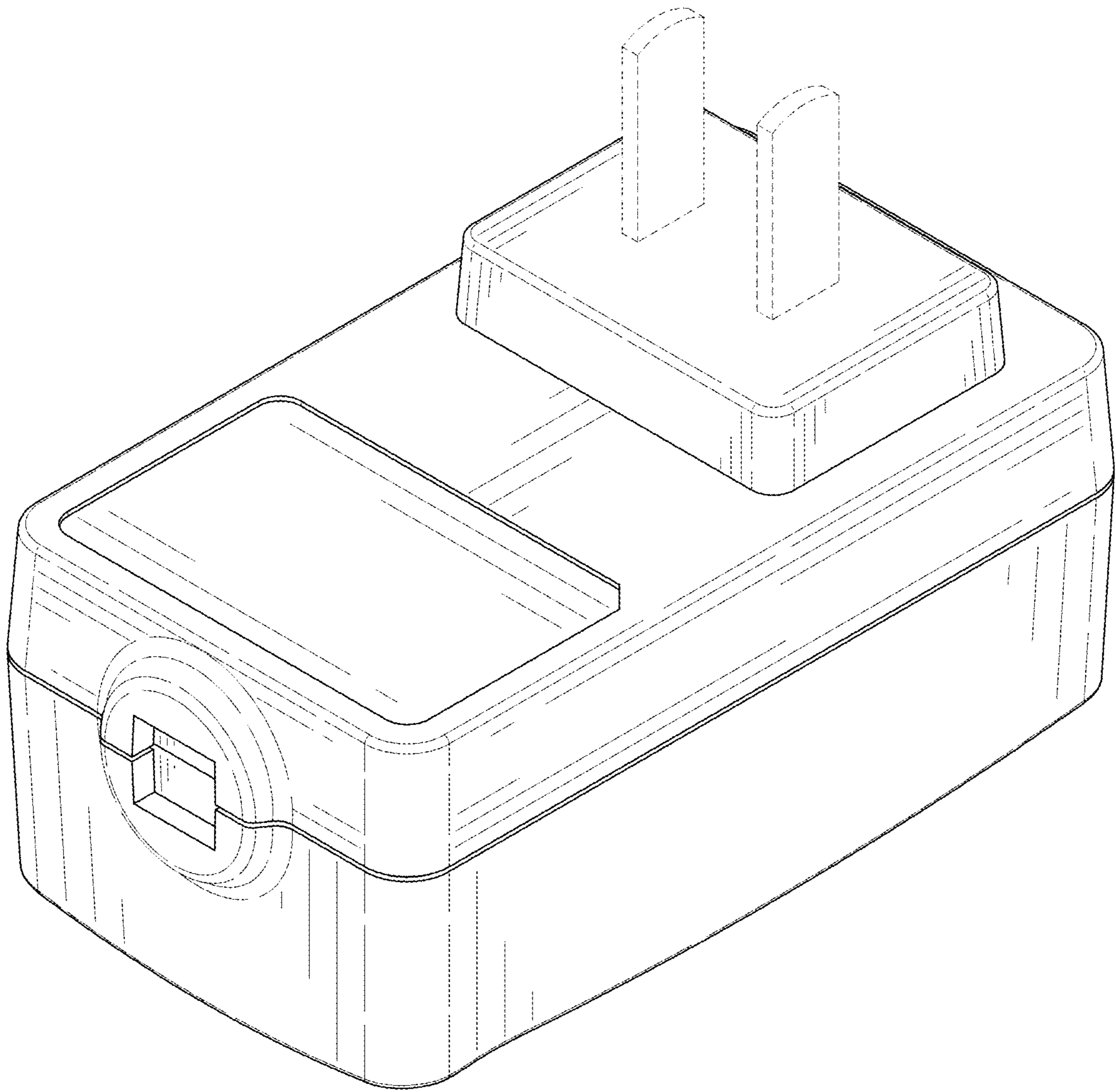


FIG. 2

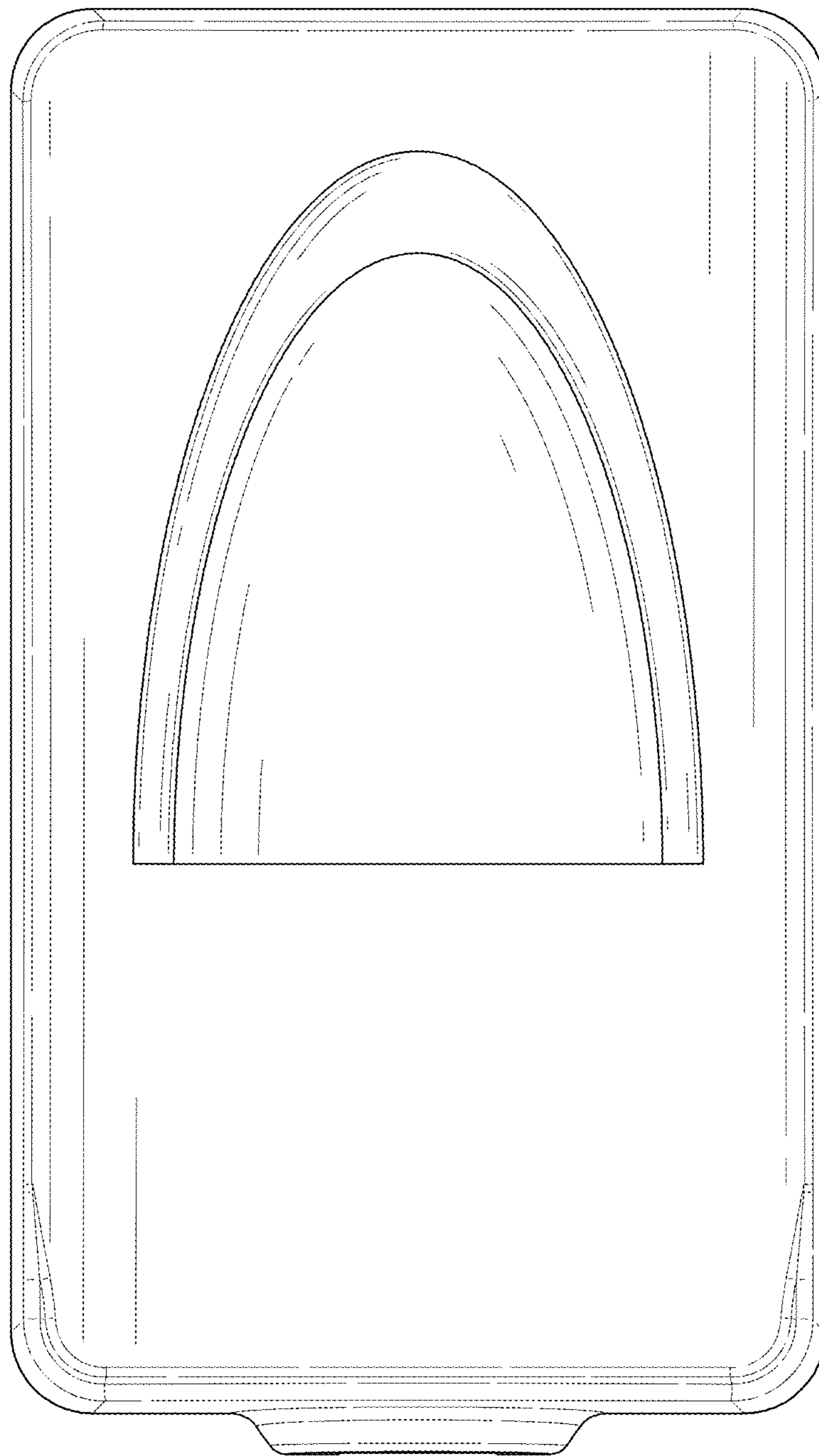


FIG. 3

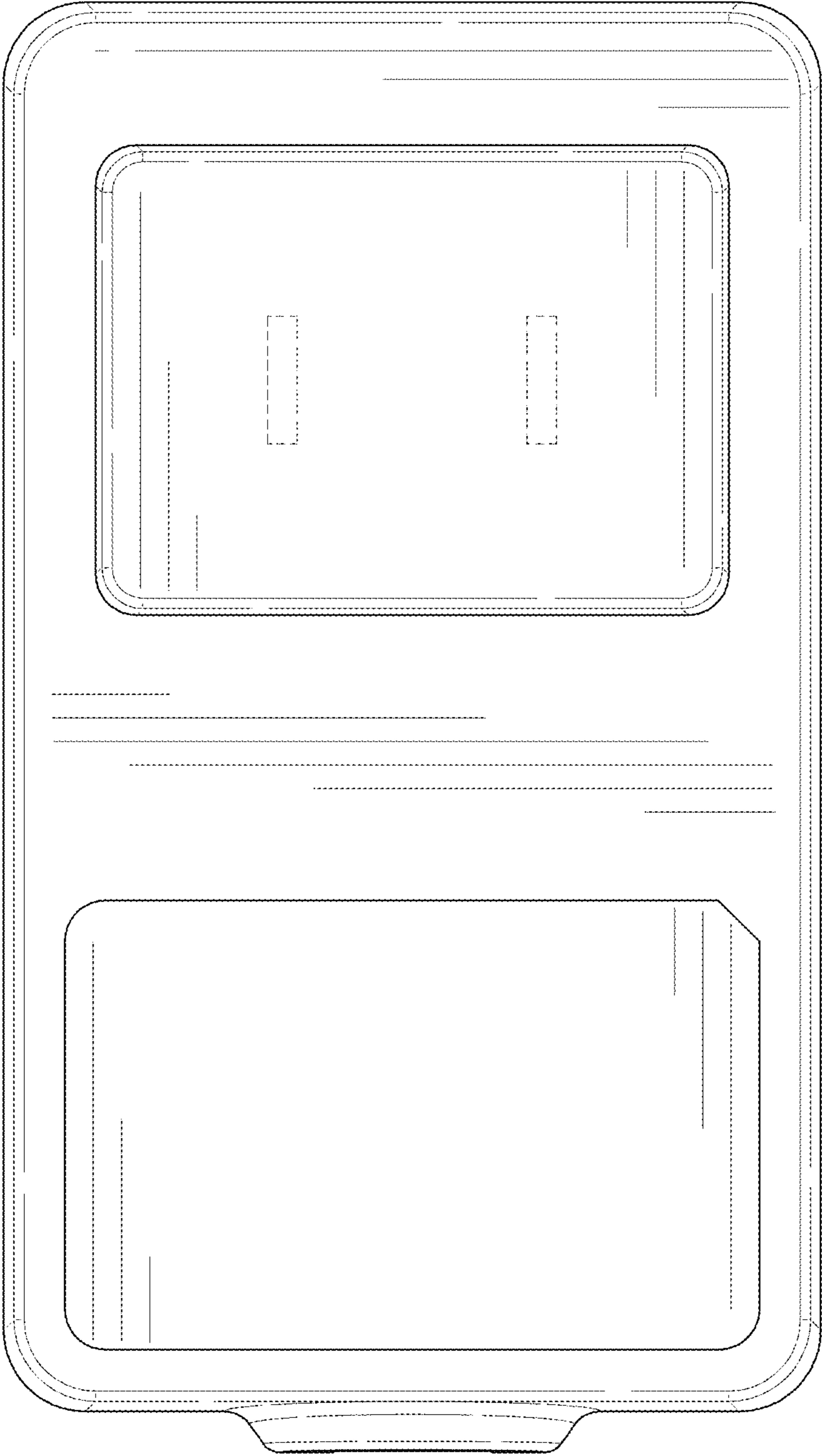


FIG. 4

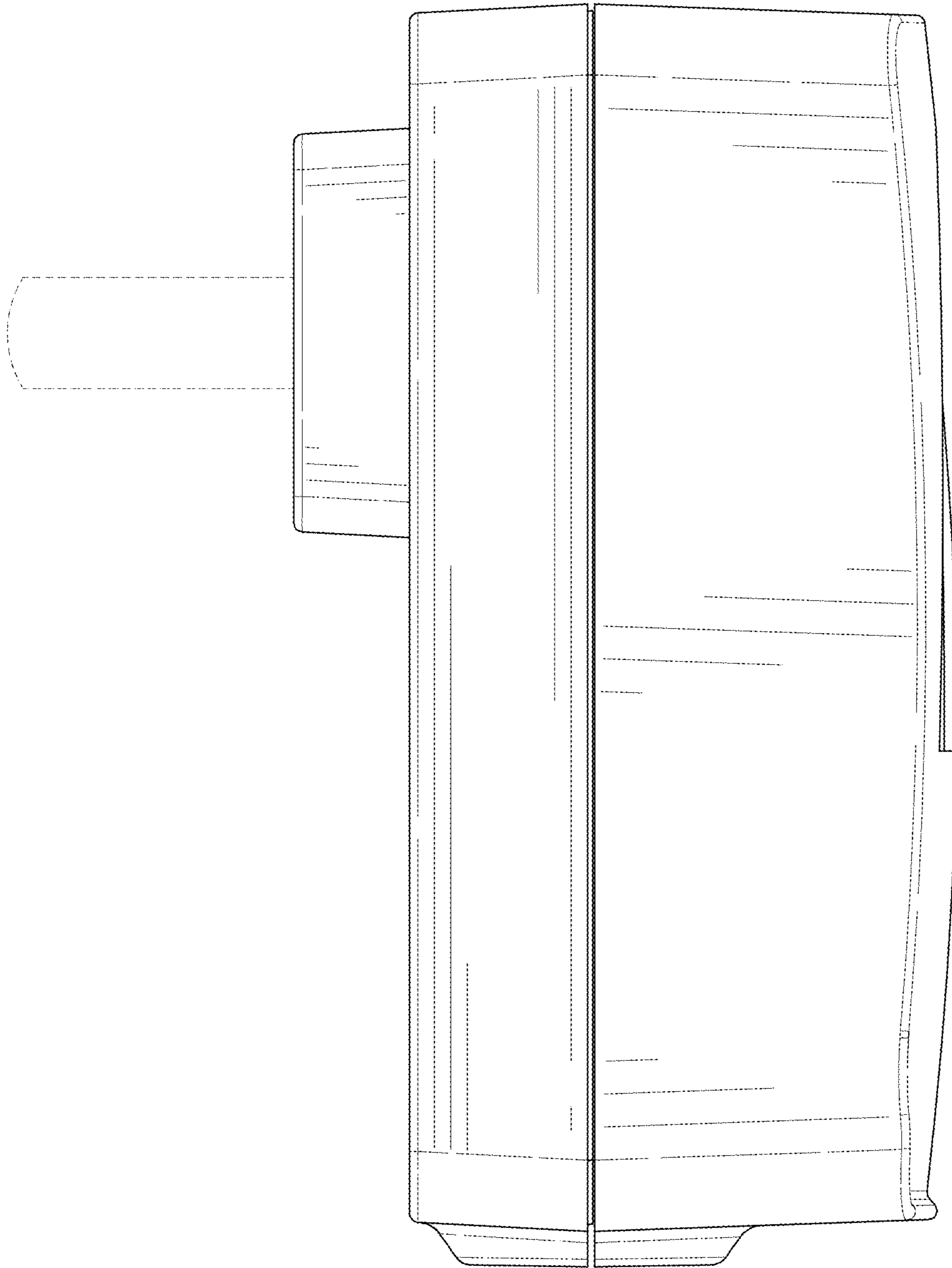


FIG. 5

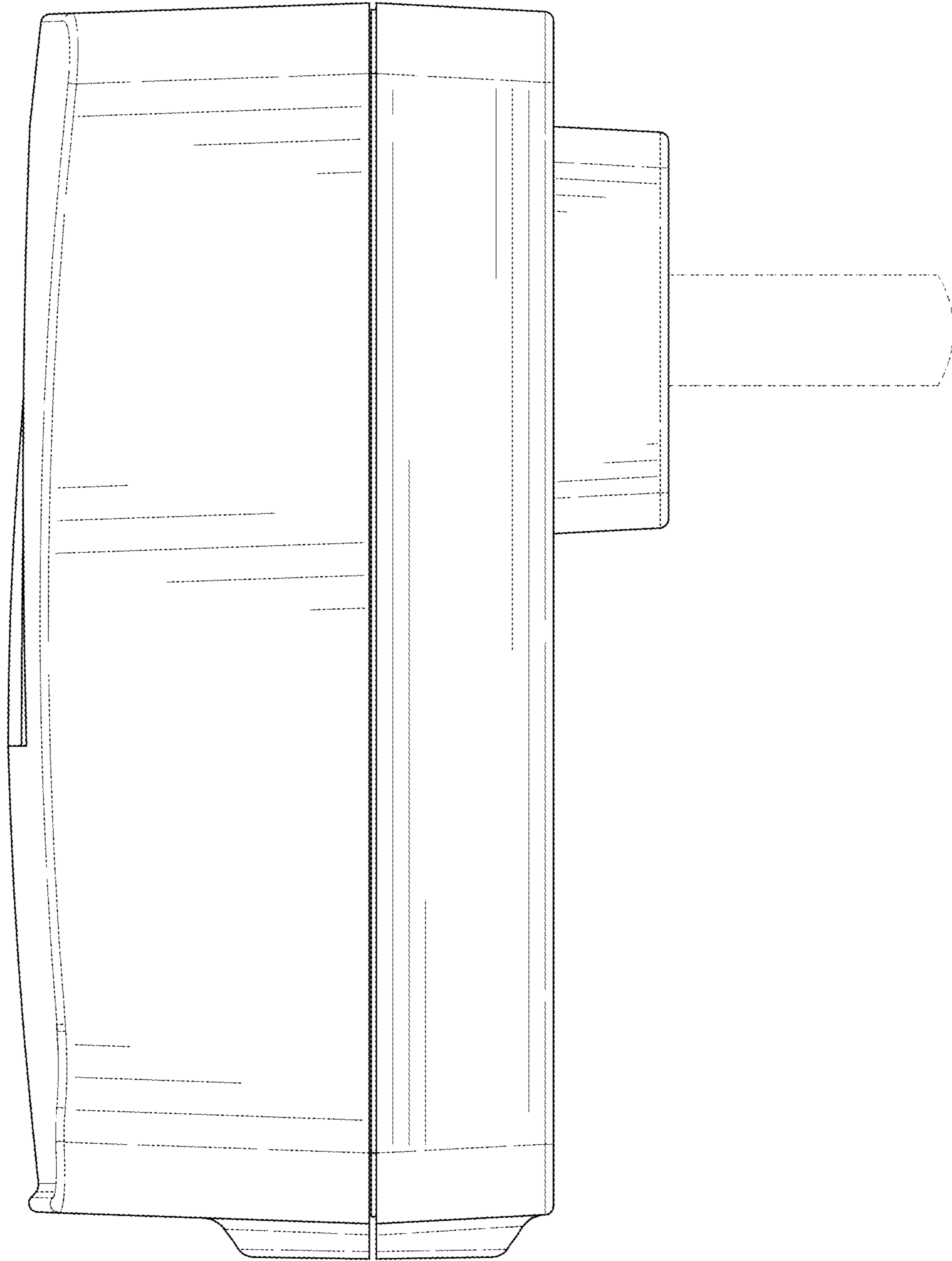


FIG. 6

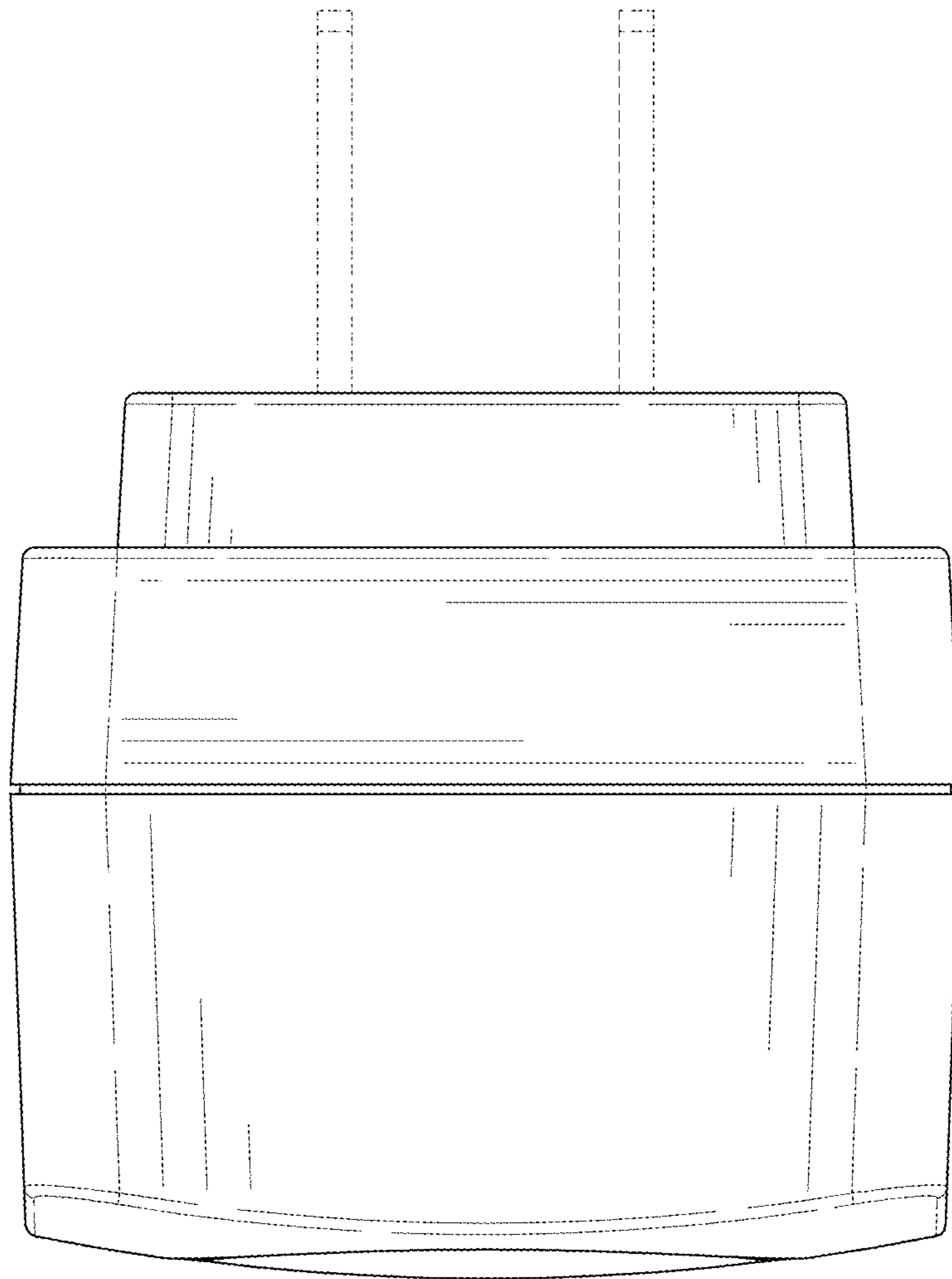


FIG. 7



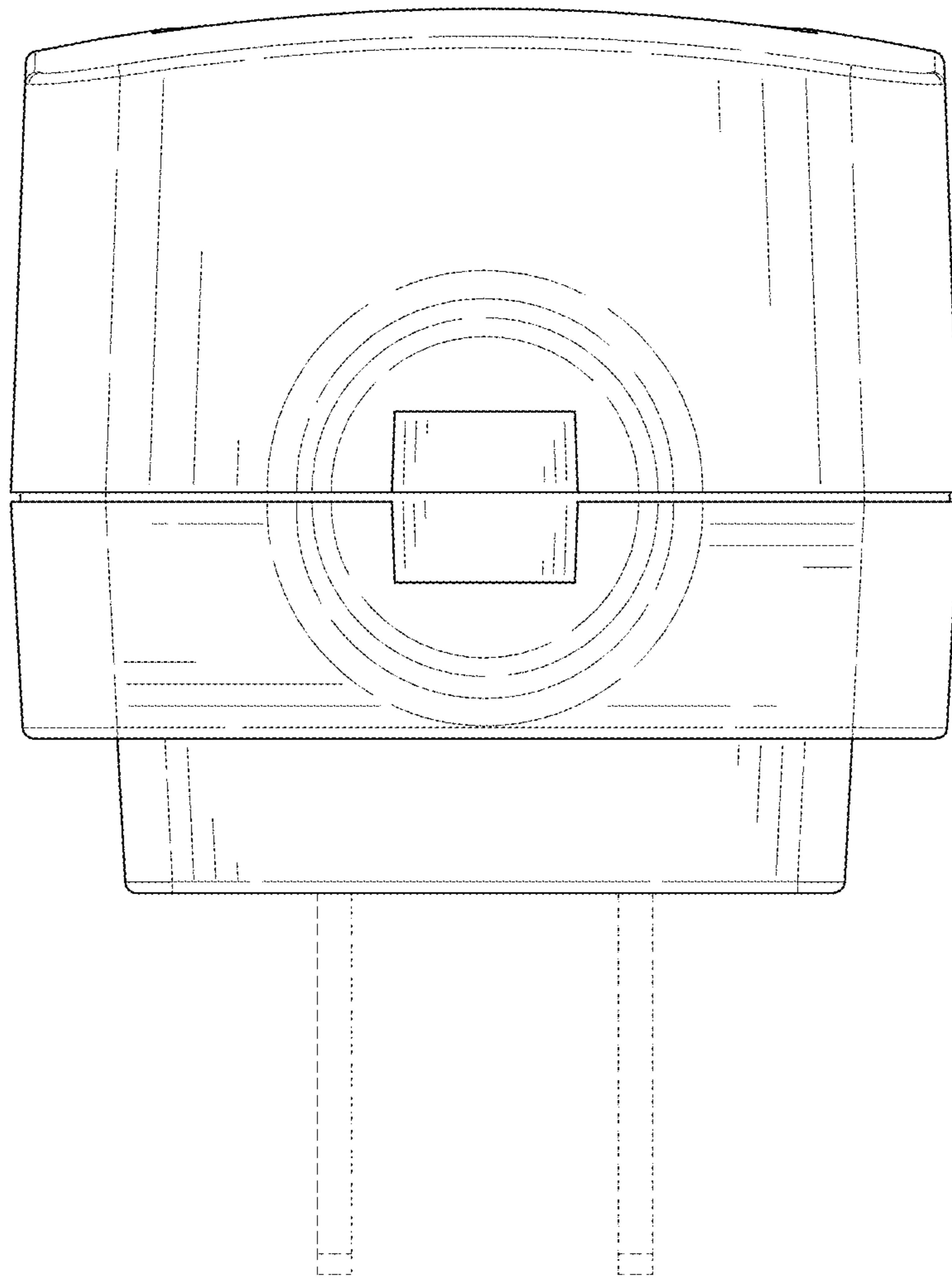


FIG. 8