



US00D885340S

(12) **United States Design Patent**
Shum

(10) **Patent No.:** **US D885,340 S**

(45) **Date of Patent:** **** May 26, 2020**

(54) **POWER INVERTER**

(71) Applicant: **Ling To Shum**, Boca Raton, FL (US)

(72) Inventor: **Ling To Shum**, Boca Raton, FL (US)

(**) Term: **15 Years**

(21) Appl. No.: **29/669,462**

(22) Filed: **Nov. 8, 2018**

(51) **LOC (12) Cl.** **13-02**

(52) **U.S. Cl.**
USPC **D13/110**

(58) **Field of Classification Search**
USPC D13/103, 104, 107, 110, 112, 119, 120,
D13/133, 156

CPC H01R 13/641; H01M 2/1022; H01M
2/1027; H01M 2/1072; H01M 2/105;
H01M 2/1077; H02B 1/20

See application file for complete search history.

(56) **References Cited**

U.S. PATENT DOCUMENTS

| | | | | |
|-------------------|---------|----------|-------|-----------------------|
| D657,739 S * | 4/2012 | Miyawaki | | D13/104 |
| D705,719 S * | 5/2014 | Wong | | D13/103 |
| D711,821 S * | 8/2014 | Wang | | D13/103 |
| D759,587 S * | 6/2016 | Santos | | D13/103 |
| D762,565 S * | 8/2016 | Akana | | D13/103 |
| D775,073 S * | 12/2016 | Oshiba | | D13/119 |
| D812,000 S * | 3/2018 | Li | | D13/108 |
| D820,198 S * | 6/2018 | Smith | | D13/103 |
| D842,237 S * | 3/2019 | Qiu | | D13/103 |
| D844,560 S * | 4/2019 | Miller | | D13/108 |
| D852,742 S * | 7/2019 | Li | | D13/110 |
| 2008/0050645 A1 * | 2/2008 | Kai | | H01M 2/1077 429/61 |

| | | | | |
|-------------------|--------|------|-------|------------------------|
| 2009/0123821 A1 * | 5/2009 | Kim | | H01M 2/0404 429/124 |
| 2011/0070465 A1 * | 3/2011 | Kim | | H01M 10/42 429/7 |
| 2015/0207181 A1 * | 7/2015 | Fink | | H01M 2/043 429/7 |
| 2017/0264059 A1 * | 9/2017 | Cote | | H01R 25/006 |
| 2019/0131678 A1 * | 5/2019 | Kim | | H01M 2/10 |
| 2019/0189982 A1 * | 6/2019 | Lee | | H01M 10/0472 |
| 2019/0198952 A1 * | 6/2019 | Choi | | H01M 10/6554 |

* cited by examiner

Primary Examiner — Susan Bennett Hattan

Assistant Examiner — Suzanne E Tisdell

(74) *Attorney, Agent, or Firm* — Morgan, Lewis & Bockius LLP

(57) **CLAIM**

I claim the ornamental design for the power inverter, as shown and described.

DESCRIPTION

FIG. 1 is a front perspective view of a power inverter showing my new design.

FIG. 2 is a rear perspective view thereof.

FIG. 3 is a front view thereof.

FIG. 4 is a rear view thereof.

FIG. 5 is a right view thereof.

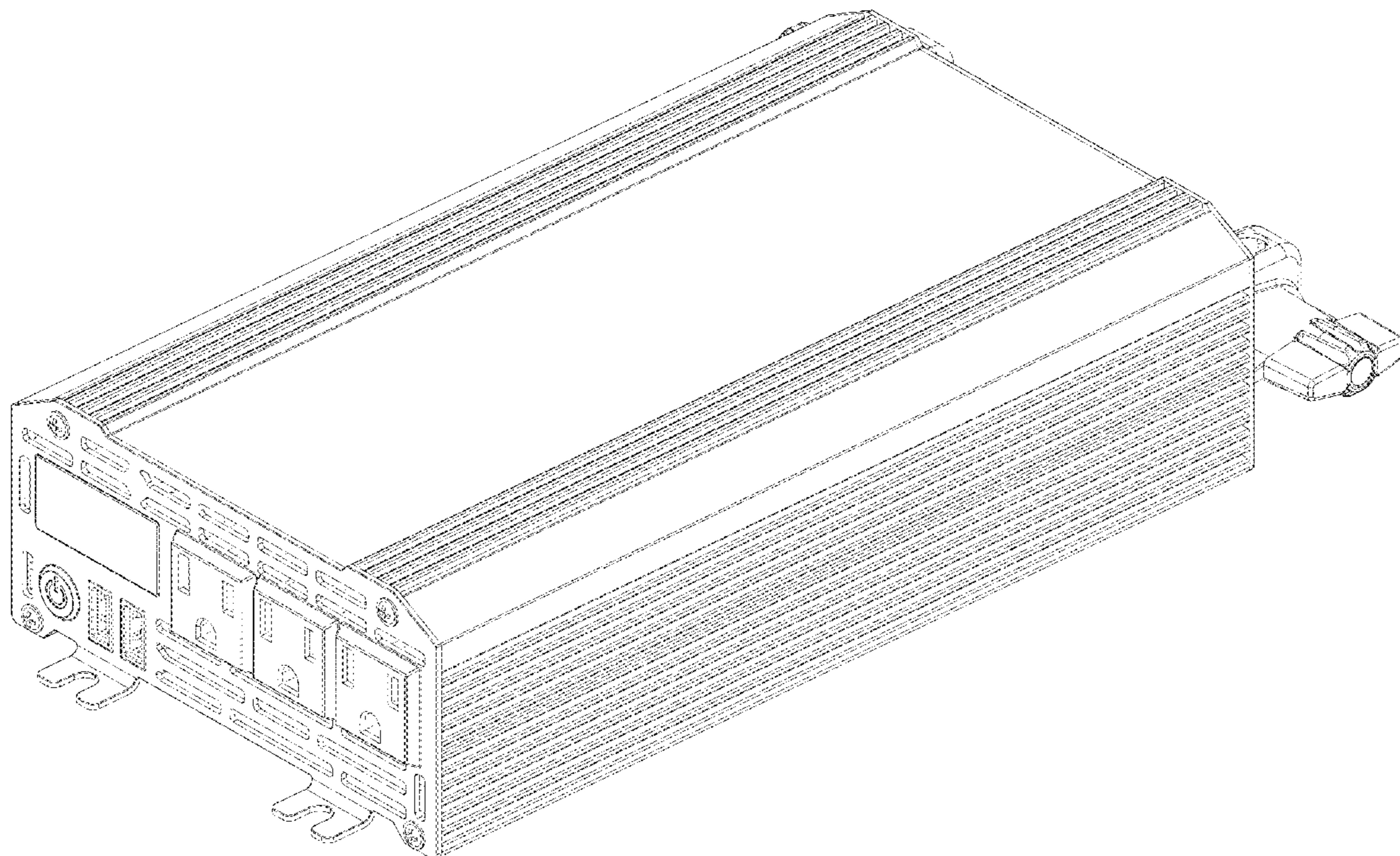
FIG. 6 is a left view thereof.

FIG. 7 is a top view thereof; and,

FIG. 8 is a bottom view thereof.

The broken lines in the figures depict environmental subject matter only and form no part of the claimed design.

1 Claim, 8 Drawing Sheets



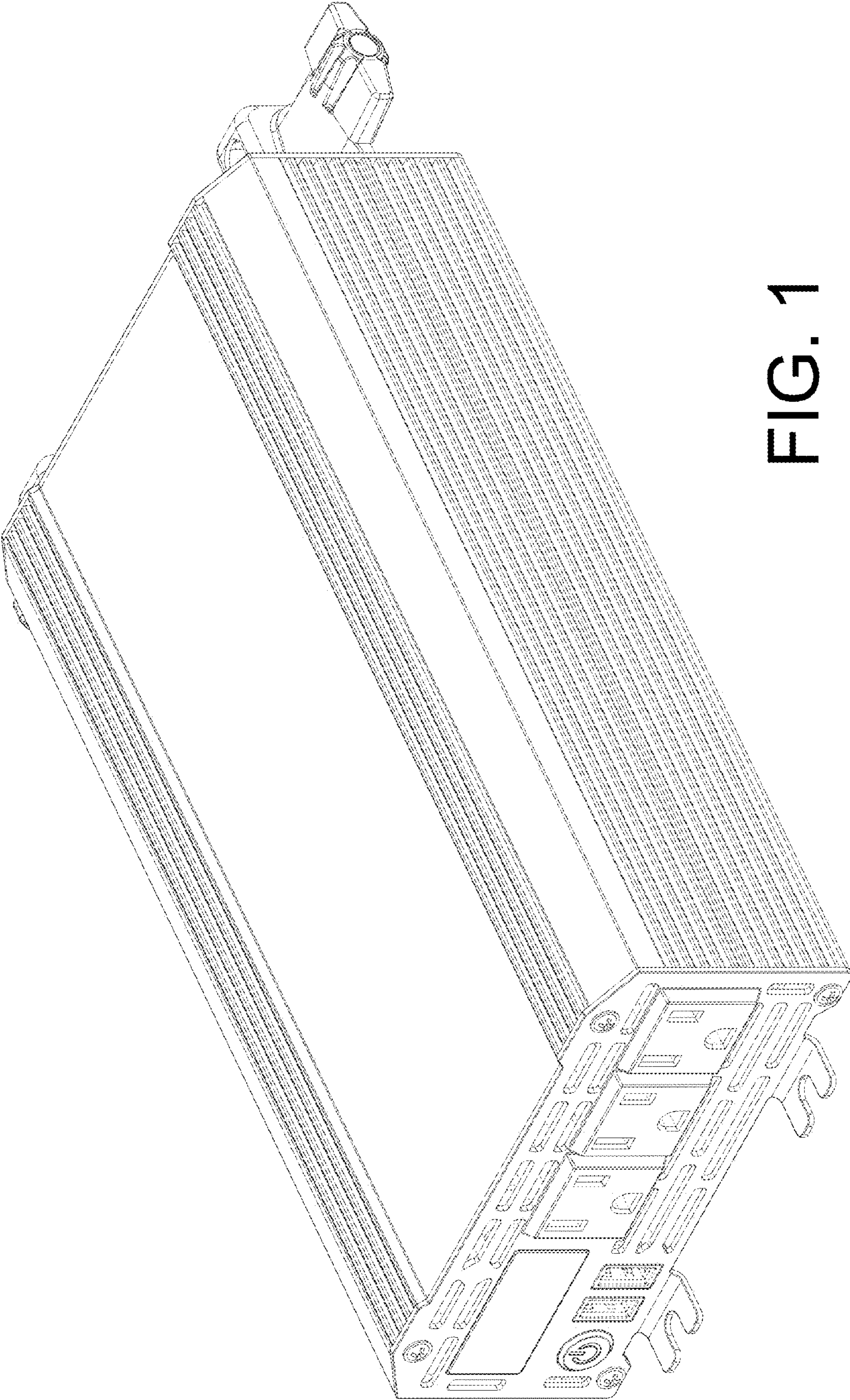


FIG. 1

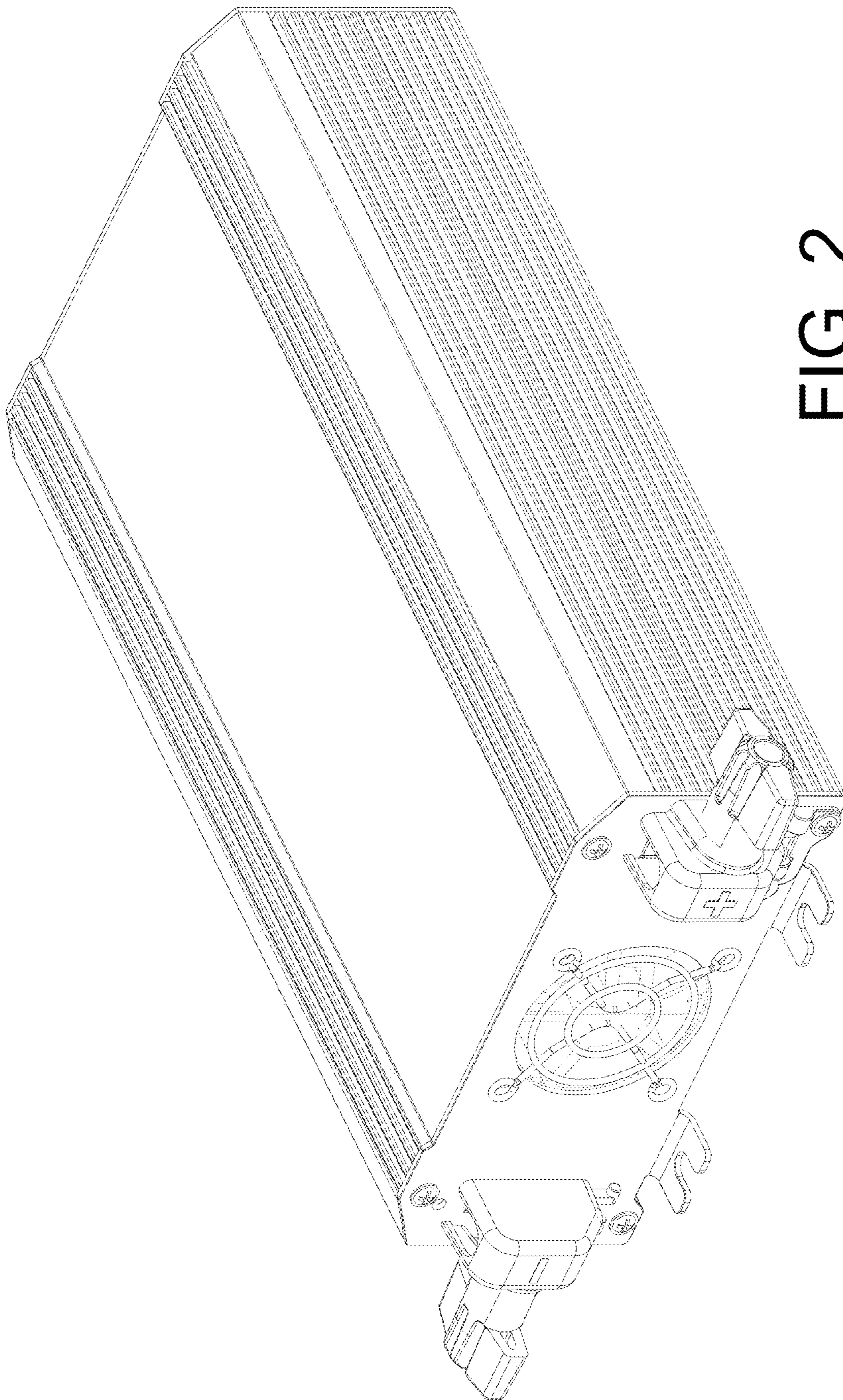


FIG. 2

FIG. 3

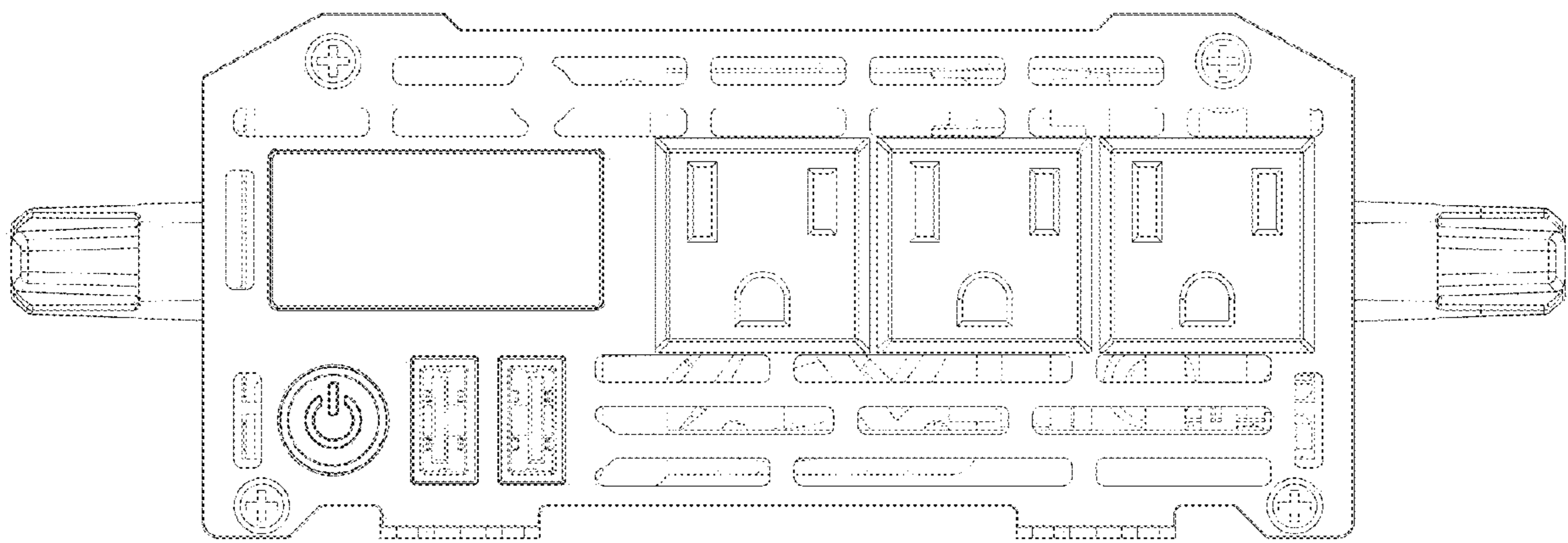


FIG. 4

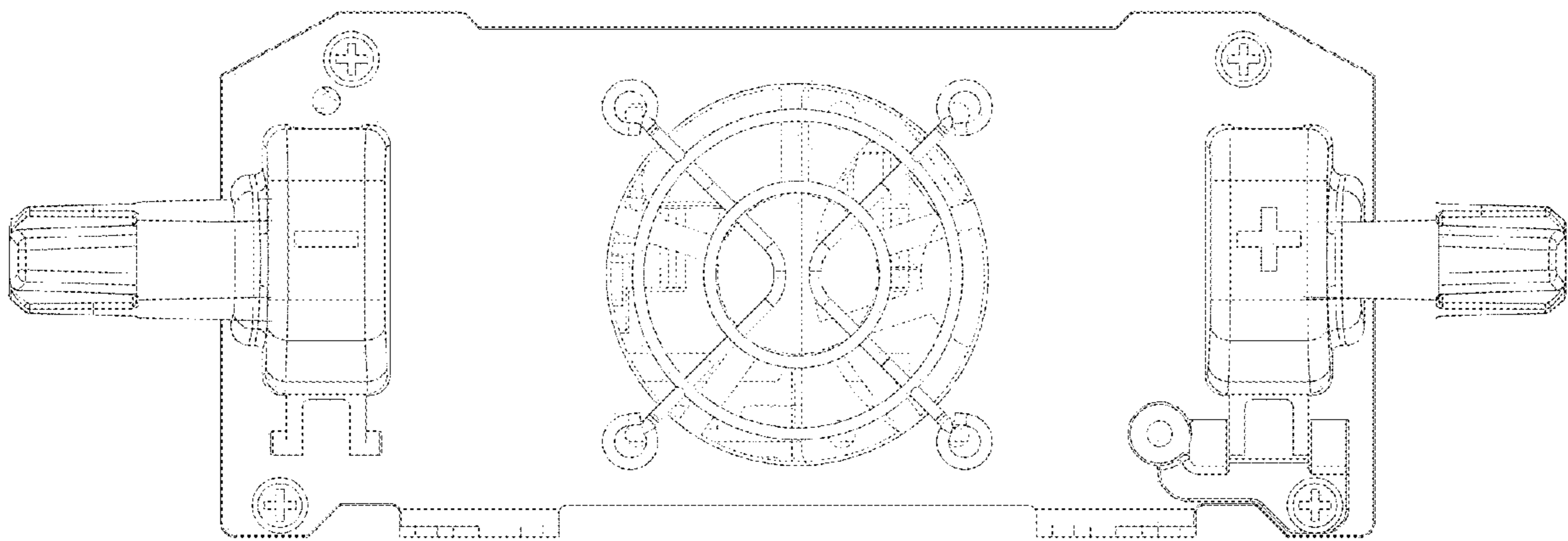


FIG. 5

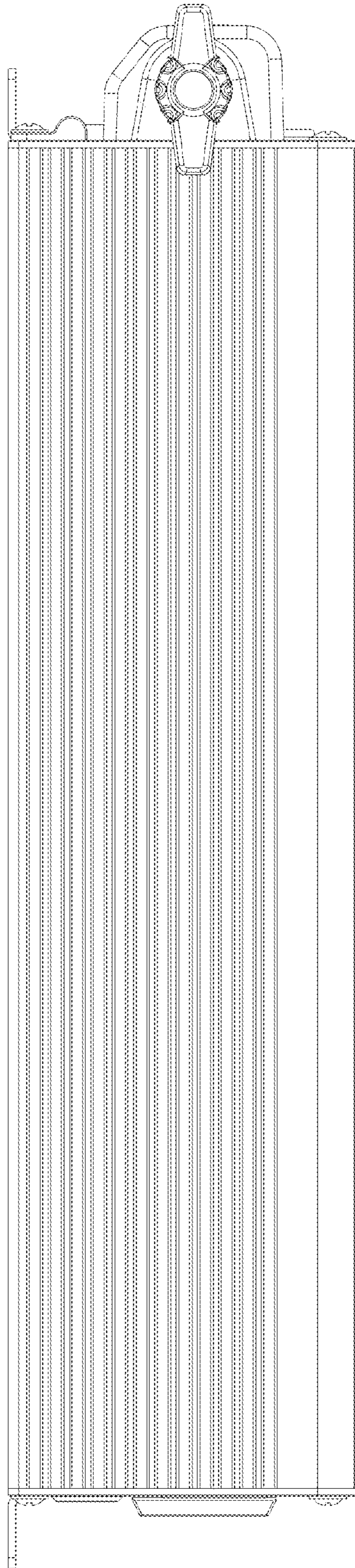


FIG. 6

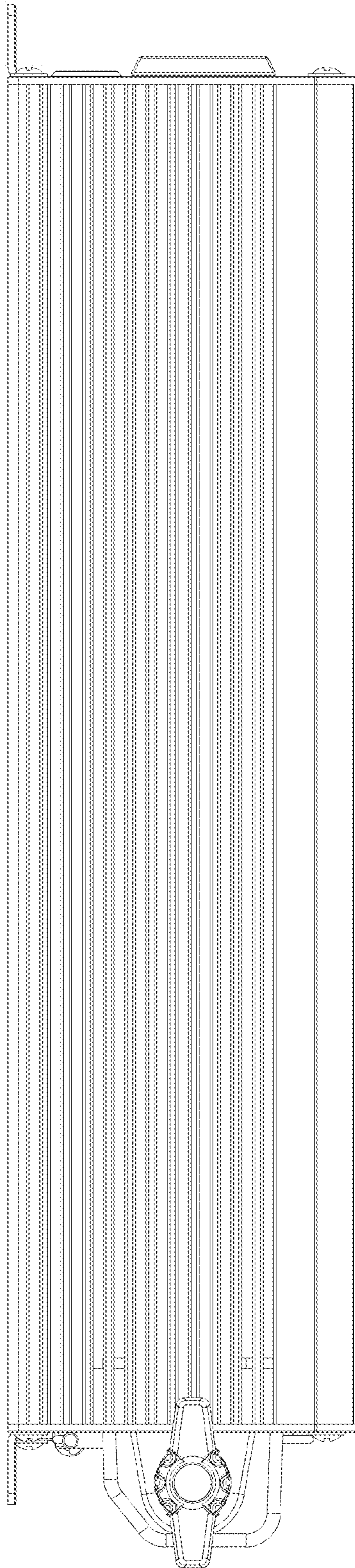
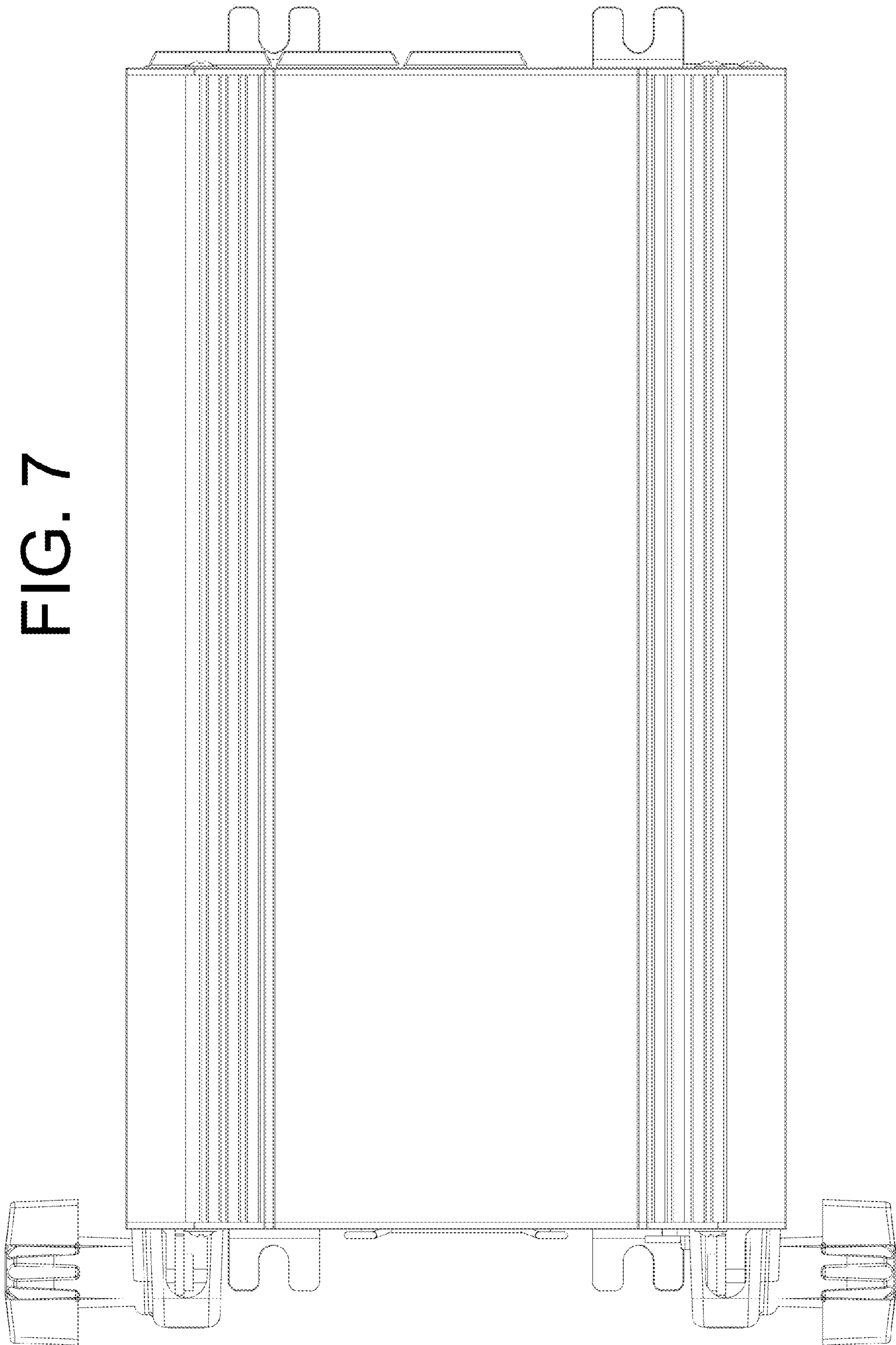


FIG. 7



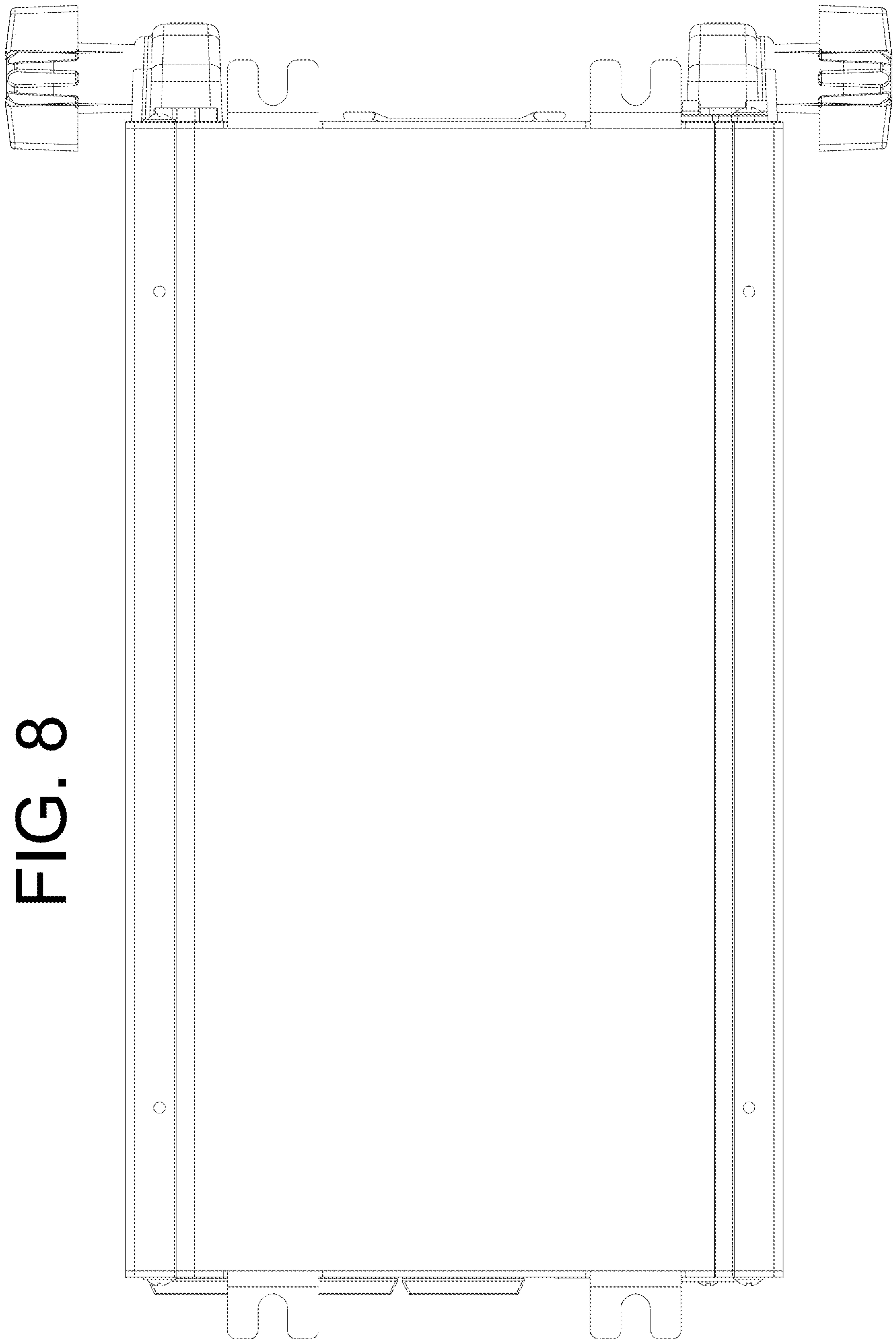


FIG. 8