



US00D885339S

(12) **United States Design Patent** (10) **Patent No.:** **US D885,339 S**
Duan (45) **Date of Patent:** **** May 26, 2020**

(54) **USB-C COMBO ADAPTER WITH CABLE**
(71) Applicant: **Bo Duan**, Suining (CN)
(72) Inventor: **Bo Duan**, Suining (CN)
(**) Term: **15 Years**
(21) Appl. No.: **29/660,350**
(22) Filed: **Aug. 21, 2018**
(51) **LOC (12) Cl.** **13-02**
(52) **U.S. Cl.**
USPC **D13/110**; D14/433
(58) **Field of Classification Search**
USPC ... D13/110, 103, 107, 108, 118, 123, 137.1,
D13/137.4, 138.1, 147, 162, 168, 169,
D13/174, 177, 184, 199; D14/257, 432,
D14/433, 438; 174/16.3, 17 R, 17.08;
361/600, 601, 690, 694, 695, 679.01,
361/679.61, 704, 730; 363/141, 142
CPC H05K 5/00; H05K 5/02; H05K 5/0247;
H05K 7/00; H05K 7/20; H05K 7/20136;
H05K 7/20154; H05K 7/209; H02M 7/00;
H02M 7/003; H02M 2001/009; H02J
7/0042; Y10T 307/367; Y02E 60/12;
Y02E 60/50; H01M 2/02; H01M 2/025;
H01M 2/0207; H01M 2/0212; H01M
10/44; H01R 13/60; H01R 13/72; H01R
13/6658; G06F 3/023; G06F 3/038; G06F
3/0626; G06F 3/0658

See application file for complete search history.

(56) **References Cited**

U.S. PATENT DOCUMENTS

D661,249 S *	6/2012	Smith	D13/110
D788,112 S *	5/2017	Liao	D14/433
D798,811 S *	10/2017	Liao	D13/110
D813,875 S *	3/2018	Liao	D14/434
2003/0148656 A1 *	8/2003	Huang	H01R 13/6658 439/501
2006/0085584 A1 *	4/2006	Chen	G06F 1/1632 710/303
2010/0151723 A1 *	6/2010	Su	H01R 13/6658 439/505

* cited by examiner

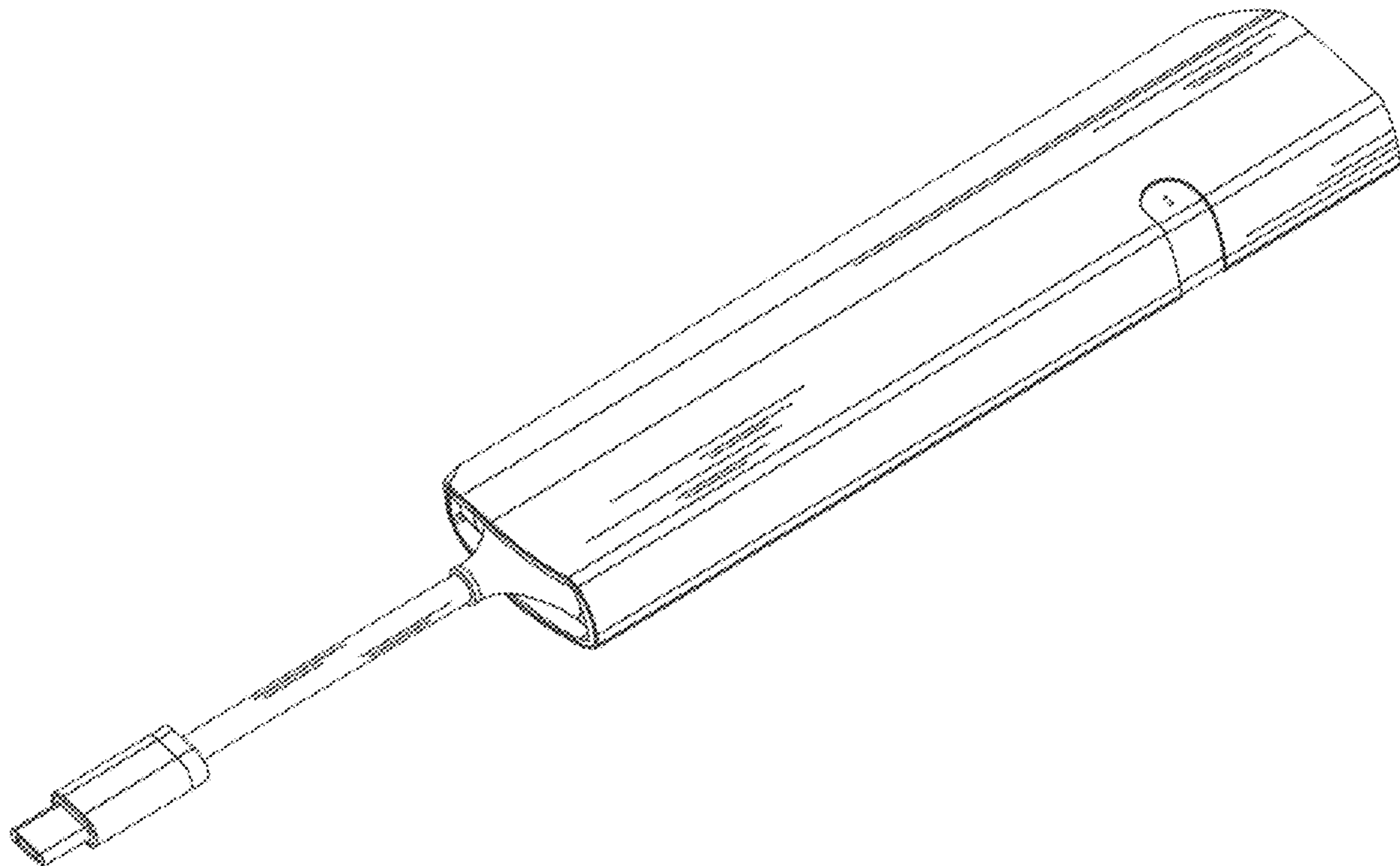
Primary Examiner — Derrick E Holland
(74) *Attorney, Agent, or Firm* — Erson IP (Nelson IP)

(57) **CLAIM**
The ornamental design for a USB-C combo adapter with cable, as shown and described.

DESCRIPTION

FIG. 1 is a perspective view of a USB-C combo adapter with cable showing my new design;
FIG. 2 is another perspective view thereof;
FIG. 3 is a front view thereof;
FIG. 4 is a rear view thereof;
FIG. 5 is a left side view thereof;
FIG. 6 is a right side view thereof;
FIG. 7 is a top plan view thereof; and,
FIG. 8 is a bottom plan view thereof.

1 Claim, 8 Drawing Sheets



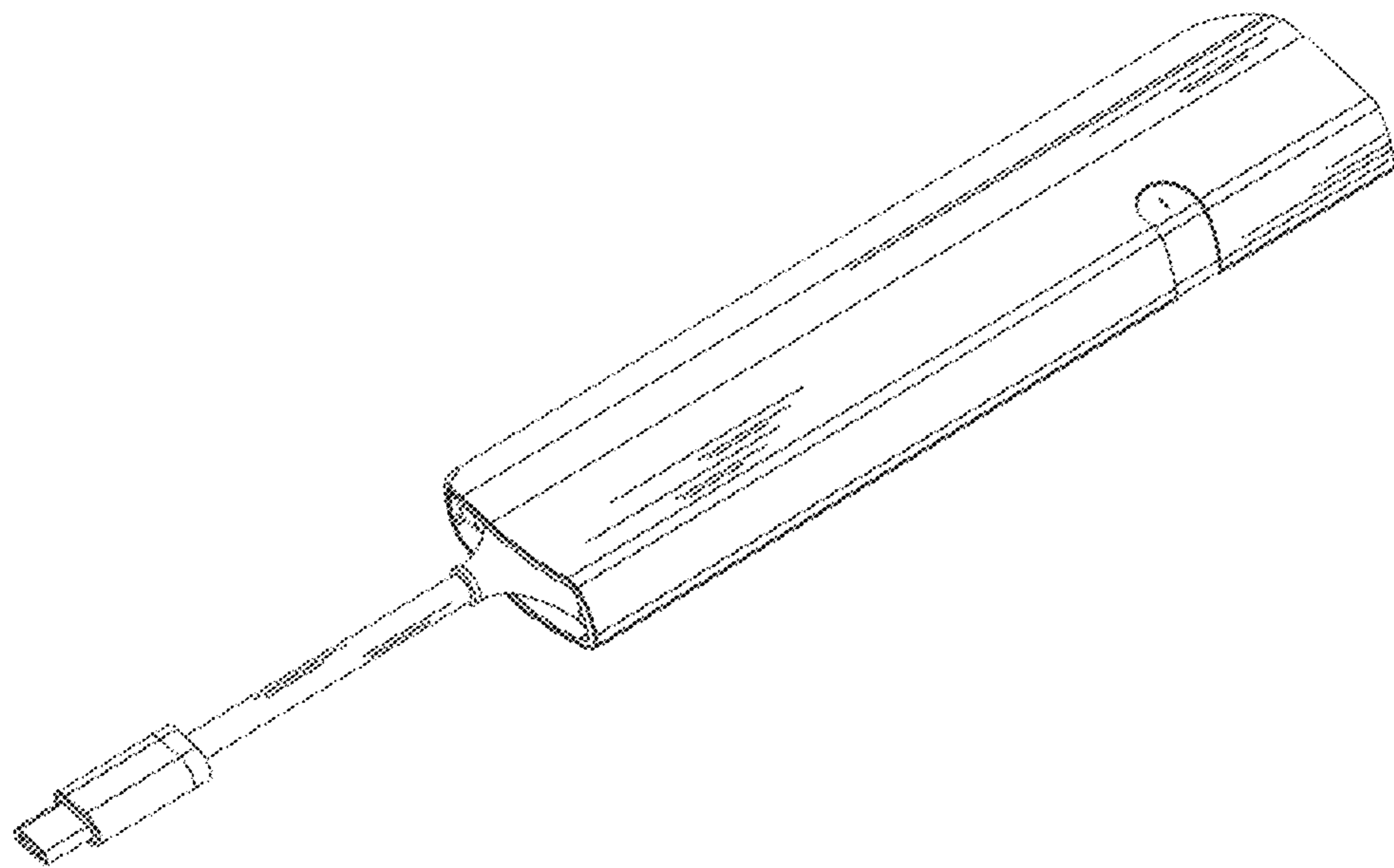


Fig. 1

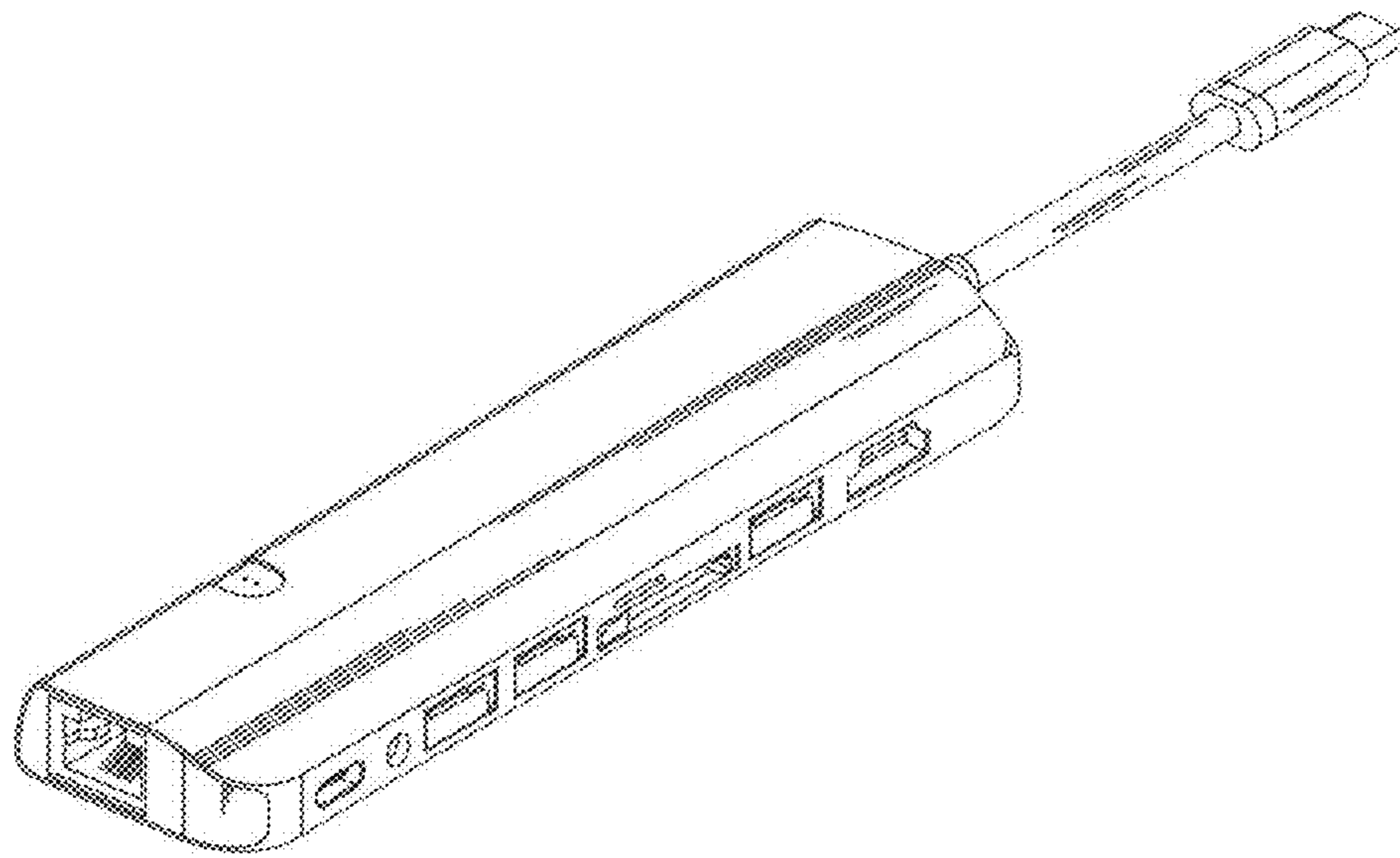


Fig. 2

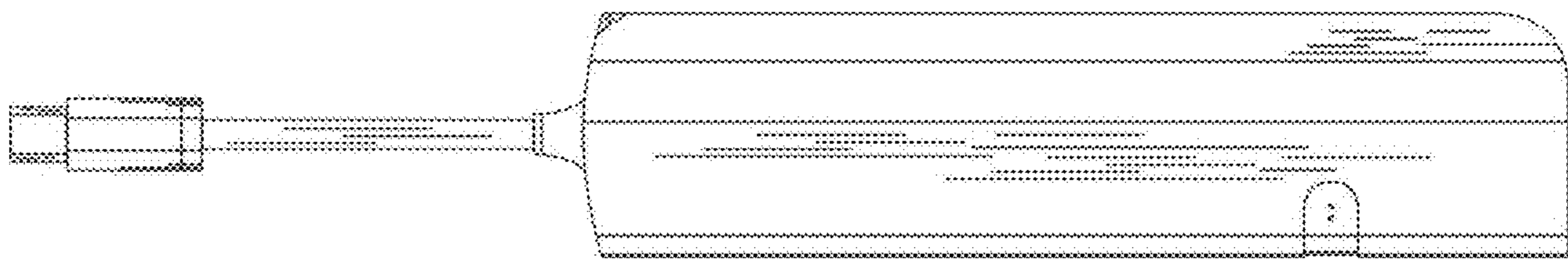


Fig. 3

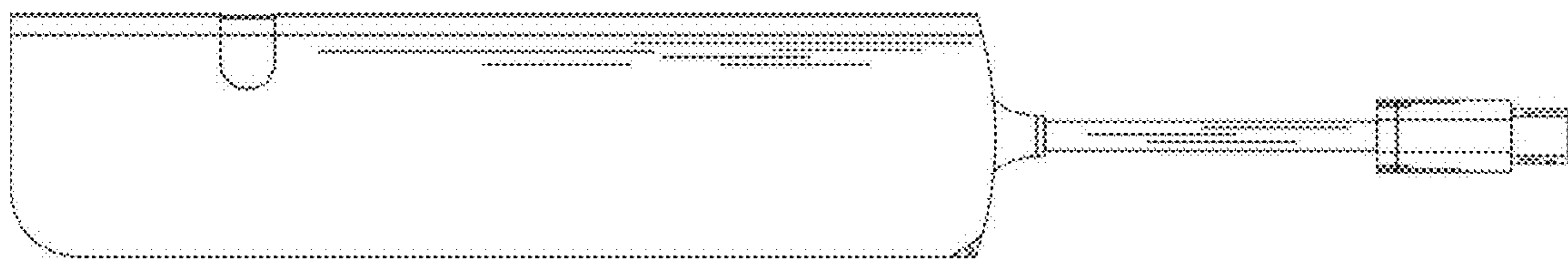


Fig. 4



Fig. 5



Fig. 6

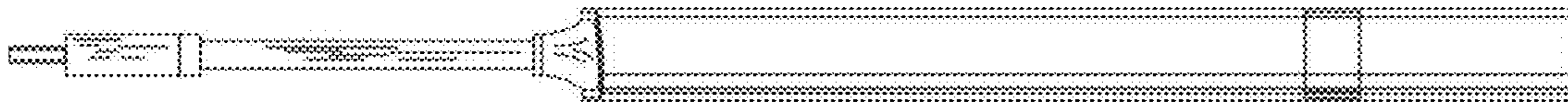


Fig. 7



Fig. 8