



US00D885337S

(12) **United States Design Patent**
Xu

(10) **Patent No.:** **US D885,337 S**

(45) **Date of Patent:** **** May 26, 2020**

(54) **PORTABLE POWER STATION**

7/0057; Y02T 10/7005; Y02T 10/705;
Y02T 10/7088; B60L 11/1809; B60L
11/1861

(71) Applicant: **Guangdong BESTEK E-commerce Co., Ltd.**, Shenzhen (CN)

See application file for complete search history.

(72) Inventor: **Xinhua Xu**, Shenzhen (CN)

(56) **References Cited**

(73) Assignee: **GUANGDONG BESTEK E-COMMERCE CO., LTD.**, Shenzhen (CN)

U.S. PATENT DOCUMENTS

(**) Term: **15 Years**

D363,064 S *	10/1995	Rogov	D14/433
D470,848 S *	2/2003	Morooka	D14/433
D478,086 S *	8/2003	Chuang	D13/110
D563,943 S *	3/2008	Watanabe	D14/188
D570,845 S *	6/2008	Liu	D14/433
D612,329 S *	3/2010	Guccione; Darren S	D13/108
D629,746 S *	12/2010	Workman; Robert Emmett	D13/103
			D13/108

(21) Appl. No.: **29/685,013**

(22) Filed: **Mar. 26, 2019**

(Continued)

(30) **Foreign Application Priority Data**

Primary Examiner — Rosemary K Tarcza

Assistant Examiner — Christy M Nemeth

Jan. 24, 2019 (CN) 2019 3 0041707

(51) **LOC (12) Cl.** **13-02**

(52) **U.S. Cl.**
USPC **D13/108; D13/103**

(57) **CLAIM**

(58) **Field of Classification Search**
USPC D13/103, 107, 108, 110, 133,
D13/137.1–137.4, 138.1–138.2,
D13/139.1–139.8, 146, 147, 151–156,
D13/173, 177, 199; D14/432, 433, 435.1,
D14/250; D23/231, 232; D15/7–9;
D8/350, 353–356

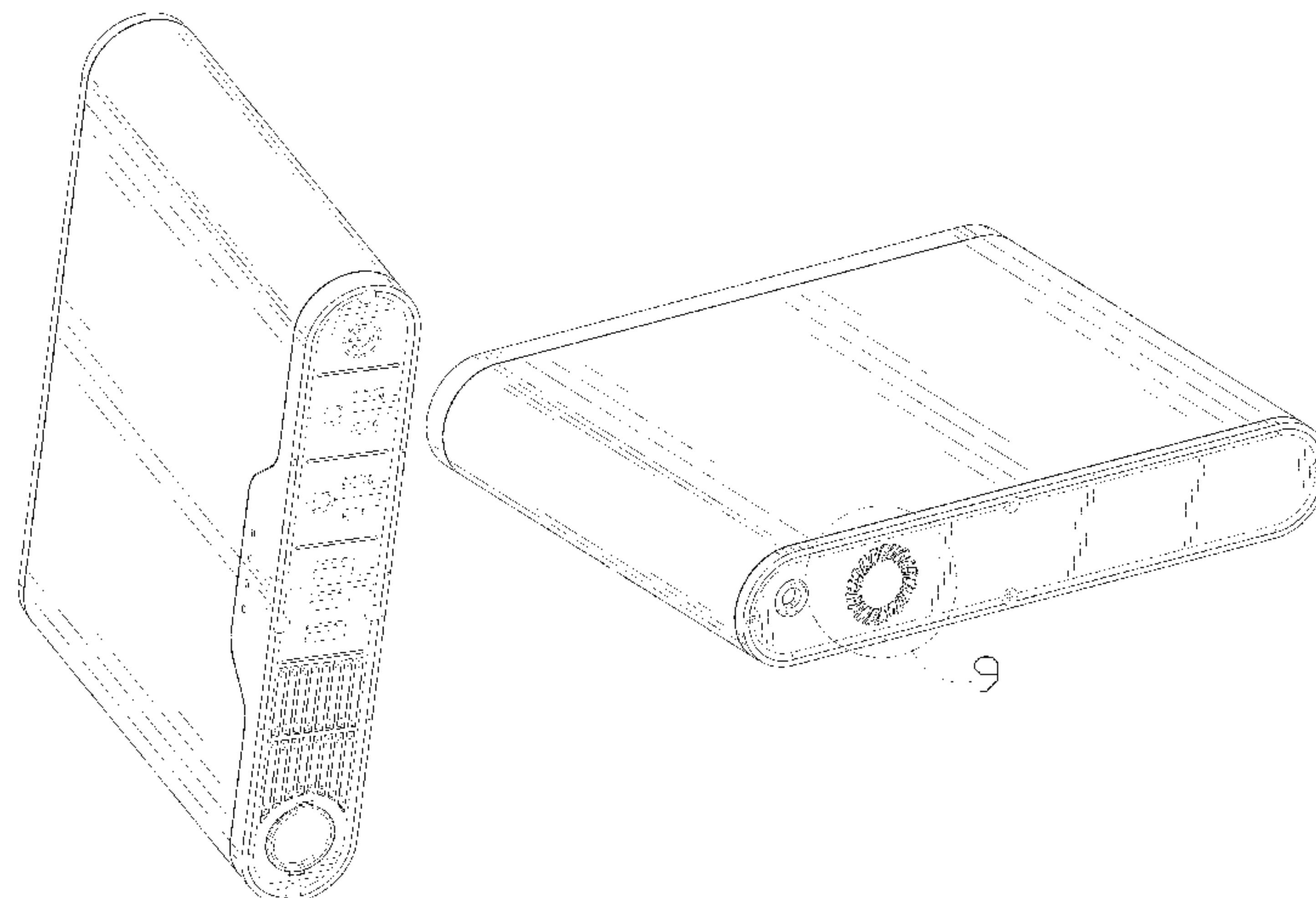
The ornamental design for a portable power station, as shown and described.

CPC H01R 11/00; H01R 9/00; H01R 13/00;
H01R 13/04; H01R 13/10; H01R
13/6666; H01R 13/6675; H01R 25/00;
H01R 25/006; H01H 2207/00; H01H
2207/022; Y02E 60/12; Y02E 60/122;
Y02E 60/124; Y02E 60/50; H01M 2/02;
H01M 2/022; H01M 2/0202; H01M
2/0207; H01M 2/0212; H01M 2/1061;
H01M 2/1022; H01M 2/1055; H01M
2/1066; H01M 2/105; H01M 2/204; H02J
7/00; H02J 7/0003; H02J 7/0011; H02J
7/0013; H02J 7/0054; H02J 7/0055; H02J

DESCRIPTION

FIG. 1 is a perspective view of a portable power station showing my new design;
FIG. 2 is another perspective view thereof;
FIG. 3 is a front elevational view thereof;
FIG. 4 is a rear elevational view thereof;
FIG. 5 is a left side elevational view thereof;
FIG. 6 is a right side elevational view thereof;
FIG. 7 is a top plan view thereof;
FIG. 8 is a bottom plan view thereof;
FIG. 9 is an enlarged view of the encircled portion 9 of FIG. 2; and,
FIG. 10 is an enlarged view of the encircled portion 10 of FIG. 3.

(Continued)



The broken lines in the drawings are for the purpose of illustrating portions of the portable power station that form no part of the claimed design.

1 Claim, 10 Drawing Sheets

(56)

References Cited

U.S. PATENT DOCUMENTS

D682,777 S *	5/2013	Gupta	D13/103
D692,378 S *	10/2013	Esses; Alfred	D13/110
D701,490 S *	3/2014	Inskeep; Mathew	D13/110
D701,838 S *	4/2014	Esses	D13/108
D705,719 S *	5/2014	Wong	D13/103
D708,571 S *	7/2014	Ji	D13/103
D720,755 S *	1/2015	Nokuo	D14/433
D751,985 S *	3/2016	Curry	D13/103
D769,877 S *	10/2016	Akana	D14/433
D786,790 S *	5/2017	Miller	D13/108
D797,044 S *	9/2017	Miller	D13/108
D797,747 S *	9/2017	Xu	D14/433
D803,779 S *	11/2017	Jung	D13/107
D813,803 S *	3/2018	Massar	D13/108
D814,412 S *	4/2018	Georgiades	D13/108
D815,036 S *	4/2018	Martorell	D13/108
D816,029 S *	4/2018	Dai	D13/108
D816,606 S *	5/2018	Georgiades	D13/108

D821,972 S *	7/2018	Wei	D13/108
D824,328 S *	7/2018	Liu	D13/108
D824,329 S *	7/2018	Conocenti	D13/108
D825,455 S *	8/2018	Liu	D13/103
D828,354 S *	9/2018	Chuang	D14/433
D828,356 S *	9/2018	Xie	D14/433
D829,213 S *	9/2018	Szeremeta	D14/432
D836,543 S *	12/2018	Sun	D13/108
D838,669 S *	1/2019	Miller	D13/108
D841,652 S *	2/2019	Akana	D14/433
D844,560 S *	4/2019	Miller	D13/108
D851,586 S *	6/2019	Liu	D13/108
D853,322 S *	7/2019	Xu	D13/108
D853,396 S *	7/2019	Kong	D14/434
D853,958 S *	7/2019	Lei	D13/108
D853,959 S *	7/2019	Miller	D13/108
D862,384 S *	10/2019	Jen	D13/108
D862,385 S *	10/2019	Turksu	D13/108
D864,861 S *	10/2019	Roberts	D13/108
D864,964 S *	10/2019	Lyu	D14/433
D864,966 S *	10/2019	Sang	D14/434
D866,557 S *	11/2019	Xiong	D14/433
D867,280 S *	11/2019	Chen	D13/103
D869,392 S *	12/2019	Roberts	D13/108
D869,411 S *	12/2019	Wang	D14/125
D869,467 S *	12/2019	Lin	D14/434
D871,324 S *	12/2019	Roberts	D13/108
D871,329 S *	12/2019	Chen	D13/108
D872,011 S *	1/2020	Rao	D13/107
D872,012 S *	1/2020	Rao	D13/107

* cited by examiner

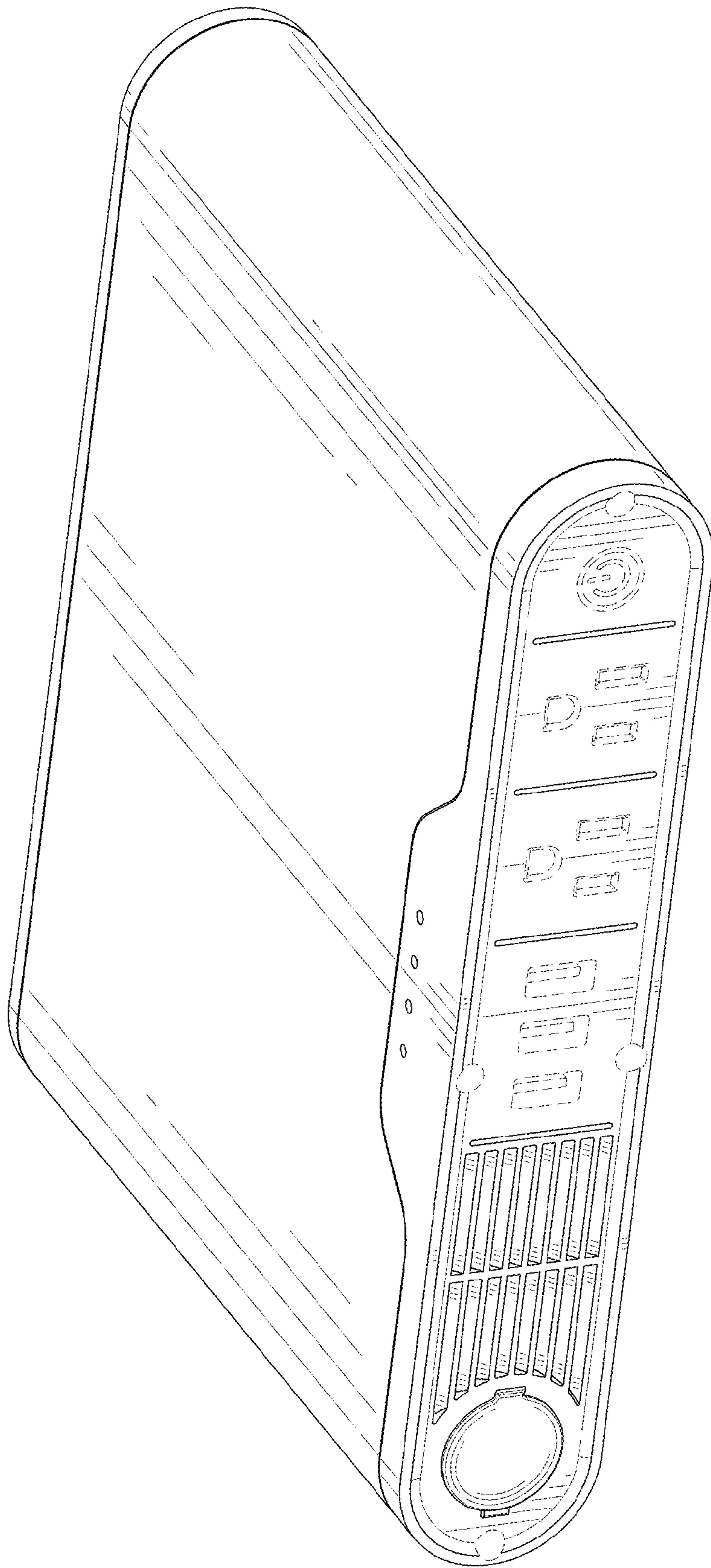


FIG. 1

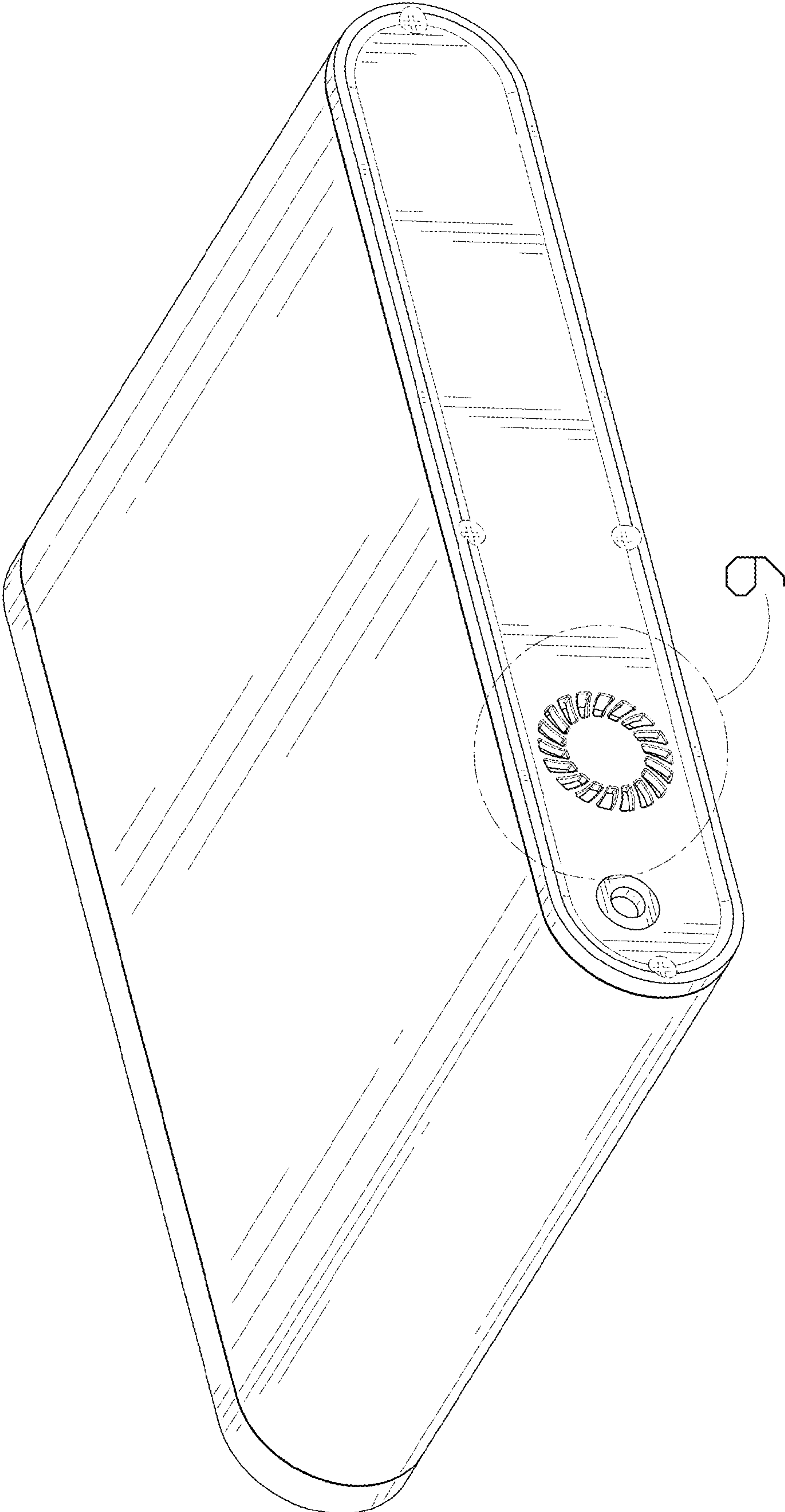


FIG. 2

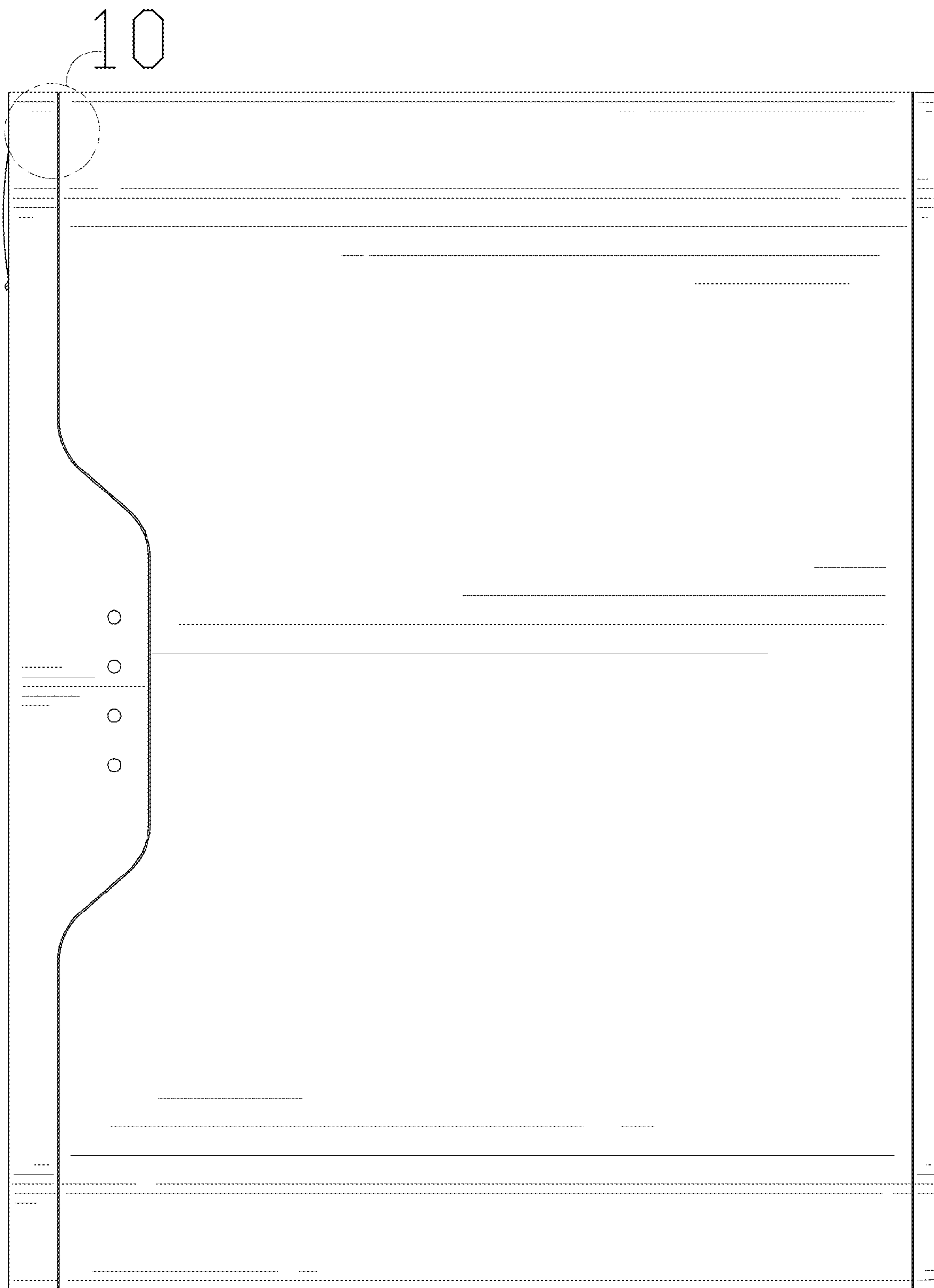


FIG. 3

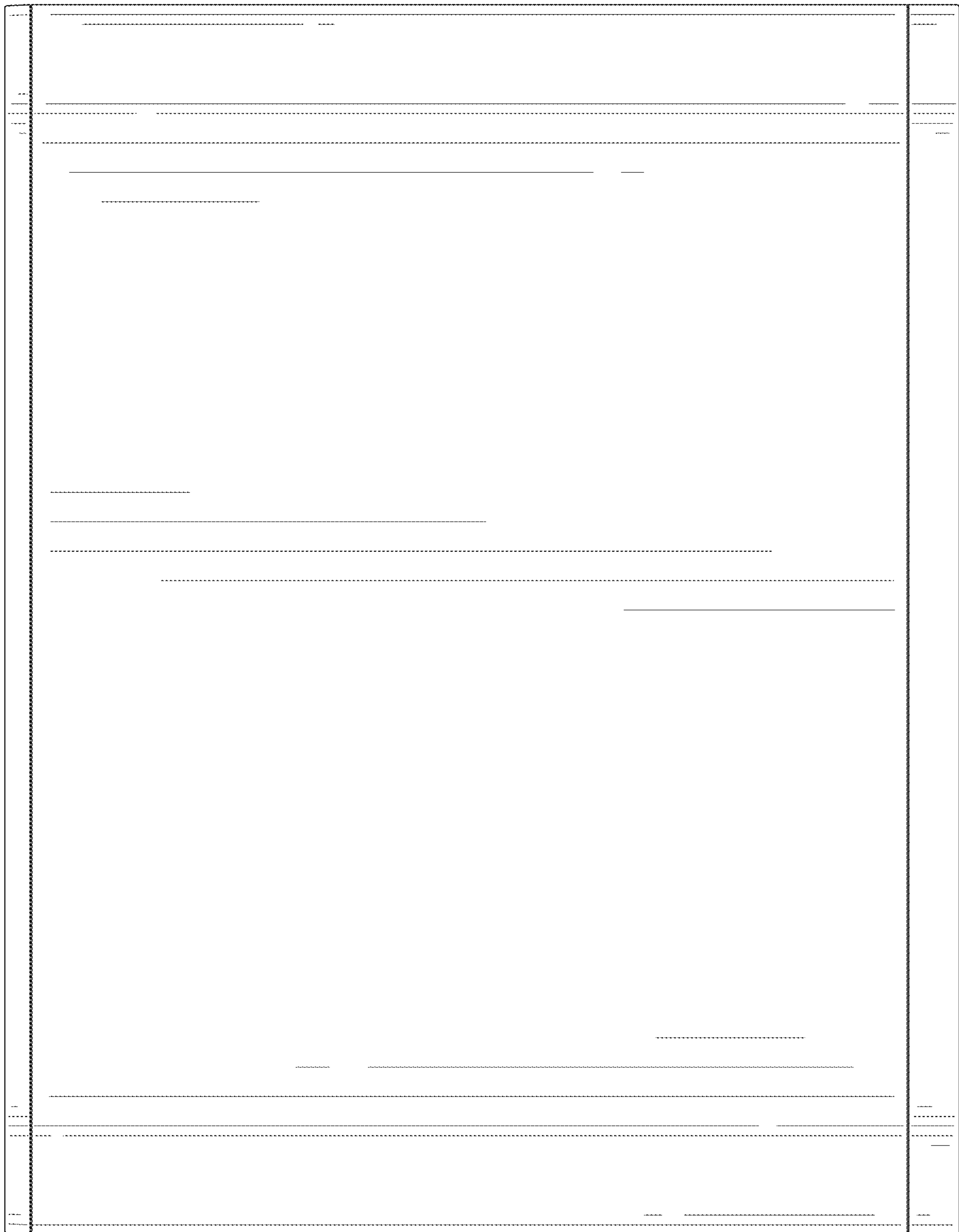


FIG. 4

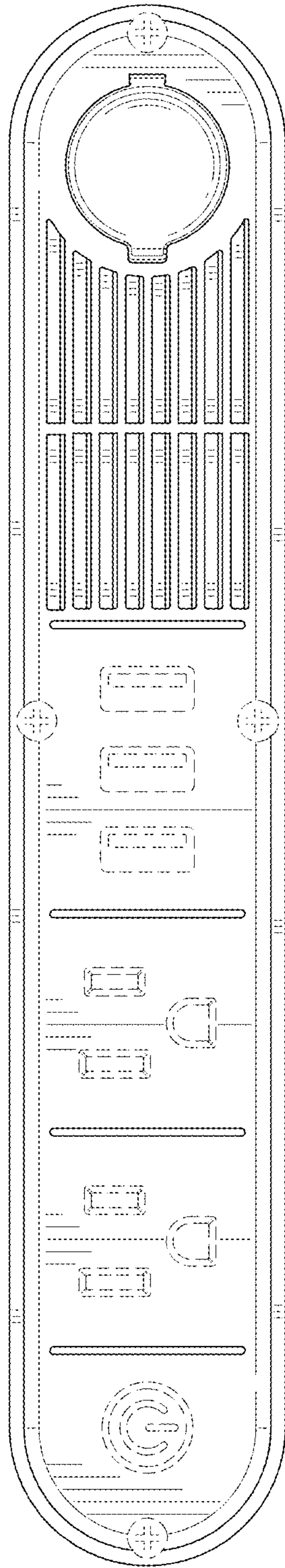


FIG. 5

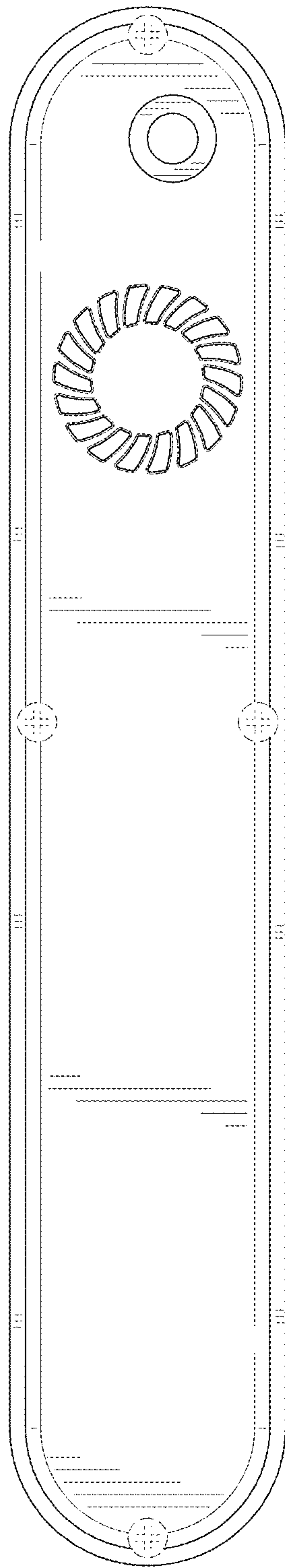


FIG. 6

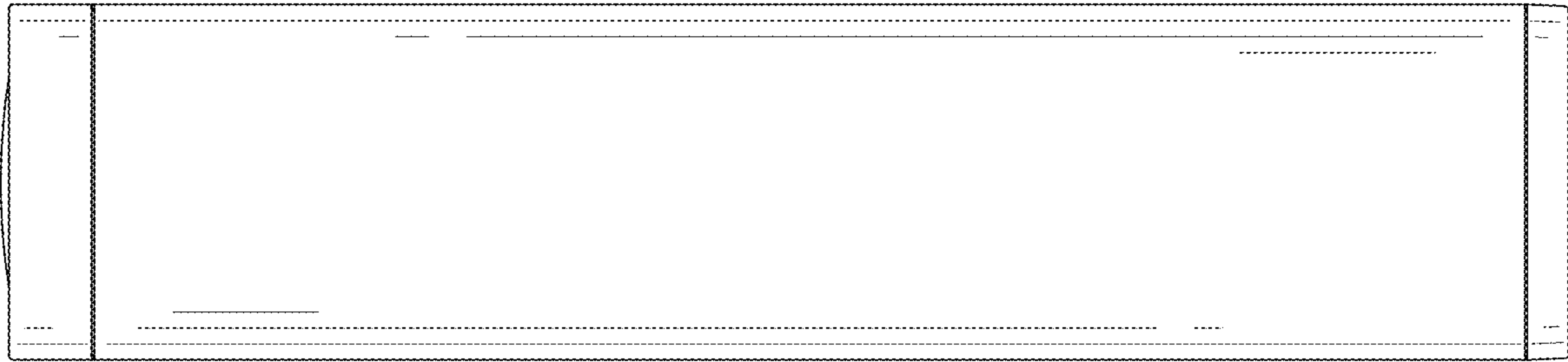


FIG. 7

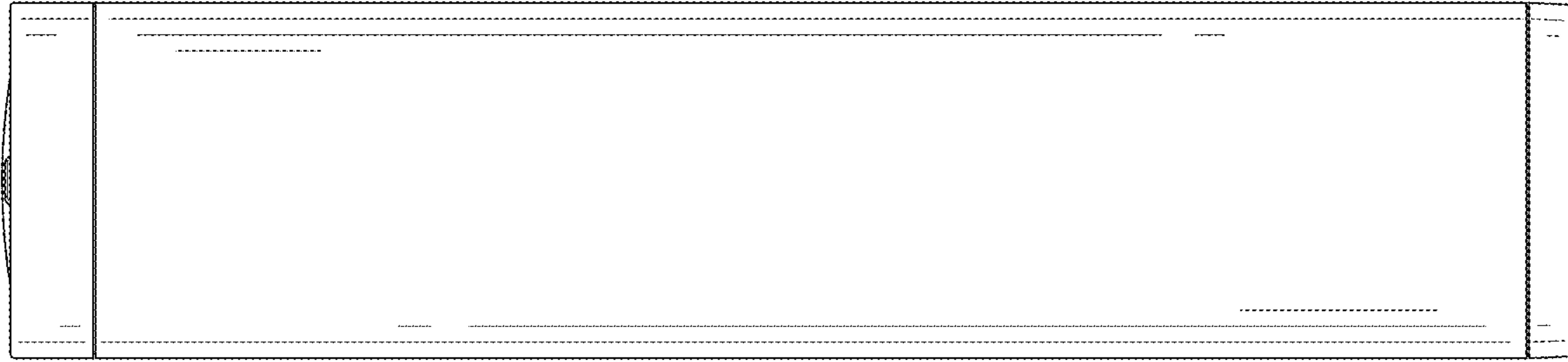


FIG. 8

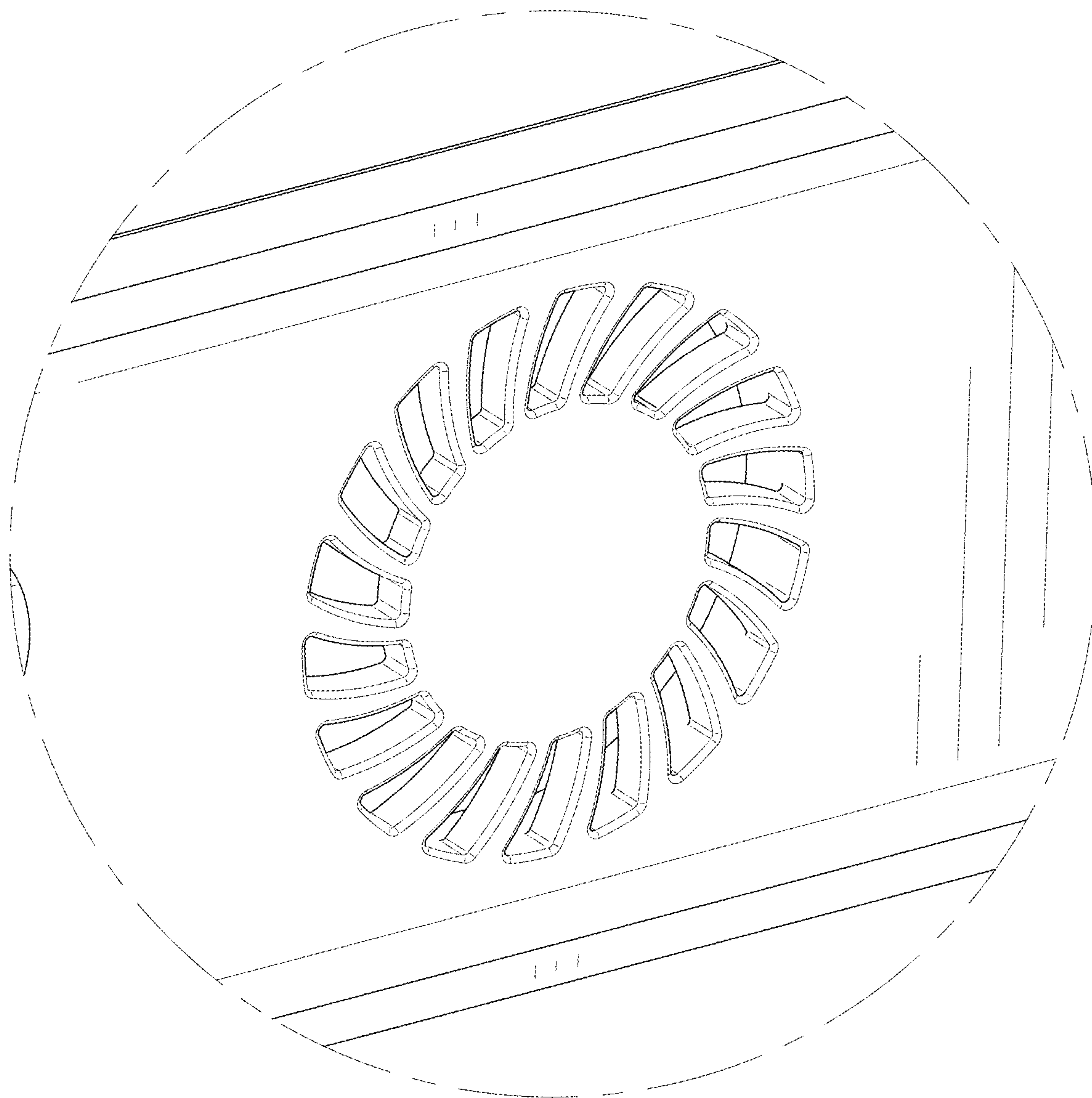


FIG. 9

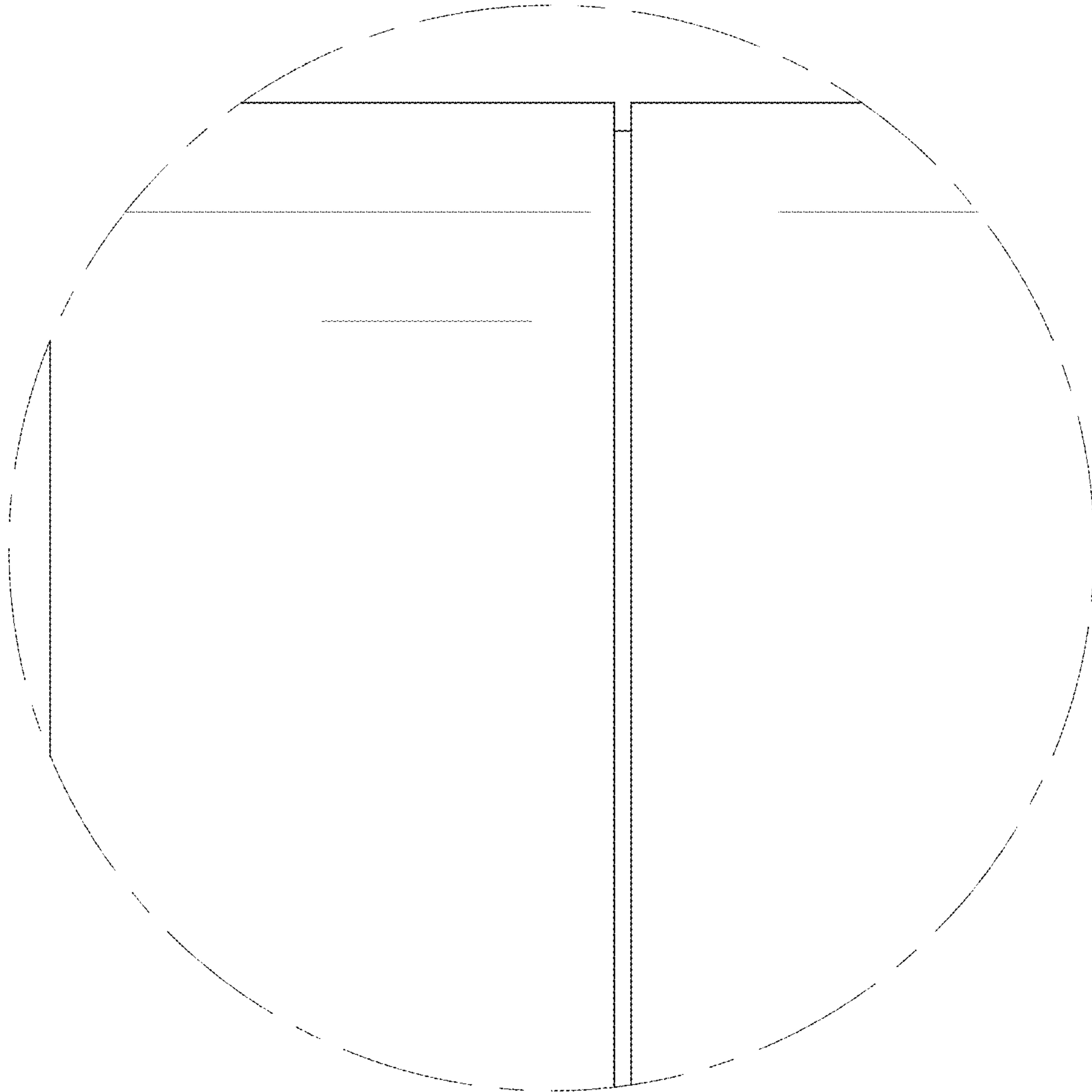


FIG. 10