



US00D885335S

(12) **United States Design Patent**
Deng

(10) **Patent No.:** **US D885,335 S**

(45) **Date of Patent:** **** May 26, 2020**

(54) **CHARGER**

(71) Applicant: **Shenzhen Guandexin Technology CO., LTD**, Shenzhen (CN)

(72) Inventor: **Shaobo Deng**, Shenzhen (CN)

(73) Assignee: **Shenzhen Guandexin Technology CO., LTD**. (CN)

(**) Term: **15 Years**

(21) Appl. No.: **29/678,721**

(22) Filed: **Jan. 30, 2019**

(51) **LOC (12) Cl.** **13-02**

(52) **U.S. Cl.**
USPC **D13/108**

(58) **Field of Classification Search**
USPC D13/103, 107-108, 110, 118, 184, 199,
D13/137.1-137.3, 138.1, 138.2
CPC H02J 7/02; H02J 7/0013; H02J 7/0021;
H02J 7/0022; H02J 7/0026; H02J 7/0027;
H02J 7/0042; H02J 7/0044; H02J 7/0045;
H02J 7/0003; H01M 10/44; H01M
10/441; H01R 13/648; H01R 13/652;
H01R 13/6675
See application file for complete search history.

(56) **References Cited**

U.S. PATENT DOCUMENTS

D520,448 S * 5/2006 Lodato D13/110
D620,889 S * 8/2010 Smith D13/108

D627,729 S * 11/2010 Smith D13/108
D642,524 S * 8/2011 Fitch D13/110
D653,615 S * 2/2012 Au D13/108
D693,764 S * 11/2013 Hok Man D13/108
D699,674 S * 2/2014 Man D13/108
D712,829 S * 9/2014 Huang D13/110
D730,826 S * 6/2015 Moanack D13/110
D734,260 S * 7/2015 Cypress D13/110
D791,700 S * 7/2017 Loewen D13/108
D792,345 S * 7/2017 Loewen D13/108
D807,826 S * 1/2018 Miller D13/133
D808,904 S * 1/2018 Koenig D13/110
D809,456 S * 2/2018 Miller D13/110
D863,217 S * 10/2019 Jin D13/108
D866,459 S * 11/2019 Huang D13/108

* cited by examiner

Primary Examiner — Rosemary K Tarcza

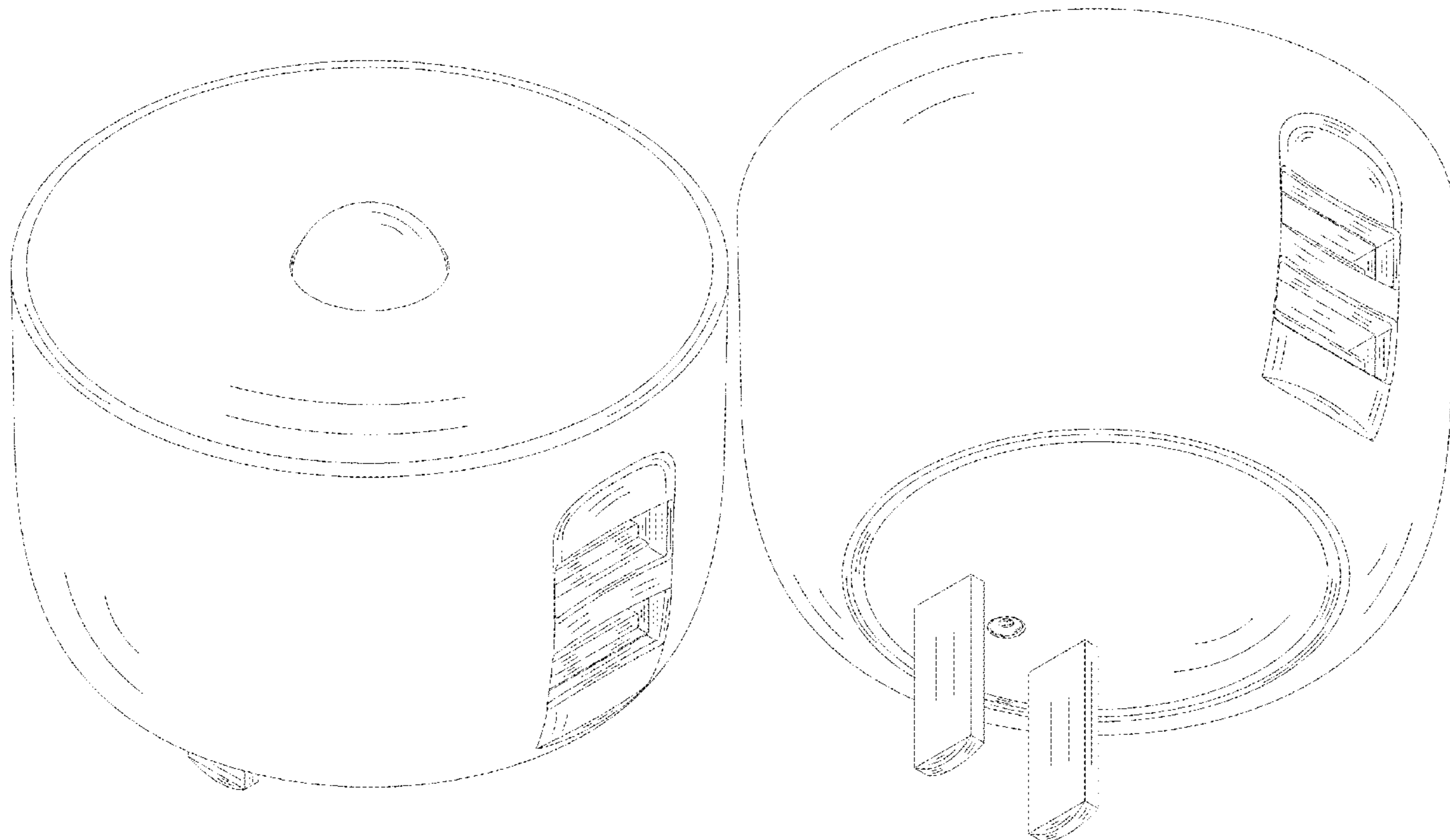
(57) **CLAIM**

The ornamental design for a charger, as shown and described.

DESCRIPTION

FIG. 1 is a front view of a charger, showing my new design;
FIG. 2 is a back view thereof;
FIG. 3 is a left side view thereof;
FIG. 4 is a right side view thereof;
FIG. 5 is a top view thereof;
FIG. 6 is a bottom view thereof;
FIG. 7 is a perspective view thereof; and,
FIG. 8 is another perspective view thereof.

1 Claim, 8 Drawing Sheets



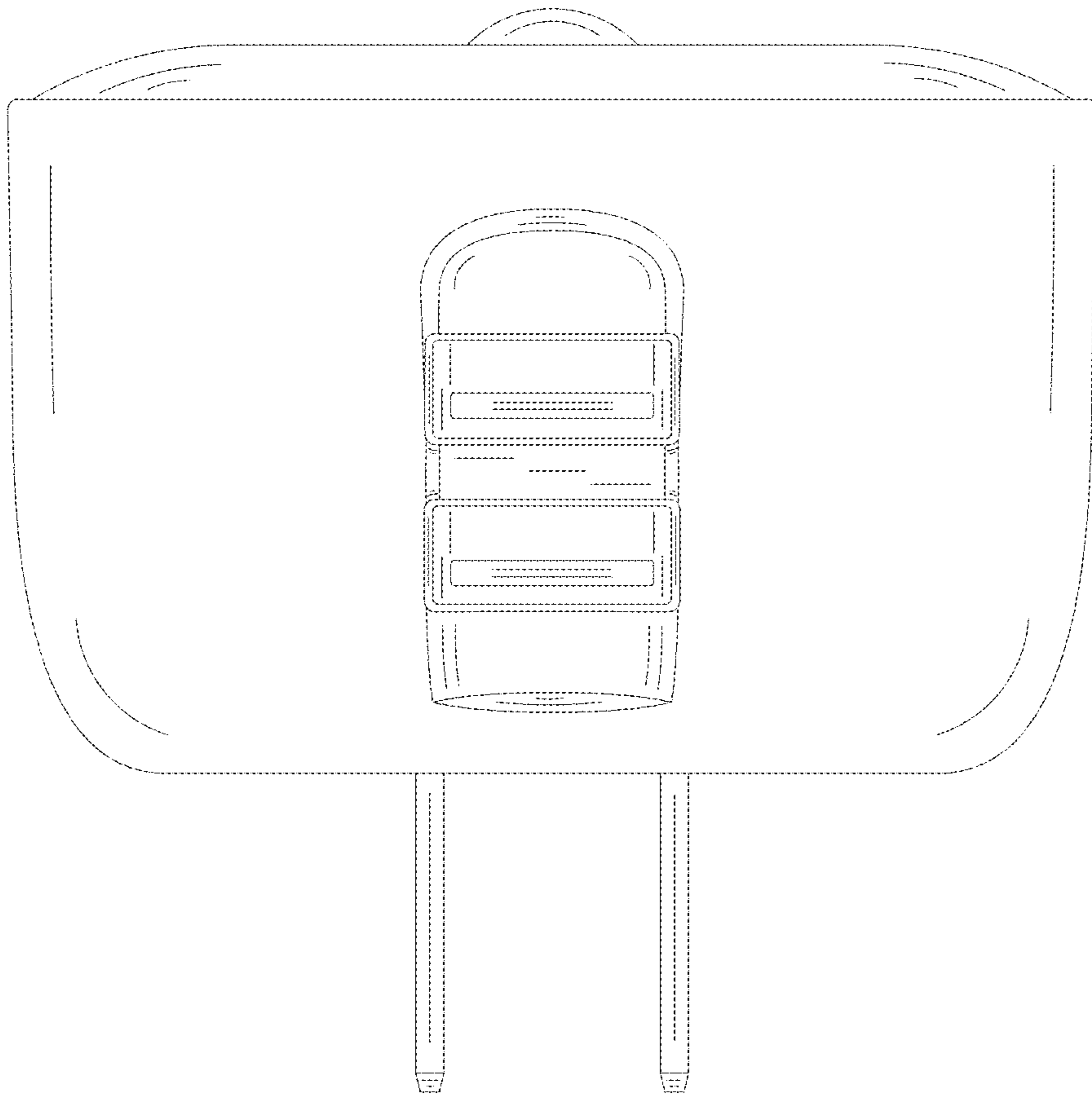


FIG. 1

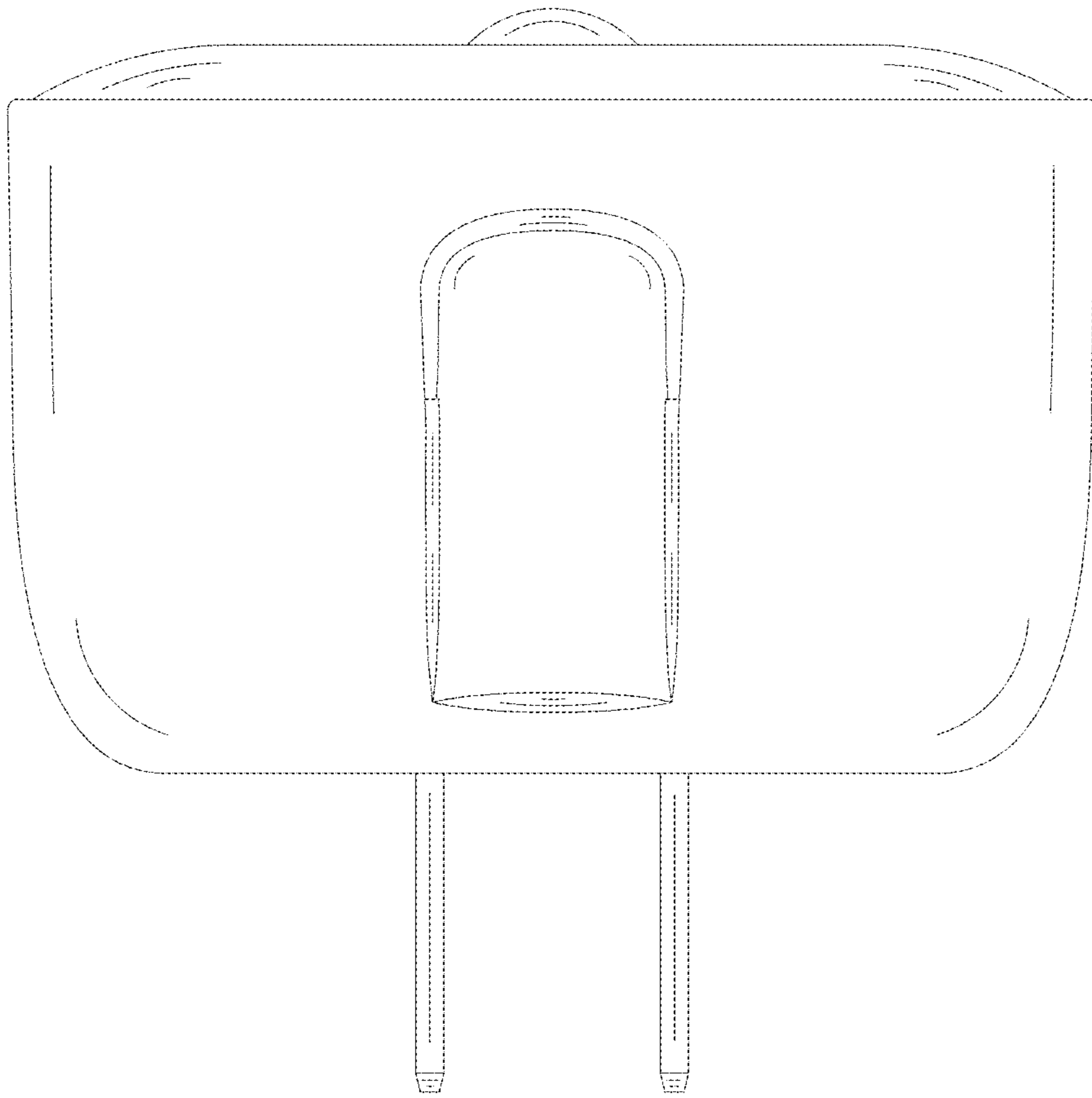


FIG. 2

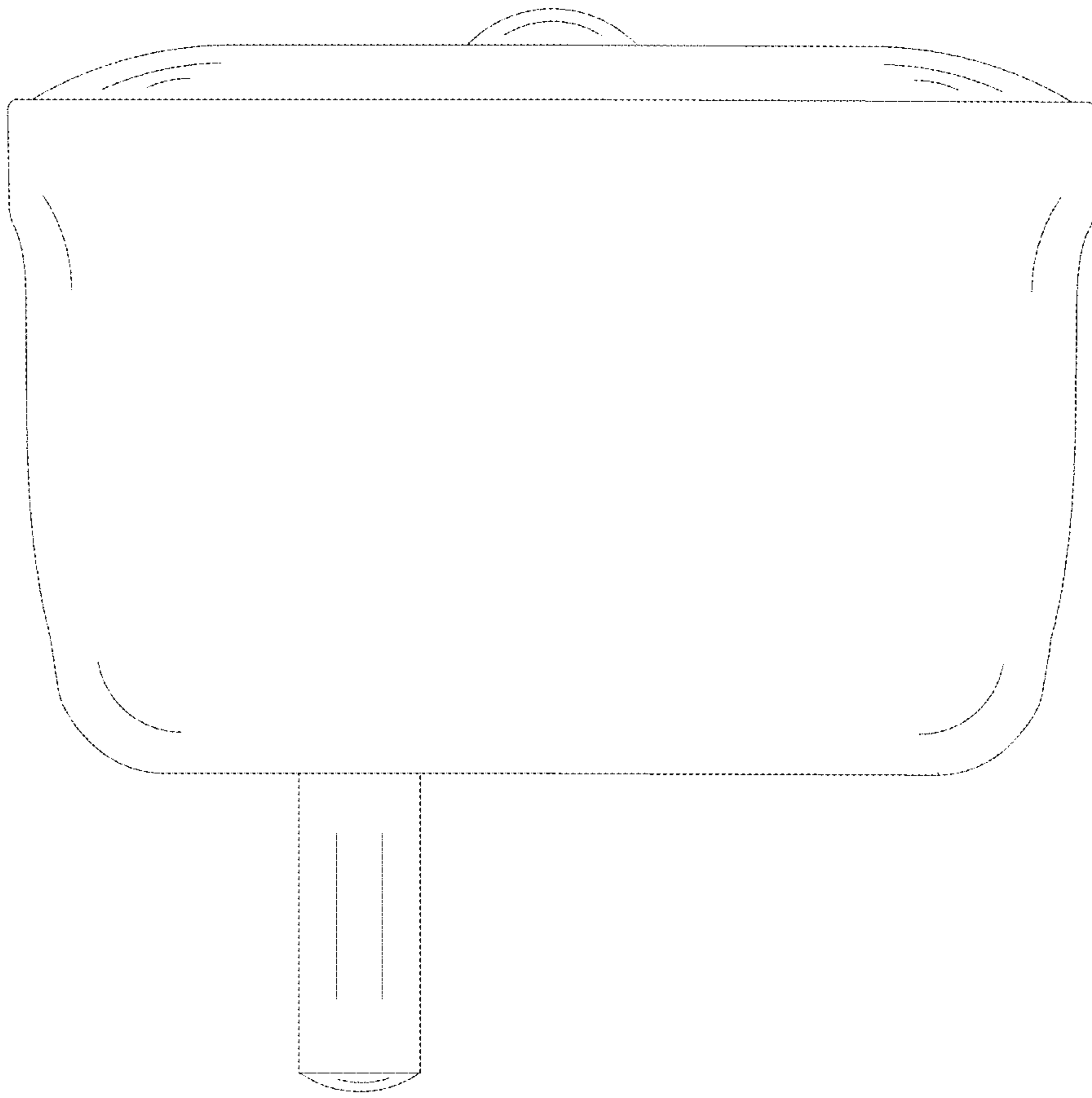


FIG. 3

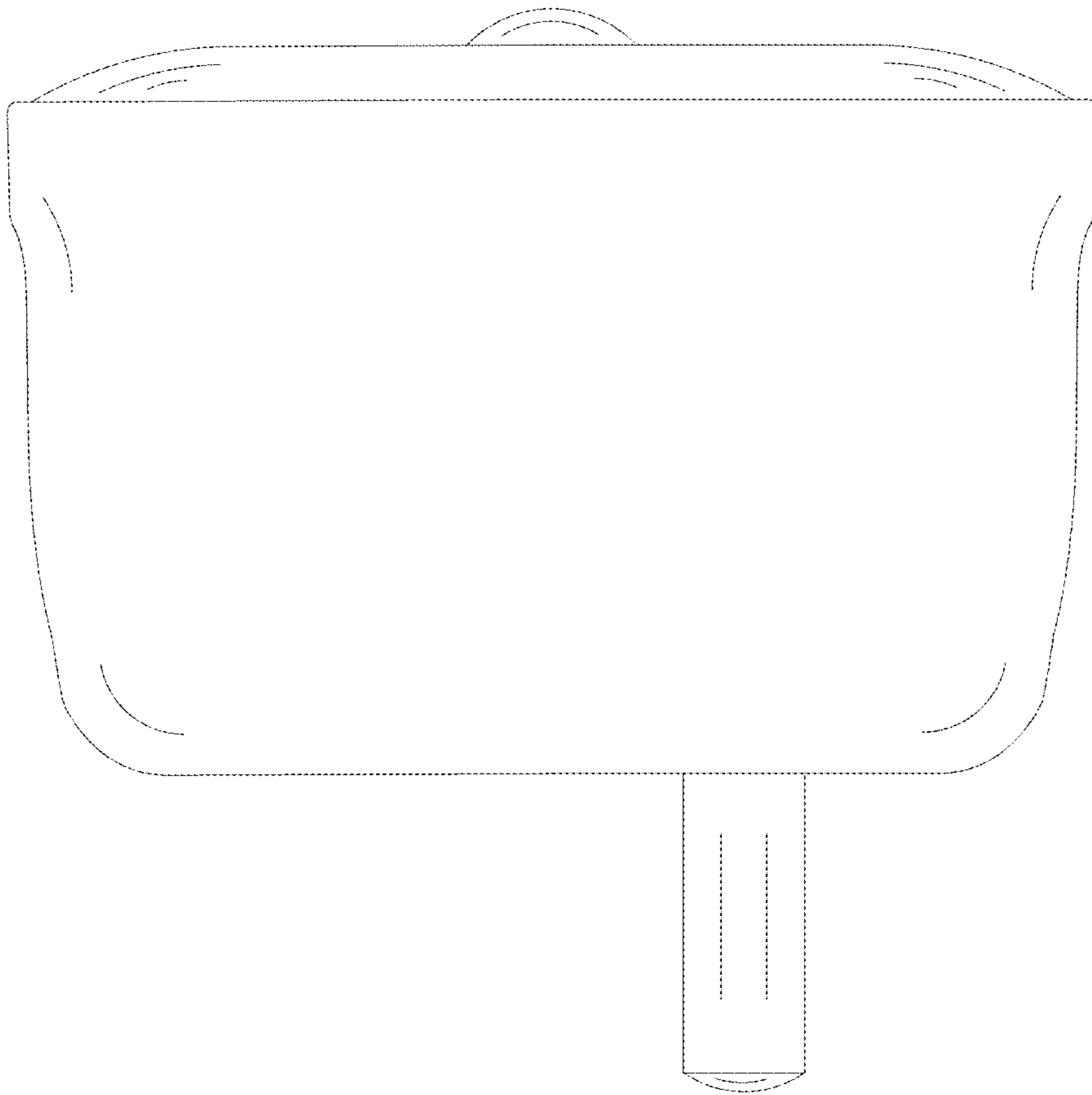


FIG. 4

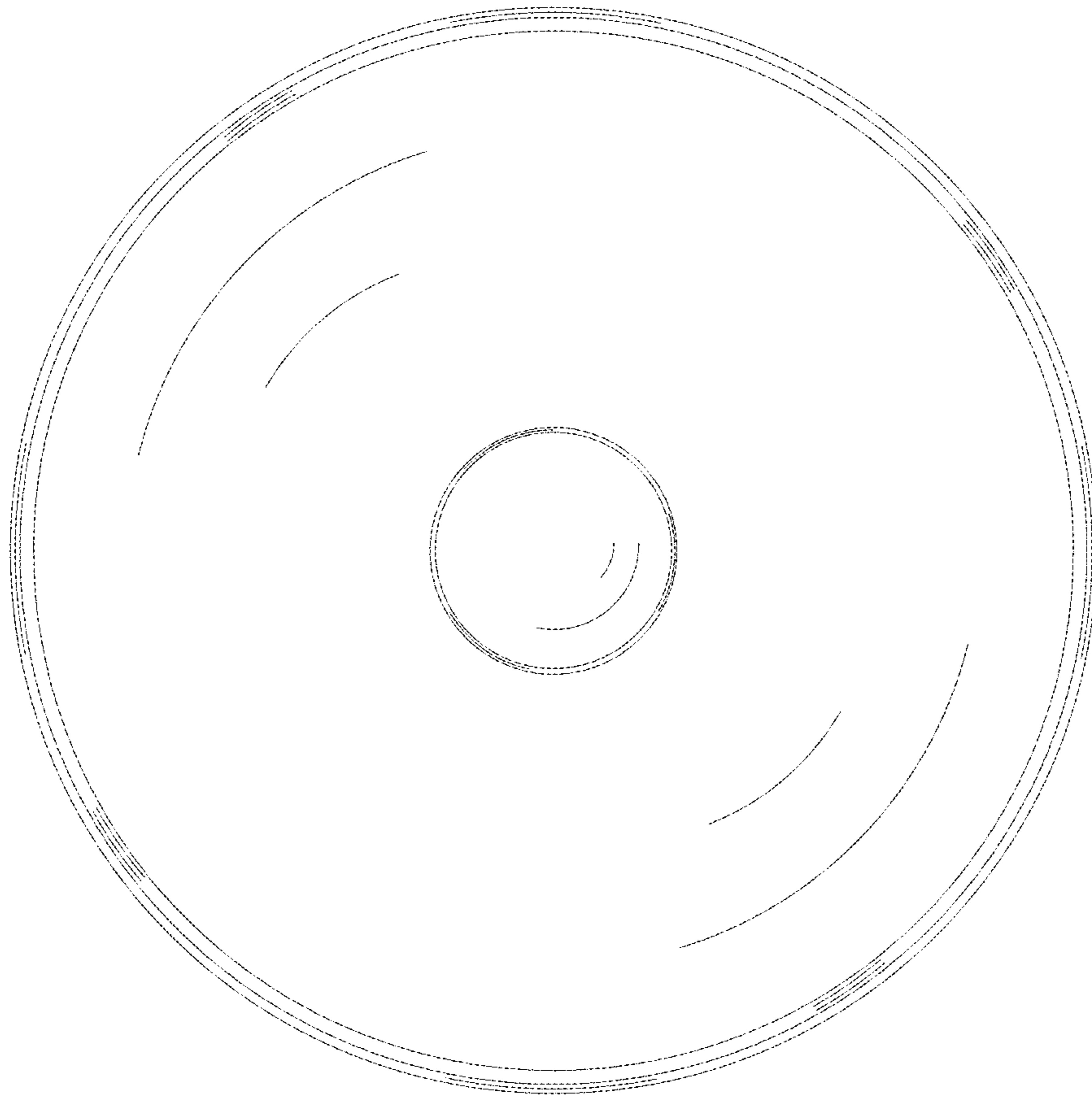


FIG. 5

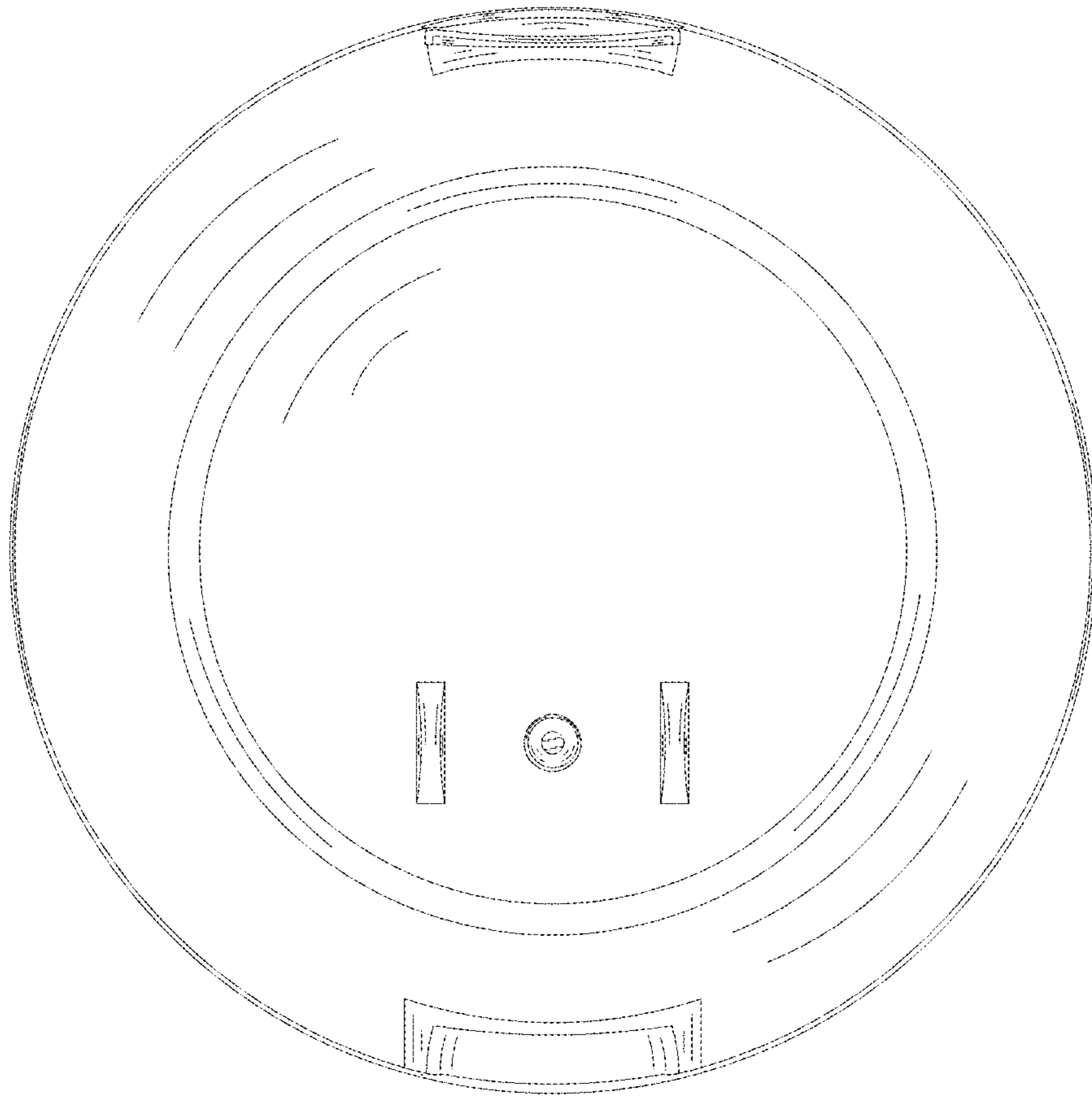


FIG. 6

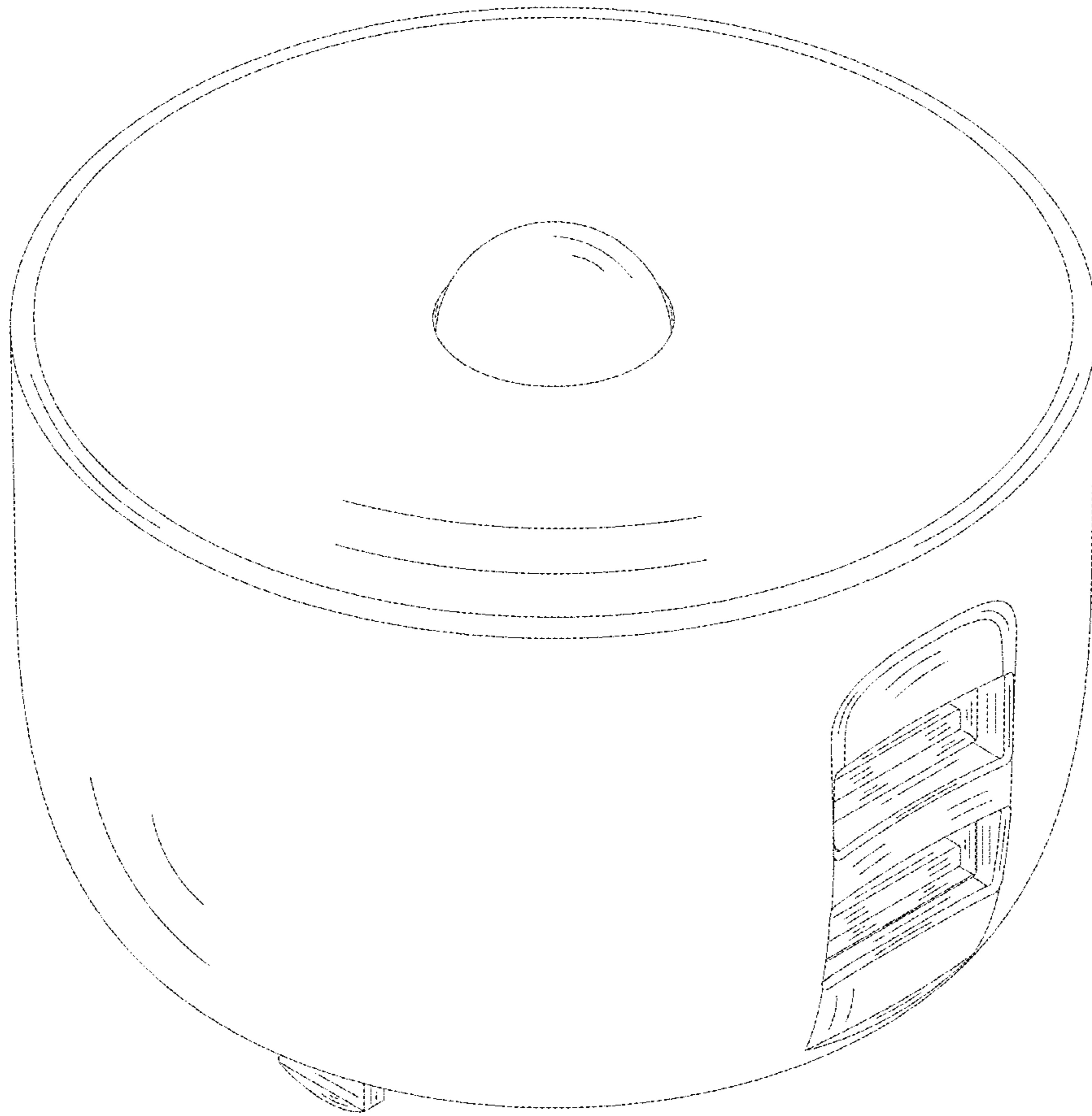


FIG. 7

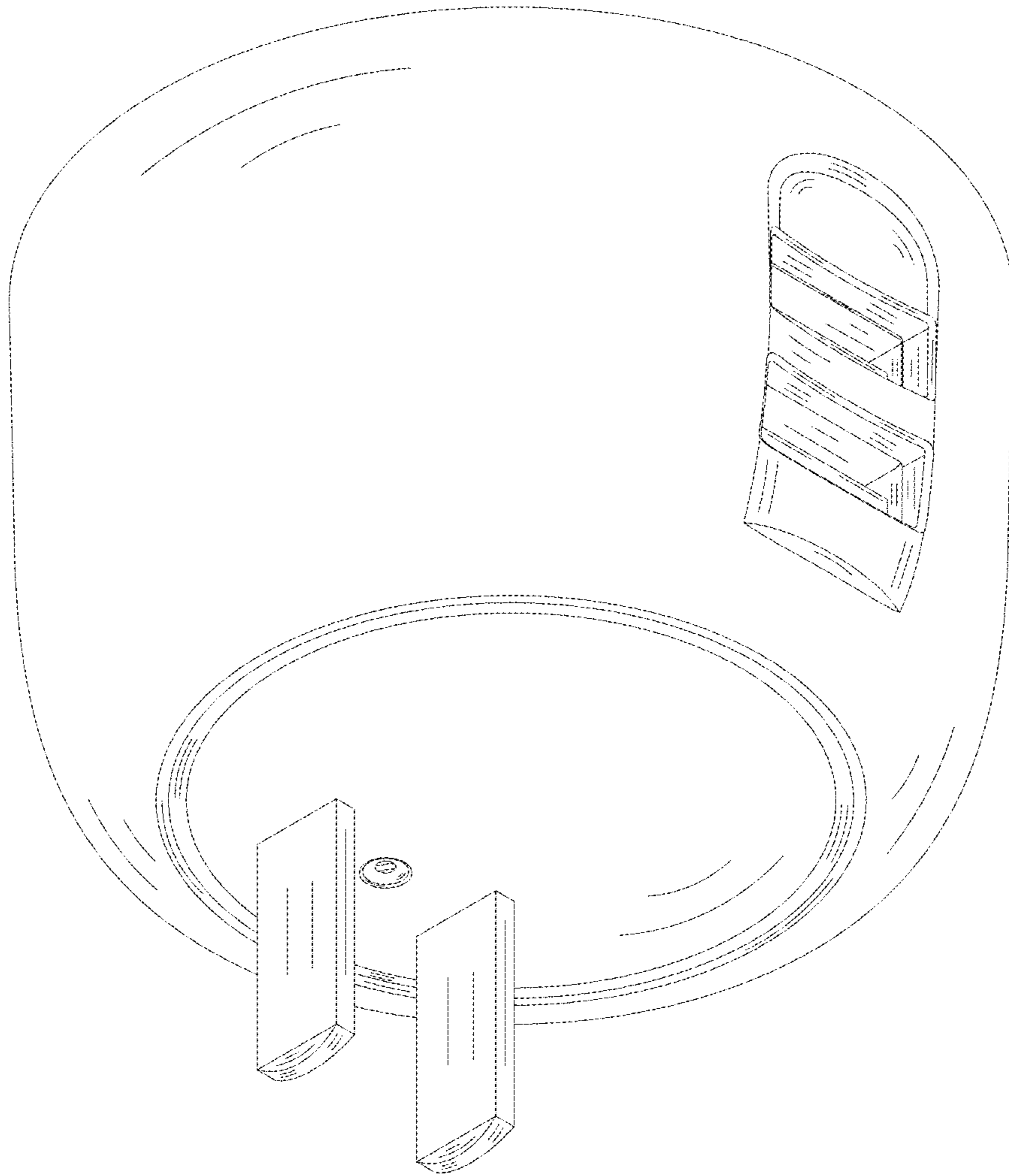


FIG. 8