



US00D885334S

(12) **United States Design Patent**
Covington et al.

(10) **Patent No.:** **US D885,334 S**

(45) **Date of Patent:** **** May 26, 2020**

(54) **TRIANGULAR WIRELESS CHARGER**

(71) Applicant: **Ampere LLC**, Gloucester, MA (US)

(72) Inventors: **Reid Covington**, Brooklyn, NY (US);
Chase Larson, Denver, CO (US);
Grant Shi, Shanghai (CN); **George Du**,
Shenzhen (CN); **Jared Leidich**, Denver,
CO (US)

(73) Assignee: **Ampere LLC**, Gloucester, MA (US)

(**) Term: **15 Years**

(21) Appl. No.: **29/677,952**

(22) Filed: **Jan. 24, 2019**

(51) **LOC (12) Cl.** **13-02**

(52) **U.S. Cl.**
USPC **D13/108**

(58) **Field of Classification Search**
USPC D13/103, 107-108, 110, 118, 184, 199;
D14/251, 253, 432, 434
CPC H02J 7/02; H02J 7/0013; H02J 7/0021;
H02J 7/0022; H02J 7/0026; H02J 7/0027;
H02J 7/0042; H02J 7/0044; H02J 7/0045;
H02J 7/0003; H02J 7/005; H02J 7/025;
H02J 50/00; H02J 50/10; H02J 50/12;
H02J 50/40; H02J 50/402; H02J 50/50;
H02J 50/80; H01M 10/44; H01M 10/441
See application file for complete search history.

(56) **References Cited**

U.S. PATENT DOCUMENTS

D697,474 S * 1/2014 Manneschi D13/108
D723,459 S * 3/2015 Dang D13/108

D723,464 S * 3/2015 Dasbach D13/110
D729,163 S * 5/2015 Meyer D13/107
D793,958 S * 8/2017 Rautiainen D13/108
D808,902 S * 1/2018 Qiu D13/108
D813,806 S * 3/2018 Ito D13/108
D837,146 S * 1/2019 Kong D13/108
D863,219 S * 10/2019 Chen D13/108
D872,690 S * 1/2020 Williams D13/108
D872,691 S * 1/2020 Liao D13/108
D873,213 S * 1/2020 Wu D13/108
D873,214 S * 1/2020 Wu D13/108
D873,215 S * 1/2020 Wu D13/108
2018/0323636 A1 * 11/2018 Makwinski H02J 7/025

* cited by examiner

Primary Examiner — Rosemary K Tarcza

(74) *Attorney, Agent, or Firm* — Holzer Patel Drennan

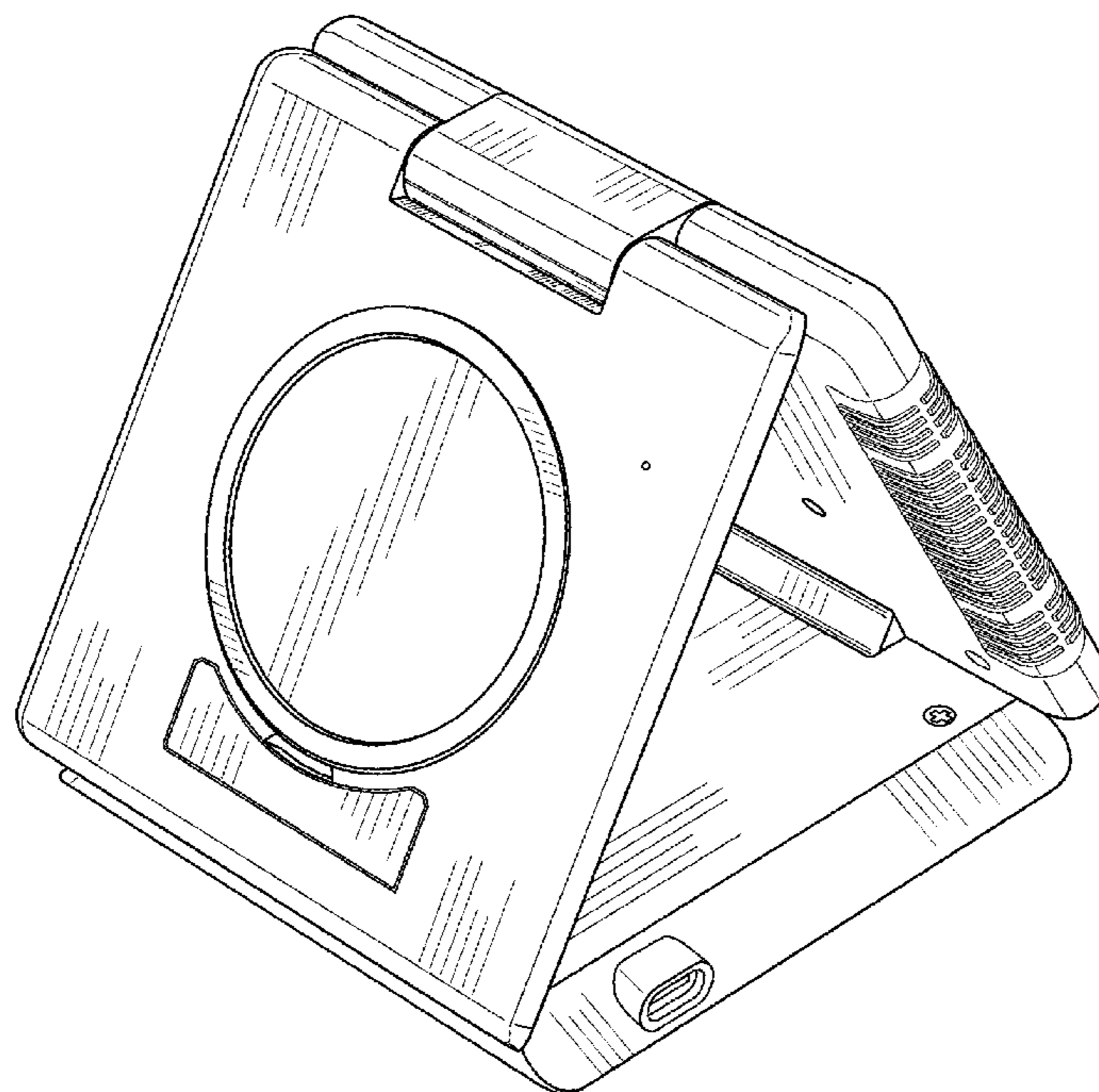
(57) **CLAIM**

The ornamental design for a triangular wireless charger, as shown and described.

DESCRIPTION

FIG. 1 is a top perspective view.
FIG. 2 is a front view.
FIG. 3 is a back view.
FIG. 4 is a left side view.
FIG. 5 is a right view.
FIG. 6 is a top view
FIG. 7 is a bottom view; and,
FIG. 8 is a bottom perspective view.

1 Claim, 8 Drawing Sheets



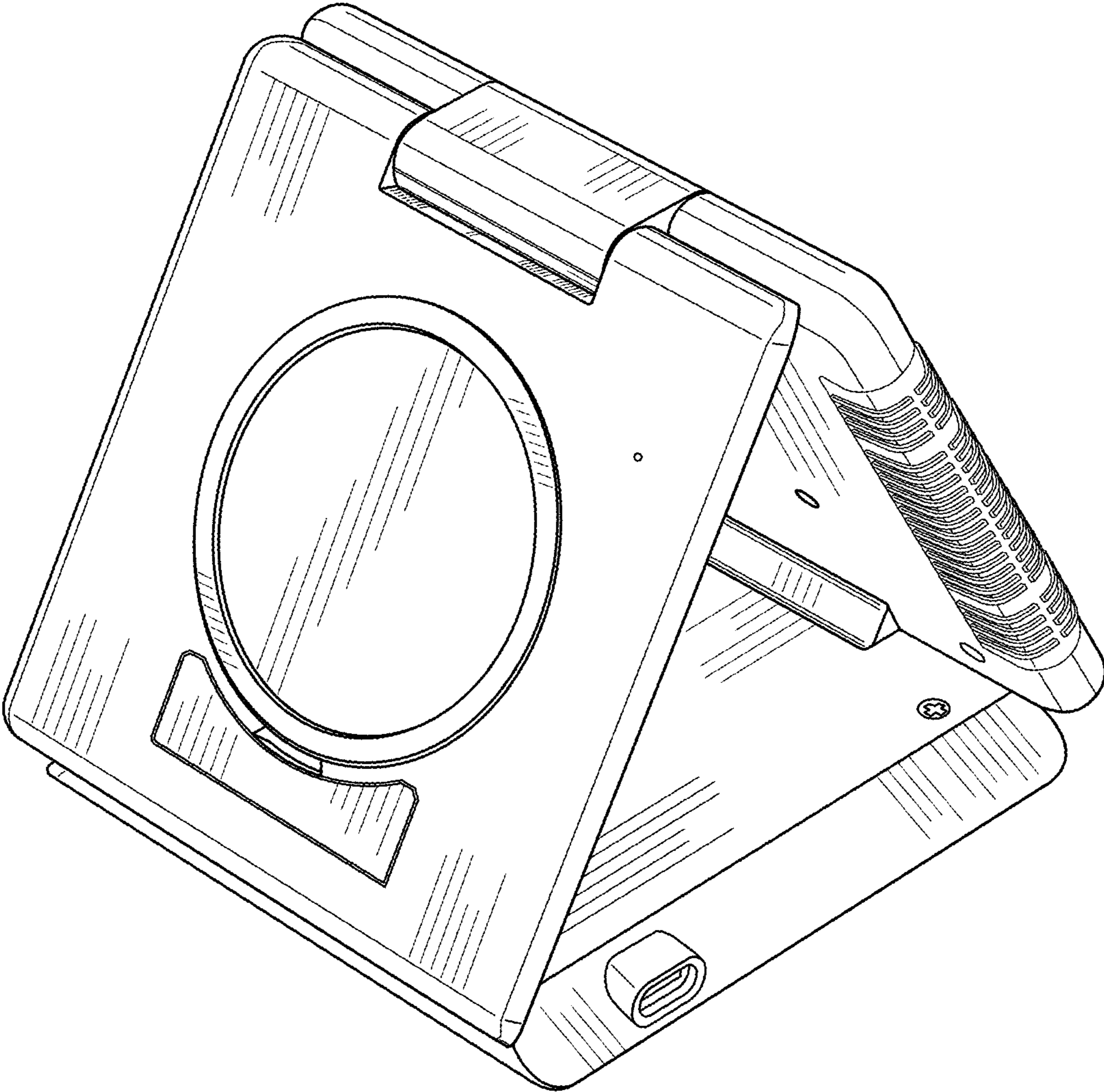


FIG. 1

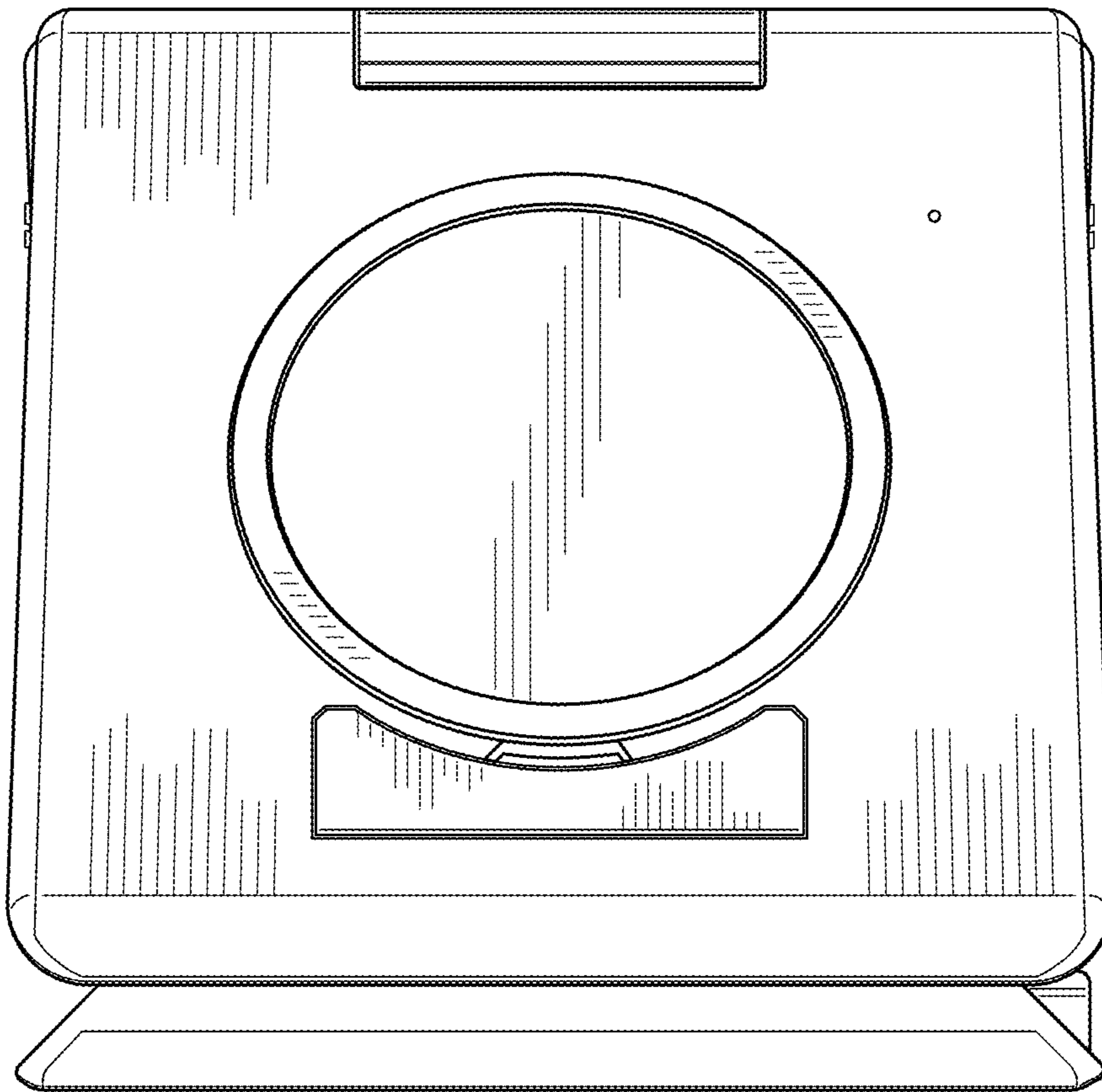


FIG. 2

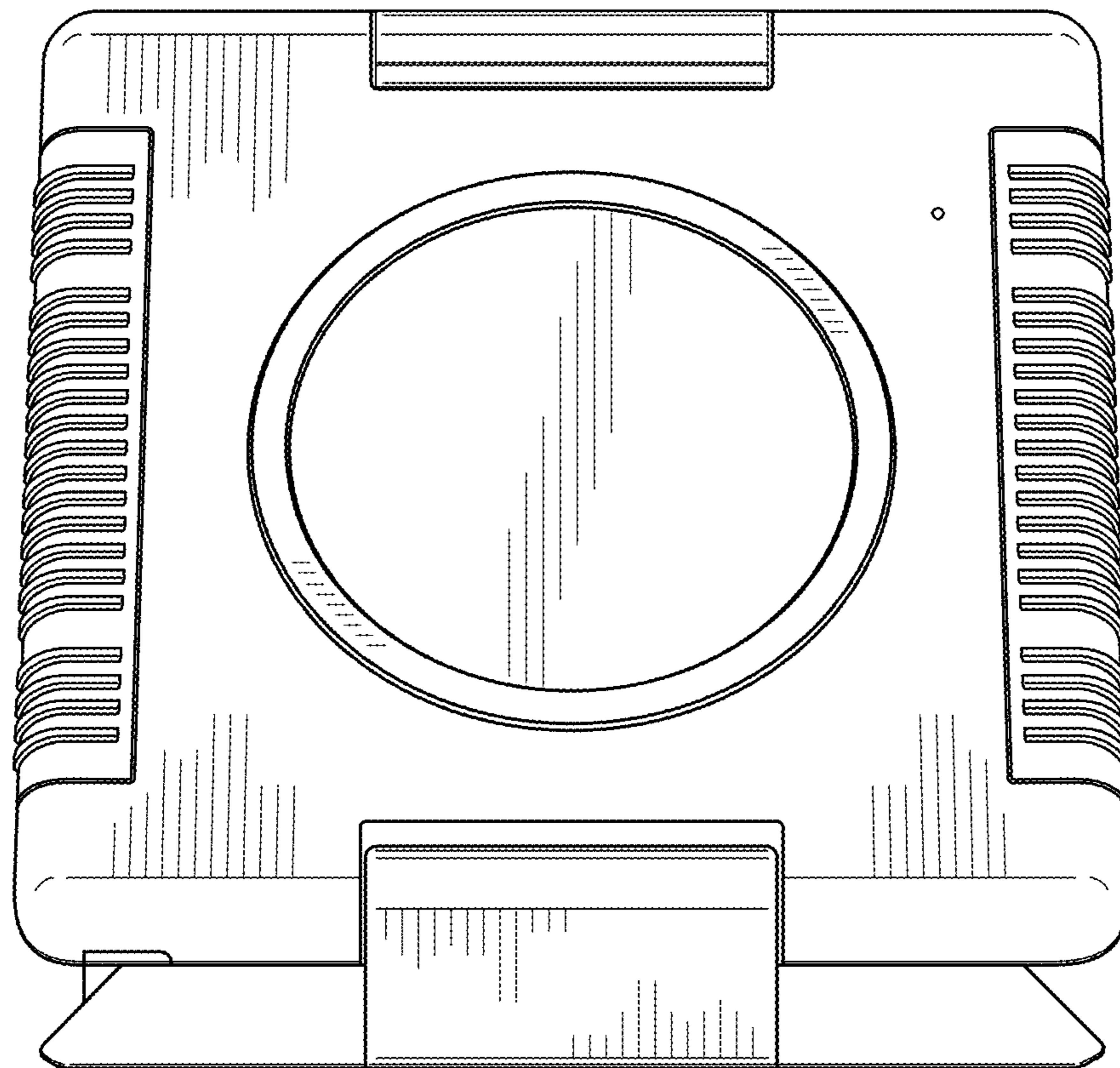


FIG. 3

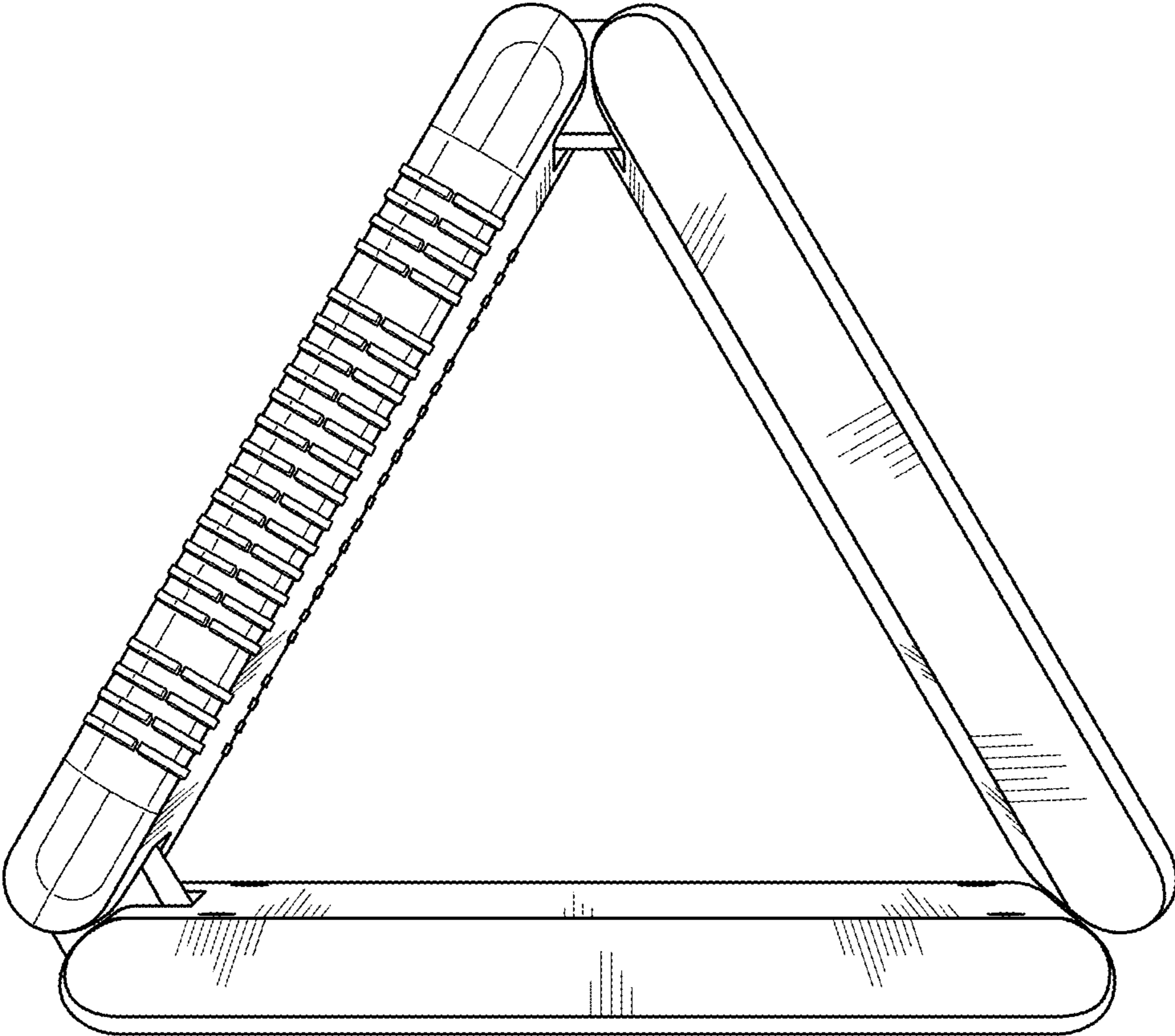


FIG. 4

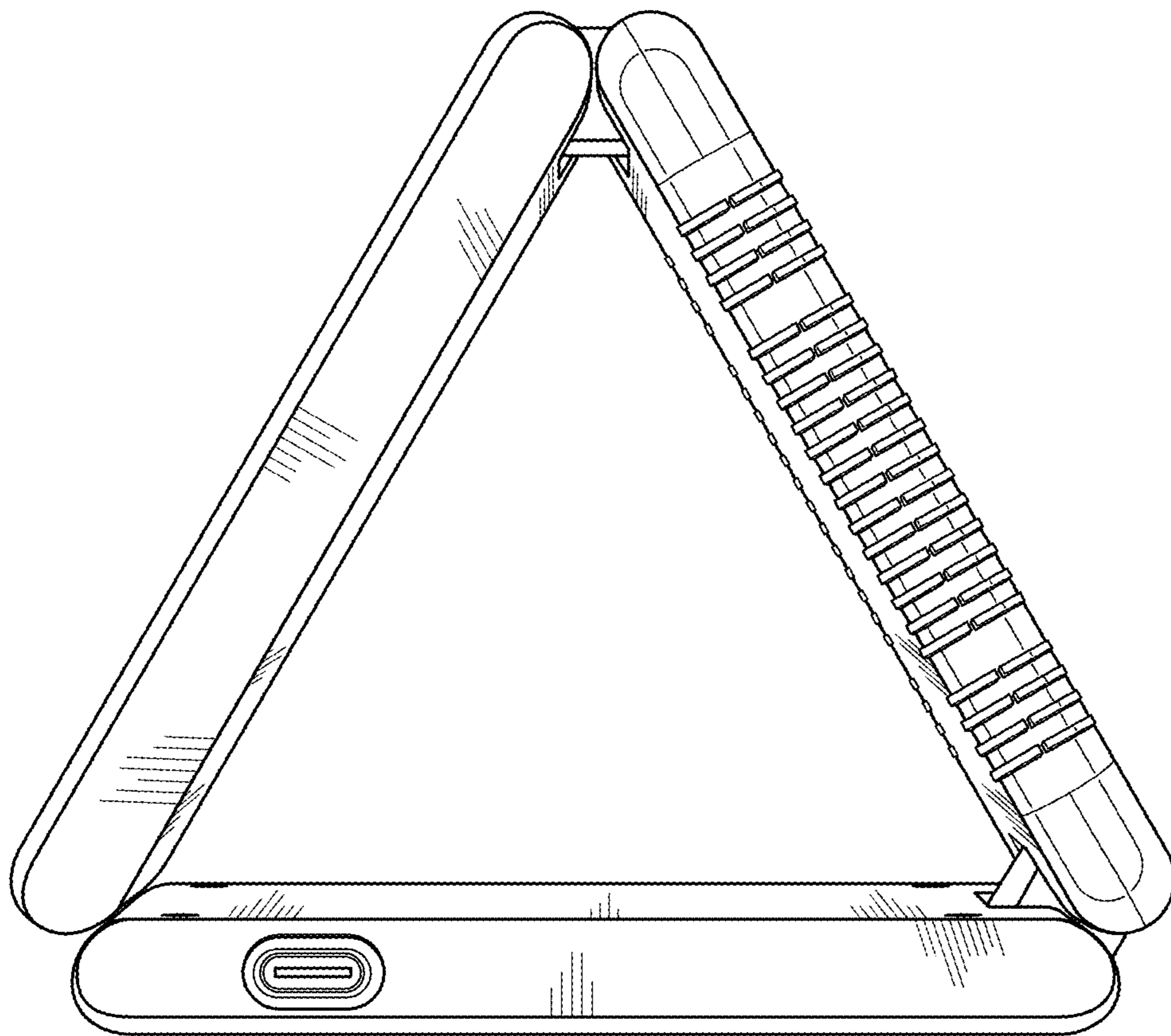


FIG. 5

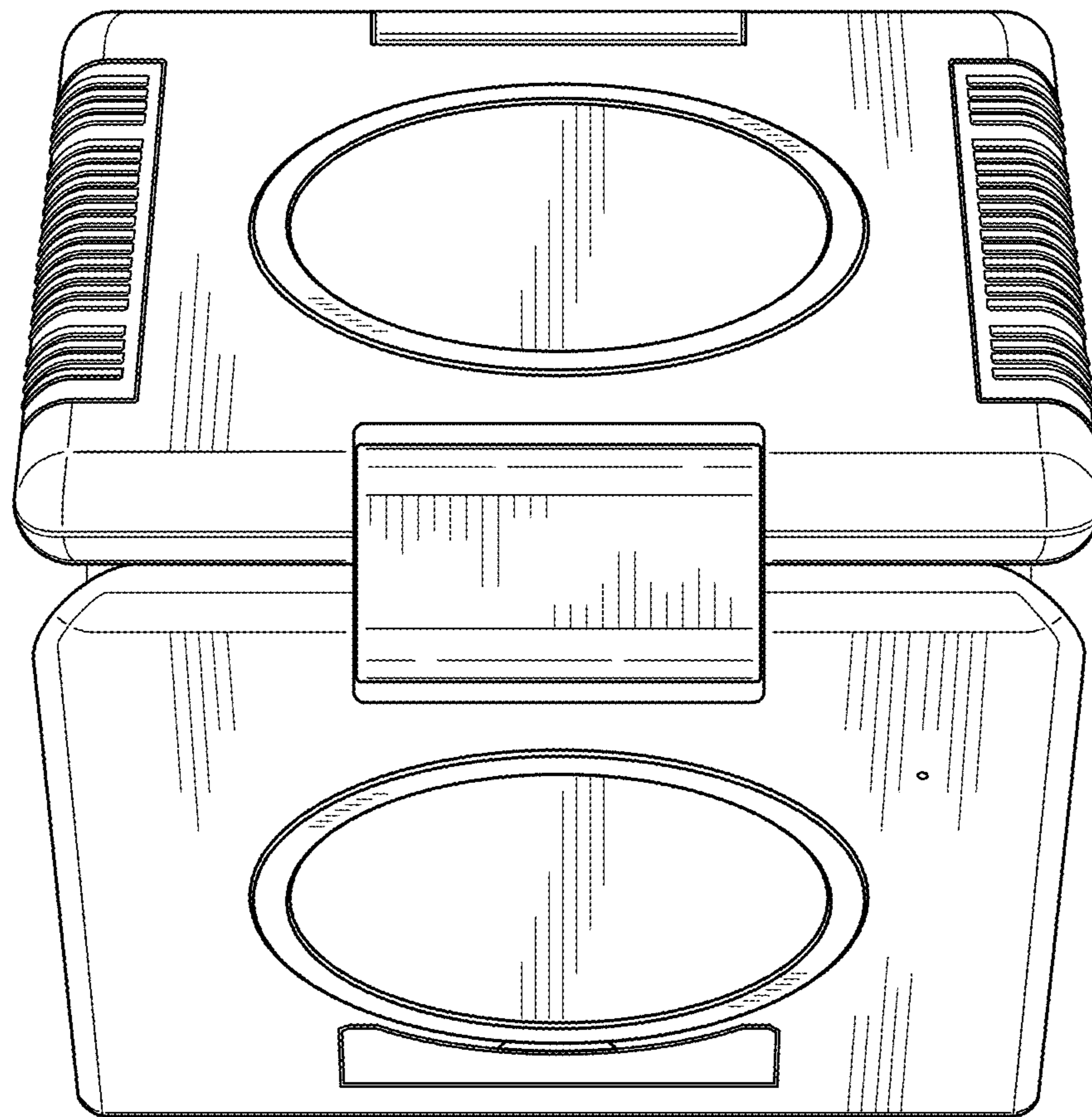


FIG. 6

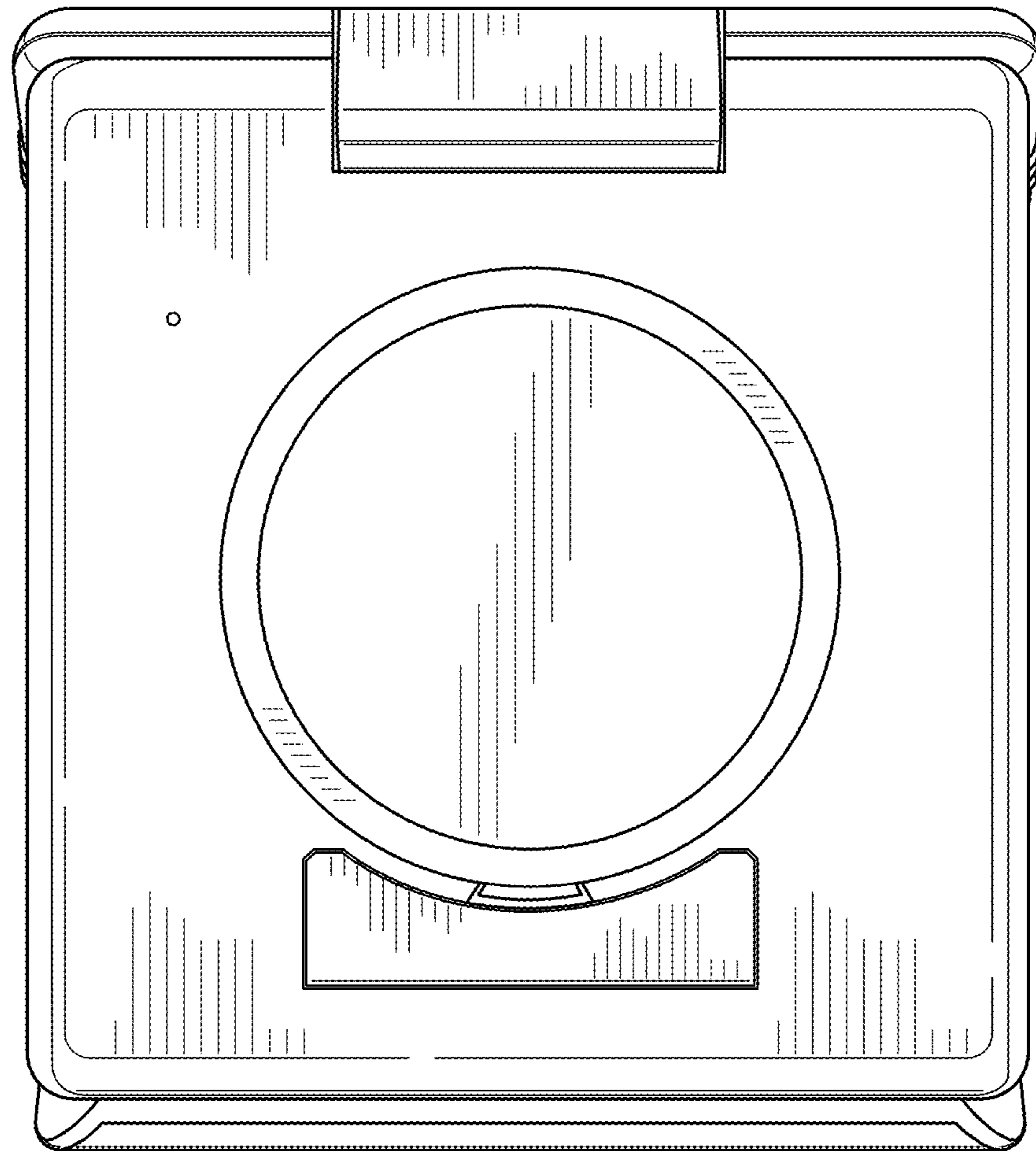


FIG. 7

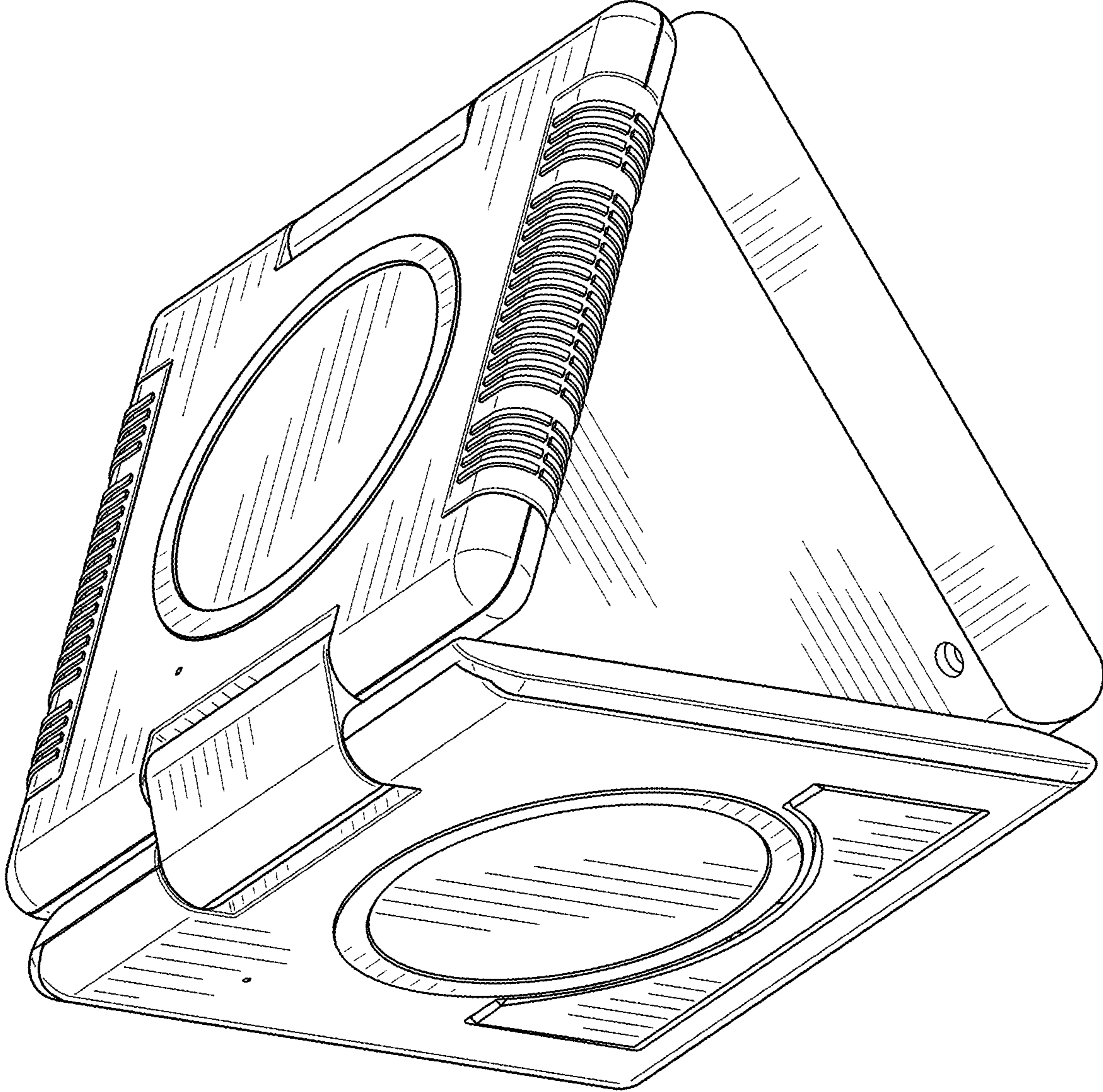


FIG. 8