



US00D885333S

(12) **United States Design Patent**
von Badinski et al.

(10) **Patent No.:** **US D885,333 S**

(45) **Date of Patent:** **** May 26, 2020**

(54) **CHARGER**

(71) Applicant: **Motiv Inc.**, San Francisco, CA (US)

(72) Inventors: **Curt C. von Badinski**, Burbank, CA (US); **Yu-Kuang Hou**, Taipei (TW); **Hsiang-Yin Cheng**, New Taipei (TW); **Han-Pin Chien**, Taoyuan (TW)

(73) Assignee: **Motiv Inc.**, San Francisco, CA (US)

(**) Term: **15 Years**

(21) Appl. No.: **29/665,935**

(22) Filed: **Oct. 9, 2018**

(51) **LOC (12) Cl.** **13-02**

(52) **U.S. Cl.**
USPC **D13/108**

(58) **Field of Classification Search**
USPC D13/107-108, 110, 118, 184; D14/251, D14/253, 432, 434
CPC .. H02J 50/00; H02J 50/10; H02J 50/12; H02J 50/50; H02J 50/80; H02J 7/025; H02J 5/00; H02J 5/005; H02J 7/0042; H02J 7/0044; H02J 7/0045; H02J 7/00032; H02J 7/00034

See application file for complete search history.

(56) **References Cited**

U.S. PATENT DOCUMENTS

D538,223 S * 3/2007 Yang D13/107
7,291,041 B1 * 11/2007 Yang H02J 7/0042
320/107
D686,987 S * 7/2013 Vanstone D13/108

D736,148 S * 8/2015 Liu D13/108
D736,149 S * 8/2015 Liu D13/108
D736,150 S * 8/2015 Liu D13/108
D736,702 S * 8/2015 Ovadia D13/108
D744,419 S * 12/2015 Bowen D13/108
D749,510 S * 2/2016 Liu D13/108
D810,016 S * 2/2018 von Badinski D13/108
D816,025 S * 4/2018 Thompson D13/108
D821,309 S * 6/2018 Barnard D13/108
D830,298 S * 10/2018 Bailey D13/108
D836,834 S * 12/2018 Cividi D27/194
D868,690 S * 12/2019 Xie D13/108
2007/0229025 A1 * 10/2007 Tsai H01R 13/2442
320/111

* cited by examiner

Primary Examiner — Rosemary K Tarcza

(57) **CLAIM**

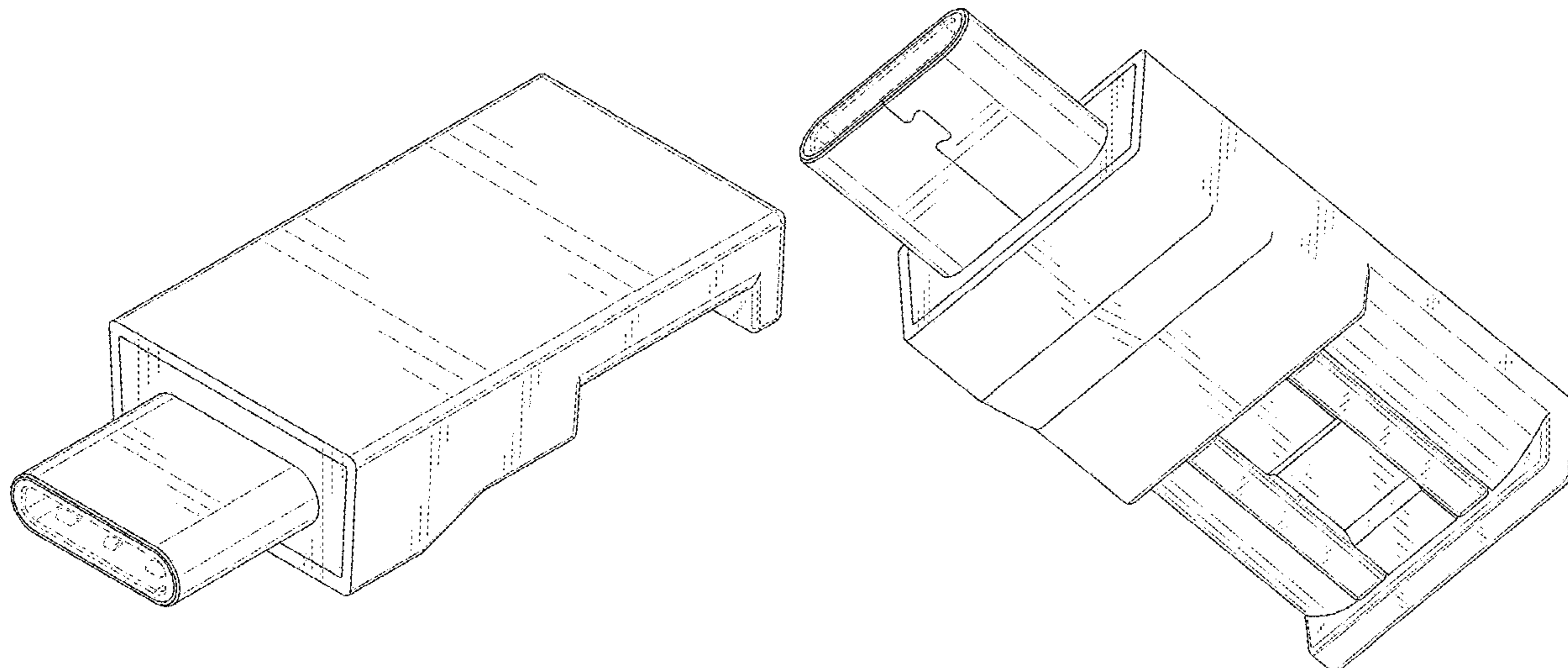
The ornamental design for a charger, as shown and described.

DESCRIPTION

FIG. 1 is a perspective view of a charger showing our new design;
FIG. 2 is another perspective view thereof;
FIG. 3 is still another perspective view thereof;
FIG. 4 is a front view thereof;
FIG. 5 is a rear view thereof;
FIG. 6 is a left side view thereof;
FIG. 7 is a right side view thereof;
FIG. 8 is a top view thereof; and,
FIG. 9 is a bottom view thereof.

The dashed broken lines depict portions of the charger that form no part of the claimed design.

1 Claim, 7 Drawing Sheets



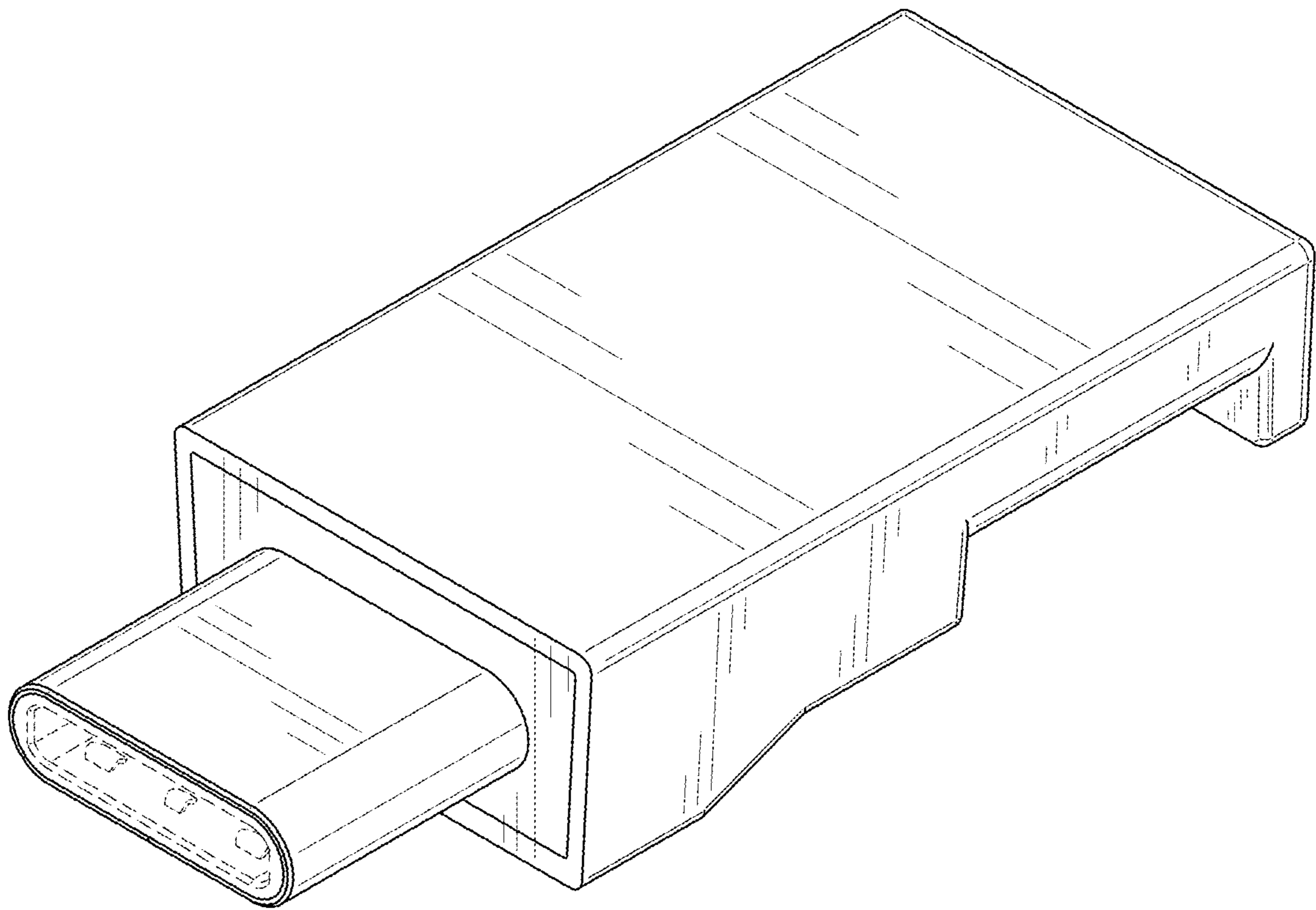


FIG. 1

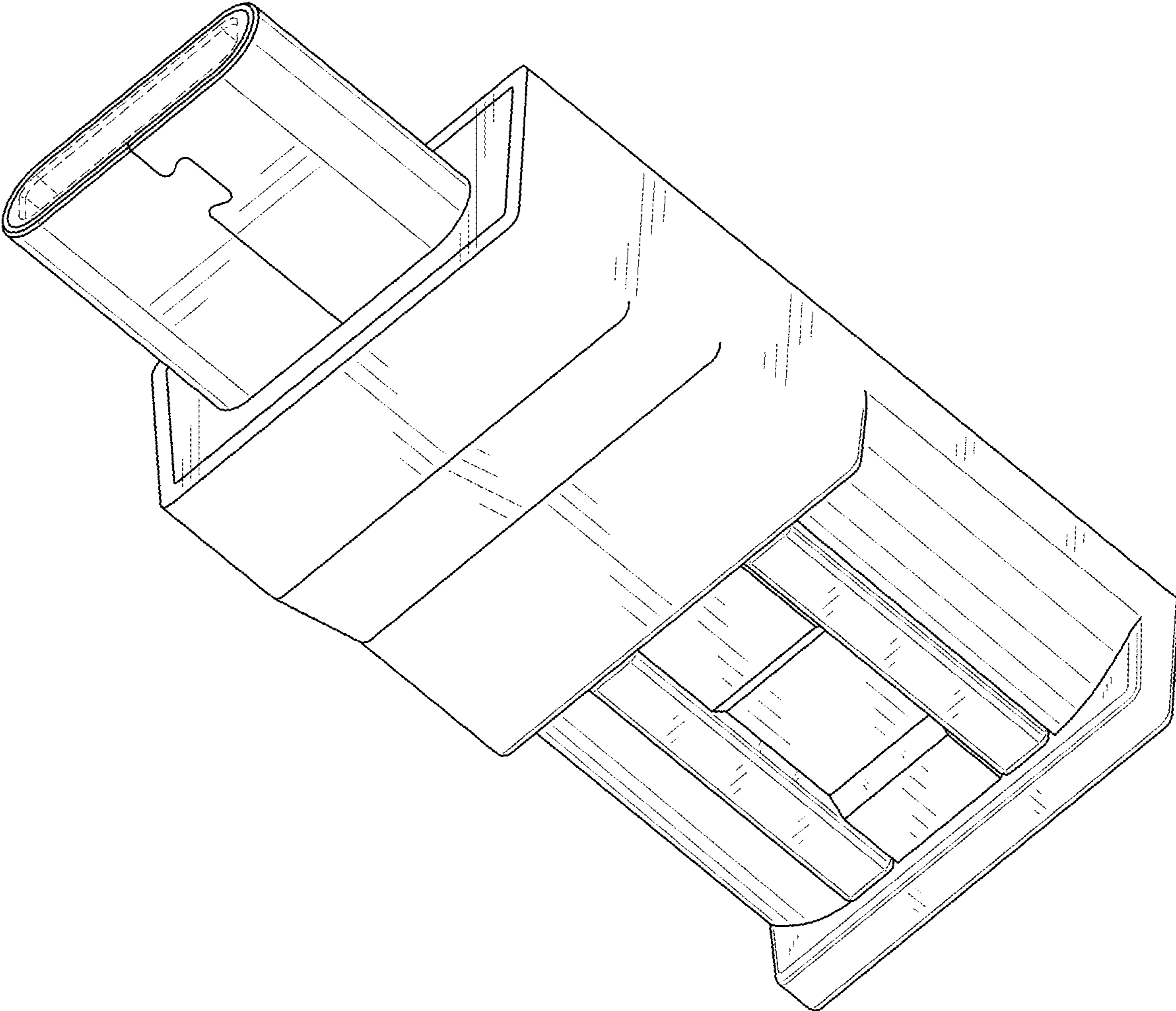


FIG. 2

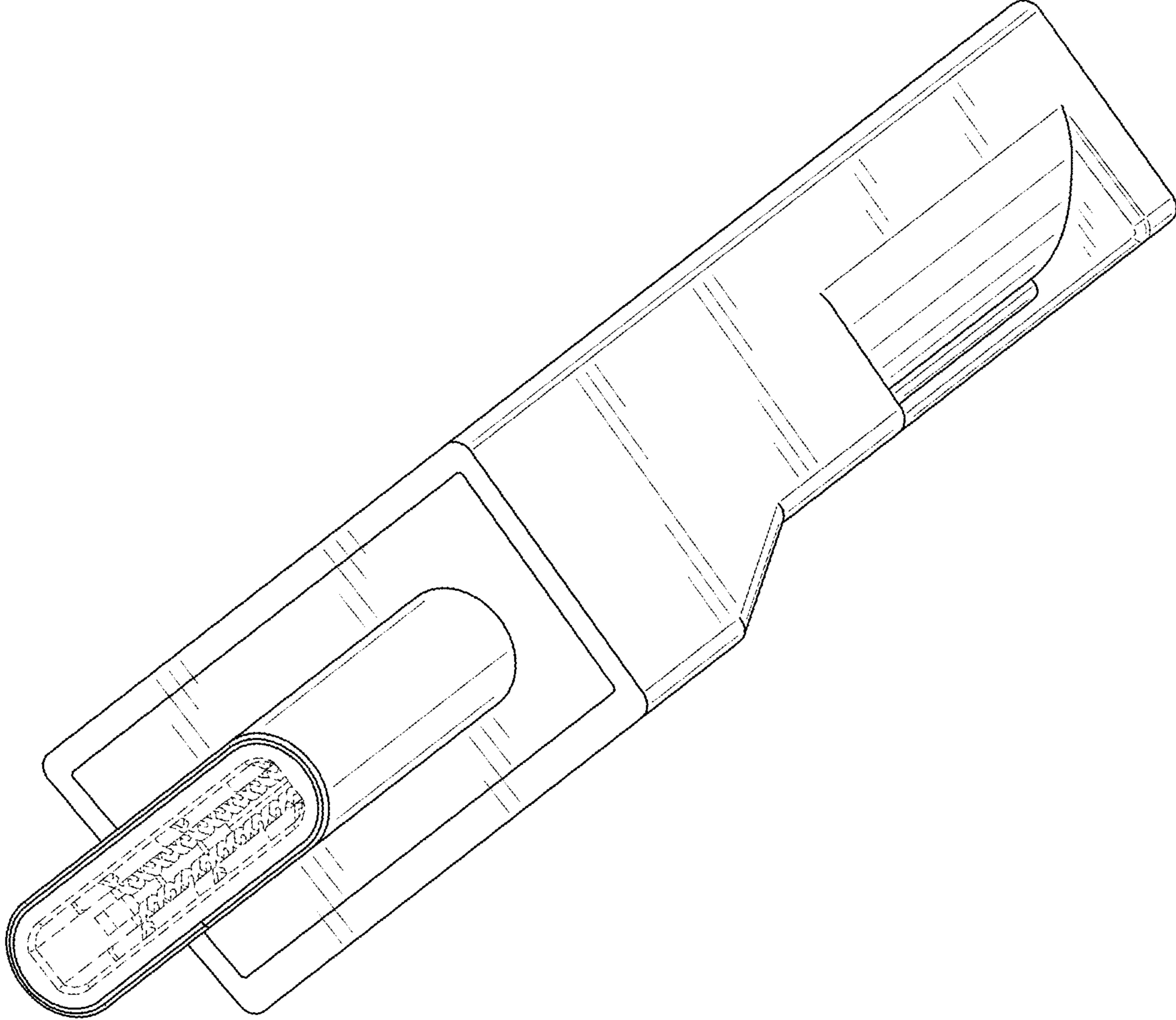


FIG. 3

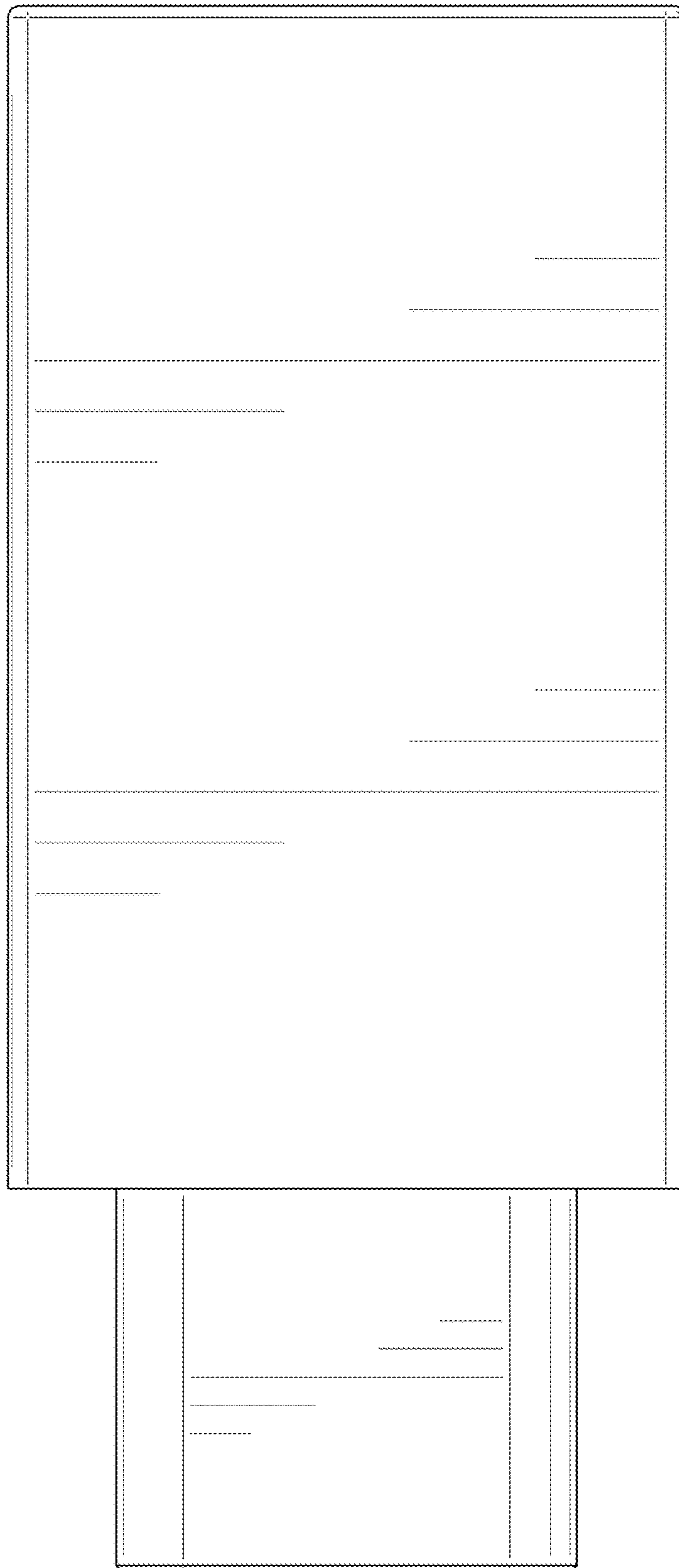


FIG. 4

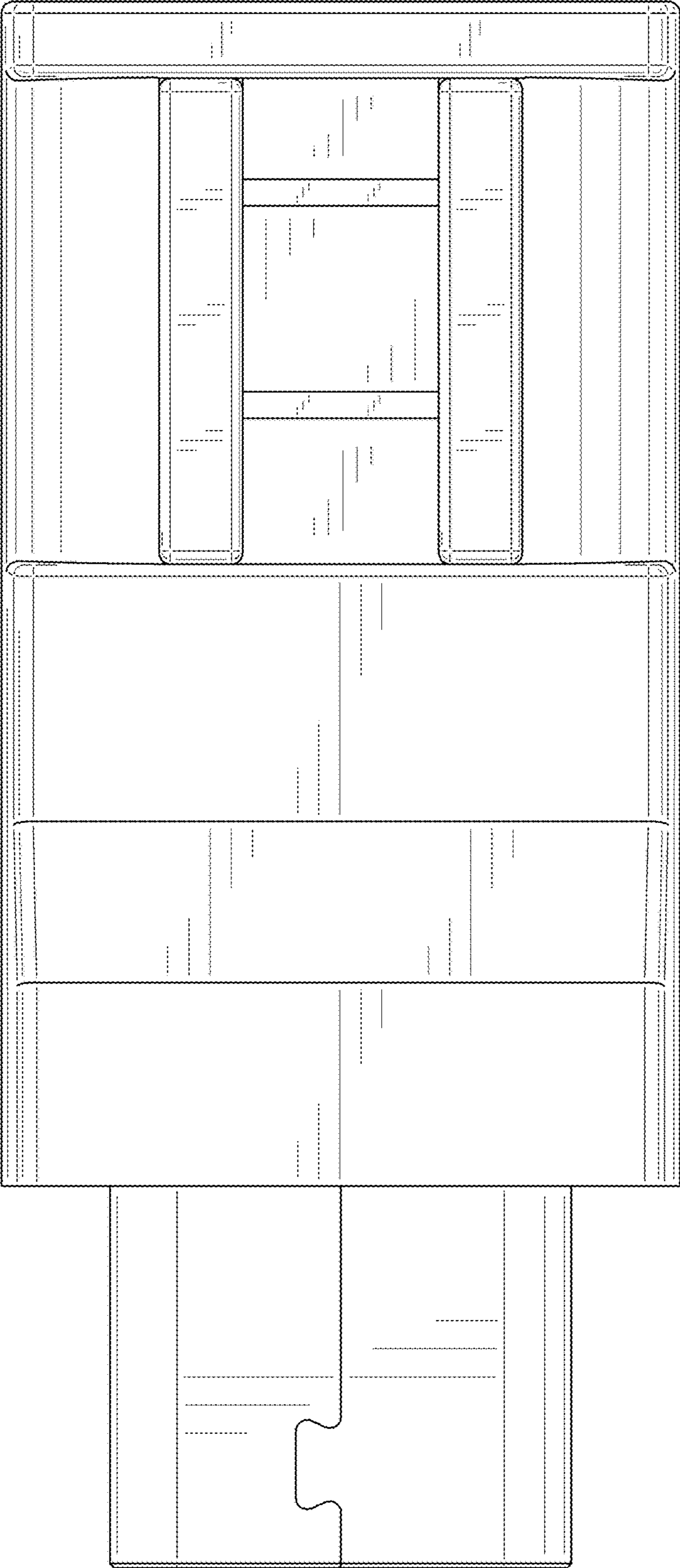


FIG. 5

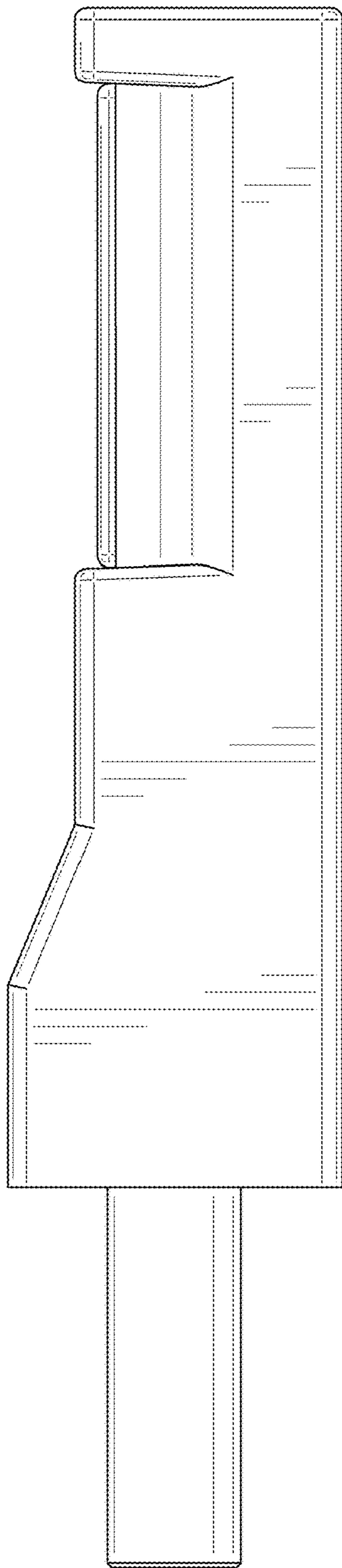


FIG. 6

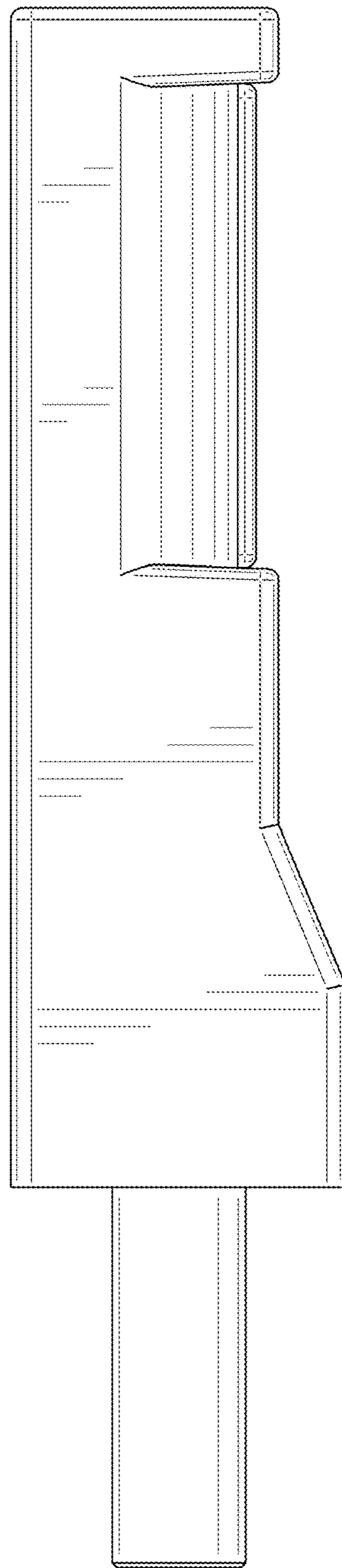


FIG. 7

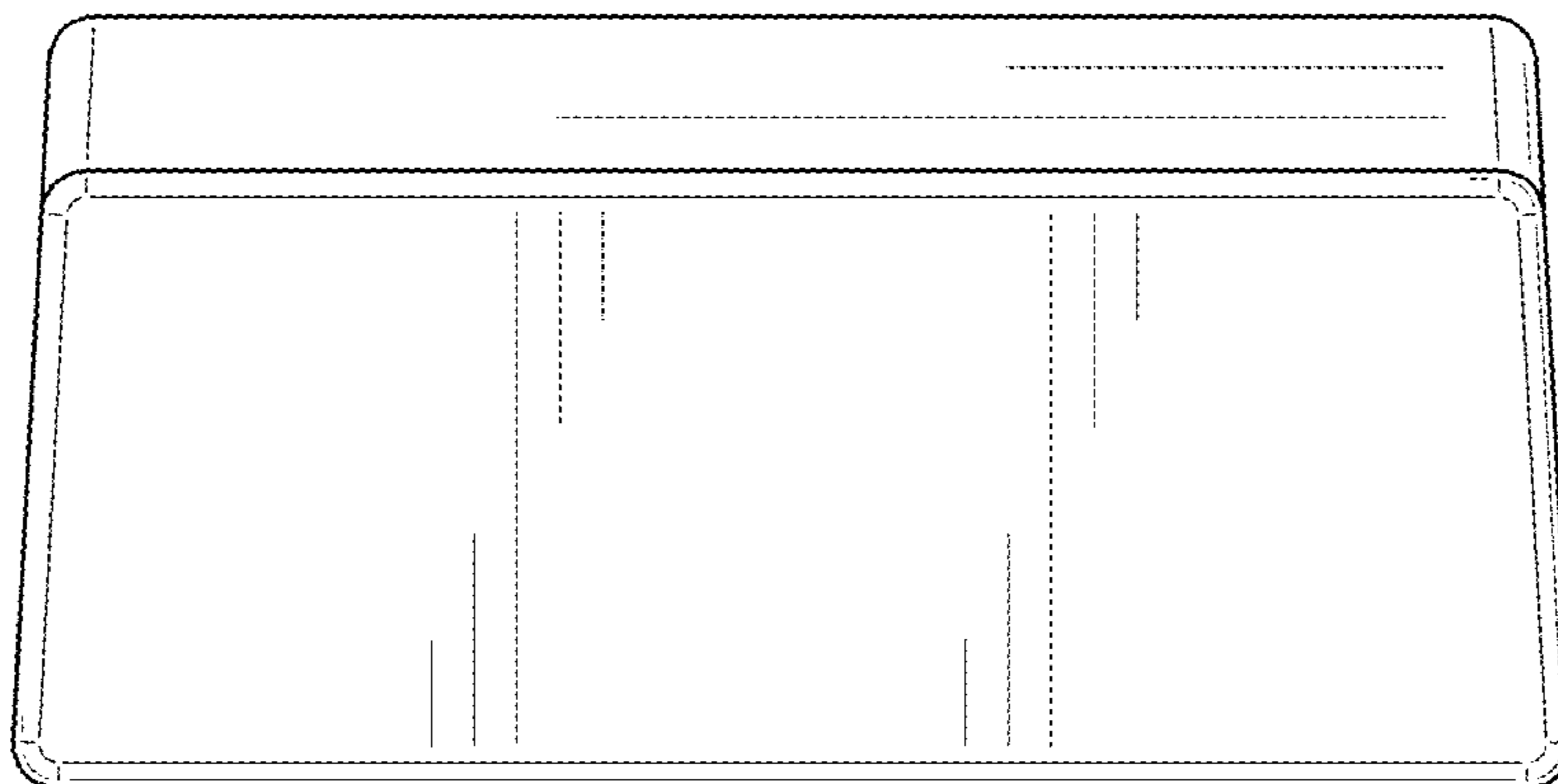


FIG. 8

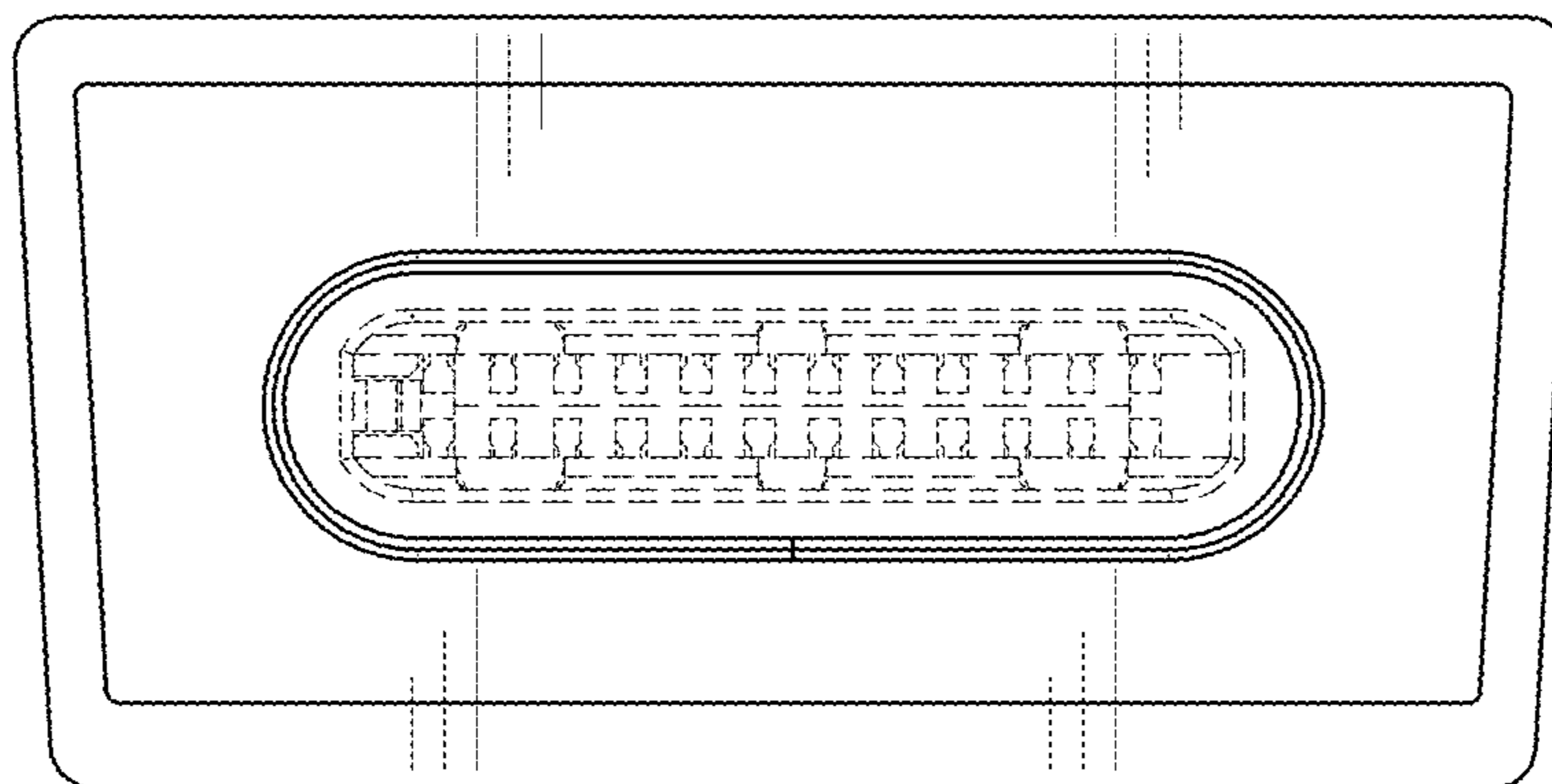


FIG. 9