



US00D885326S

(12) **United States Design Patent**  
**Zhang et al.**

(10) **Patent No.:** **US D885,326 S**

(45) **Date of Patent:** **\*\* May 26, 2020**

(54) **BATTERY BOX**

(71) Applicants: **Xiaofeng Zhang**, Zhejiang (CN);  
**Fengcheng Kao**, Zhejiang (CN)

(72) Inventors: **Xiaofeng Zhang**, Zhejiang (CN);  
**Fengcheng Kao**, Zhejiang (CN)

(\*\*) Term: **15 Years**

(21) Appl. No.: **29/629,878**

(22) Filed: **Dec. 15, 2017**

(30) **Foreign Application Priority Data**

Jun. 20, 2017 (CN) ..... 2017 3 0255838

(51) **LOC (12) Cl.** ..... **13-02**

(52) **U.S. Cl.**  
USPC ..... **D13/103**

(58) **Field of Classification Search**

USPC ..... D13/103, 107, 108, 110, 123, 133,  
D13/137.1-137.4, 138.1-138.2,  
D13/139.1-139.8, 152, 154, 184, 118,  
D13/119, 199

CPC ..... H01R 25/00; H01R 25/006; H01R 13/00;  
H01R 13/04; H01R 13/10; H01R  
13/6666; H01R 13/6675; H01R 13/62;  
H01R 13/66; H01R 9/00; H01R 11/00;  
H01H 2207/00; H01H 2207/022; H01H  
2203/00; H02J 7/00; H02J 7/0003; H02J  
7/0011; H02J 7/0013; H02J 7/0054; H02J  
7/0055; H02J 7/0057; H01M 2/02; H01M  
2/022; H01M 2/0202; H01M 2/0207;  
H01M 2/0212; H01M 2220/10; H01M  
2220/20; Y02E 60/12; Y02E 60/122;  
Y02E 60/124; Y02E 60/50; H02G 3/285

See application file for complete search history.

(56) **References Cited**

**U.S. PATENT DOCUMENTS**

D312,244 S \* 11/1990 Collins ..... D13/152  
D499,070 S \* 11/2004 Lavington ..... D13/119

D517,988 S \* 3/2006 Ihde ..... D13/103  
D519,394 S \* 4/2006 DiPasquale ..... D10/106.1  
D527,296 S \* 8/2006 Concari ..... D10/106.1  
D530,912 S \* 10/2006 Wikle ..... D3/281  
D572,480 S \* 7/2008 Buck ..... D3/294  
D599,112 S \* 9/2009 Wenchel ..... D3/294  
D605,403 S \* 12/2009 Santamarina ..... D3/294  
D606,492 S \* 12/2009 Steinfels ..... D13/119  
D608,094 S \* 1/2010 Concari ..... D3/282  
D624,317 S \* 9/2010 Wenchel ..... D3/294  
D759,590 S \* 6/2016 Wang ..... D13/119  
D821,968 S \* 7/2018 Zhao ..... D13/103  
D822,594 S \* 7/2018 Corvese ..... D13/103  
D823,788 S \* 7/2018 Wei ..... D13/103  
D825,464 S \* 8/2018 Xie ..... D13/119  
D825,465 S \* 8/2018 Deng ..... D13/119  
D853,320 S \* 7/2019 Guo ..... D13/103

\* cited by examiner

*Primary Examiner* — Rosemary K Tarcza

*Assistant Examiner* — Christy M Nemeth

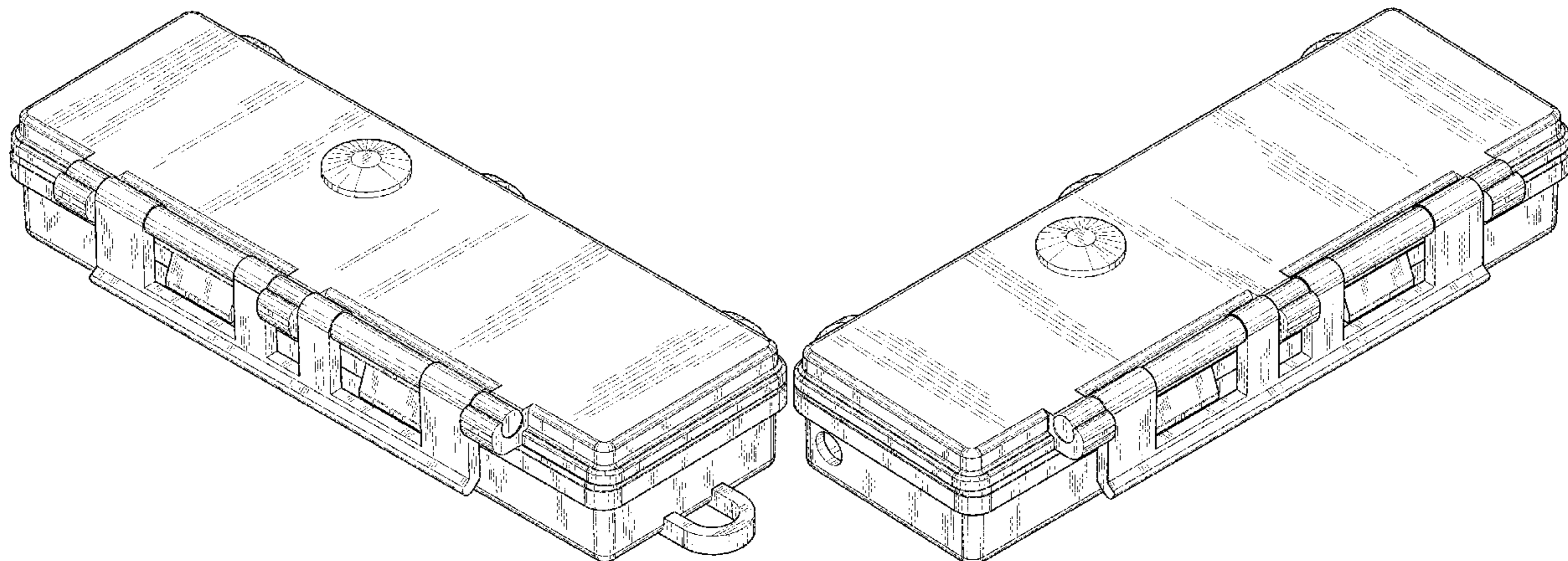
(57) **CLAIM**

The ornamental design for battery box, as shown and described.

**DESCRIPTION**

FIG. 1 is a front view of a battery box showing our design.  
FIG. 2 is a rear view thereof.  
FIG. 3 is a left side view thereof.  
FIG. 4 is a right side view thereof.  
FIG. 5 is a top plan view thereof.  
FIG. 6 is a bottom plan view thereof.  
FIG. 7 is a perspective view thereof; and,  
FIG. 8 is another perspective view thereof.  
The broken lines shown in the figures are included for the purpose of illustrating portions of the battery box and form no part of the claimed design.

**1 Claim, 8 Drawing Sheets**



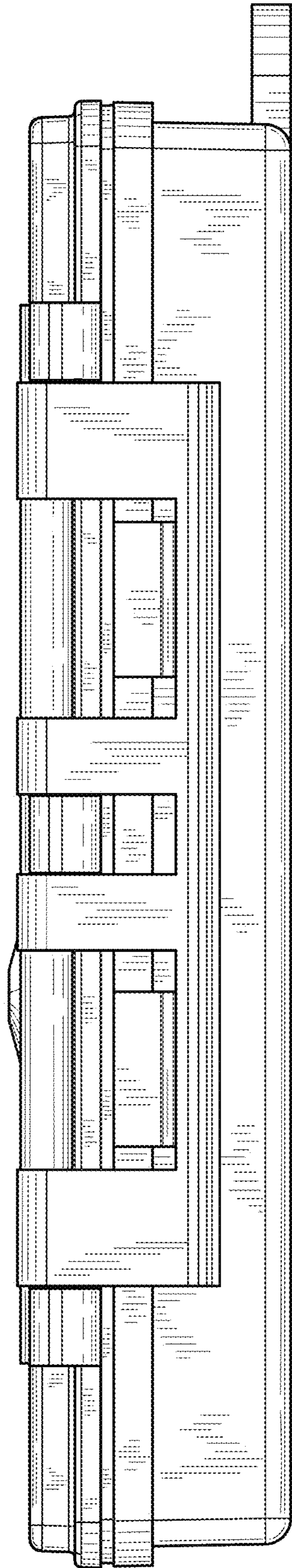


Fig. 1

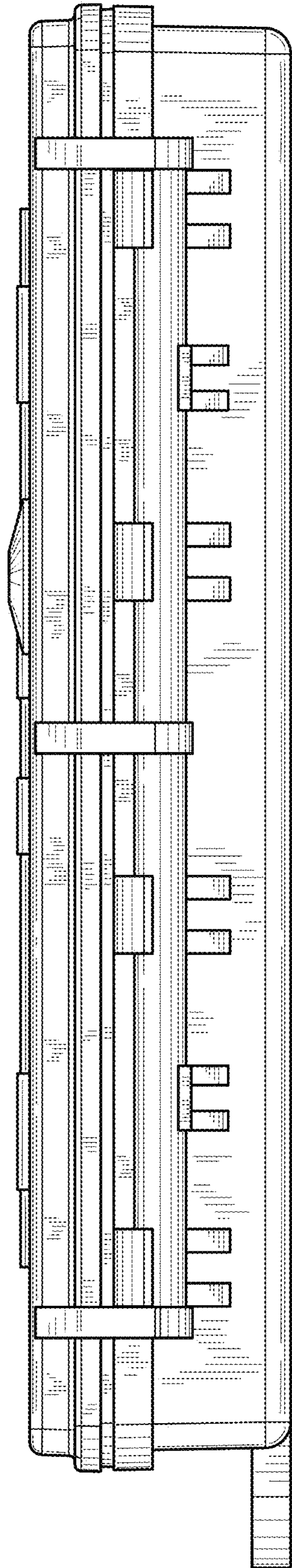


Fig. 2



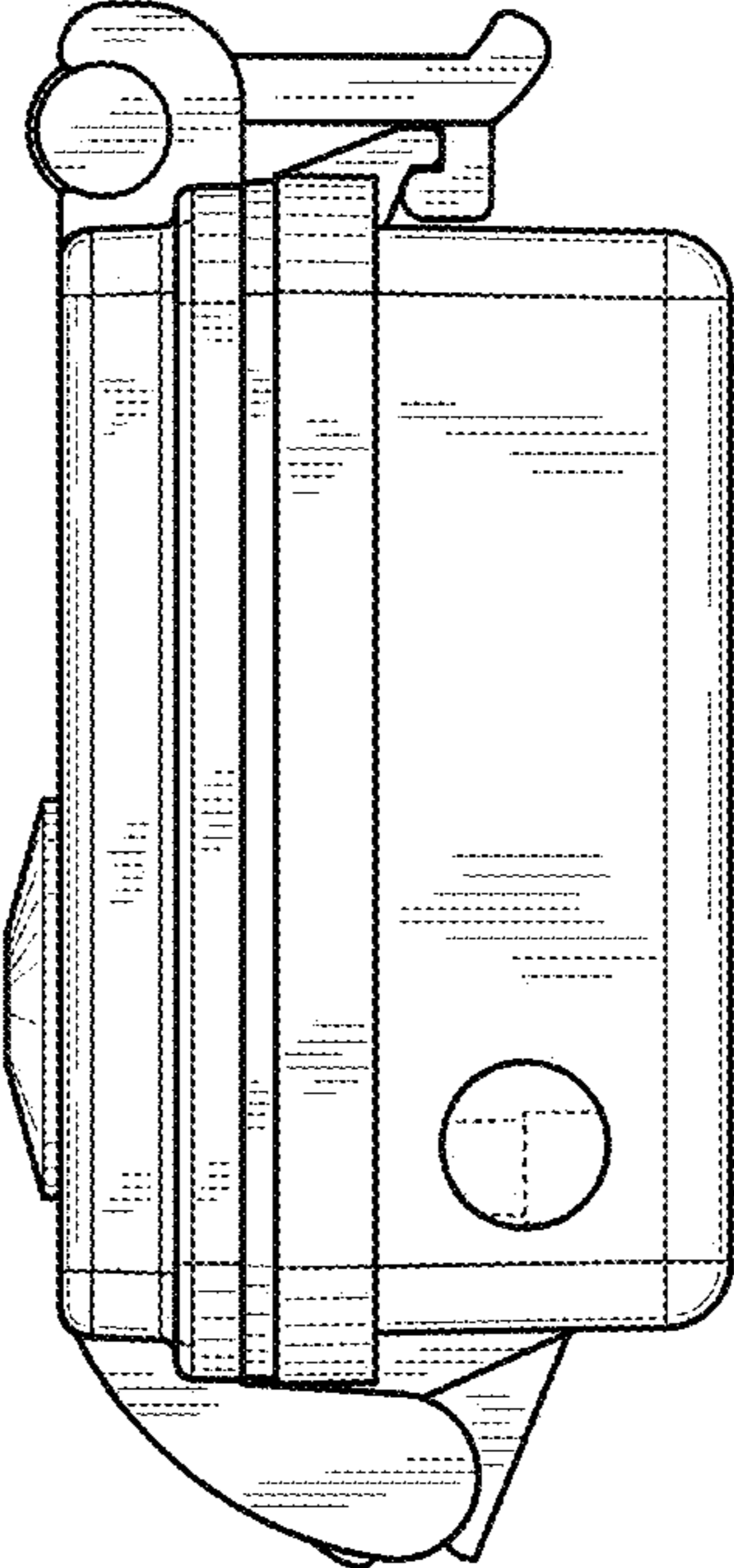


Fig. 3

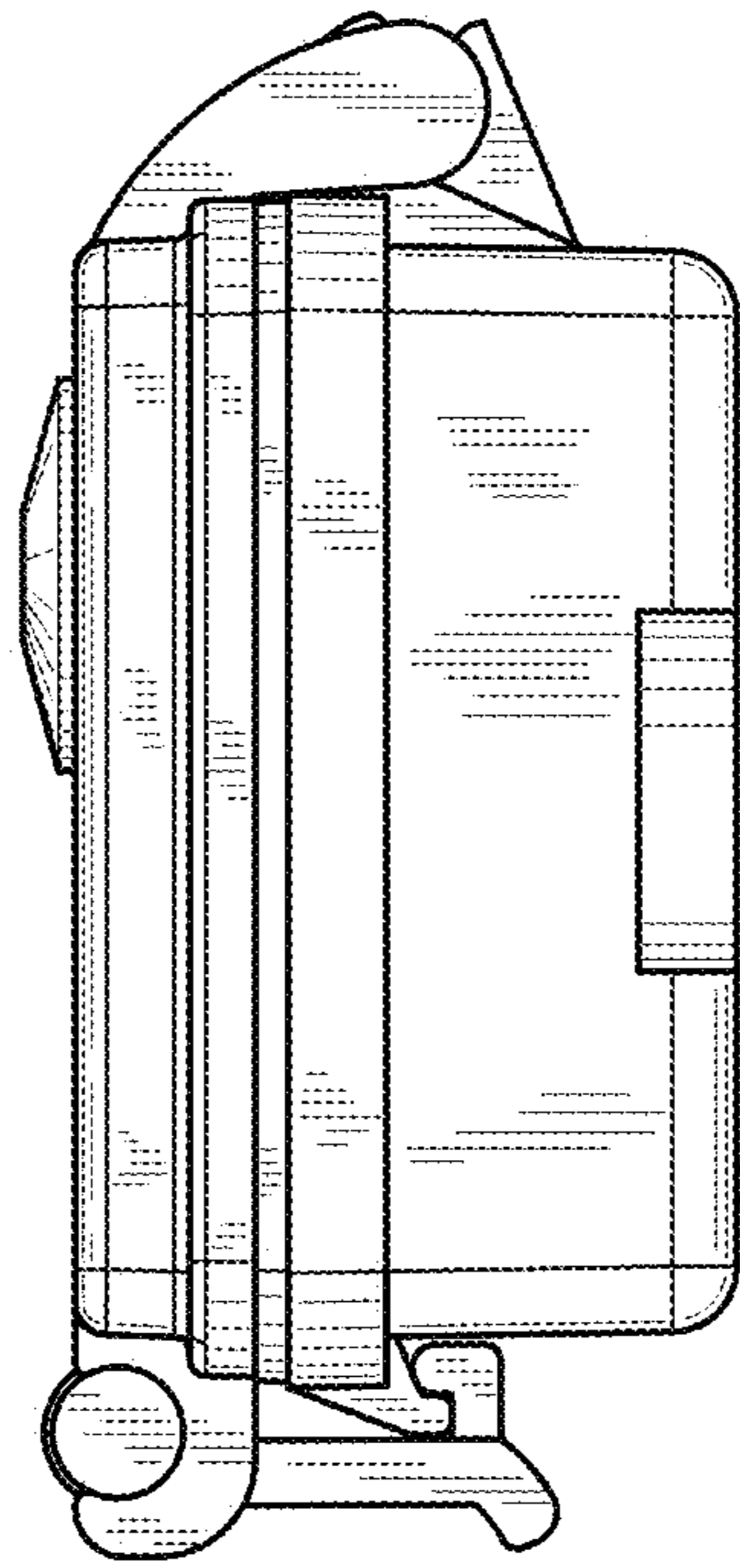


Fig. 4

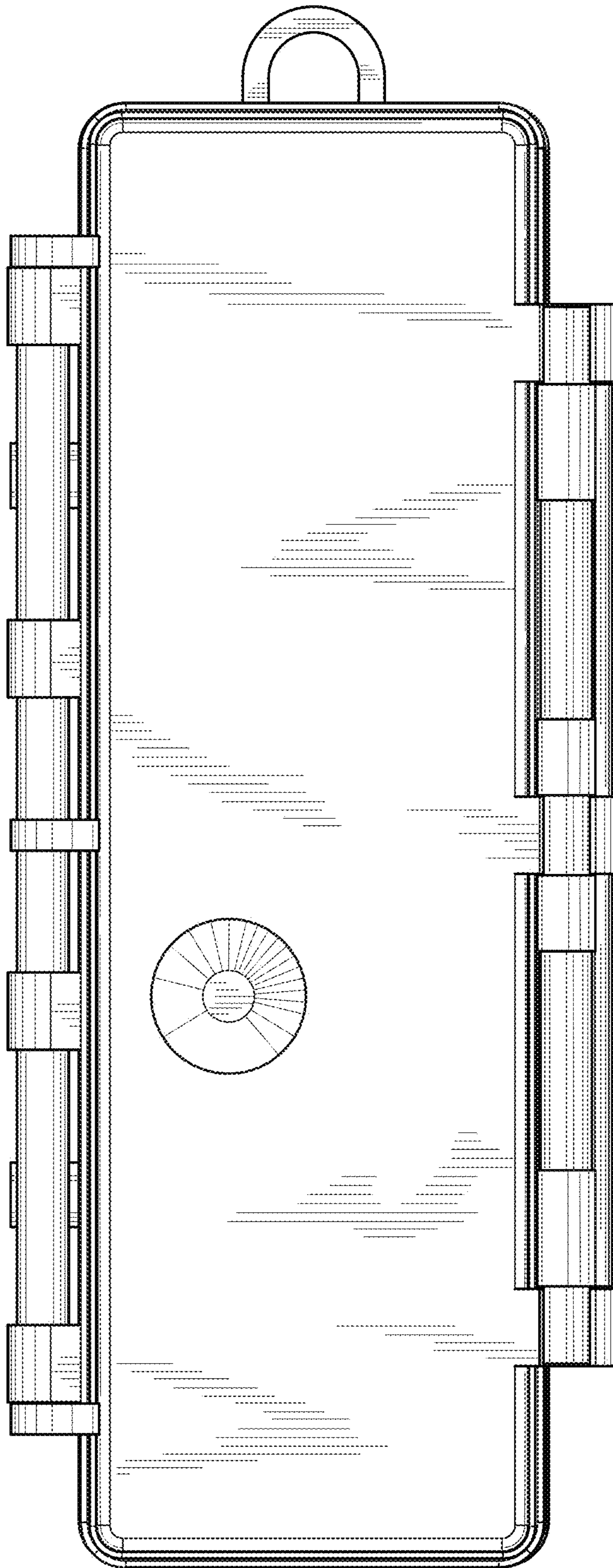


Fig. 5

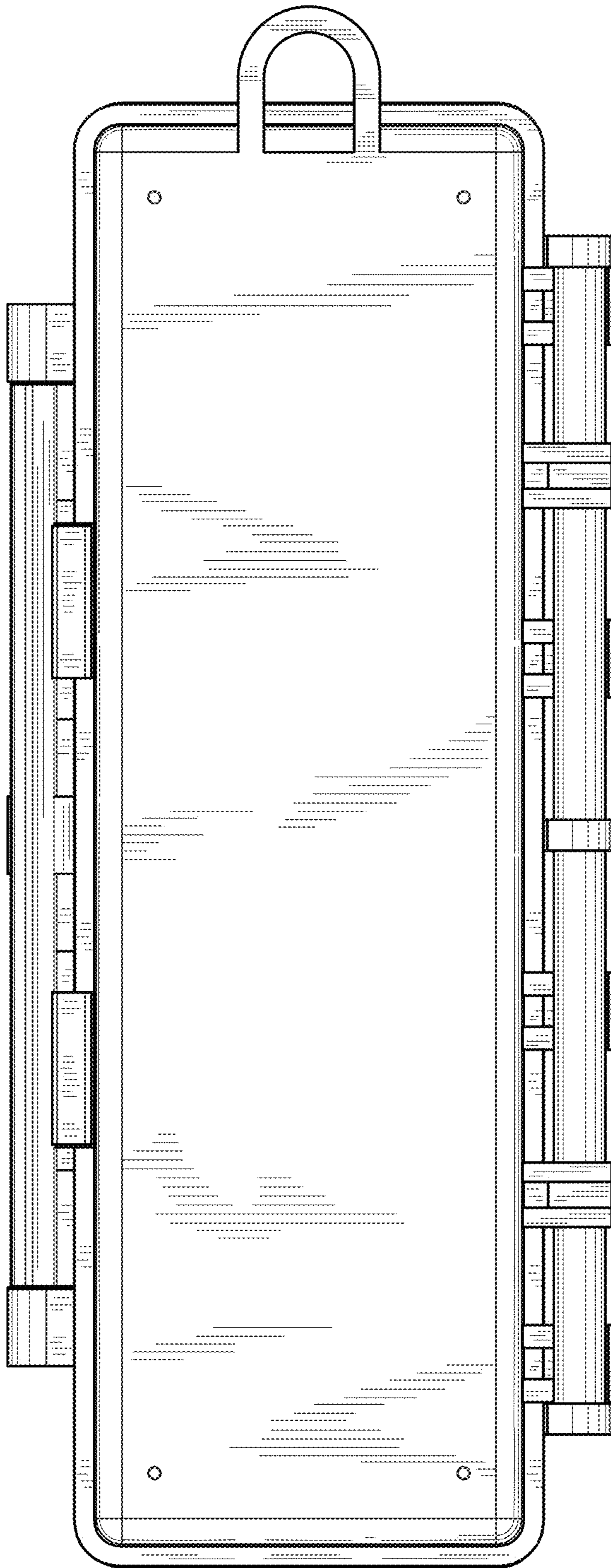


Fig. 6



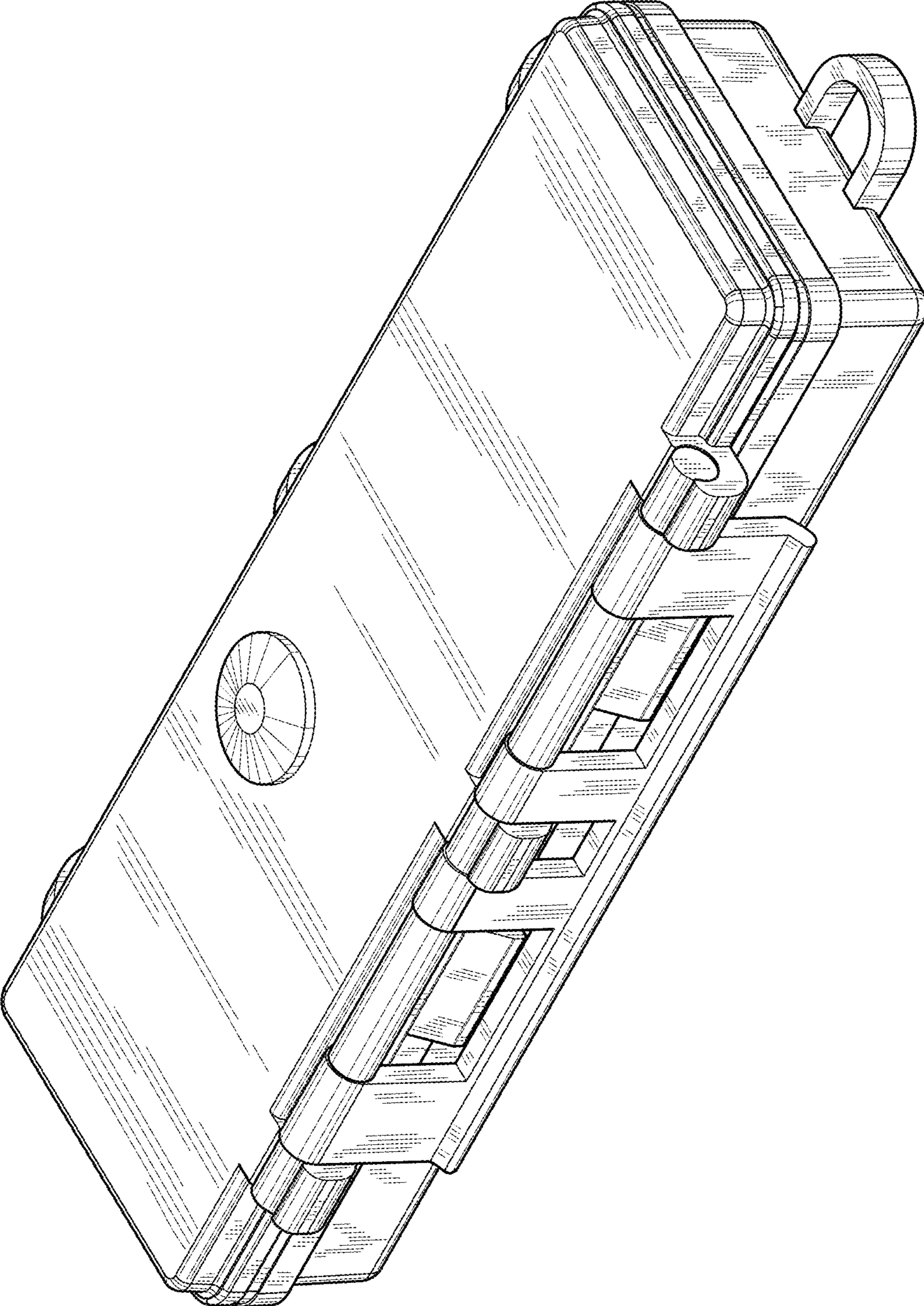


Fig. 7



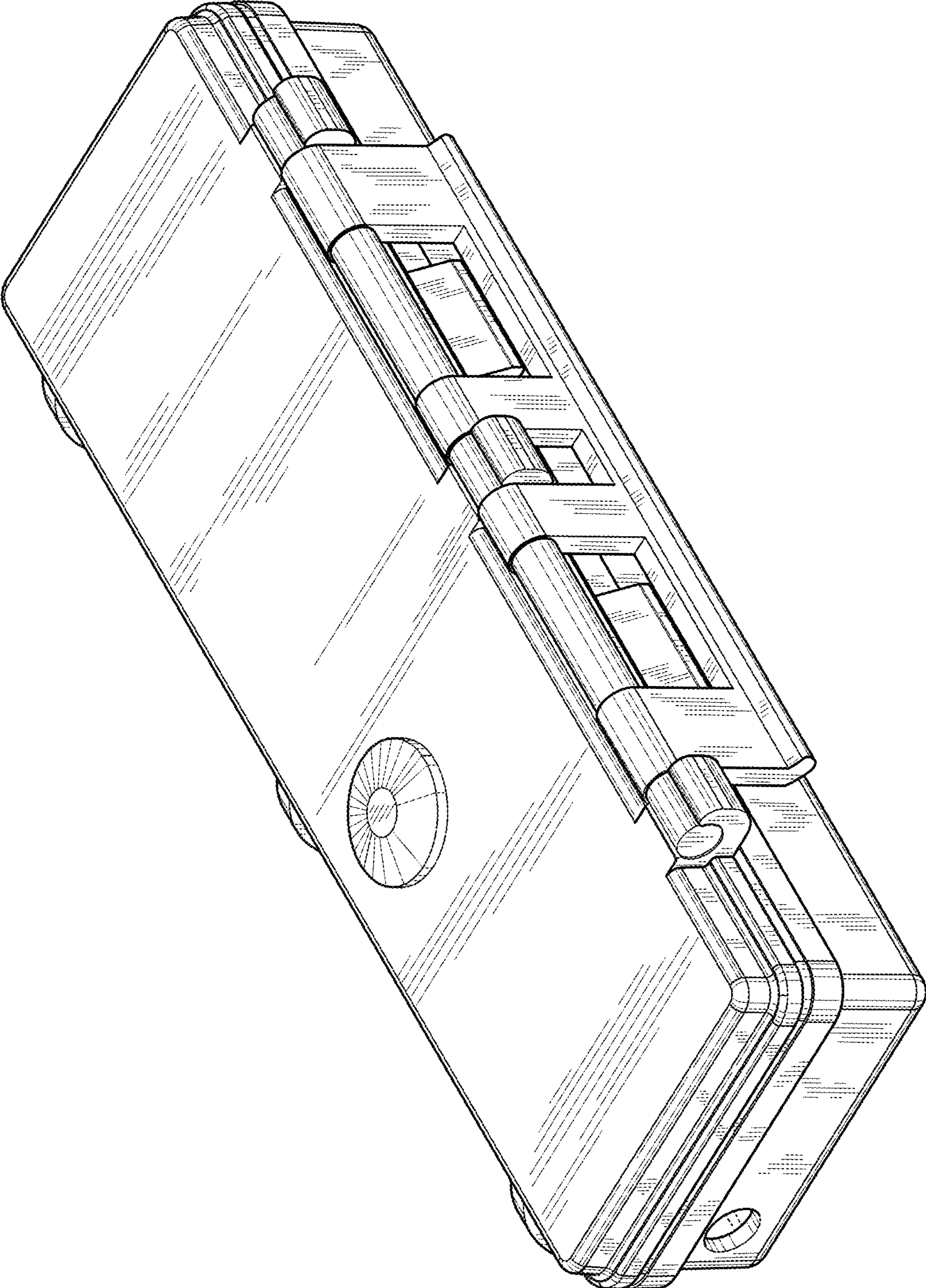


Fig. 8