



US00D885309S

(12) **United States Design Patent**
Nakamura

(10) **Patent No.:** **US D885,309 S**

(45) **Date of Patent:** **** May 26, 2020**

(54) **TIRE TREAD**

(71) Applicant: **BRIDGESTONE CORPORATION**,
Chuo-ku, Tokyo (JP)

(72) Inventor: **Takamitsu Nakamura**, Tokyo (JP)

(73) Assignee: **BRIDGESTONE CORPORATION**,
Chuo-ku, Tokyo (JP)

(**) Term: **15 Years**

(21) Appl. No.: **29/672,061**

(22) Filed: **Dec. 3, 2018**

(30) **Foreign Application Priority Data**

Jun. 20, 2018 (JP) 2018-013593

(51) **LOC (12) Cl.** **12-15**

(52) **U.S. Cl.**
USPC **D12/521**

(58) **Field of Classification Search**
USPC D12/500-532, 604
CPC Y10T 152/10027; B60C 1/0016; B60C
11/0306; B60C 11/0302; B60C 3/06;
B60C 9/17

See application file for complete search history.

(56) **References Cited**

U.S. PATENT DOCUMENTS

D612,321 S *	3/2010	Bott	D12/519
D626,910 S *	11/2010	Bott	D12/519
D677,215 S *	3/2013	Nakamura	D12/523
D678,176 S *	3/2013	Park	D12/531
D686,137 S *	7/2013	Nakamura	D12/521
D692,822 S *	11/2013	Nakamura	D12/521
D780,091 S *	2/2017	Colletti	D12/521

D781,775 S *	3/2017	Hayashi	D12/523
D783,508 S	4/2017	Tikka et al.		
D792,330 S	7/2017	Haanketo et al.		
D800,048 S *	10/2017	Yoon	D12/521
D805,023 S	12/2017	Hayashi		
D833,961 S *	11/2018	Wang	D12/532

FOREIGN PATENT DOCUMENTS

JP 1528450 S 7/2018

* cited by examiner

Primary Examiner — Lakiya G Rogers

Assistant Examiner — John A Voytek

(74) *Attorney, Agent, or Firm* — Kenja IP Law PC

(57) **CLAIM**

The ornamental design for a tire tread, as shown and described.

DESCRIPTION

FIG. 1 is a perspective view of a tire tread showing my new design;

FIG. 2 is a front view thereof;

FIG. 3 is a top view thereof;

FIG. 4 is a right side view thereof;

FIG. 5 is a left side view thereof;

FIG. 6 is a fragmentary enlarged front view;

FIG. 7 is an end view taken along line 7-7 in FIG. 6;

FIG. 8 is an end view taken along line 8-8 in FIG. 6; and,

FIG. 9 is an end view taken along line 9-9 in FIG. 6.

Broken lines shown in the drawings are intended to show portions of the tire tread that form no part of the claimed design. The light stippled surface shading represents the surface of the tire tread, and the dark stippled surface shading represents the recessed portion of the tread grooves, having the depth as shown in FIGS. 7, 8 and 9.

1 Claim, 9 Drawing Sheets

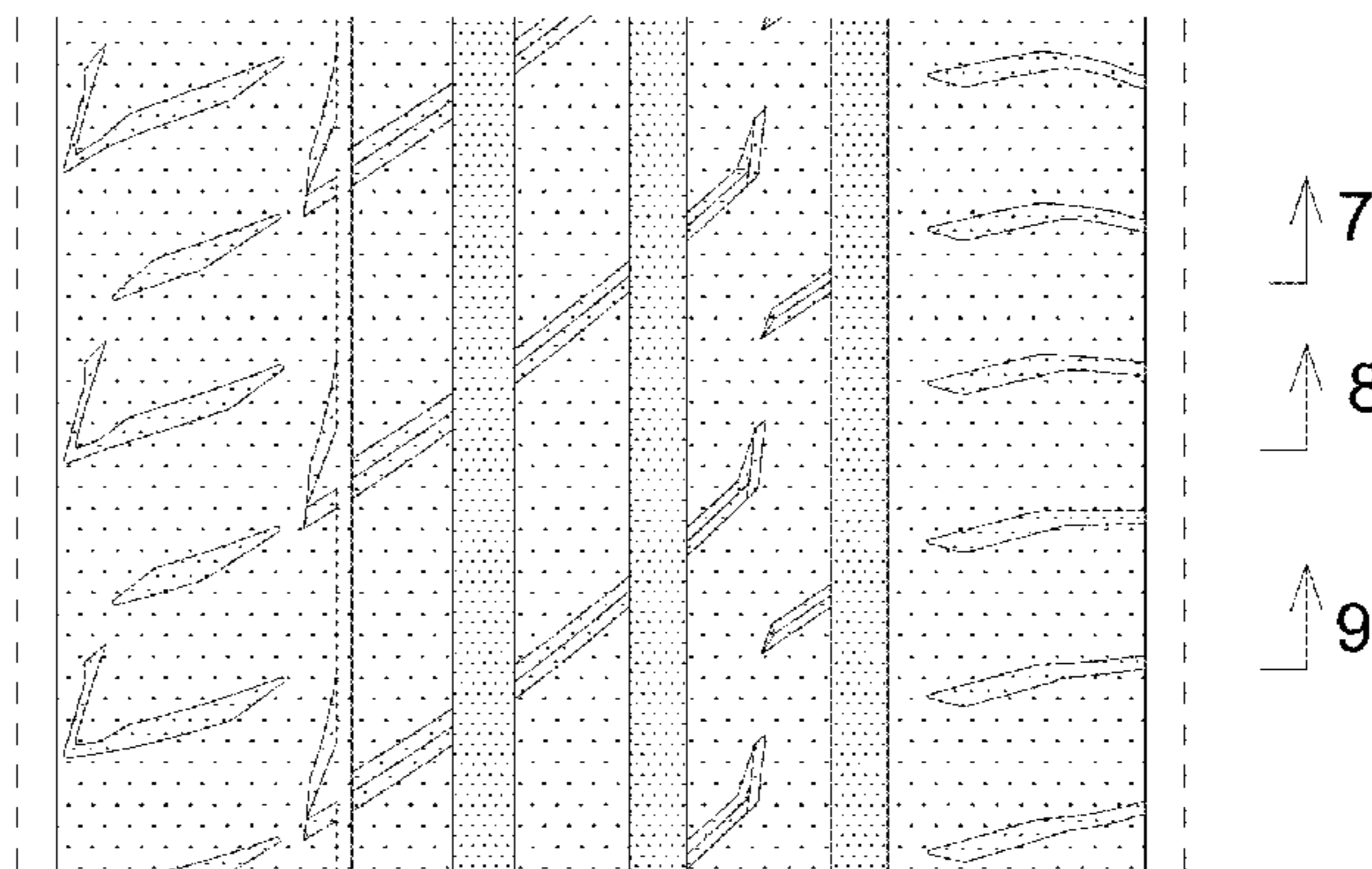
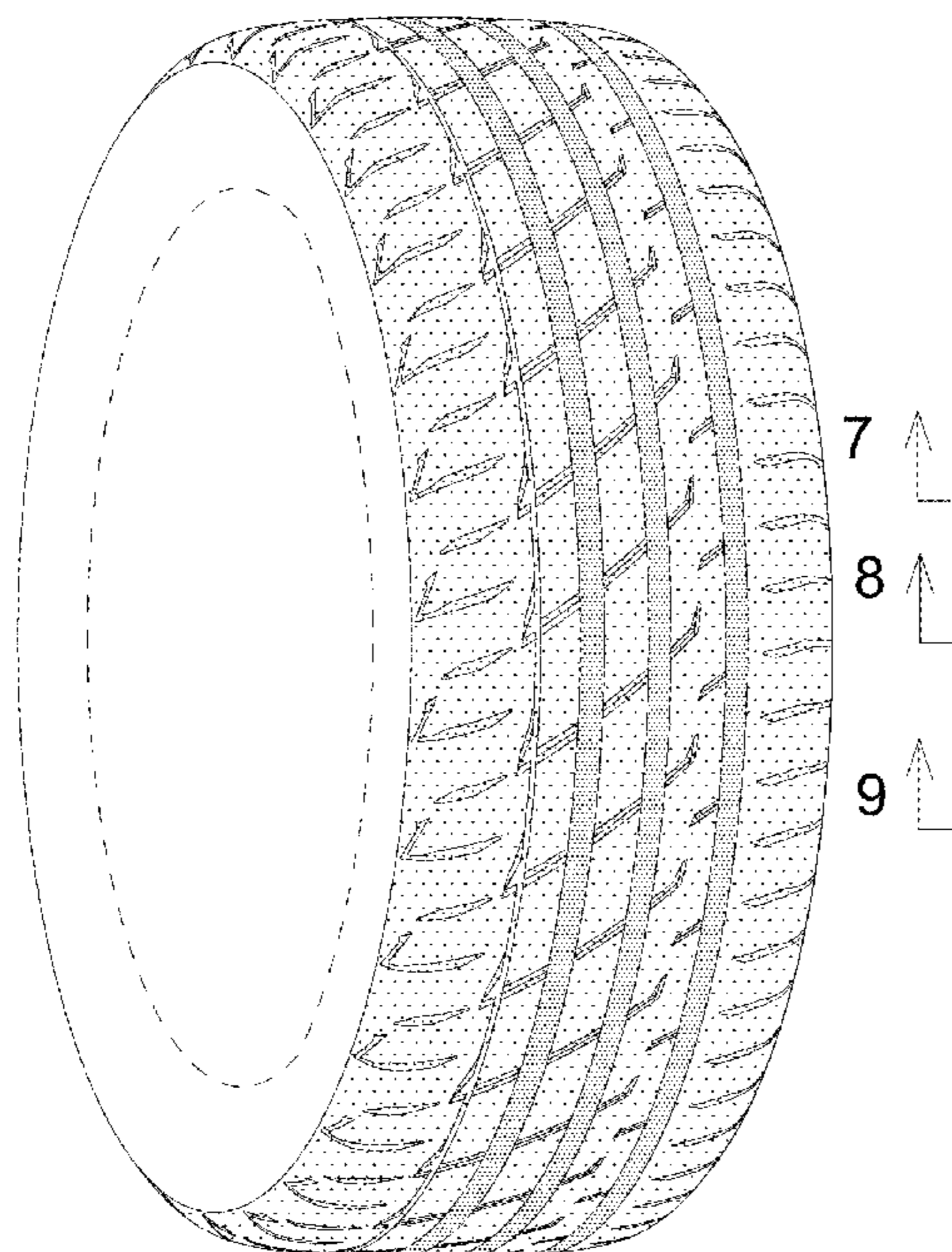


FIG. 1

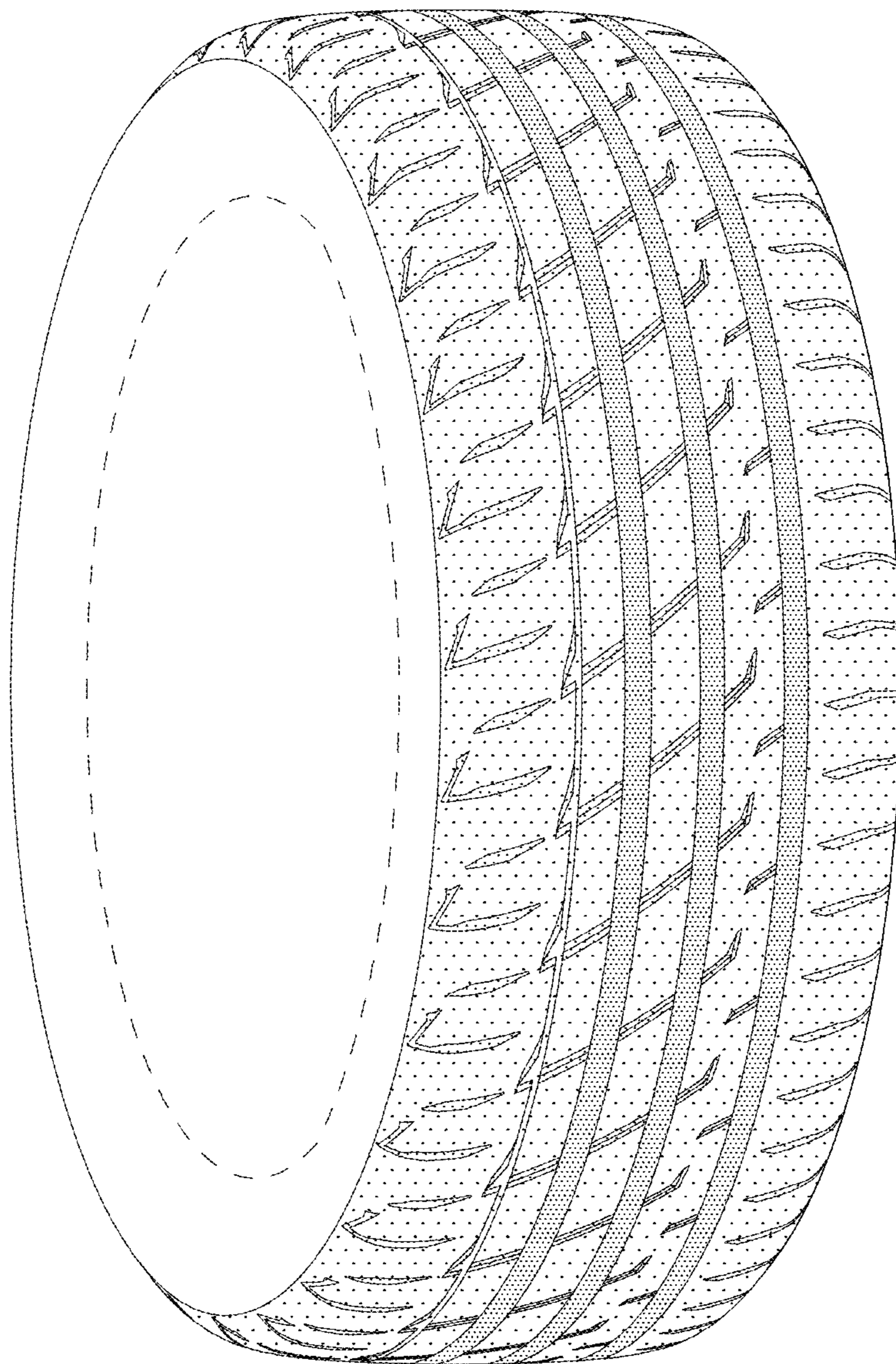


FIG. 2

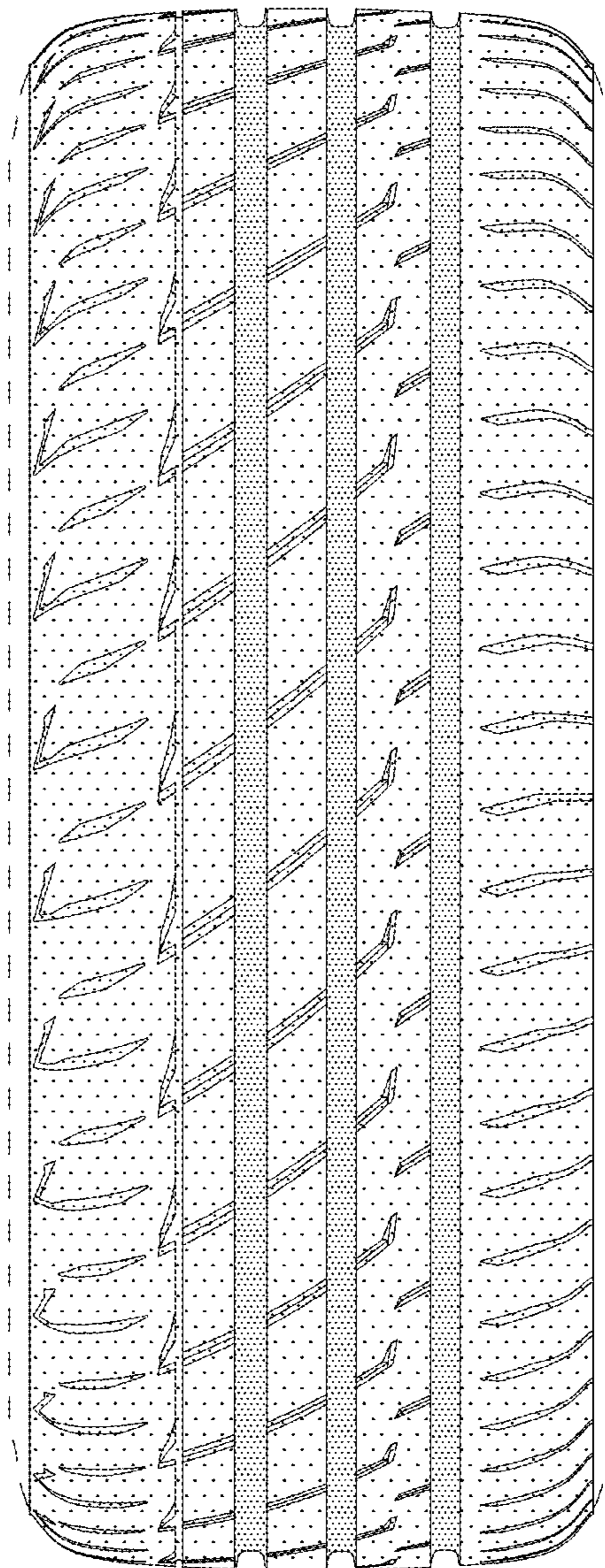


FIG. 3

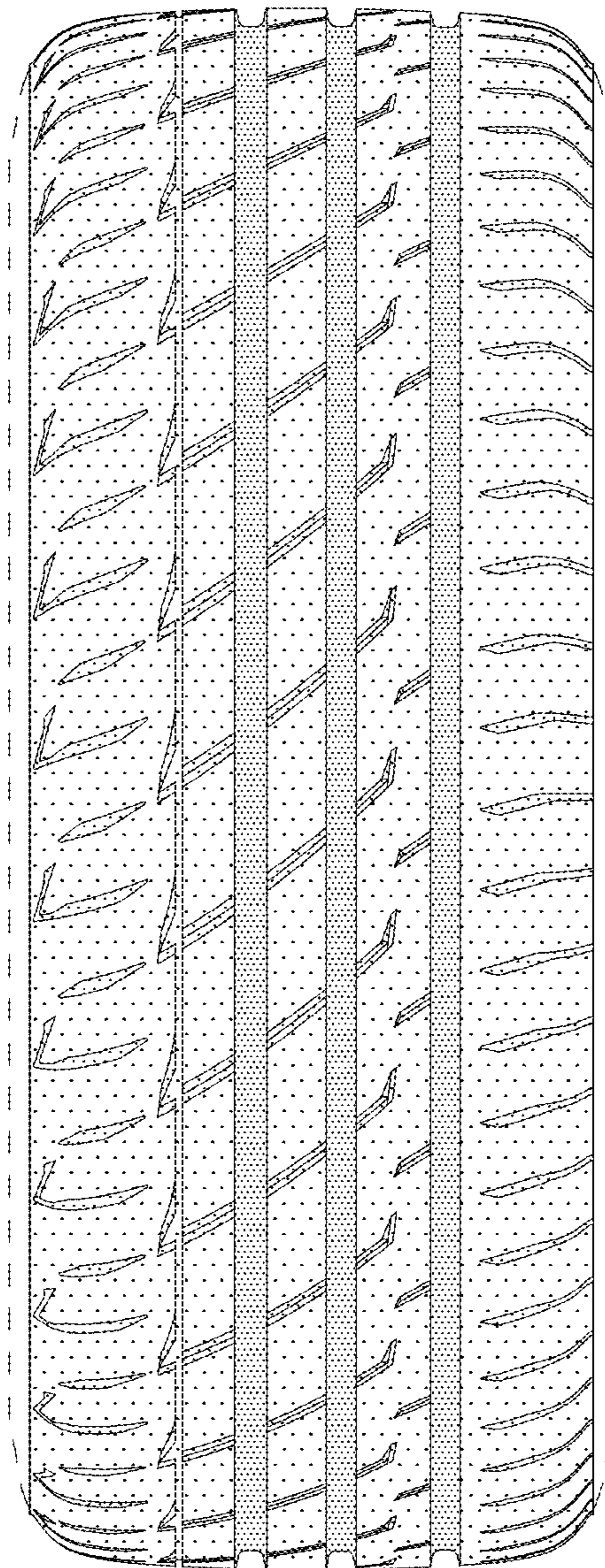


FIG. 4

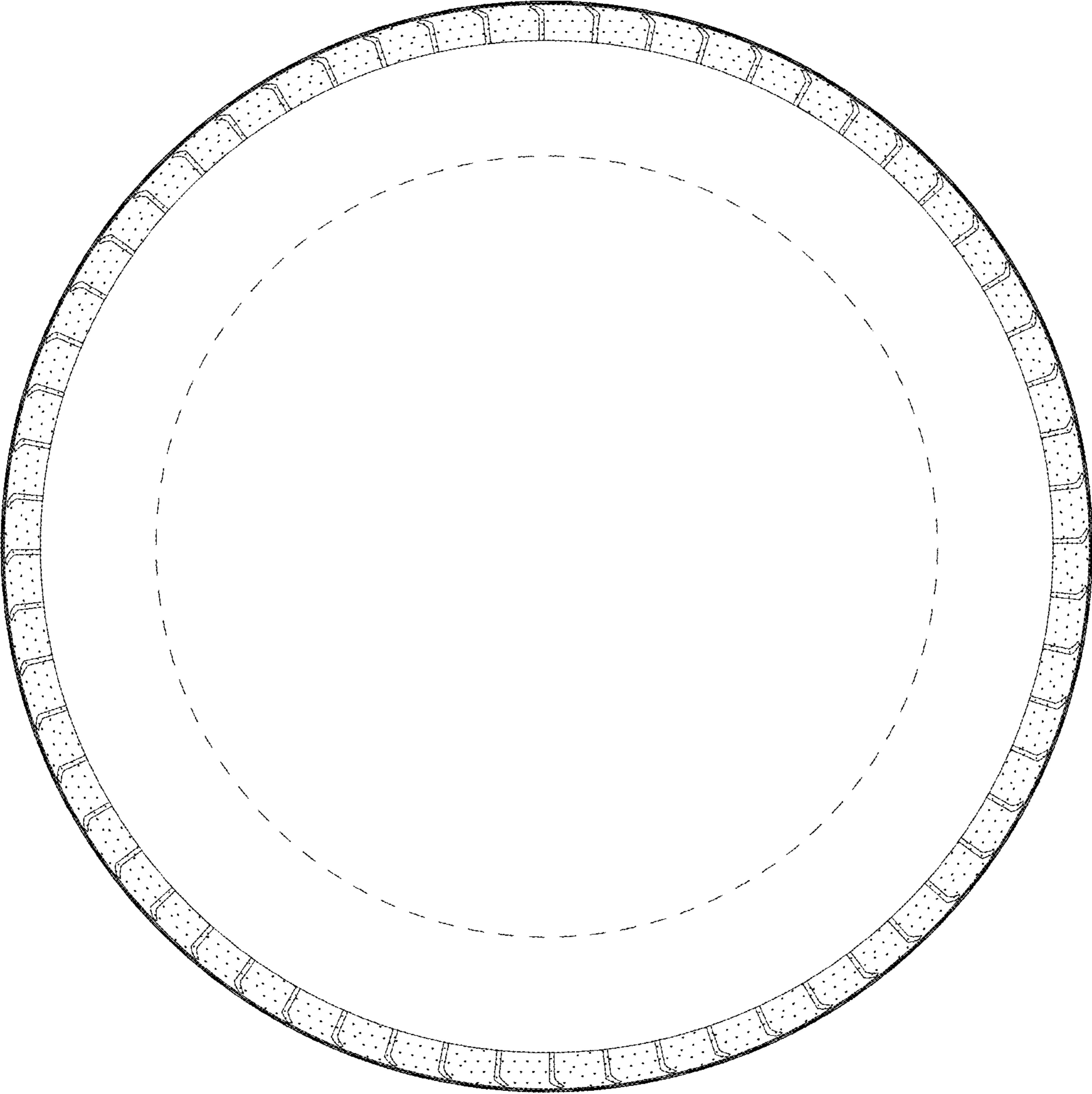


FIG. 5

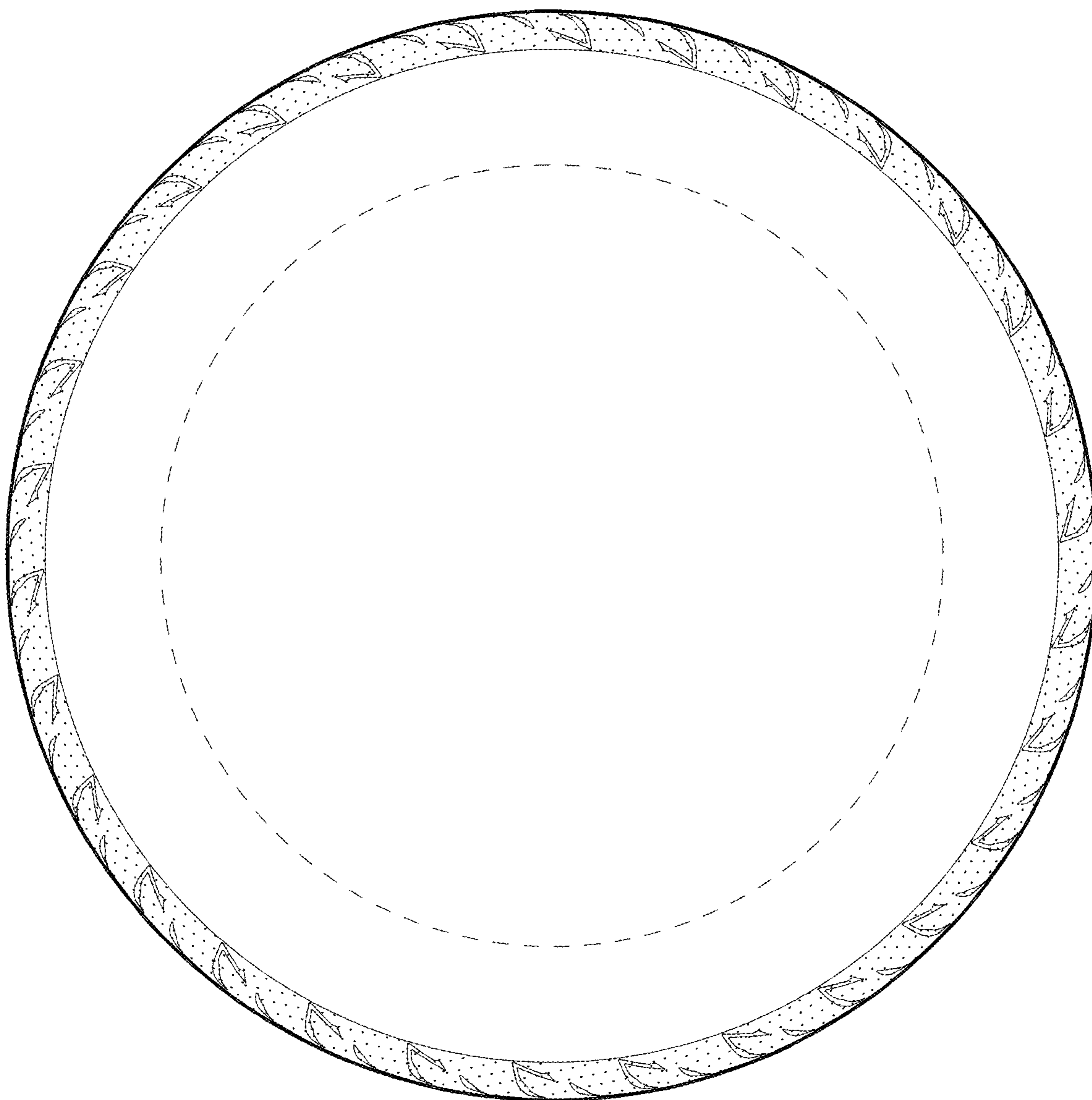


FIG. 6

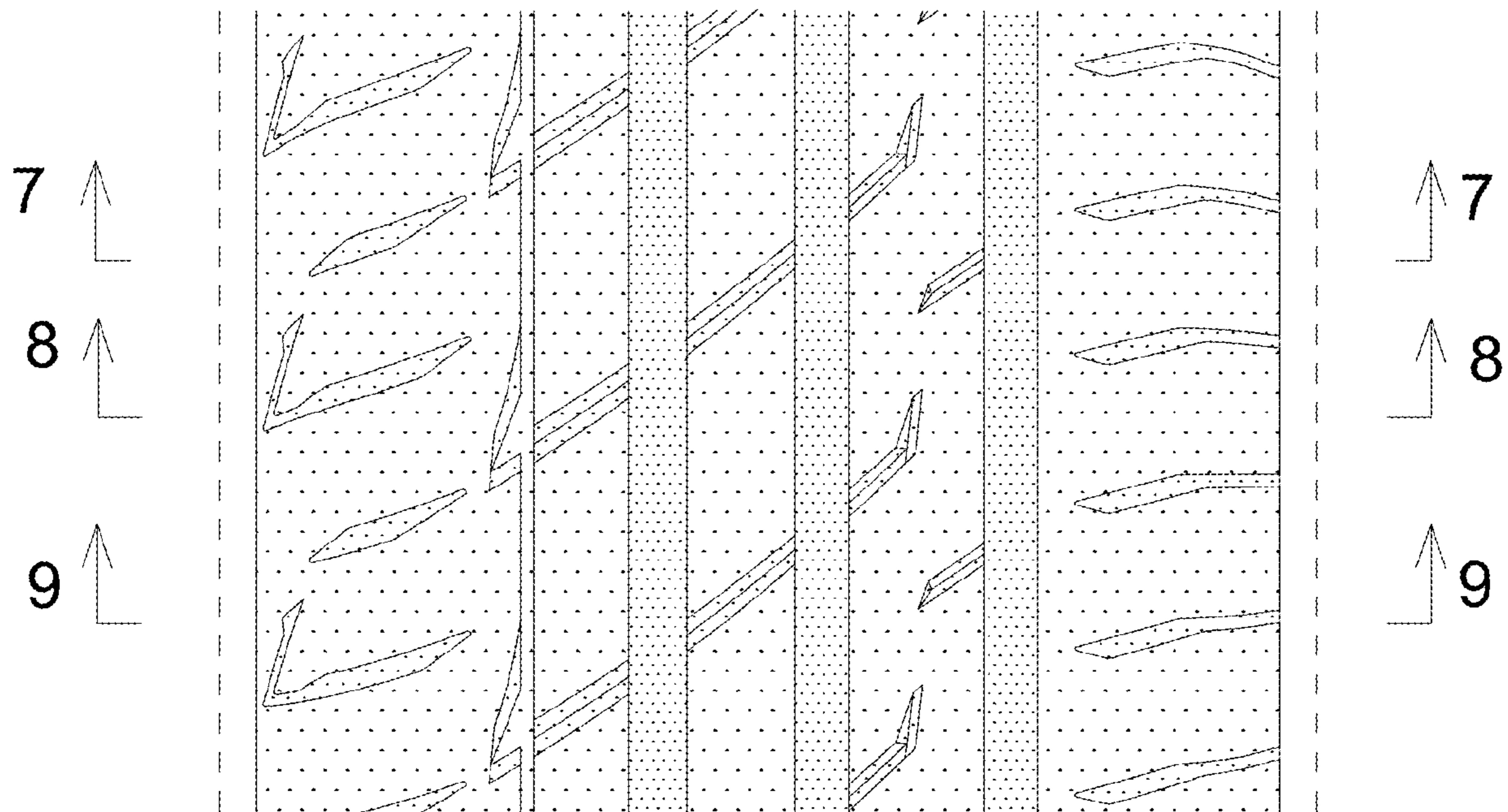


FIG. 7

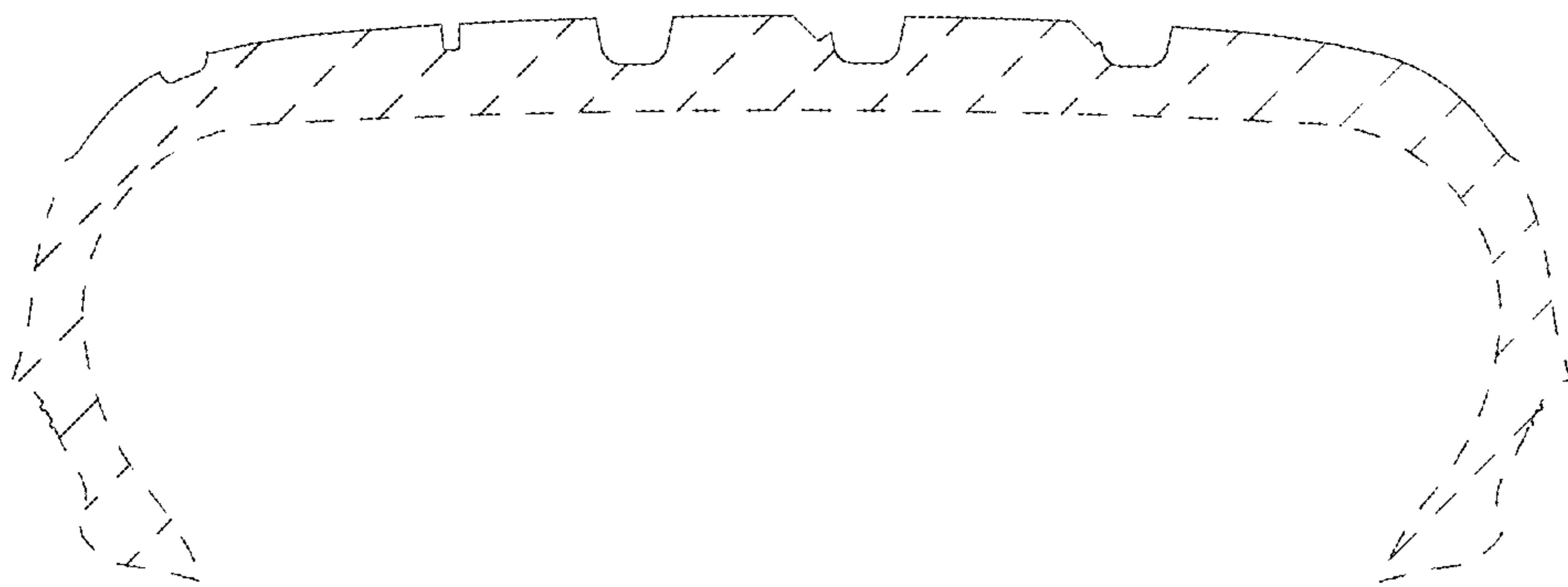


FIG. 8

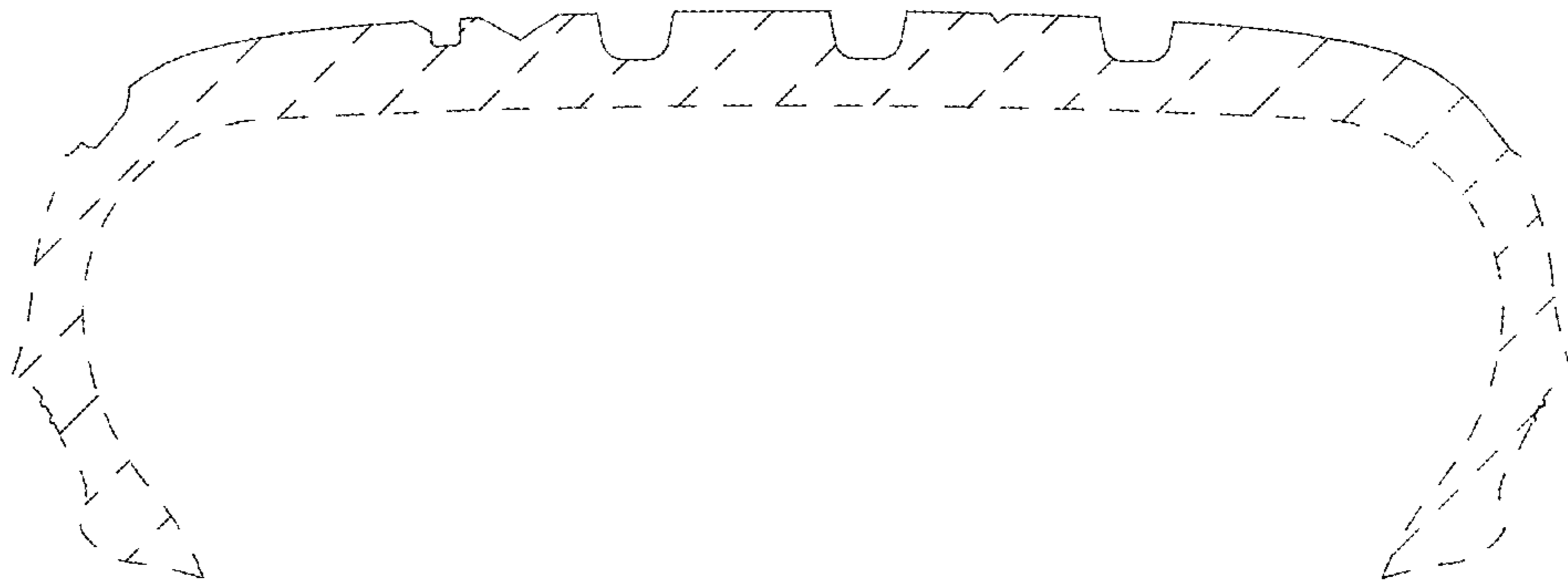


FIG. 9

