



US00D885307S

(12) **United States Design Patent**  
**De Filippis et al.**

(10) **Patent No.:** **US D885,307 S**

(45) **Date of Patent:** **\*\* \*May 26, 2020**

(54) **TIRE TREAD**

(71) Applicant: **BRIDGESTONE EUROPE NV/SA**,  
Zaventem (BE)

(72) Inventors: **Gabriele De Filippis**, Rome (IT);  
**Marco Poggi**, Rome (IT); **Marco**  
**Toscano**, Rome (IT); **Marco Del Duca**,  
Rome (IT); **Enrico Sabbatini**, Rome  
(IT); **Fabio Tomassi**, Rome (IT); **Nello**  
**Palomba**, Rome (IT)

(73) Assignee: **Bridgestone Europe NV/SA**, Zaventem  
(BE)

(\*) Notice: This patent is subject to a terminal dis-  
claimer.

(\*\*) Term: **15 Years**

(21) Appl. No.: **29/653,822**

(22) Filed: **Jun. 19, 2018**

(30) **Foreign Application Priority Data**

Dec. 20, 2017 (EM) ..... 004557403

(51) **LOC (12) Cl.** ..... **12-15**

(52) **U.S. Cl.**  
USPC ..... **D12/517**

(58) **Field of Classification Search**

USPC ..... D12/500-532, 604  
CPC ..... Y10T 152/10027; B60C 1/0016; B60C  
11/0306; B60C 11/0302; B60C 3/06;  
B60C 9/17

See application file for complete search history.

(56) **References Cited**

**U.S. PATENT DOCUMENTS**

D675,148 S \* 1/2013 Kiwaki ..... D12/517  
D780,091 S \* 2/2017 Colletti ..... D12/521

D780,668 S \* 3/2017 Raatikainen ..... D12/517  
D790,438 S \* 6/2017 Seii ..... D12/517  
D795,165 S \* 8/2017 Philipot ..... D12/521  
D797,034 S \* 9/2017 Colombo ..... D12/521  
D798,801 S \* 10/2017 Doui ..... D12/521  
D848,353 S \* 5/2019 Wang ..... D12/531  
D852,117 S \* 6/2019 Meetarbhan ..... D12/517  
D854,490 S \* 7/2019 Wakasugi ..... D12/521  
2018/0162171 A1 \* 6/2018 Colletti ..... B60C 11/0306

\* cited by examiner

*Primary Examiner* — Lakiya G Rogers

*Assistant Examiner* — John A Voytek

(74) *Attorney, Agent, or Firm* — Sughrue Mion, PLLC

(57) **CLAIM**

The ornamental design for a tire tread, as shown and  
described.

**DESCRIPTION**

FIG. 1 is a perspective view of the tire tread showing our  
new design;

FIG. 2 is a front view thereof;

FIG. 3 is a left side view thereof;

FIG. 4 is a rear view thereof;

FIG. 5 is a right side view thereof;

FIG. 6 is a top view thereof;

FIG. 7 is a bottom view thereof;

FIG. 8 is an enlarged plan view of a portion thereof;

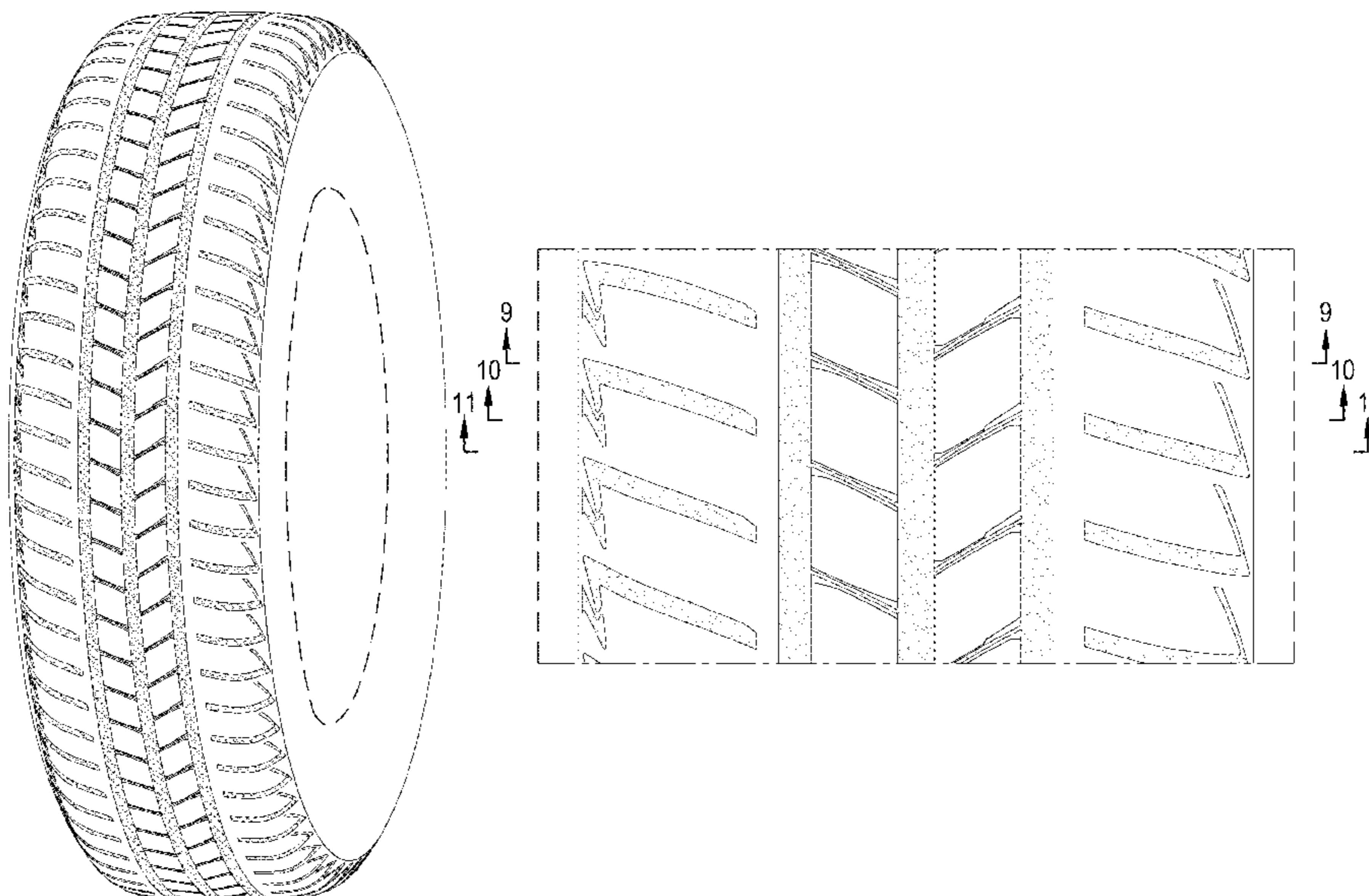
FIG. 9 is a sectional view taken along line 9-9 in FIG. 8;

FIG. 10 is a sectional view taken along line 10-10 in FIG. 8;  
and,

FIG. 11 is a sectional view taken along line 11-11 in FIG. 8.

The broken lines are used to show portions of the tire tread  
that are not being claimed, and thus form no part of the  
claimed design.

**1 Claim, 11 Drawing Sheets**



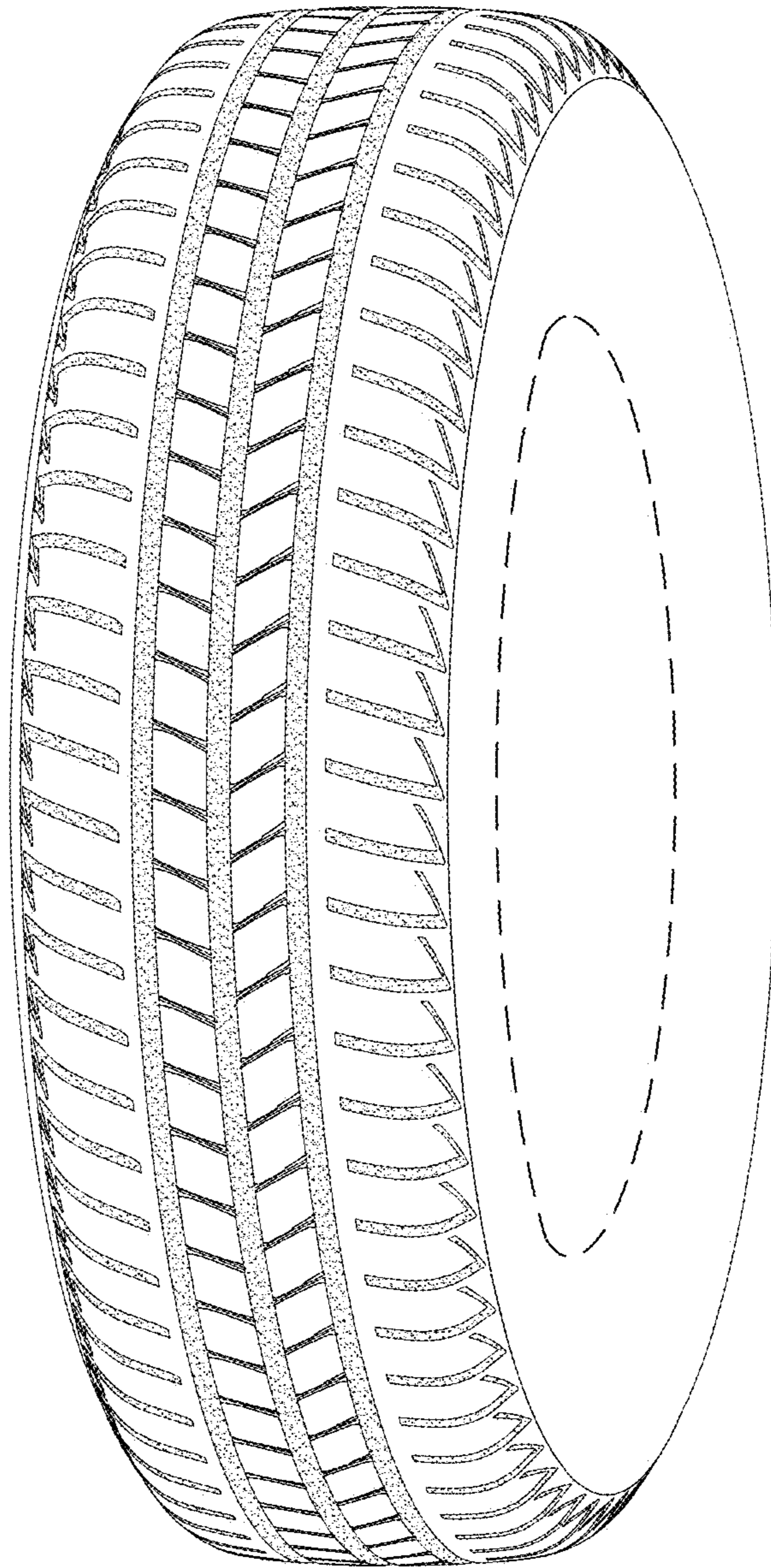


FIG.1

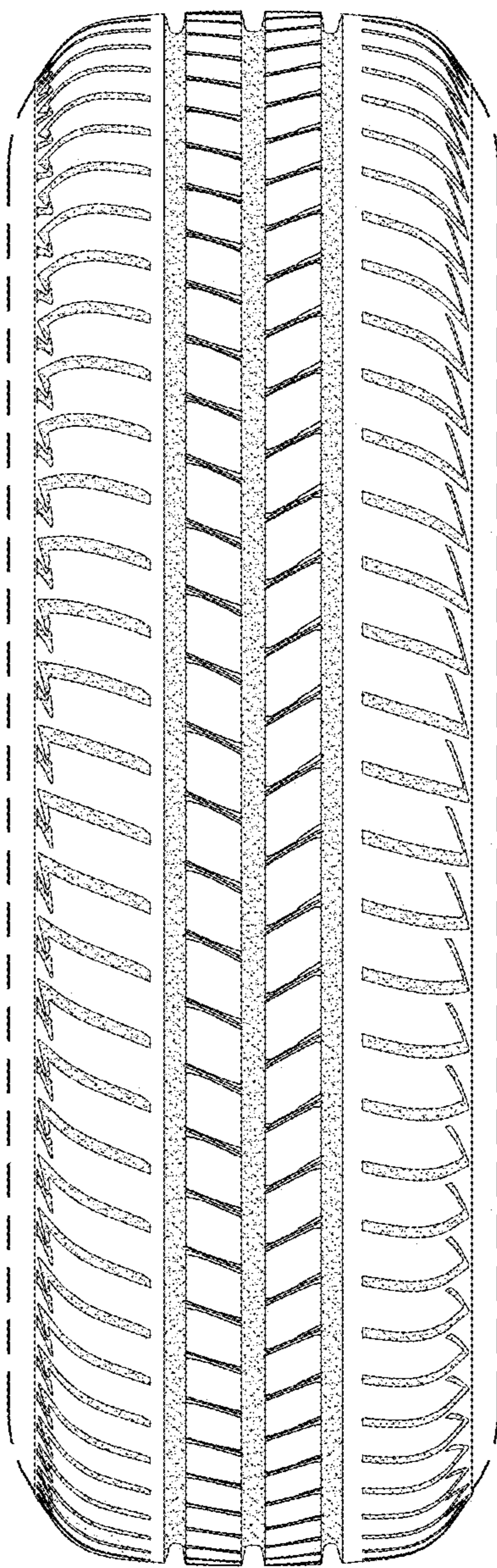


FIG.2

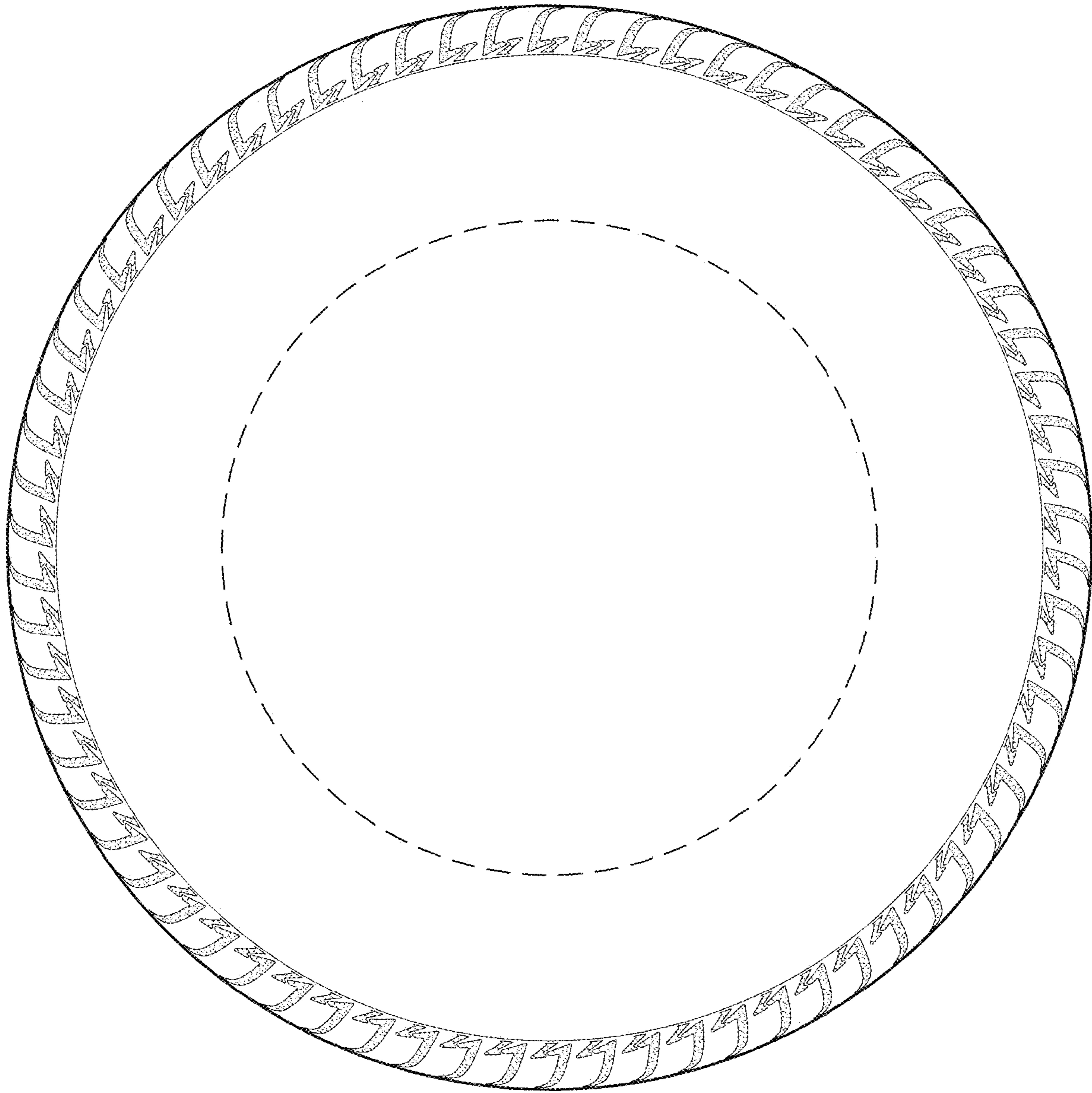


FIG.3

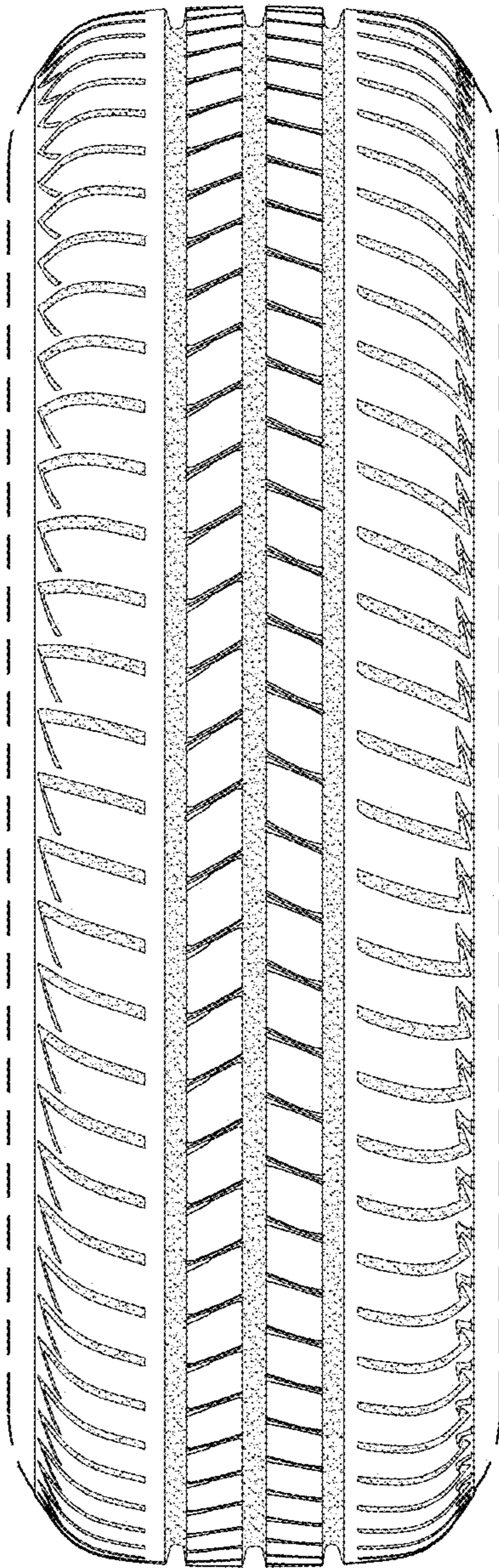


FIG.4

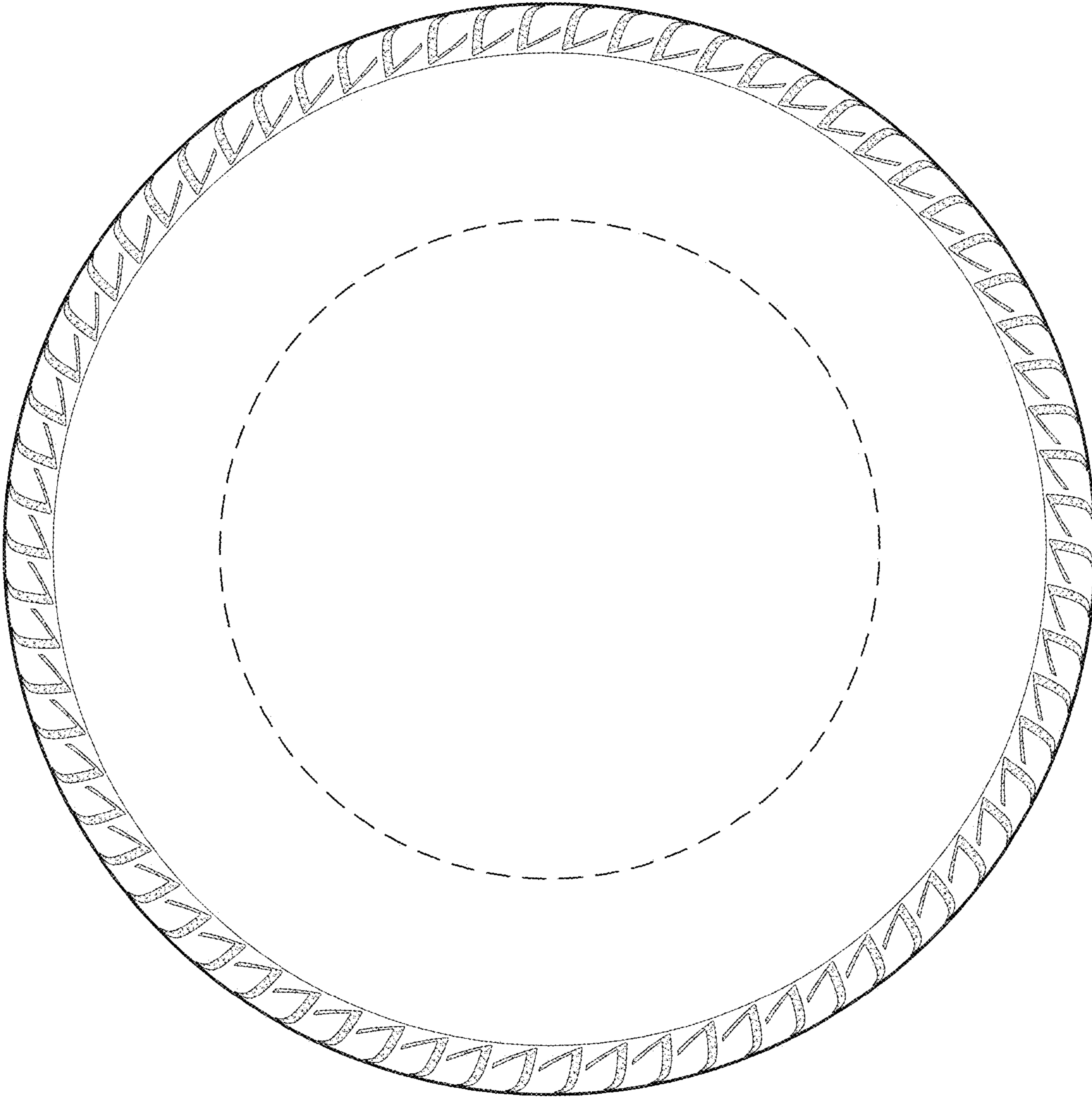


FIG.5

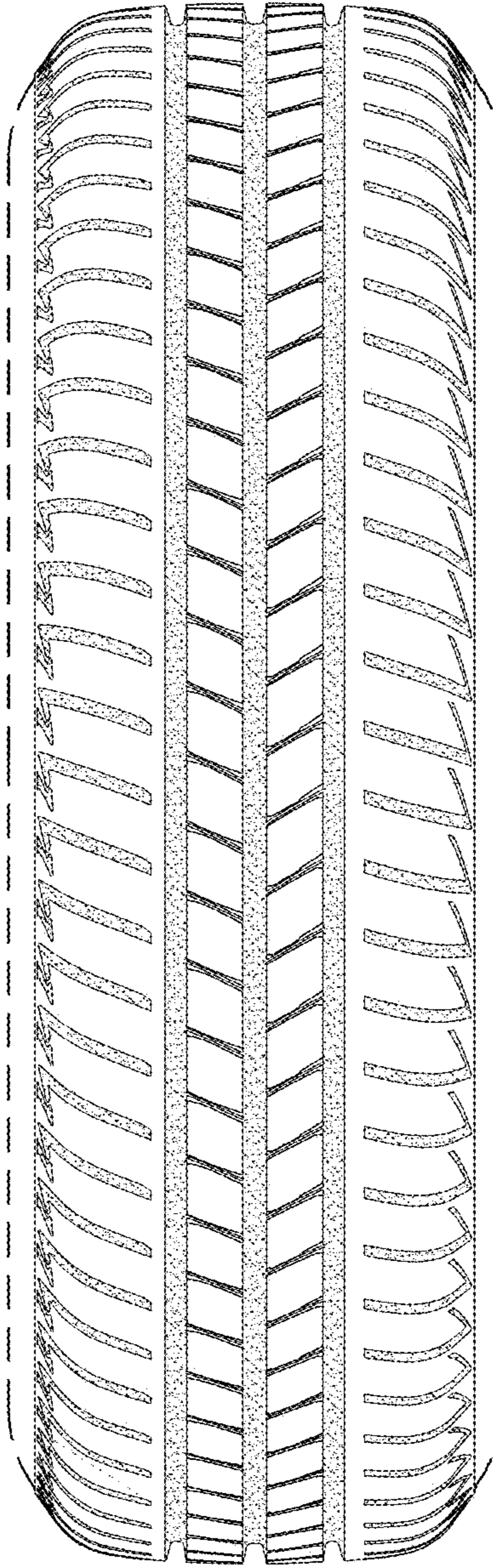


FIG.6

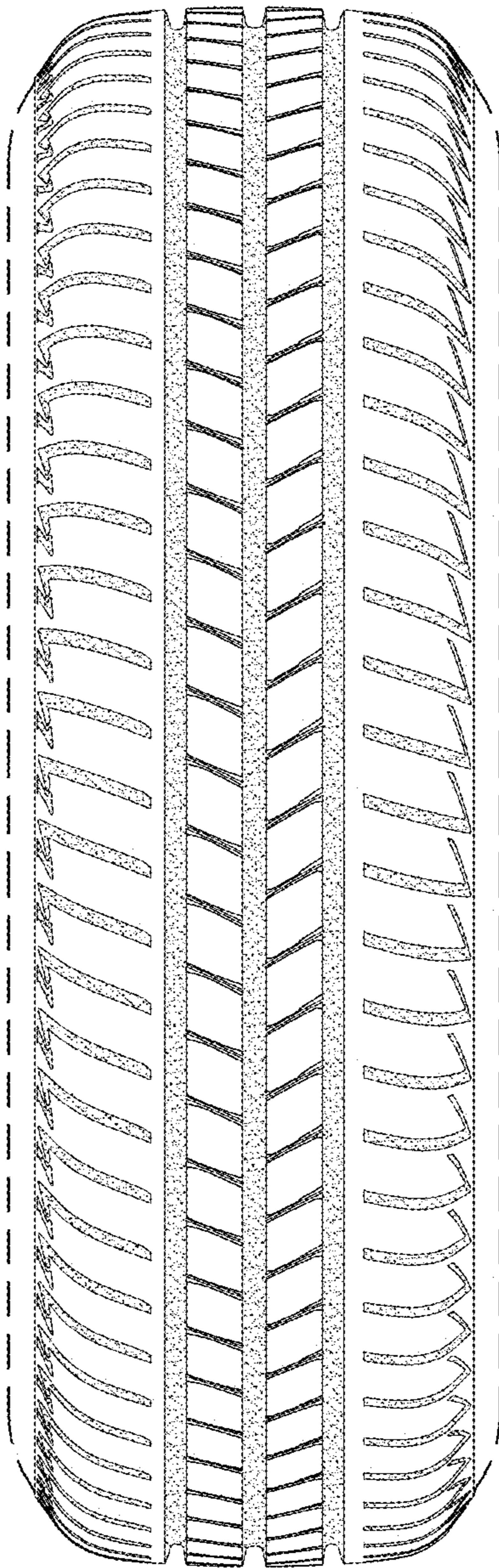


FIG.7



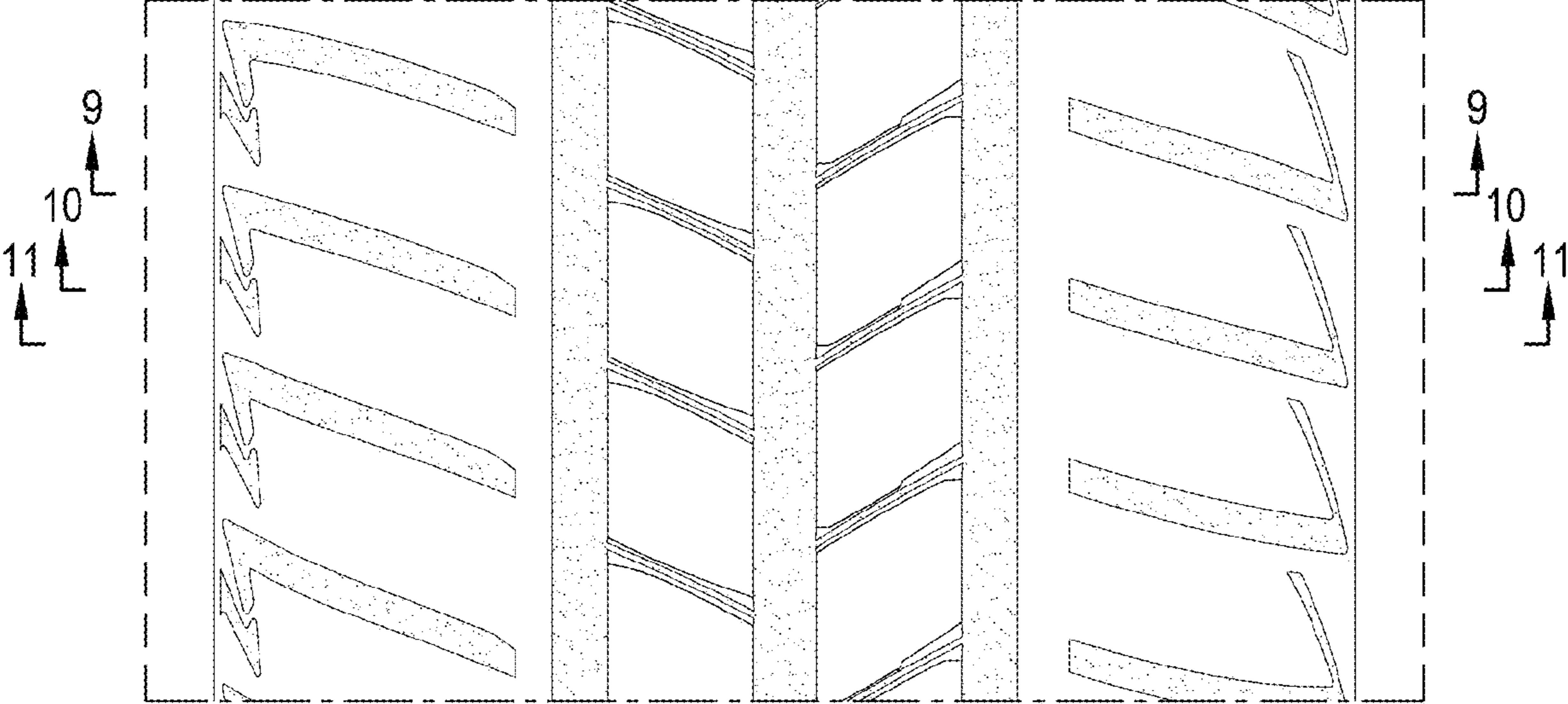


FIG.8

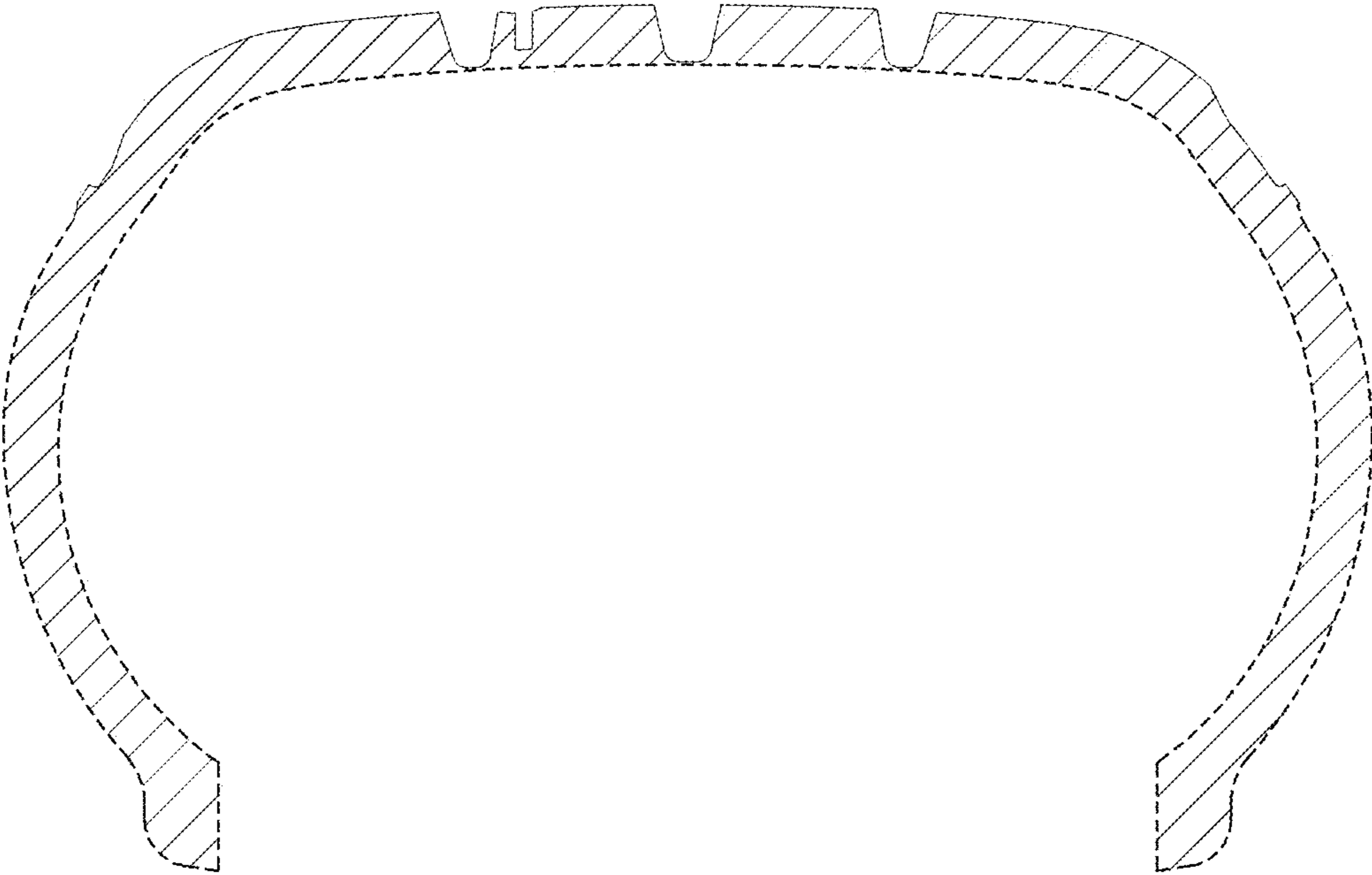


FIG.9

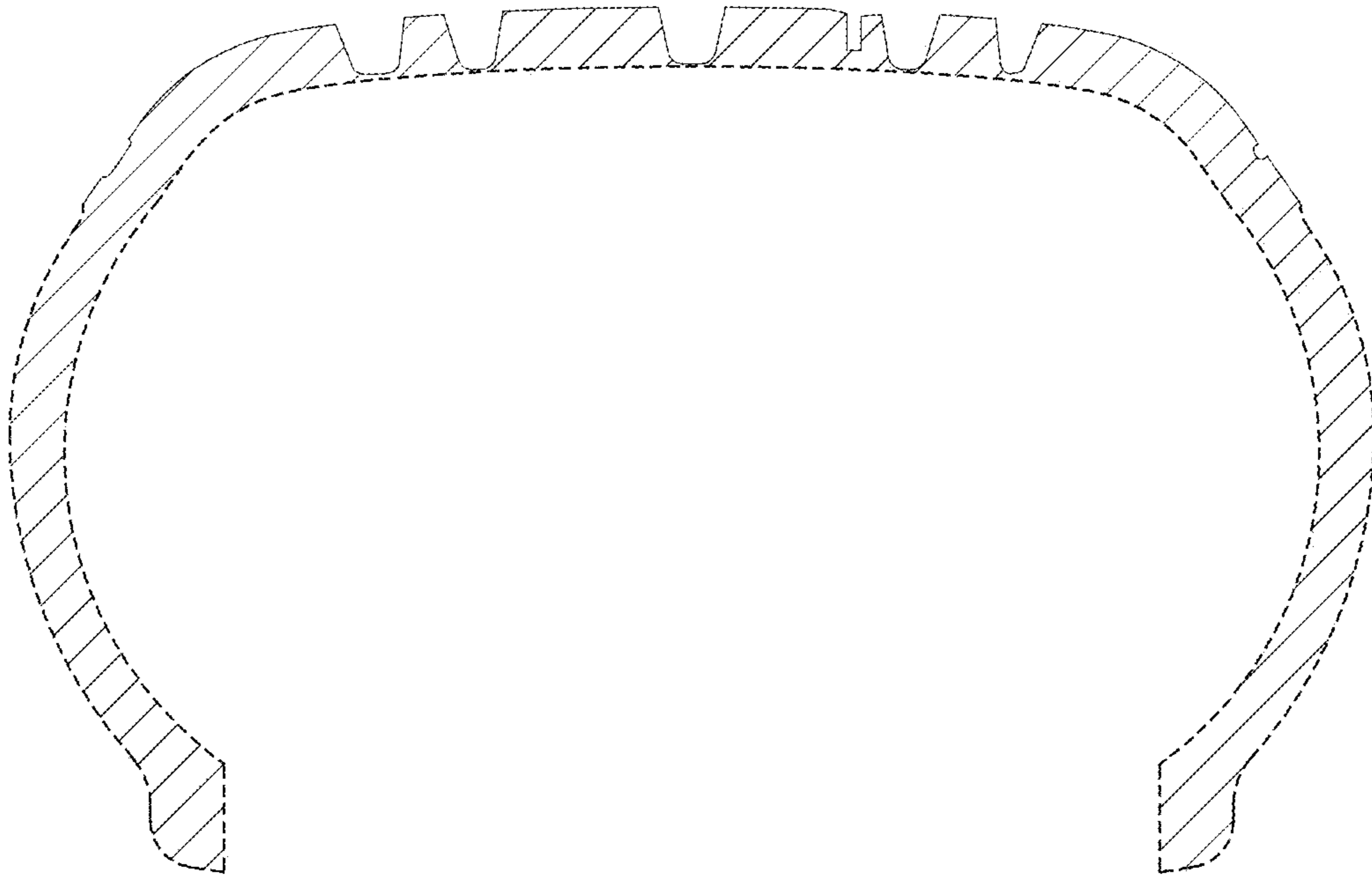


FIG.10

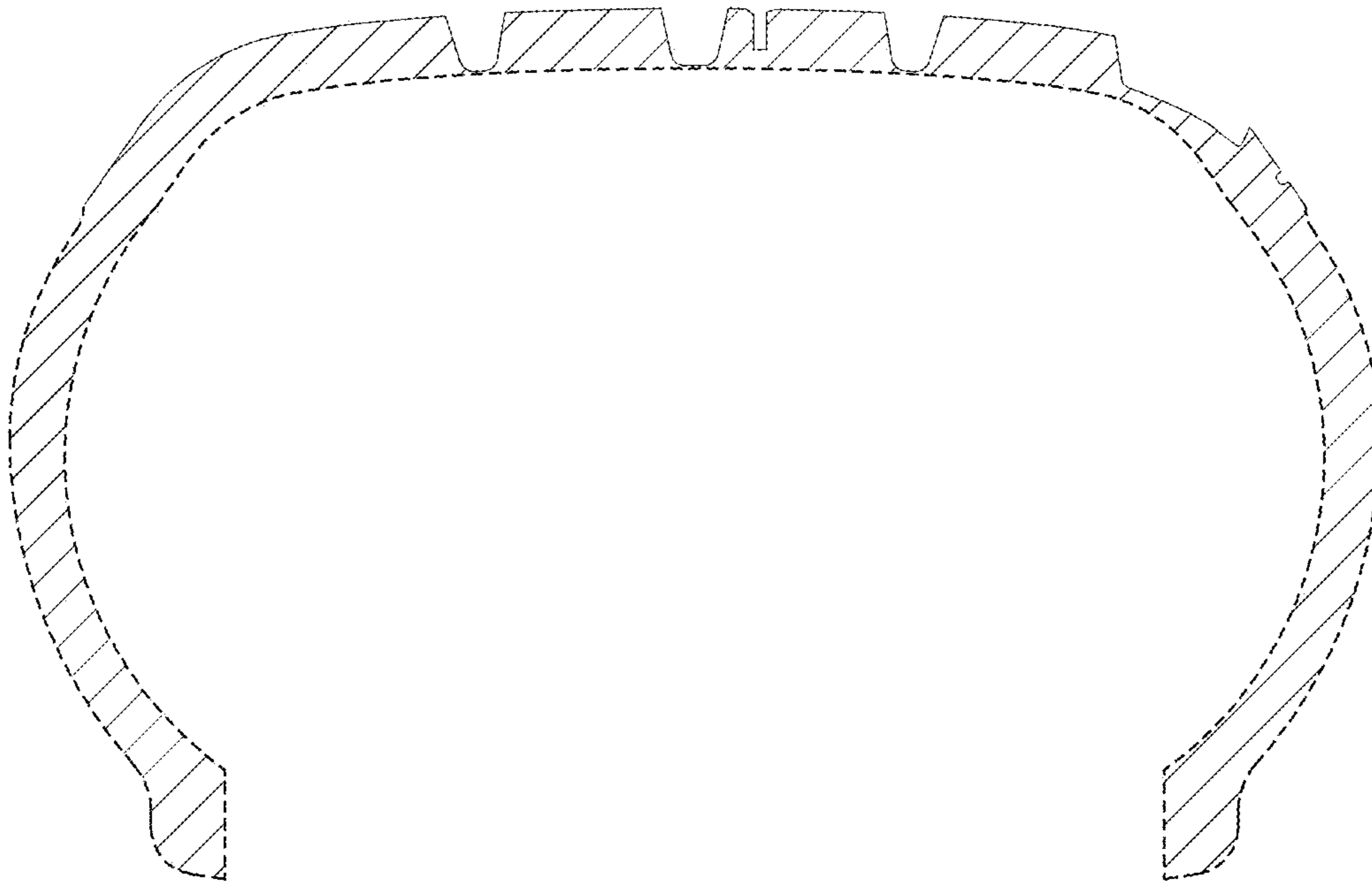


FIG.11