



US00D885306S

(12) **United States Design Patent**
Tomasson et al.

(10) **Patent No.:** **US D885,306 S**

(45) **Date of Patent:** **** May 26, 2020**

(54) **CENTRAL CONSOLE**

(71) Applicant: **NIO NEXTEV LIMITED**, Hong Kong (HK)

(72) Inventors: **Kris Tomasson**, Munich (DE); **Jochen Paesen**, Munich (DE); **Philip Gillman**, Munich (DE); **Olivier Pruvost**, Munich (DE)

(73) Assignee: **NIO NEXTEV LIMITED**, Hong Kong (HK)

(**) Term: **15 Years**

(21) Appl. No.: **29/681,519**

(22) Filed: **Feb. 26, 2019**

(30) **Foreign Application Priority Data**

Sep. 27, 2018 (EM) 005663283-0002

Sep. 27, 2018 (EM) 005663283-0003

(51) **LOC (12) Cl.** **12-16**

(52) **U.S. Cl.**
USPC **D12/419**

(58) **Field of Classification Search**
USPC D12/419, 415; D7/620
CPC .. B60Q 3/225; B60Q 3/64; B60N 3/10; B60R 7/08

See application file for complete search history.

(56) **References Cited**

U.S. PATENT DOCUMENTS

D770,968 S * 11/2016 Willis D12/415

D781,210 S * 3/2017 Itou D12/419

D781,211 S * 3/2017 Satou D12/419
D801,911 S * 11/2017 Stroud D12/419
D808,330 S * 1/2018 Kuwahara D12/419
D830,951 S * 10/2018 Karasawa D12/419
D836,059 S * 12/2018 Takagi D12/415
D836,060 S * 12/2018 Takagi D12/415
D856,265 S * 8/2019 Tomasson D12/419
D857,611 S * 8/2019 Igarashi D12/415
D869,380 S * 12/2019 Kabata D12/415

* cited by examiner

Primary Examiner — Katrina A Betton

(74) *Attorney, Agent, or Firm* — Sutton Magidoff
Barkume LLP

(57) **CLAIM**

The ornamental design for a central console, as shown and described.

DESCRIPTION

FIG. 1 is a front view of a central console showing our new design;

FIG. 2 is a top view thereof;

FIG. 3 is a rear view thereof;

FIG. 4 is a left view thereof;

FIG. 5 is a right view thereof;

FIG. 6 is a perspective view thereof;

FIG. 7 is another perspective view thereof; and,

FIG. 8 is a bottom view thereof.

1 Claim, 4 Drawing Sheets

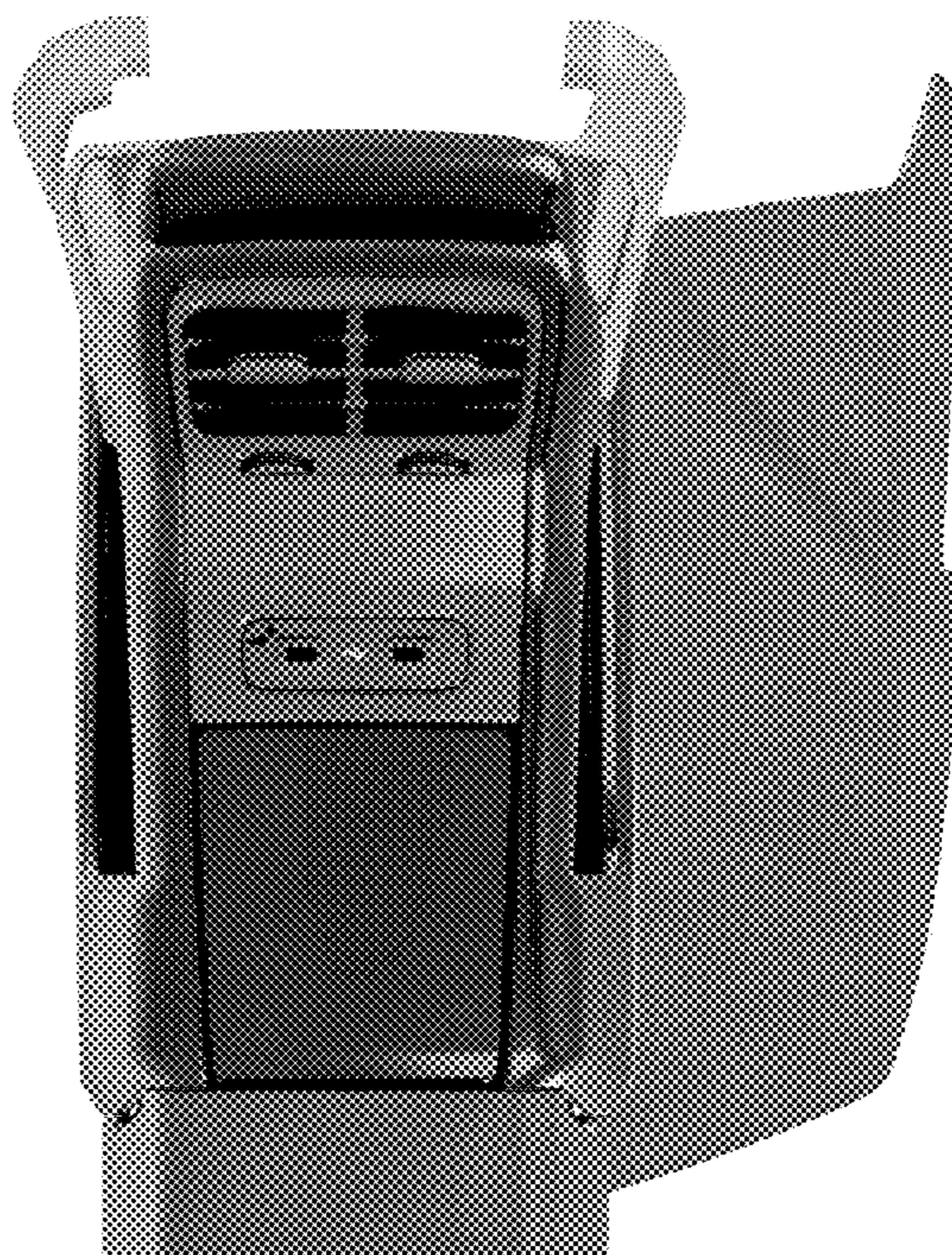




Figure 1

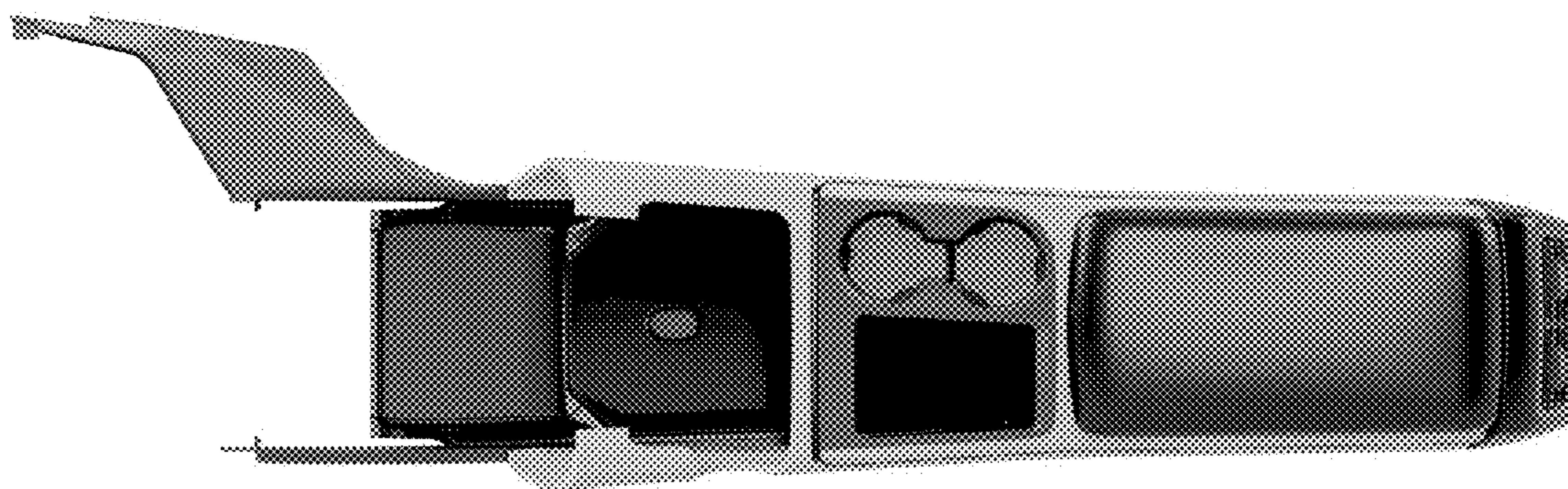


Figure 2

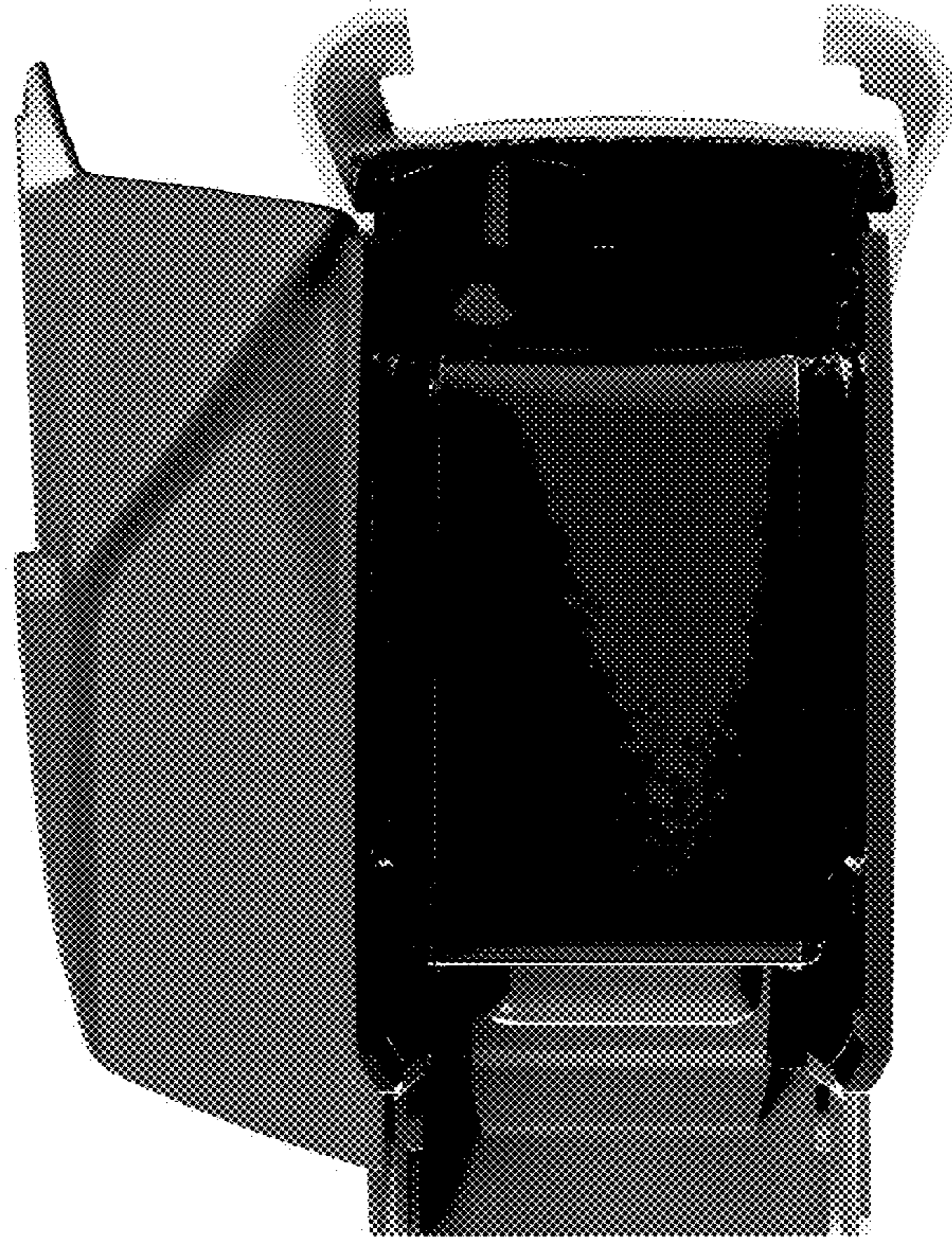


Figure 3

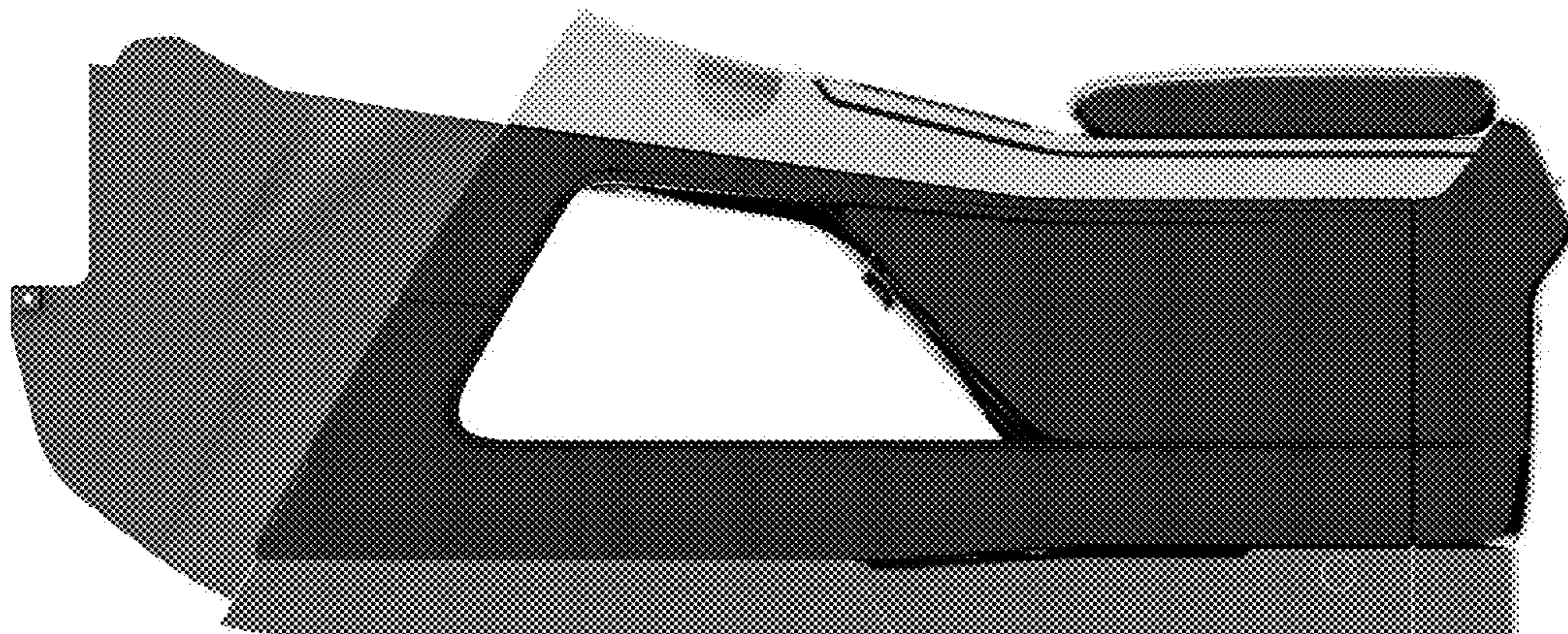


Figure 4

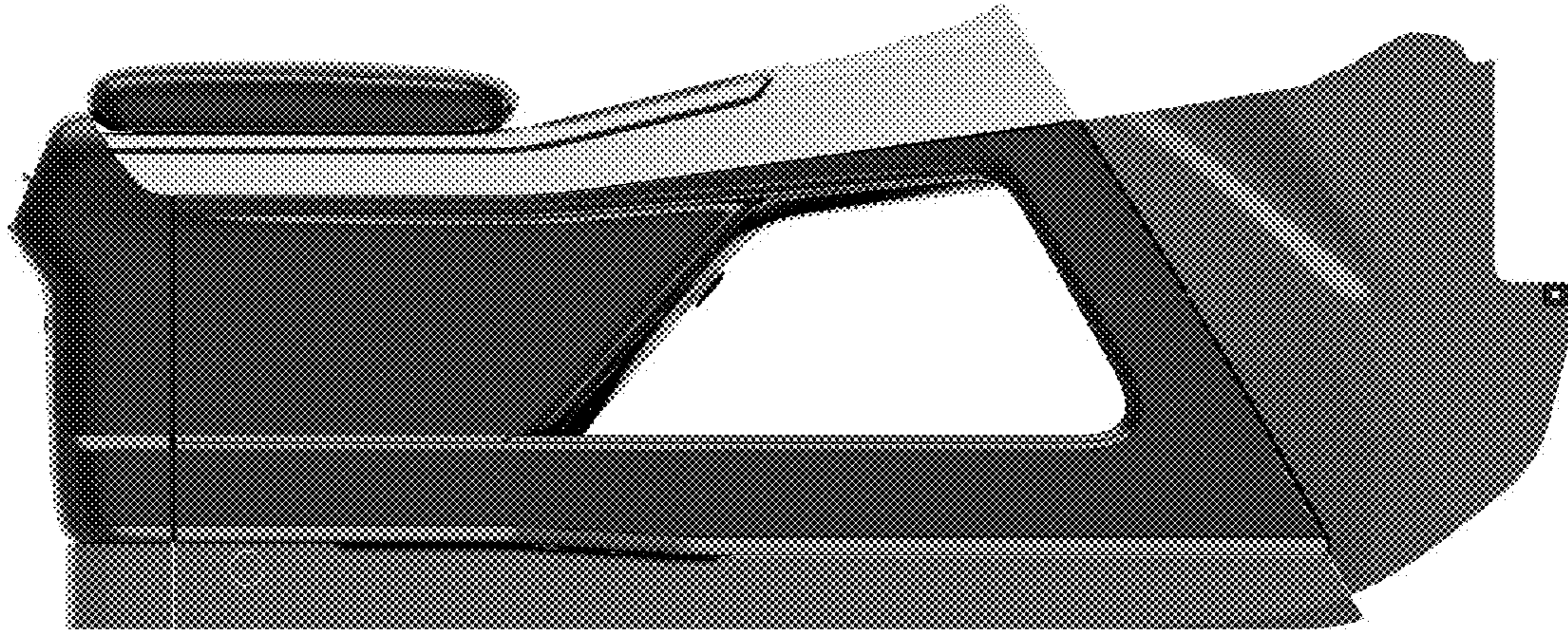


Figure 5

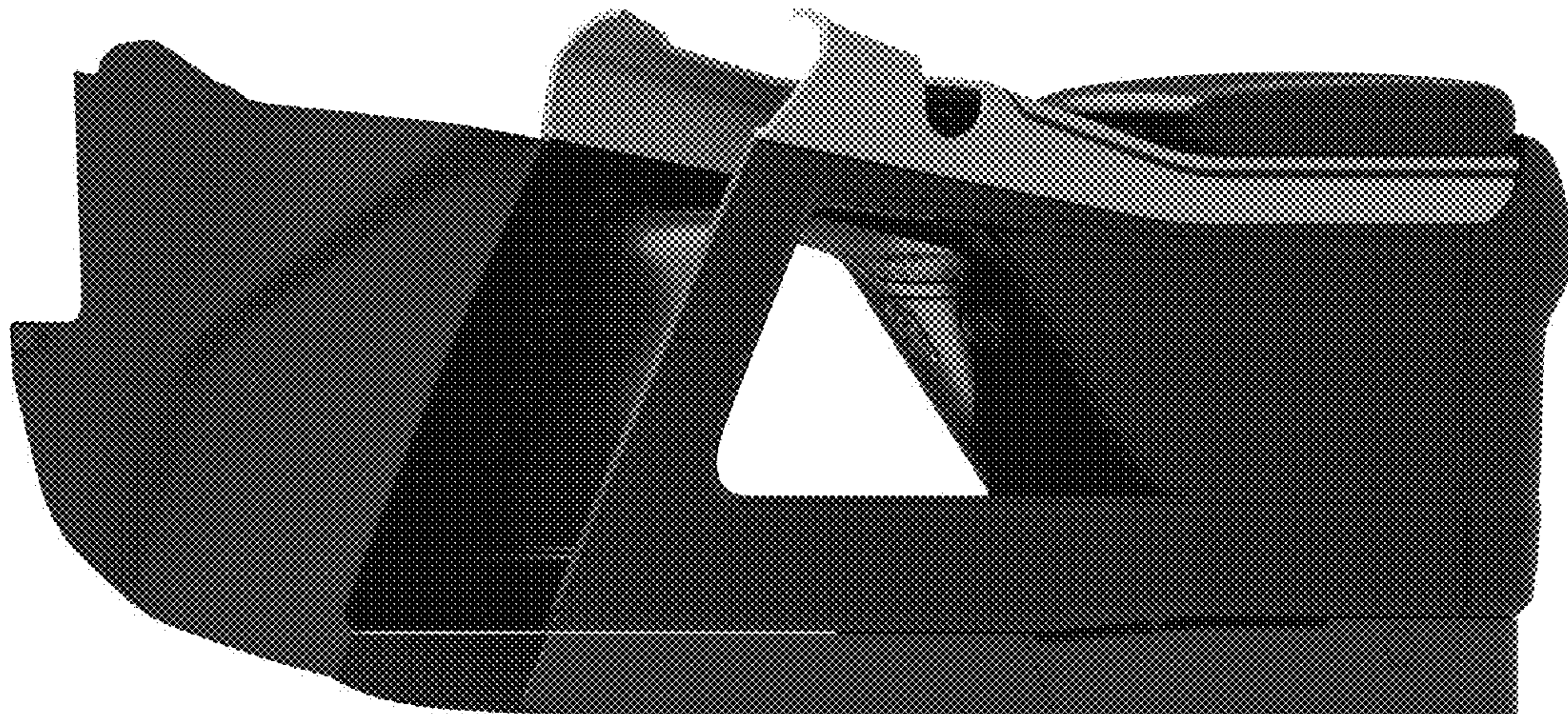


Figure 6

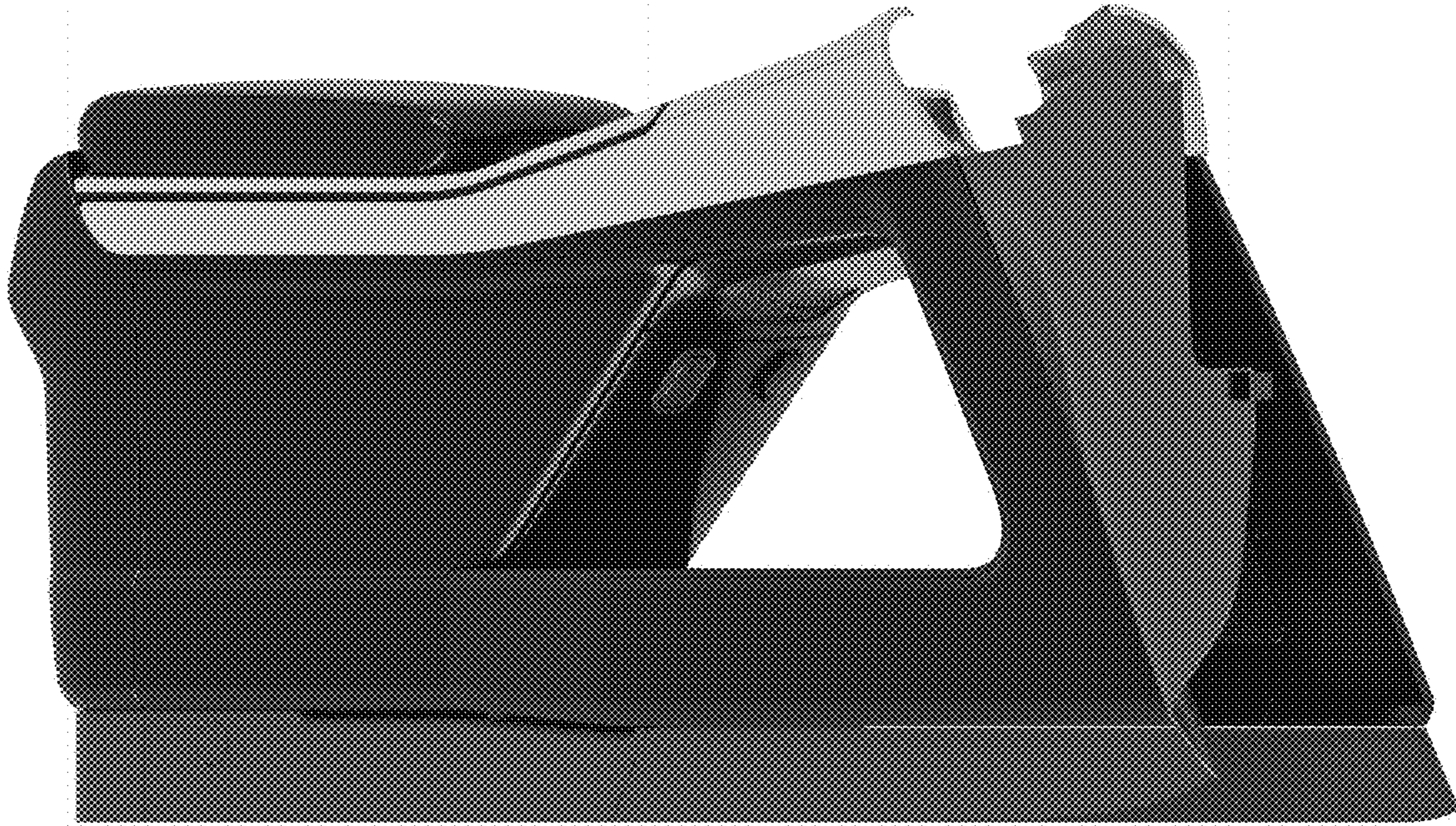


Figure 7

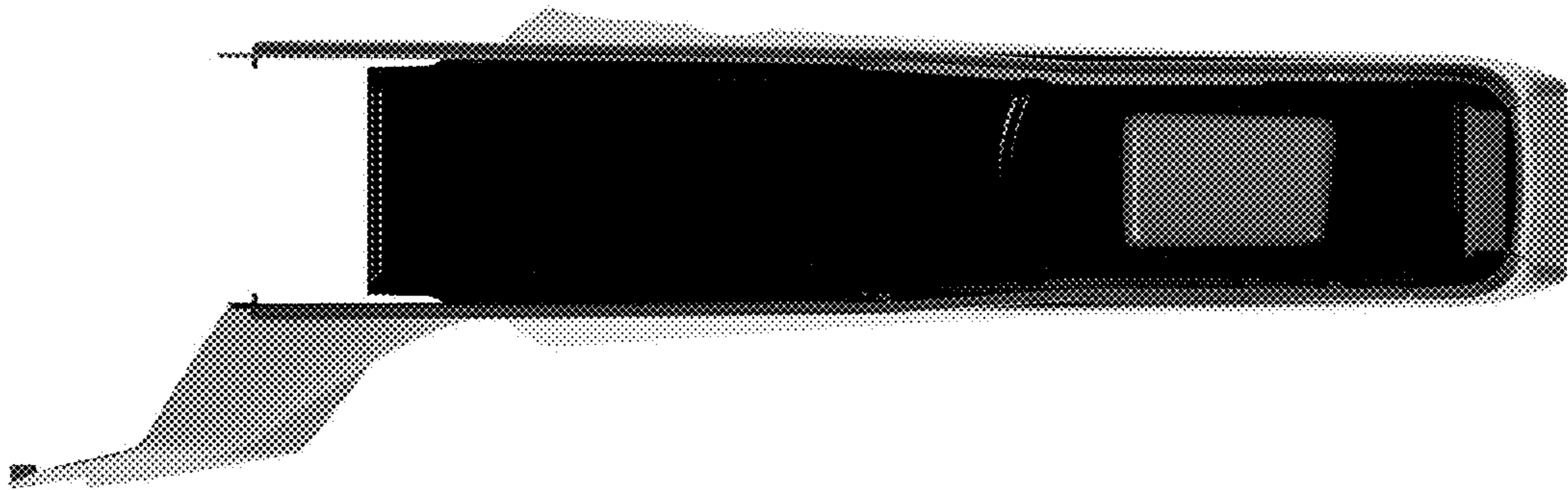


Figure 8