



US00D885305S

(12) **United States Design Patent**
Frater

(10) **Patent No.:** **US D885,305 S**

(45) **Date of Patent:** **** May 26, 2020**

(54) **ITEM HOLDER**

DESCRIPTION

(71) Applicant: **Maalkum Frater**, Calgary (CA)

(72) Inventor: **Maalkum Frater**, Calgary (CA)

(**) Term: **15 Years**

(21) Appl. No.: **29/673,681**

(22) Filed: **Dec. 17, 2018**

(30) **Foreign Application Priority Data**

Jun. 18, 2018 (CA) 181990

(51) **LOC (12) Cl.** **12-16**

(52) **U.S. Cl.**
USPC **D12/417**

(58) **Field of Classification Search**
USPC D12/415-426.1
CPC B64D 11/06; F16M 11/12; F16M 11/10
See application file for complete search history.

(56) **References Cited**

U.S. PATENT DOCUMENTS

5,503,316 A	4/1996	Stewart	
5,653,364 A	8/1997	Eskandry	
D479,503 S *	9/2003	Robinson	D12/417
D505,911 S *	6/2005	Huang	D12/417
D515,017 S *	2/2006	Feldman	D12/417
D519,915 S *	5/2006	Eskandry	D12/417
7,240,951 B2	7/2007	Willerton	
D567,741 S *	4/2008	Chalek	D12/417

(Continued)

Primary Examiner — Katrina A Betton

(57) **CLAIM**

The ornamental design for an item holder, as shown and described.

FIG. 1 is a top, front right side perspective view of an item holder according to the design in a connected configuration; the top, front left side perspective view is a mirror image of FIG. 1;

FIG. 2 is a rear plan view of the item holder of FIG. 1;

FIG. 3 is a front plan view of the item holder of FIG. 1;

FIG. 4 is a right side elevation view of the item holder of FIG. 1;

FIG. 5 is a left side elevation view of the item holder of FIG. 1;

FIG. 6 is a top plan view of the item holder of FIG. 1;

FIG. 7 is bottom plan view of the item holder of FIG. 1;

FIG. 8 is a front plan view of the item holder of FIG. 1 in use on a vehicle sun visor;

FIG. 9 is a rear plan view of the item holder of FIG. 1 in a disconnected configuration;

FIG. 10 is front plan view of the item holder of FIG. 1 in the disconnected configuration;

FIG. 11 is a top, front right side perspective view of an item holder according to a variation of the design in a connected configuration; the top, front left side perspective view is a mirror image of FIG. 11;

FIG. 12 is a rear plan view of the item holder of FIG. 11;

FIG. 13 is a front plan view of the item holder of FIG. 11;

FIG. 14 is a right side elevation view of the item holder of FIG. 11;

FIG. 15 is a left side elevation view of the item holder of FIG. 11;

FIG. 16 is a top plan view of the item holder of FIG. 11;

FIG. 17 is bottom plan view of the item holder of FIG. 11;

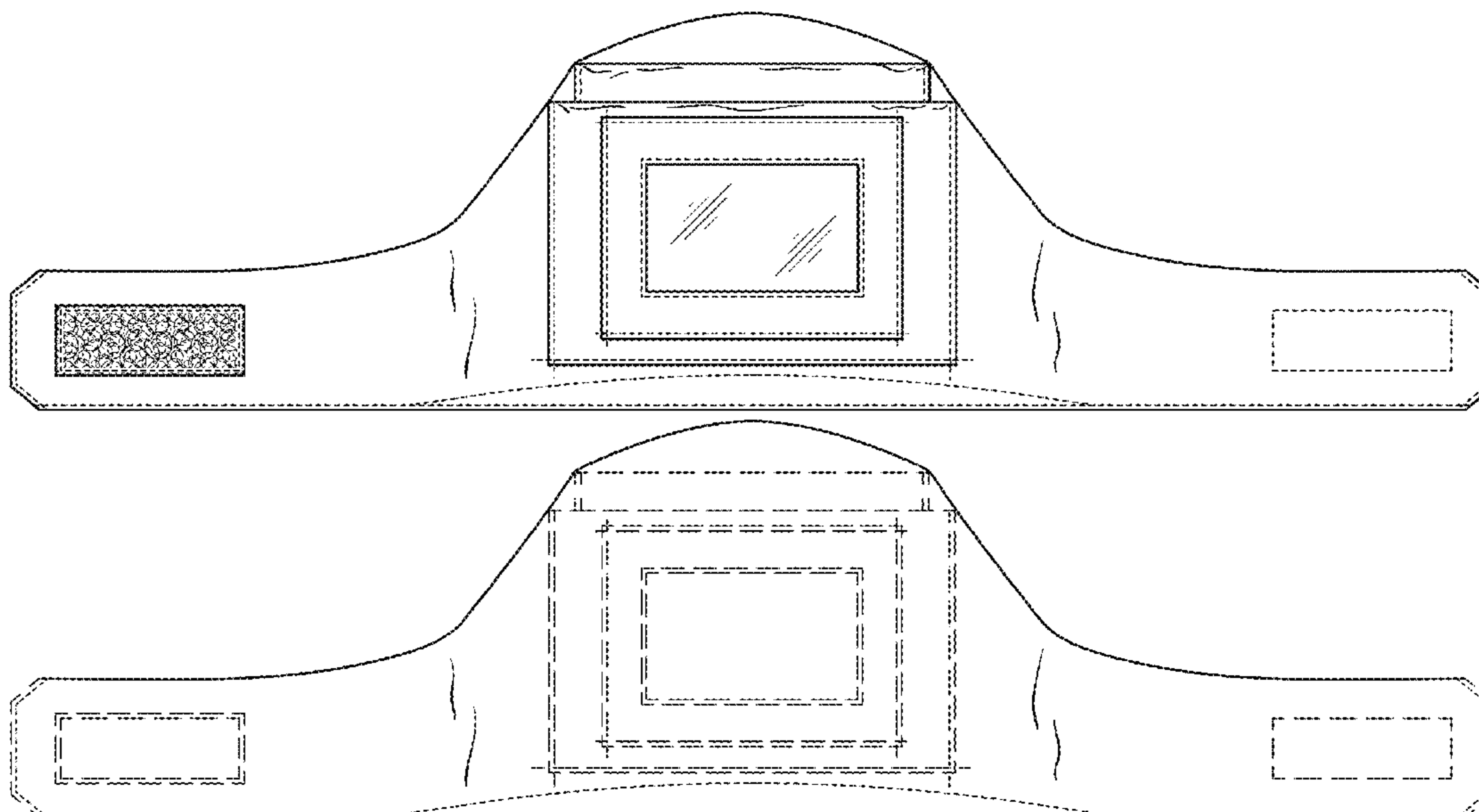
FIG. 18 is a front plan view of the item holder of FIG. 11 in use on a vehicle sun visor;

FIG. 19 is a rear plan view of the item holder of FIG. 11 in a disconnected configuration; and,

FIG. 20 is front plan view of the item holder of FIG. 11 in the disconnected configuration.

The broken lines illustrate portions of the item holder that form no part of the claimed design.

1 Claim, 10 Drawing Sheets



(56)

References Cited

U.S. PATENT DOCUMENTS

D582,696	S	*	12/2008	Kim	D12/417
D609,626	S	*	2/2010	Murphy	D12/417
D628,532	S	*	12/2010	Niu	D12/417
D658,114	S	*	4/2012	Gammelgard	D12/417
8,561,865	B2		10/2013	Mantis	
D695,208	S	*	12/2013	Stroud	D12/417
D728,218	S	*	5/2015	Goldstein	D12/417
D870,646	S	*	12/2019	Arnold	D12/417
2007/0029360	A1		2/2007	Connelly et al.	
2017/0166136	A1		6/2017	Jones	

* cited by examiner

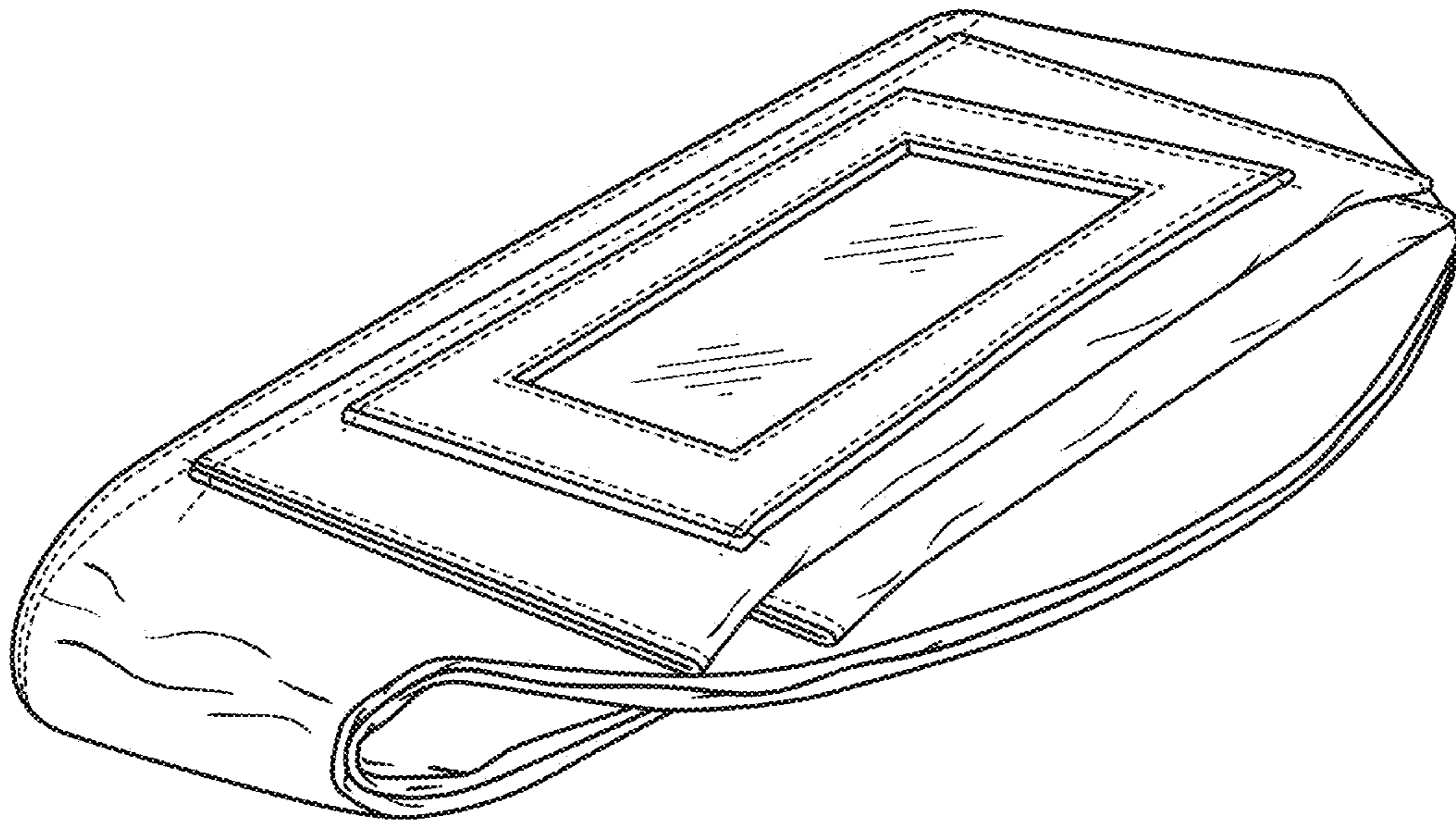


FIG. 1

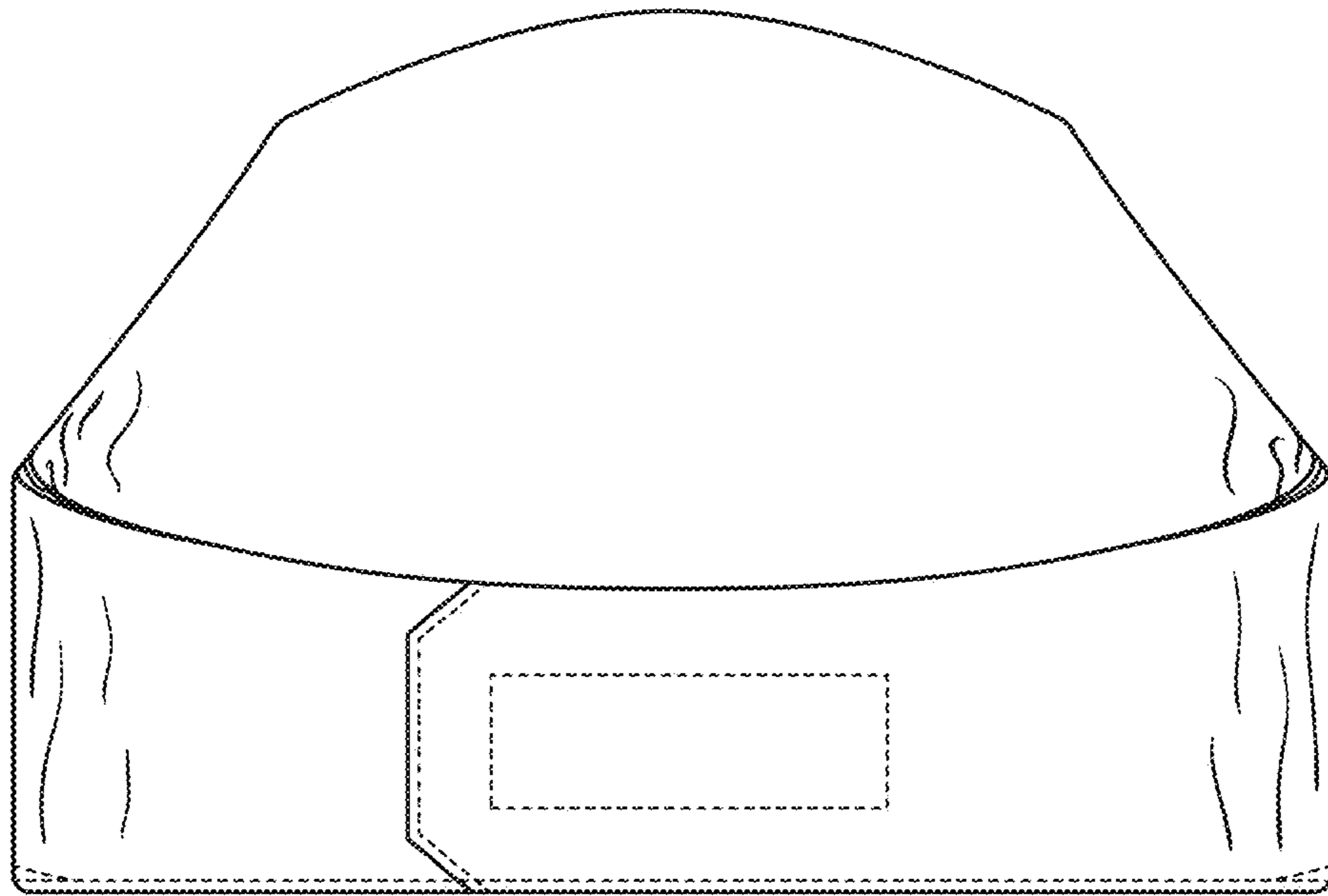


FIG. 2

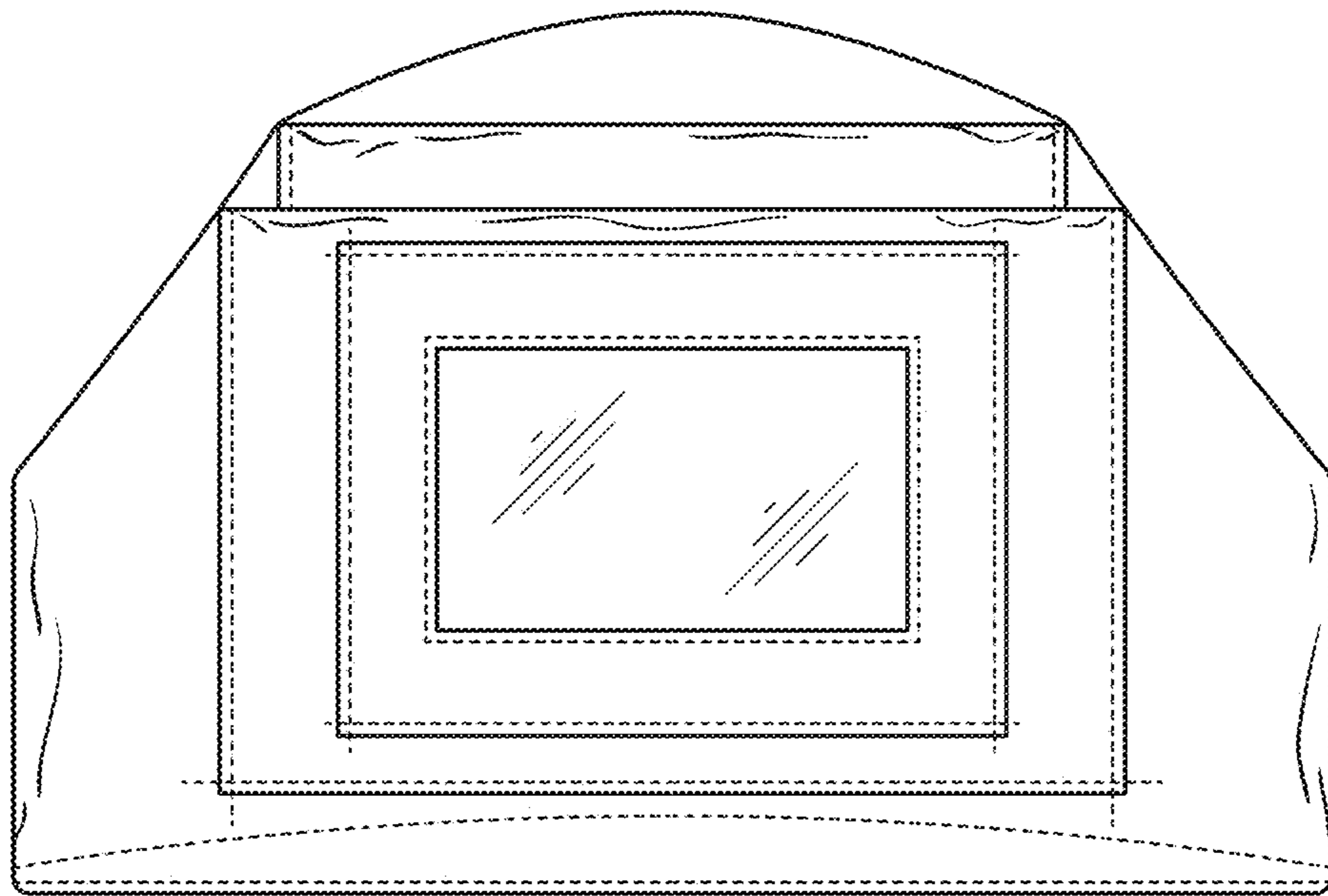


FIG. 3

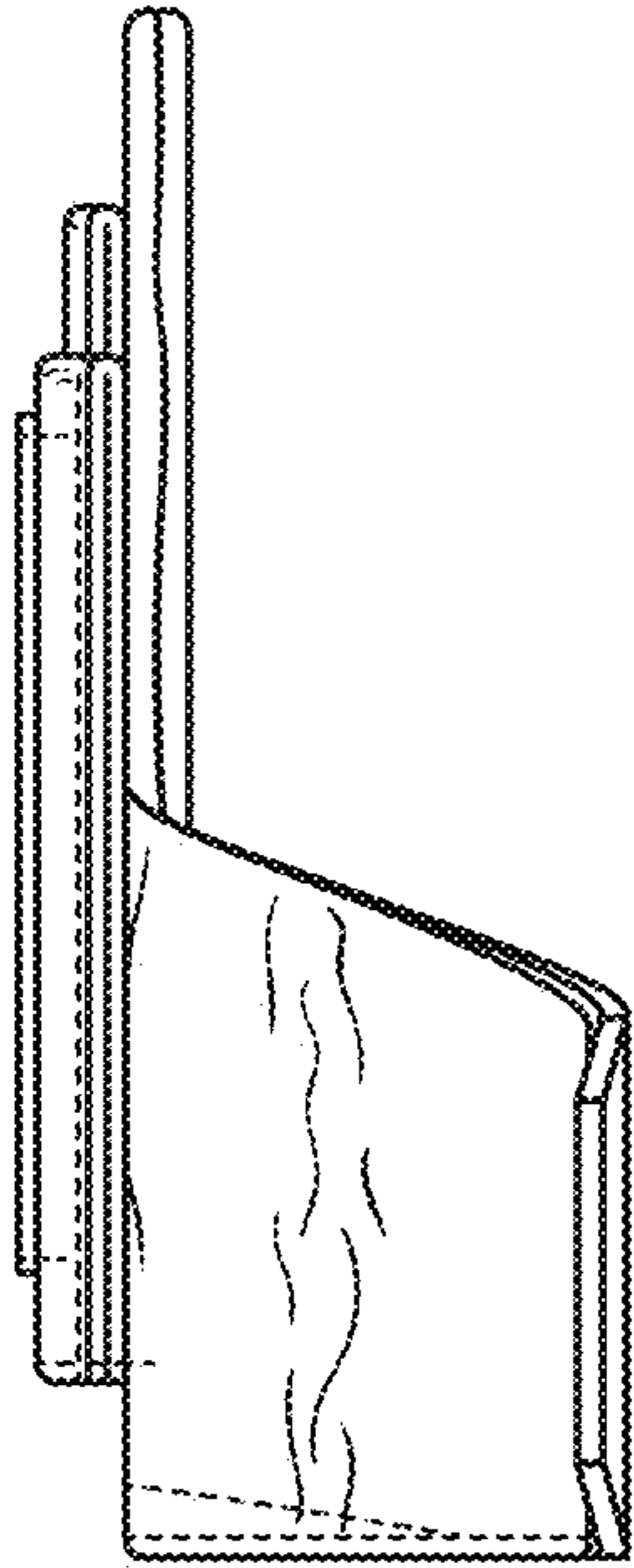


FIG. 4

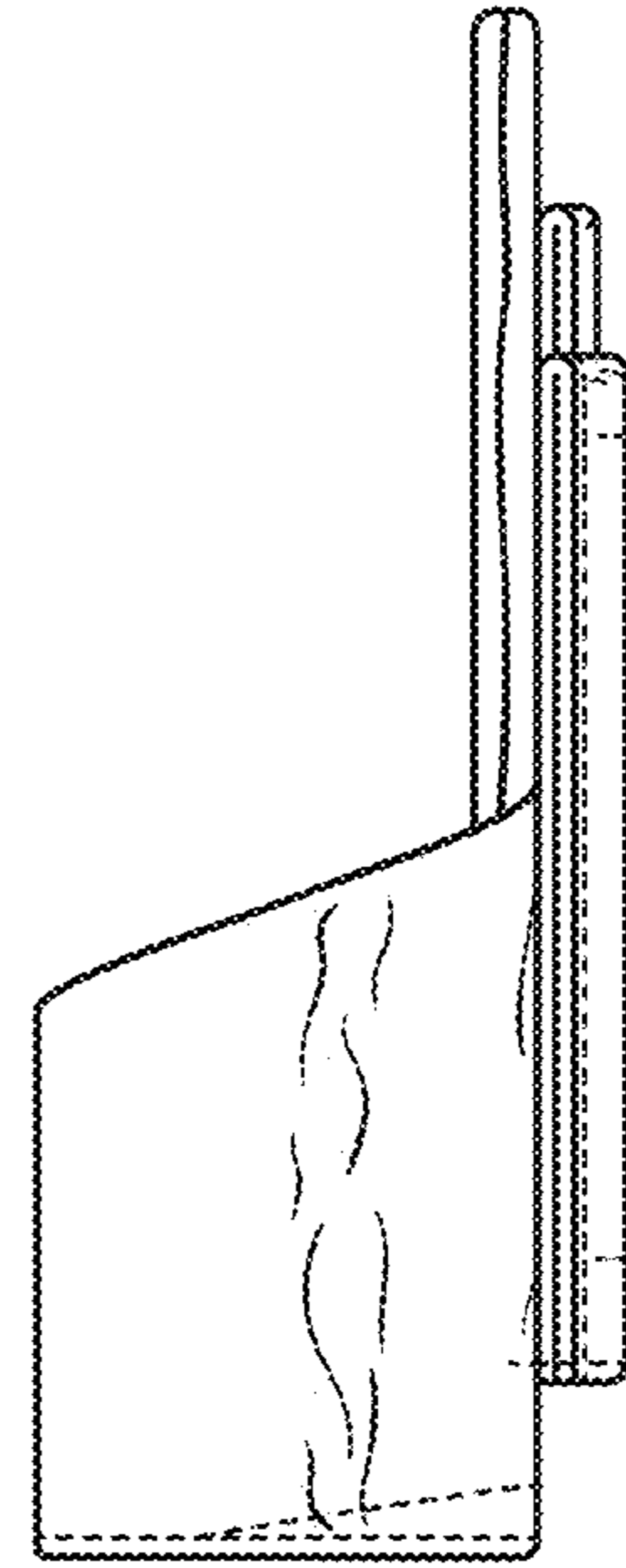


FIG. 5



FIG. 6



FIG. 7

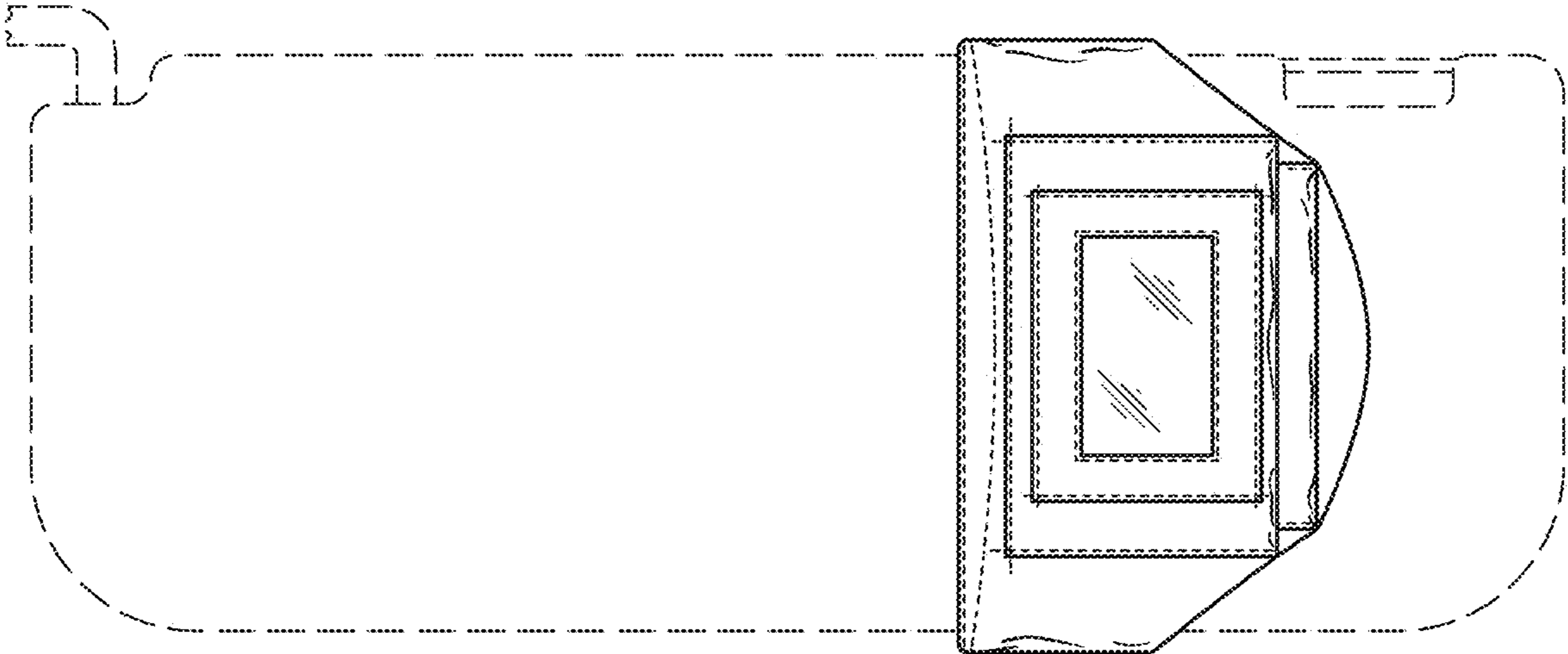


FIG. 8

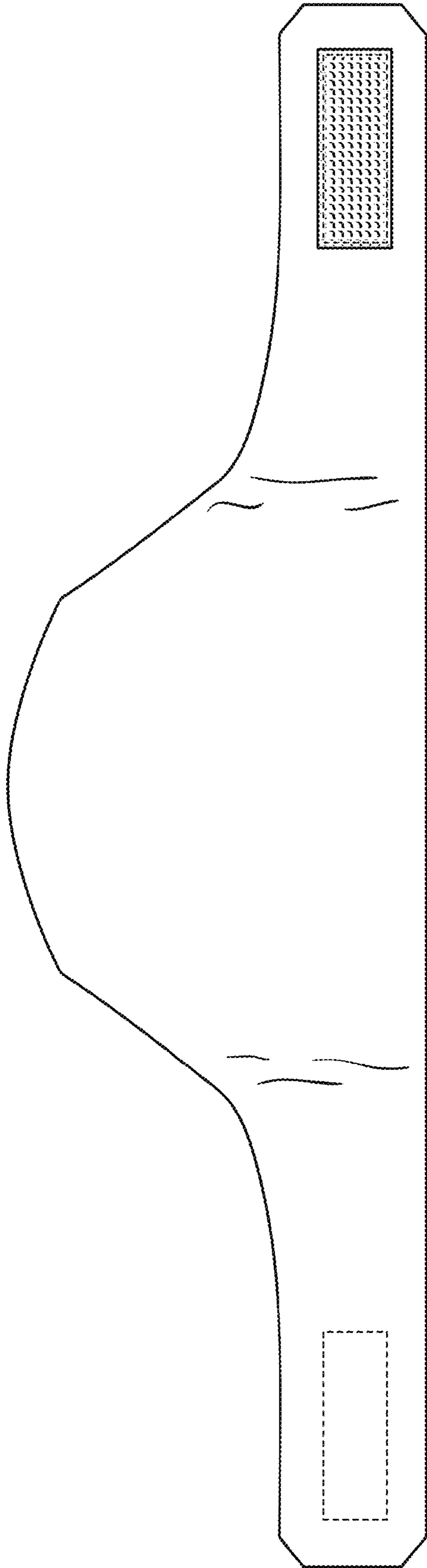


FIG. 9

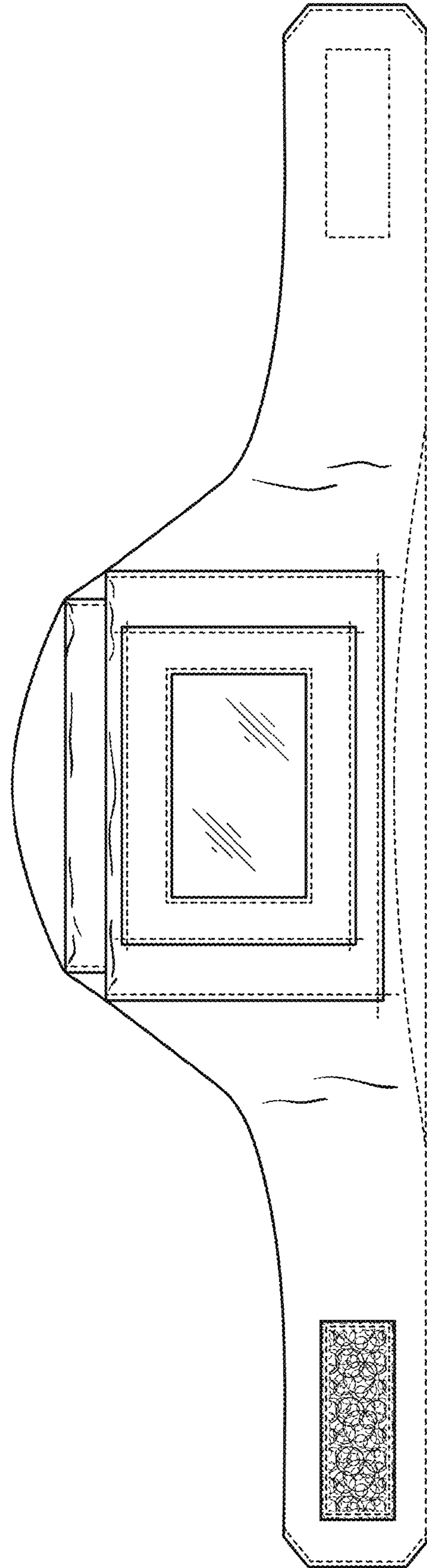


FIG. 10

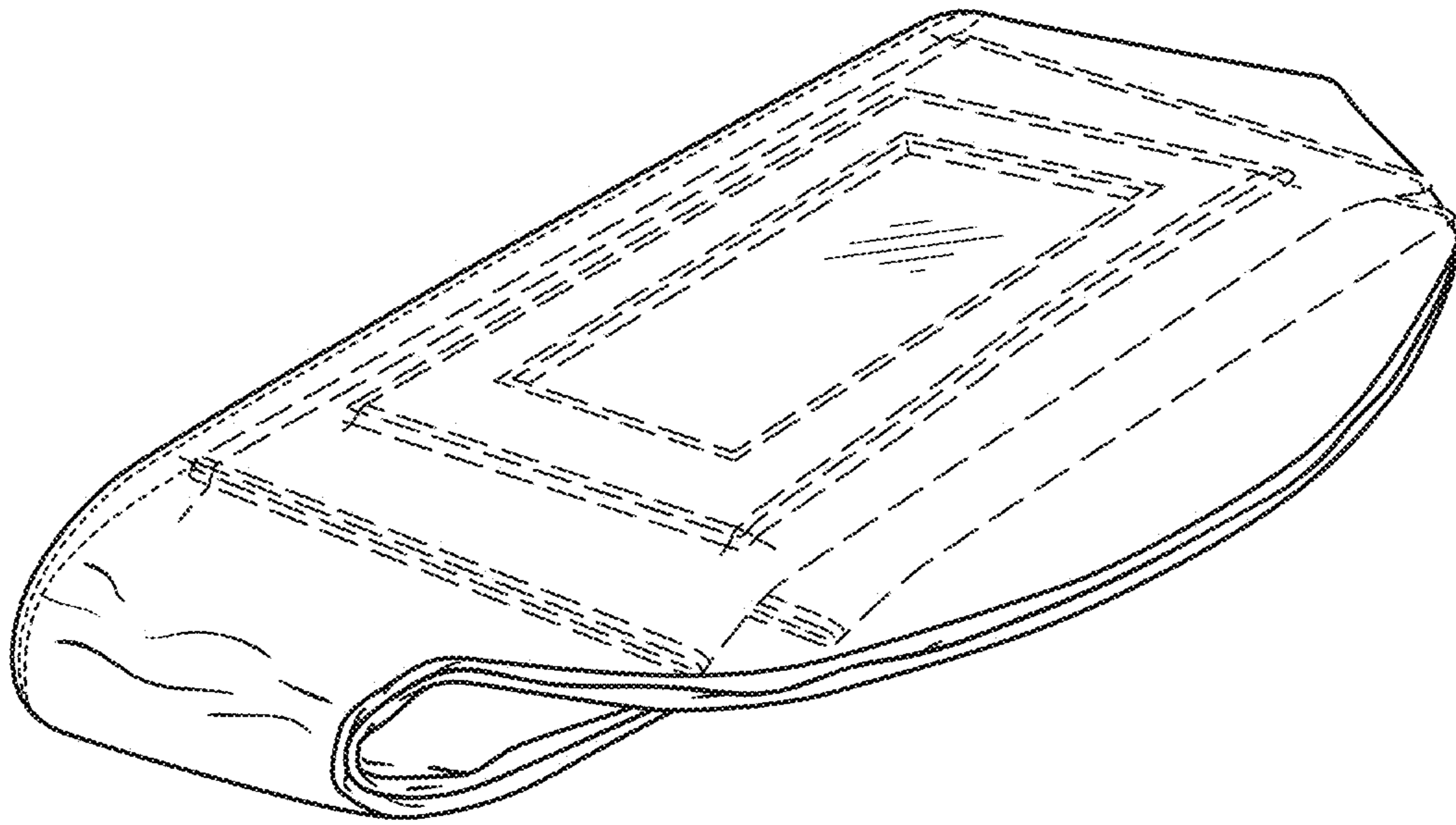


FIG. 11

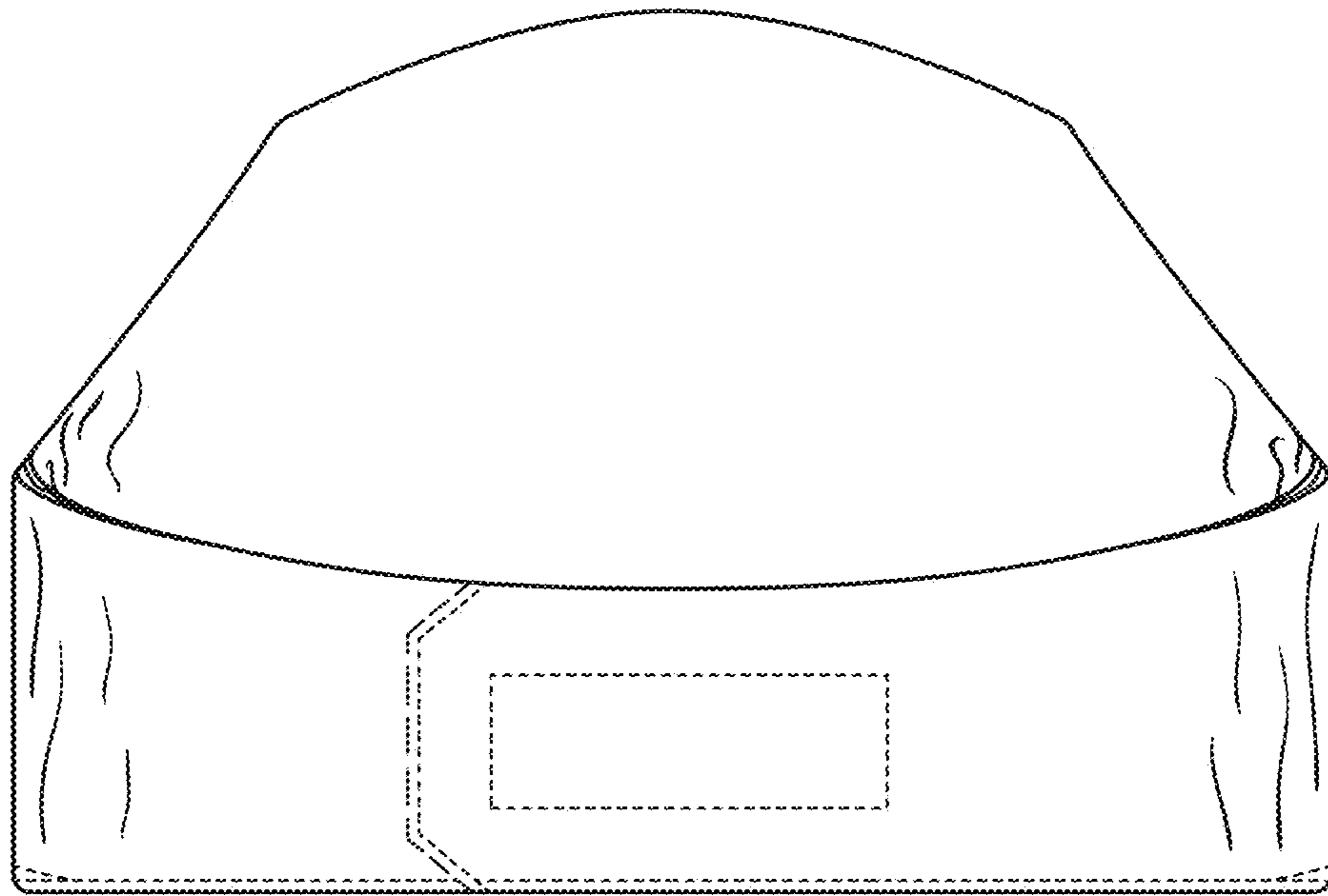


FIG. 12

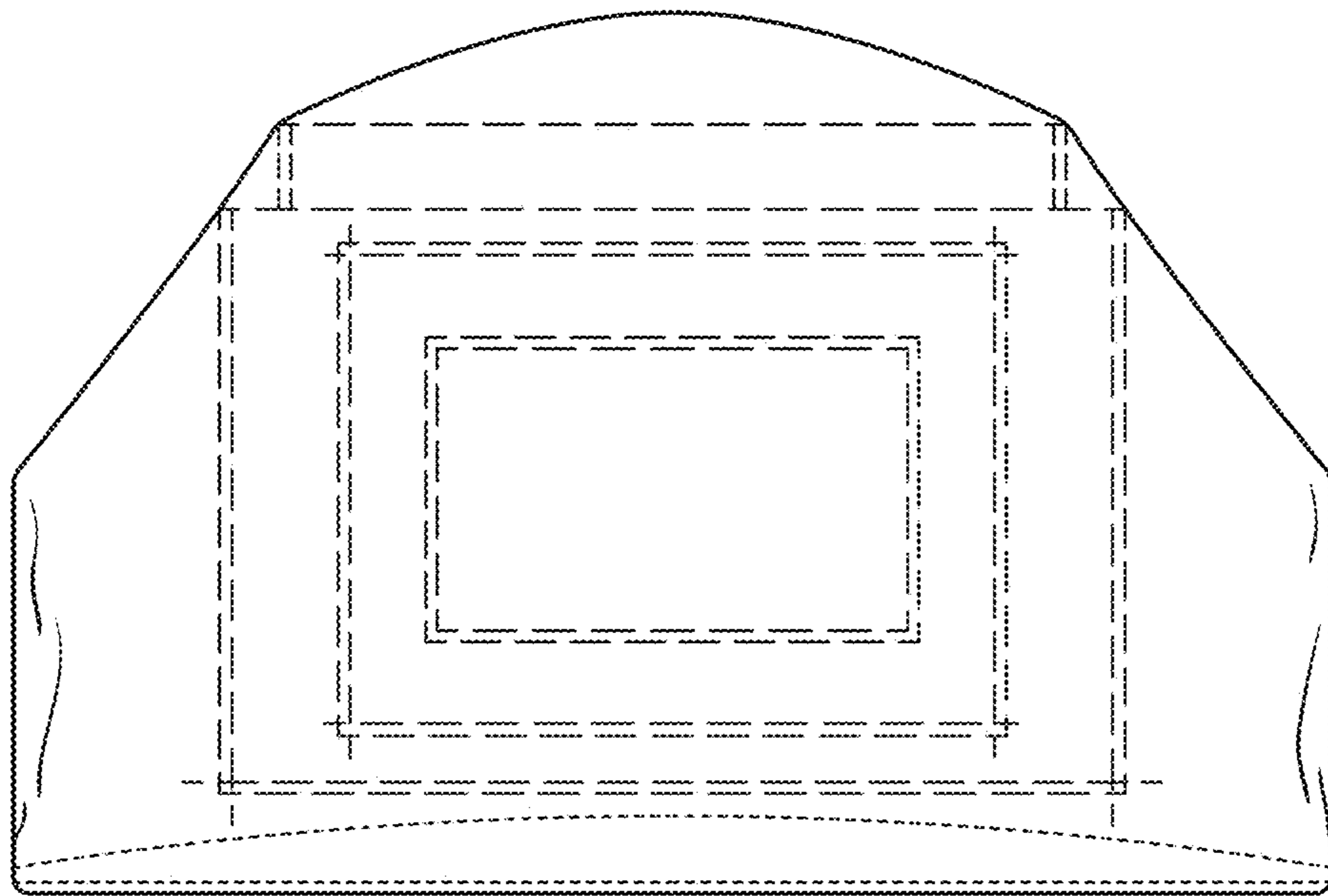


FIG. 13

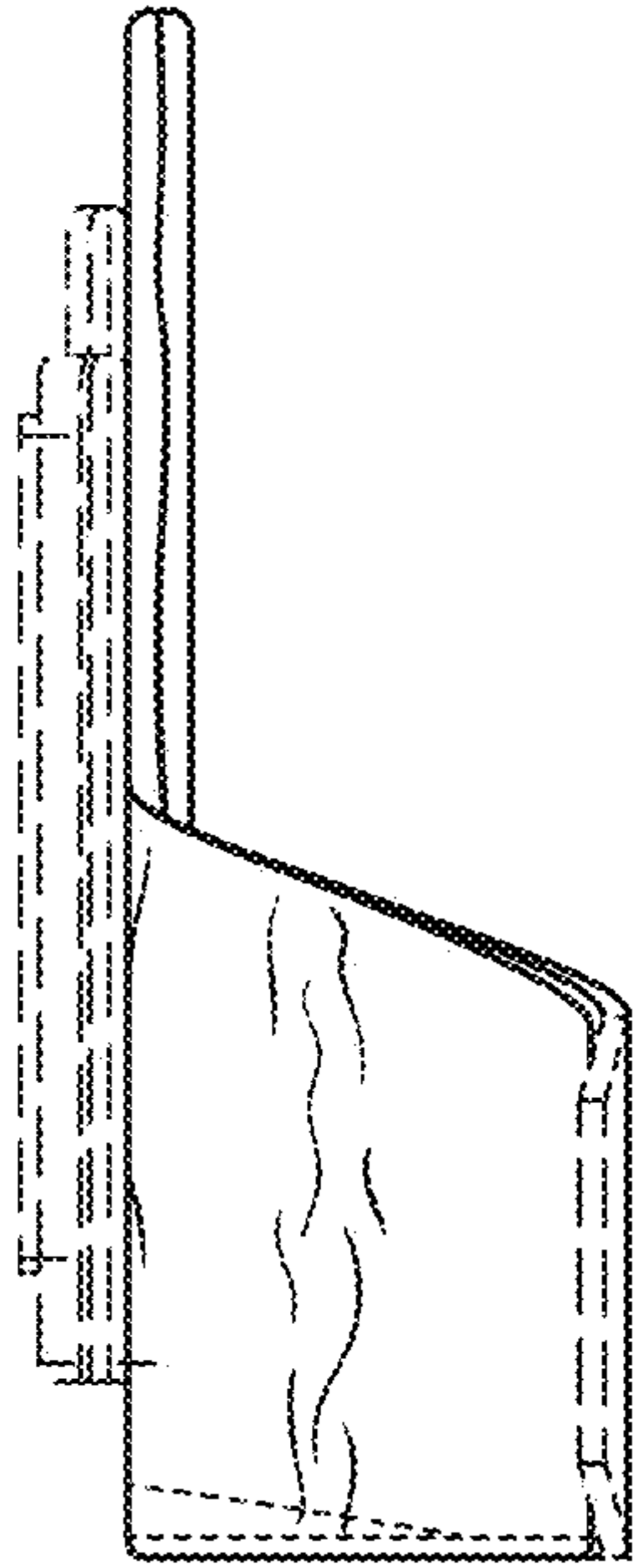


FIG. 14

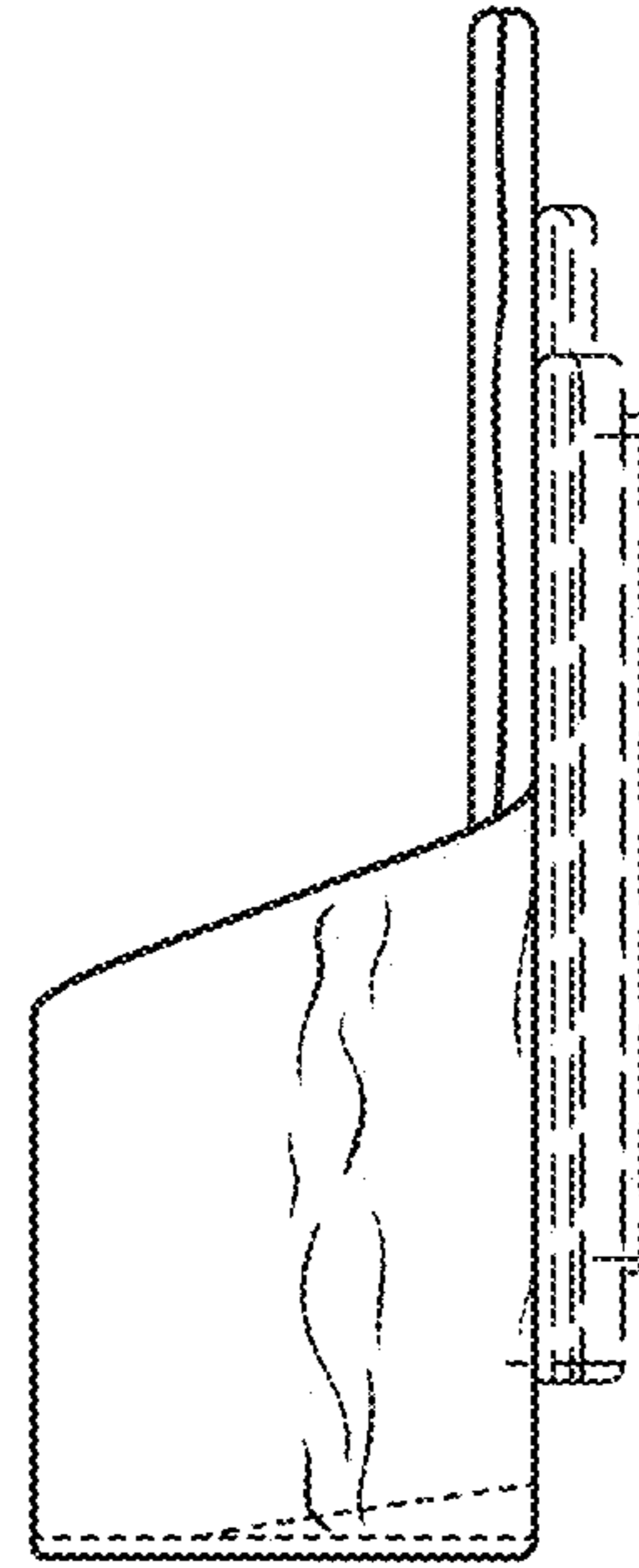


FIG. 15

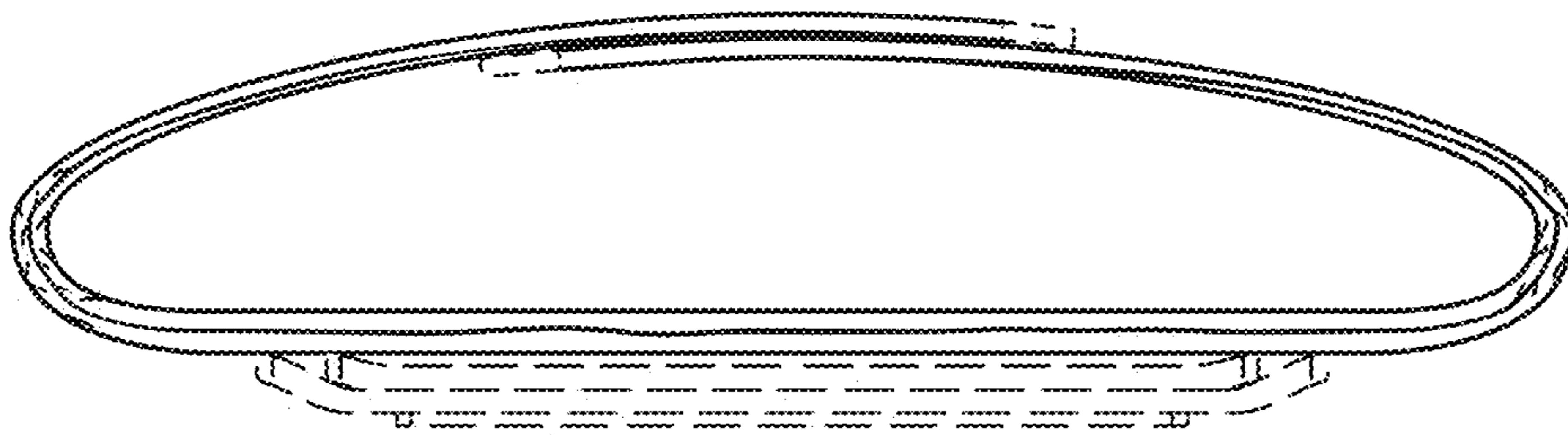


FIG. 16

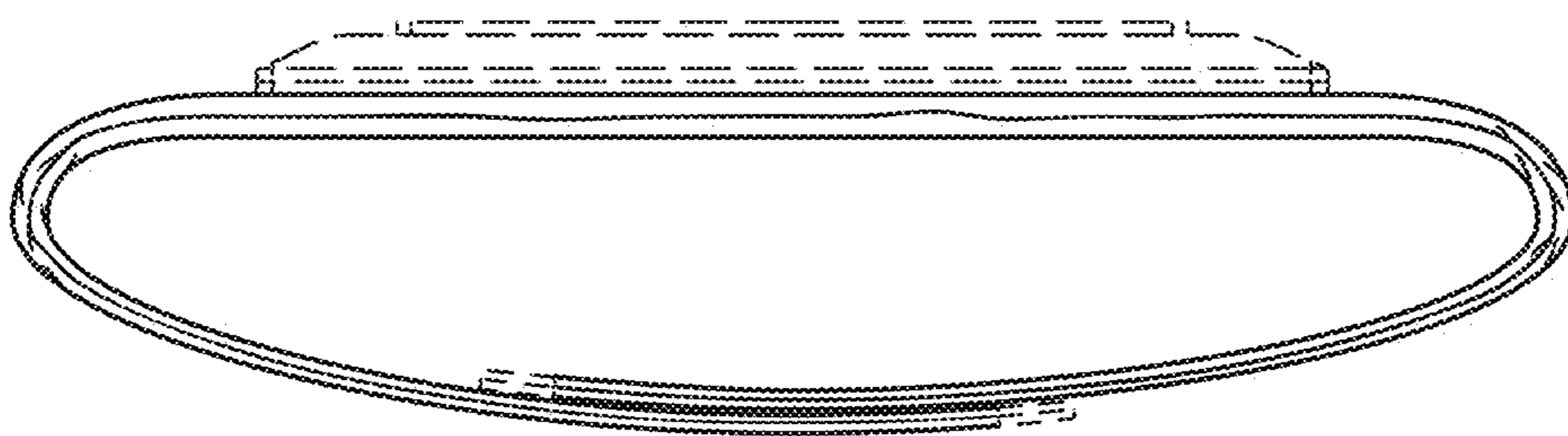


FIG. 17

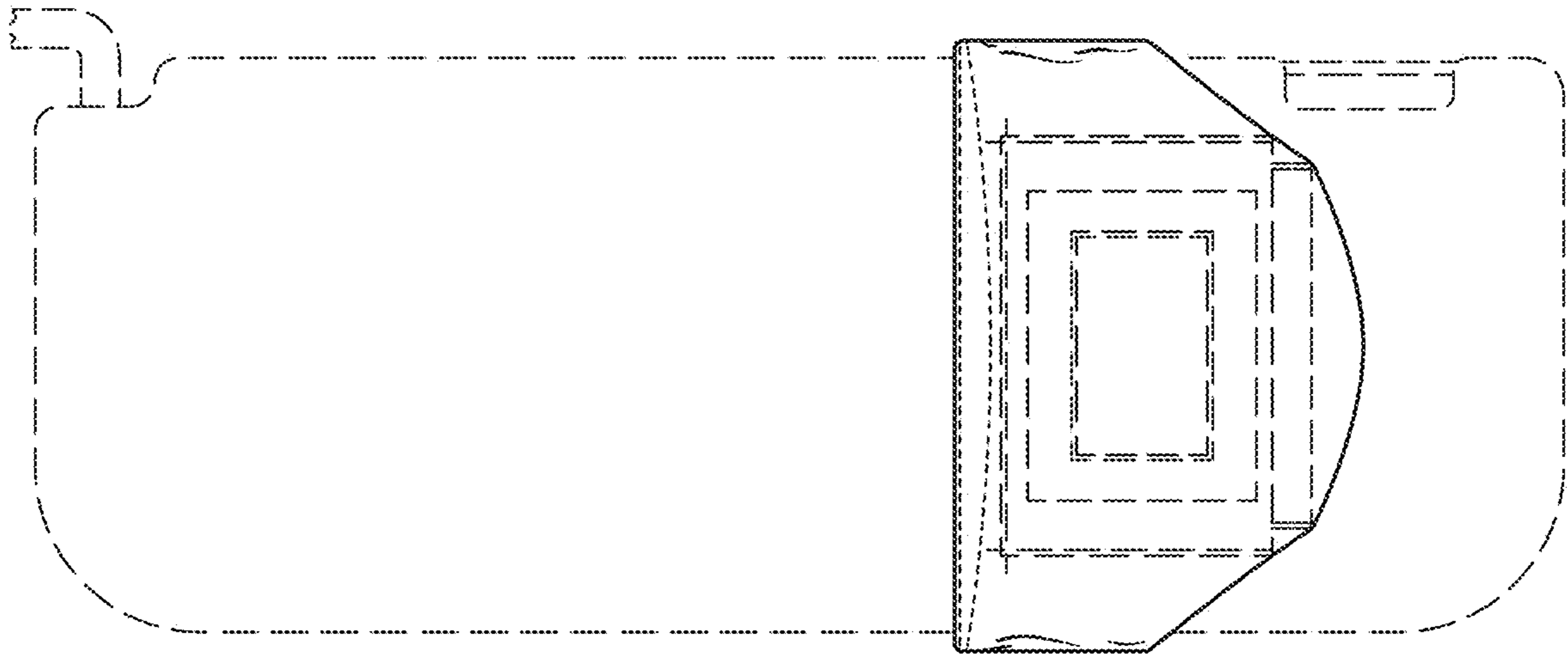


FIG. 18

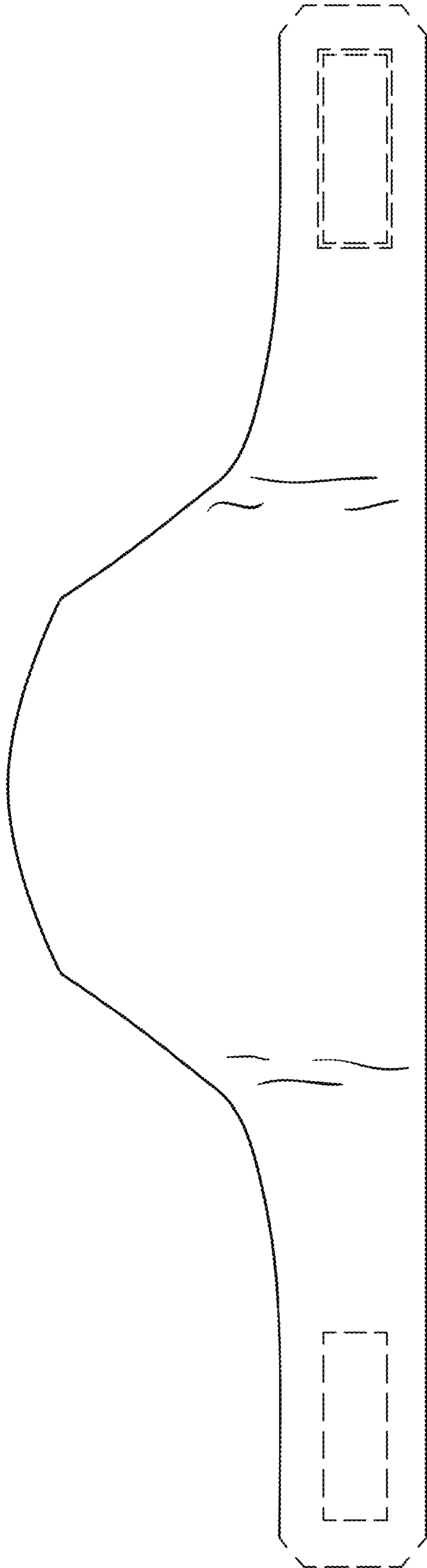


FIG. 19

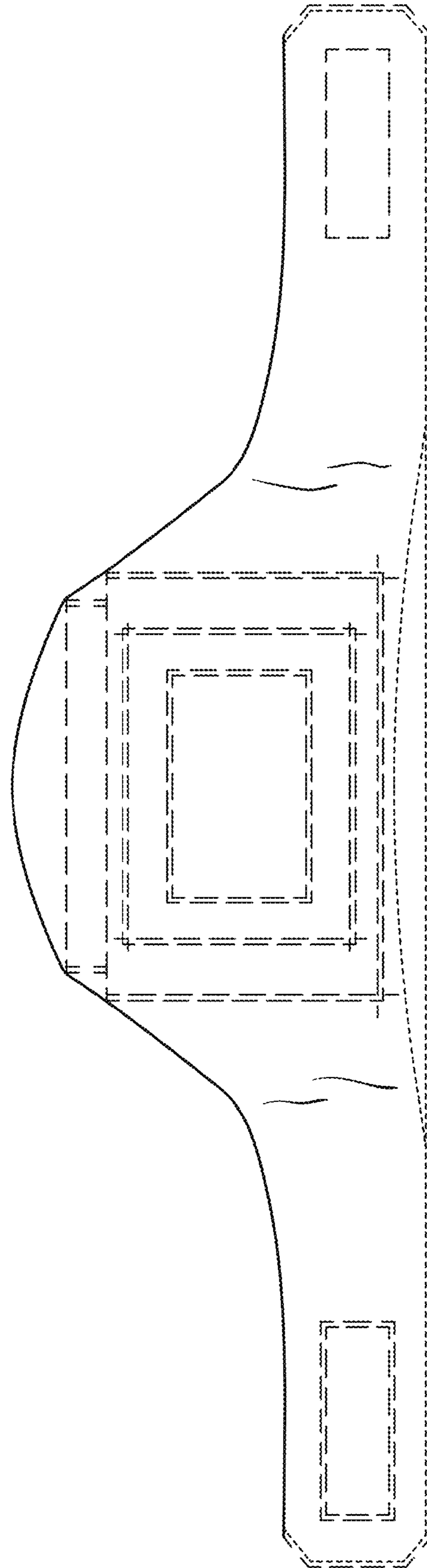


FIG. 20