



US00D885303S

(12) **United States Design Patent**
McMath

(10) **Patent No.:** **US D885,303 S**

(45) **Date of Patent:** **** May 26, 2020**

(54) **TIRE CARRIER GATE**

(71) Applicant: **Robert Roy McMath**, Riverside, CA
(US)

(72) Inventor: **Robert Roy McMath**, Riverside, CA
(US)

(**) Term: **15 Years**

(21) Appl. No.: **29/677,984**

(22) Filed: **Jan. 24, 2019**

(51) **LOC (12) Cl.** **12-16**

(52) **U.S. Cl.**
USPC **D12/406**

(58) **Field of Classification Search**
USPC D12/401-414; D6/610-611
CPC B60R 9/00; B60R 9/02; B60R 9/04; B60R
9/08; B60R 9/042; B60R 9/0423; B60R
9/0426; B60R 9/045; B60R 9/048; B60R
9/0485; B60R 9/05; B60R 9/052; B60R
9/055; B60R 9/058; B60R 9/06; B60R
9/065; B60R 9/10; B60R 9/12

See application file for complete search history.

(56) **References Cited**

U.S. PATENT DOCUMENTS

D632,634 S * 2/2011 Clausen D12/406
D713,775 S * 9/2014 Lagermann D12/406
D713,776 S * 9/2014 Steady B60R 9/06
D12/406
D743,870 S * 11/2015 Galley D12/406

D754,055 S * 4/2016 Harrison D12/406
D841,564 S * 2/2019 Sartin D12/406
D845,872 S * 4/2019 Monroe D12/406
10,427,731 B2 * 10/2019 Favero B62D 33/0273
2009/0001109 A1 * 1/2009 Wilkins B60D 1/58
224/42.21
2014/0308101 A1 * 10/2014 Brutsaert B60R 9/06
414/462
2019/0315422 A1 * 10/2019 Maffe' B62J 7/06

* cited by examiner

Primary Examiner — Katrina A Betton

(74) *Attorney, Agent, or Firm* — Curtis L. Harrington;
Harrington & Harrington

(57) **CLAIM**

The ornamental design for a tire carrier gate, as shown and described.

DESCRIPTION

FIG. 1 is a rear side perspective view of a tire carrier gate, in use condition showing my new design; FIG. 2 is a right side elevation view thereof; FIG. 3 is a left side elevation view thereof; FIG. 4 is a top plan view thereof; FIG. 5 is a bottom plan view thereof; FIG. 6 is a rear elevation view thereof; and, FIG. 7 is a front elevation view thereof.

The dash-dash even broken lines illustrate and surround portions of the tire carrier gate that form no part of the claimed design. The dash-dot-dot broken lines shown in the drawings illustrate vehicle environmental subject matter which forms no part of the claimed design.

1 Claim, 3 Drawing Sheets

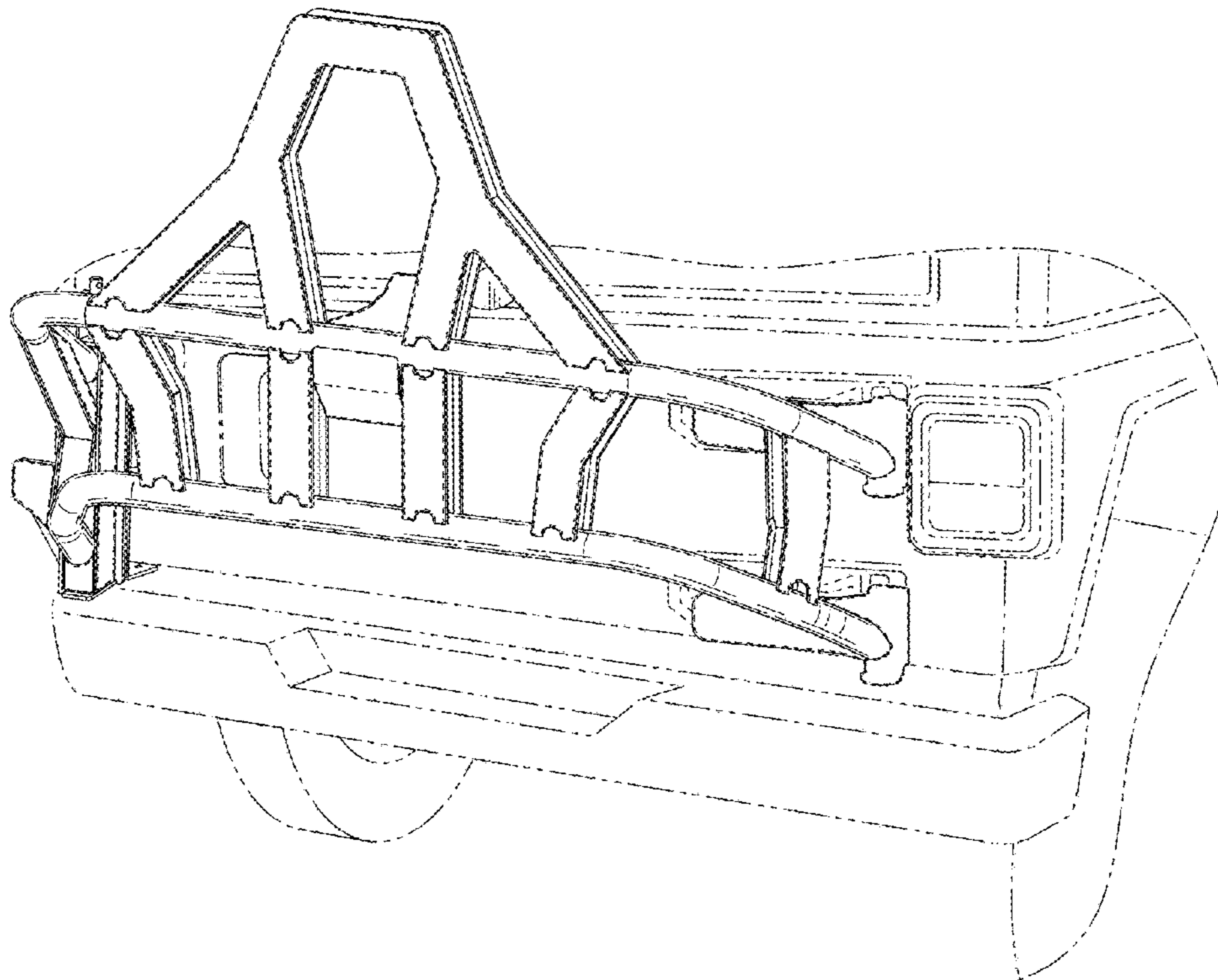


Fig. 1

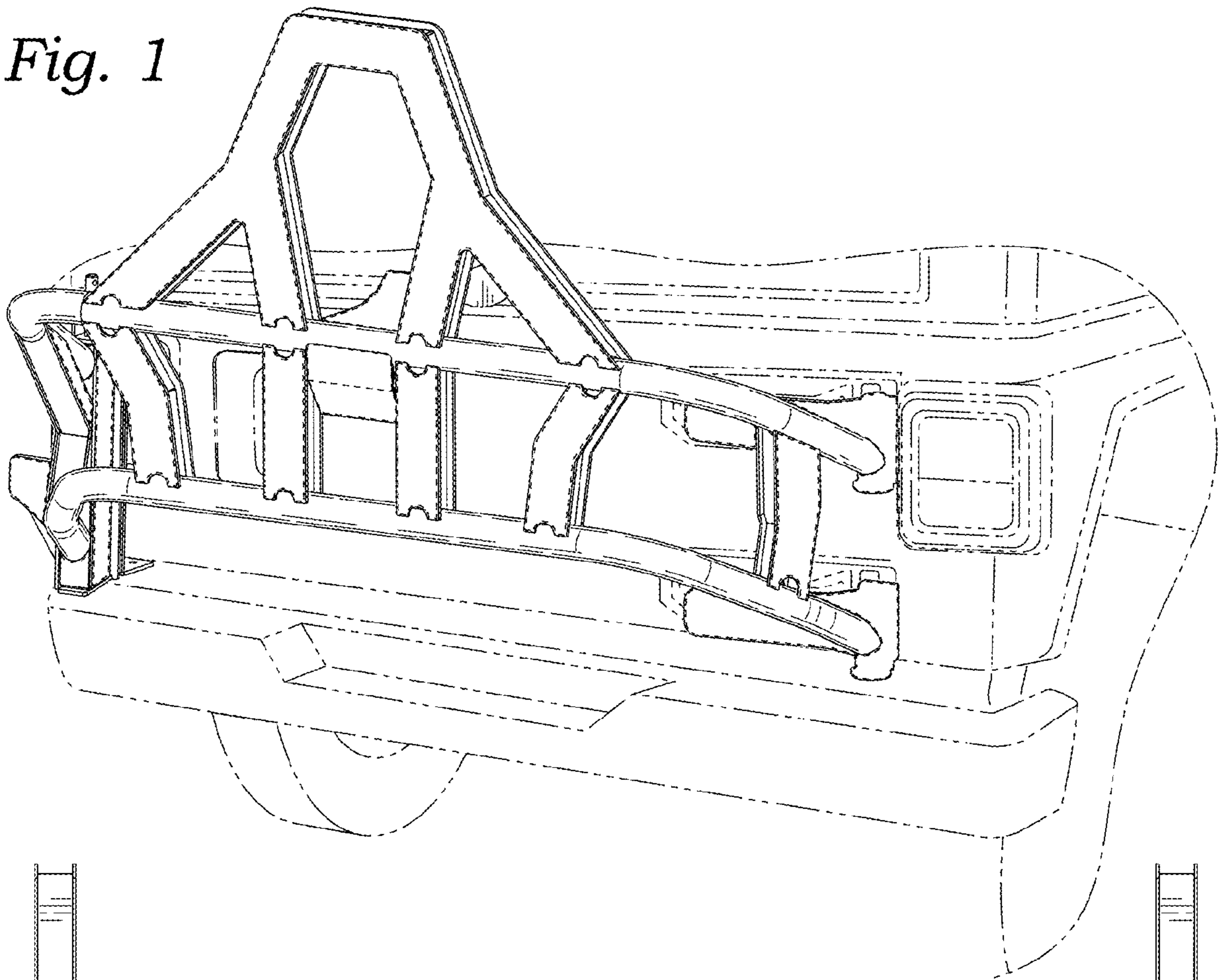


Fig. 2

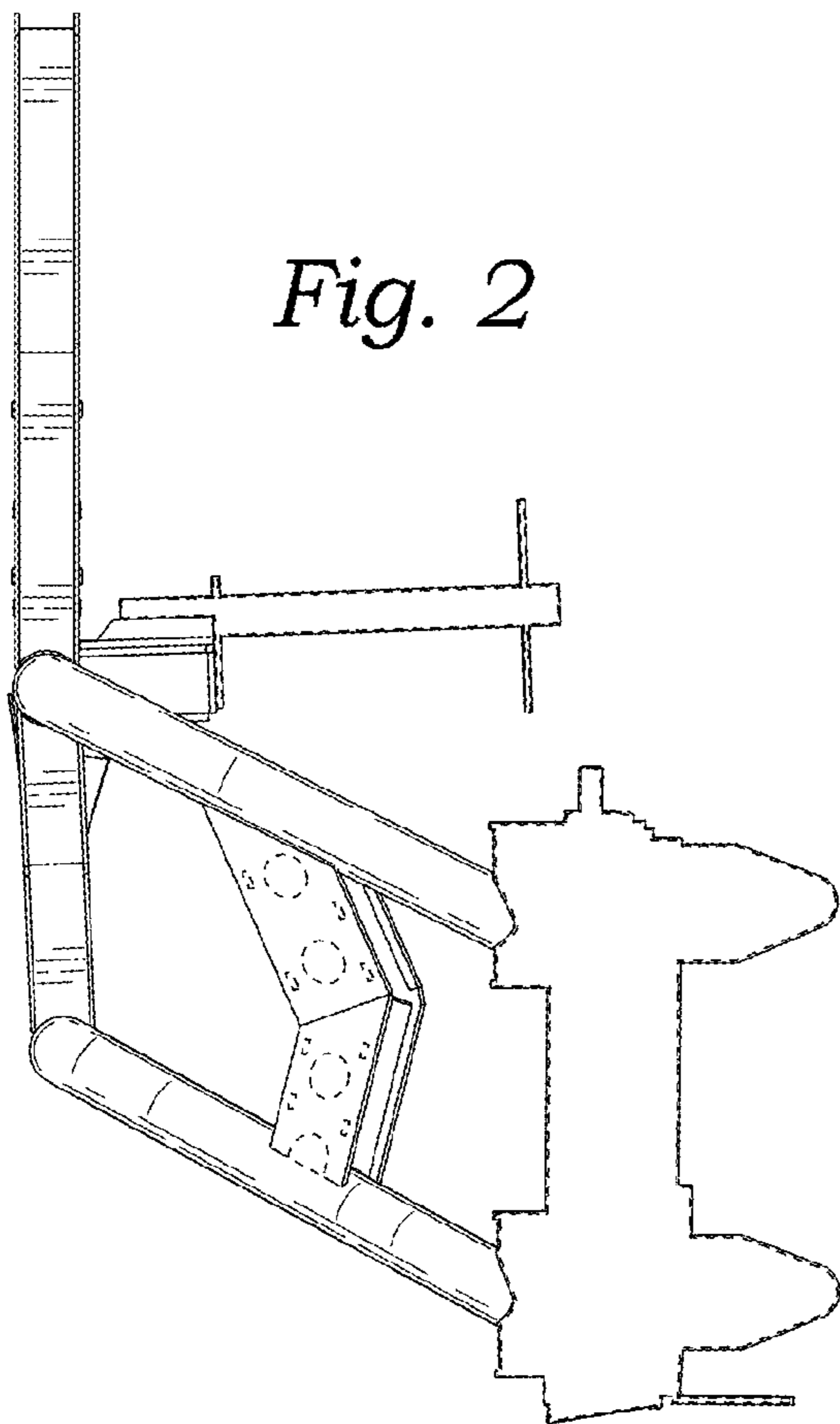


Fig. 3

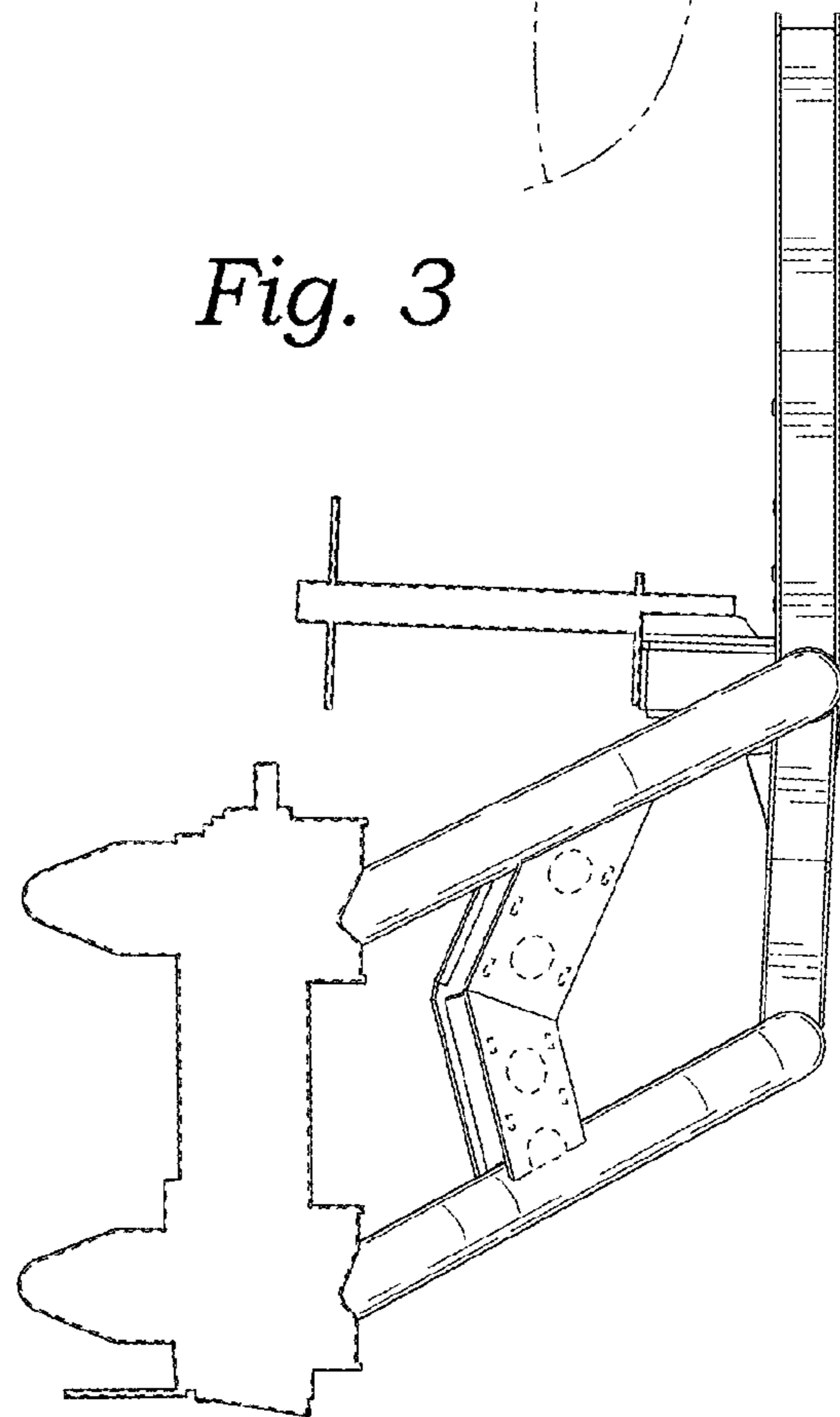


Fig. 4

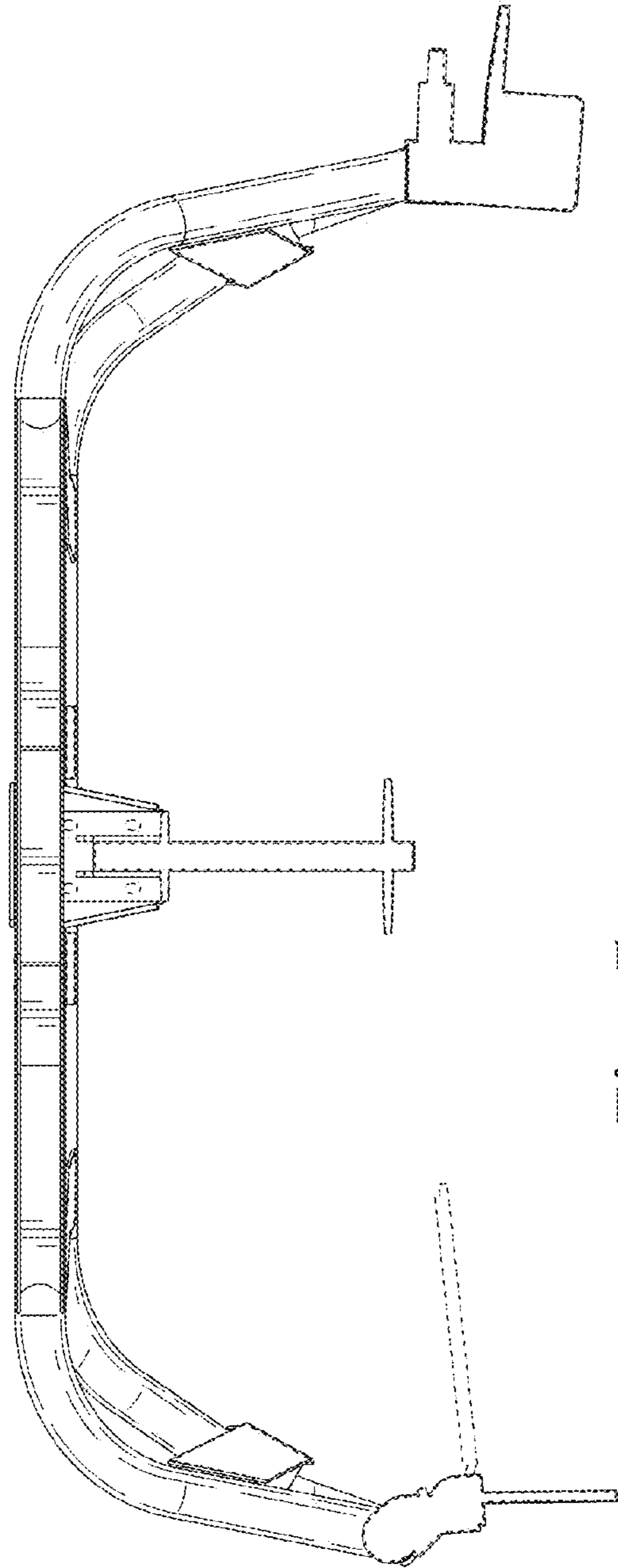


Fig. 5

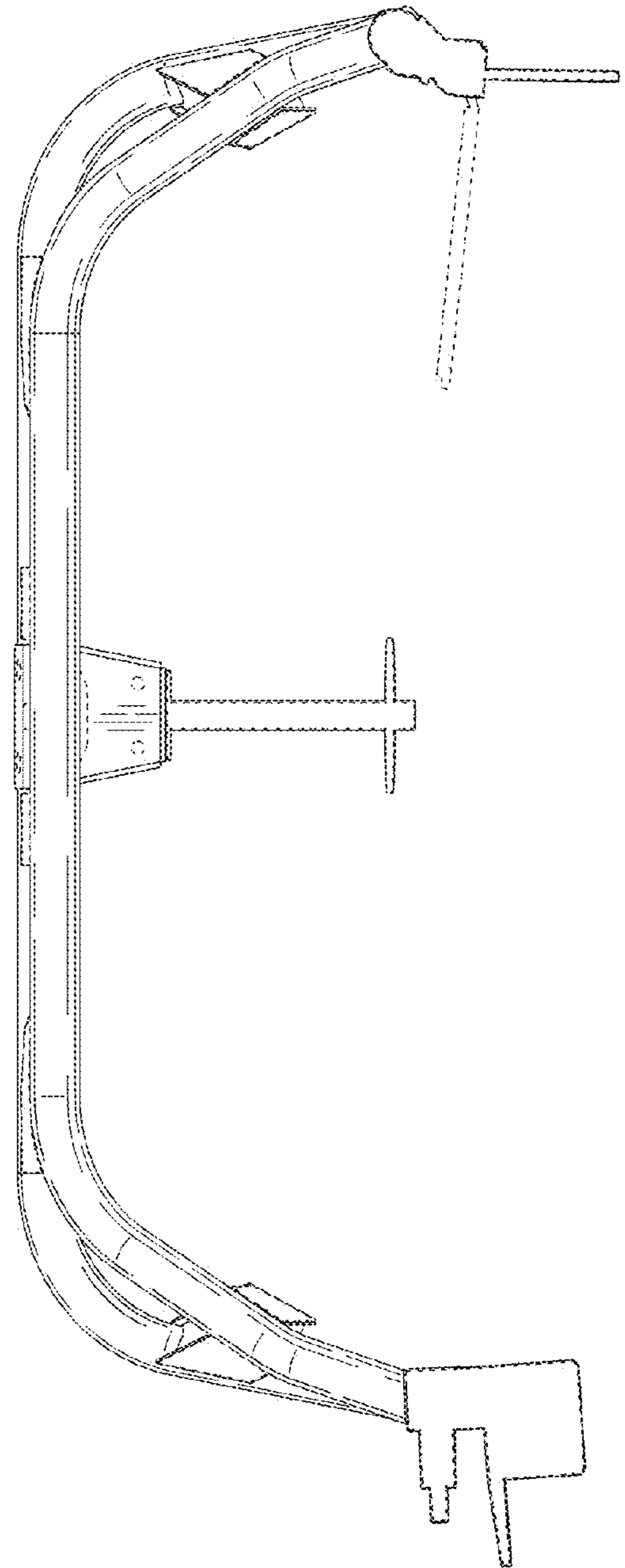


Fig. 6

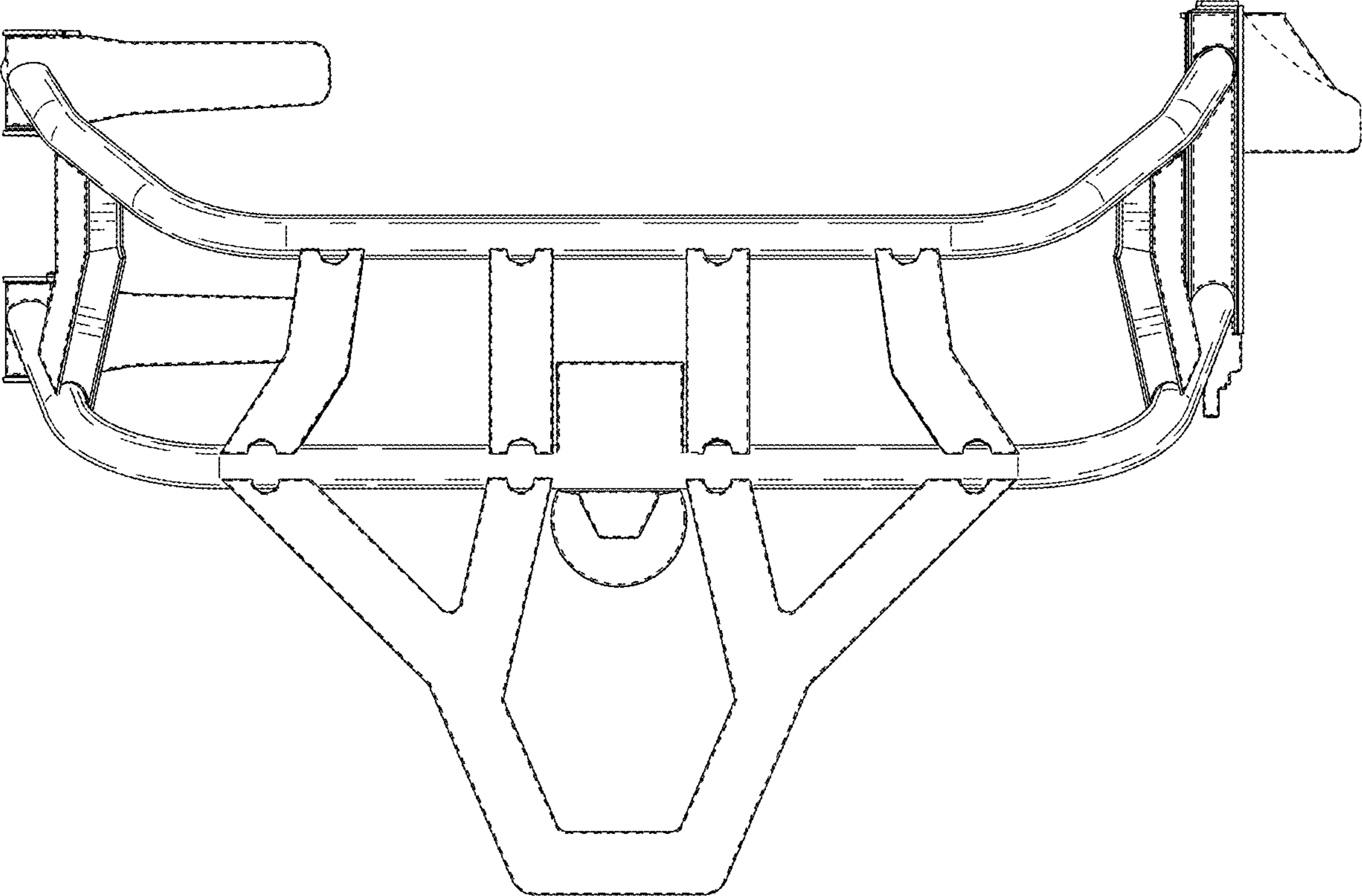


Fig. 7

