



US00D885302S

(12) **United States Design Patent** (10) **Patent No.:** **US D885,302 S**  
**Sprowl et al.** (45) **Date of Patent:** **\*\* May 26, 2020**

- (54) **ROOF FEATURE FOR A MODEL VEHICLE**
- (71) Applicant: **Traxxas, LP**, McKinney, TX (US)
- (72) Inventors: **Jory Sprowl**, Honey Grove, TX (US);  
**Kent Poteet**, Lucas, TX (US); **Jaime Barajas**, Dallas, TX (US)
- (73) Assignee: **TRAXXAS LP**, McKinney, TX (US)
- (\*\*) Term: **15 Years**
- (21) Appl. No.: **29/661,428**
- (22) Filed: **Aug. 28, 2018**
- (51) **LOC (12) Cl.** ..... **12-16**
- (52) **U.S. Cl.**  
USPC ..... **D12/401**; D21/561
- (58) **Field of Classification Search**  
USPC .... D12/86-92, 163-172, 401; D21/495, 561  
CPC ..... B60R 19/18; B60R 19/24; B60R 19/44;  
B60R 19/48; B60R 19/56; B60R  
2019/527; B60R 2019/1886; B62D  
25/0845  
See application file for complete search history.

- D586,696 S 2/2009 Burns
- D593,616 S 6/2009 Asai
- D639,207 S 6/2011 Danisi
- D642,090 S 7/2011 Karacabey et al.
- D642,091 S 7/2011 Karacabey et al.
- D642,960 S 8/2011 Berrier
- D647,002 S 10/2011 Mullen
- D651,133 S 12/2011 Liebl
- D655,236 S 3/2012 Sanschagrin
- D655,668 S 3/2012 Levorato et al.
- D678,173 S 3/2013 McIntire
- D681,542 S 5/2013 Oliver
- D686,136 S 7/2013 Galley
- D690,256 S 9/2013 Ewringmann
- D691,523 S 10/2013 Waugh et al.
- D728,450 S 5/2015 Yen
- D730,806 S 6/2015 Lim
- D758,281 S 6/2016 Galloway

(Continued)

*Primary Examiner* — Darlington Ly  
(74) *Attorney, Agent, or Firm* — Daryl R. Wright; Greg Carr

(57) **CLAIM**

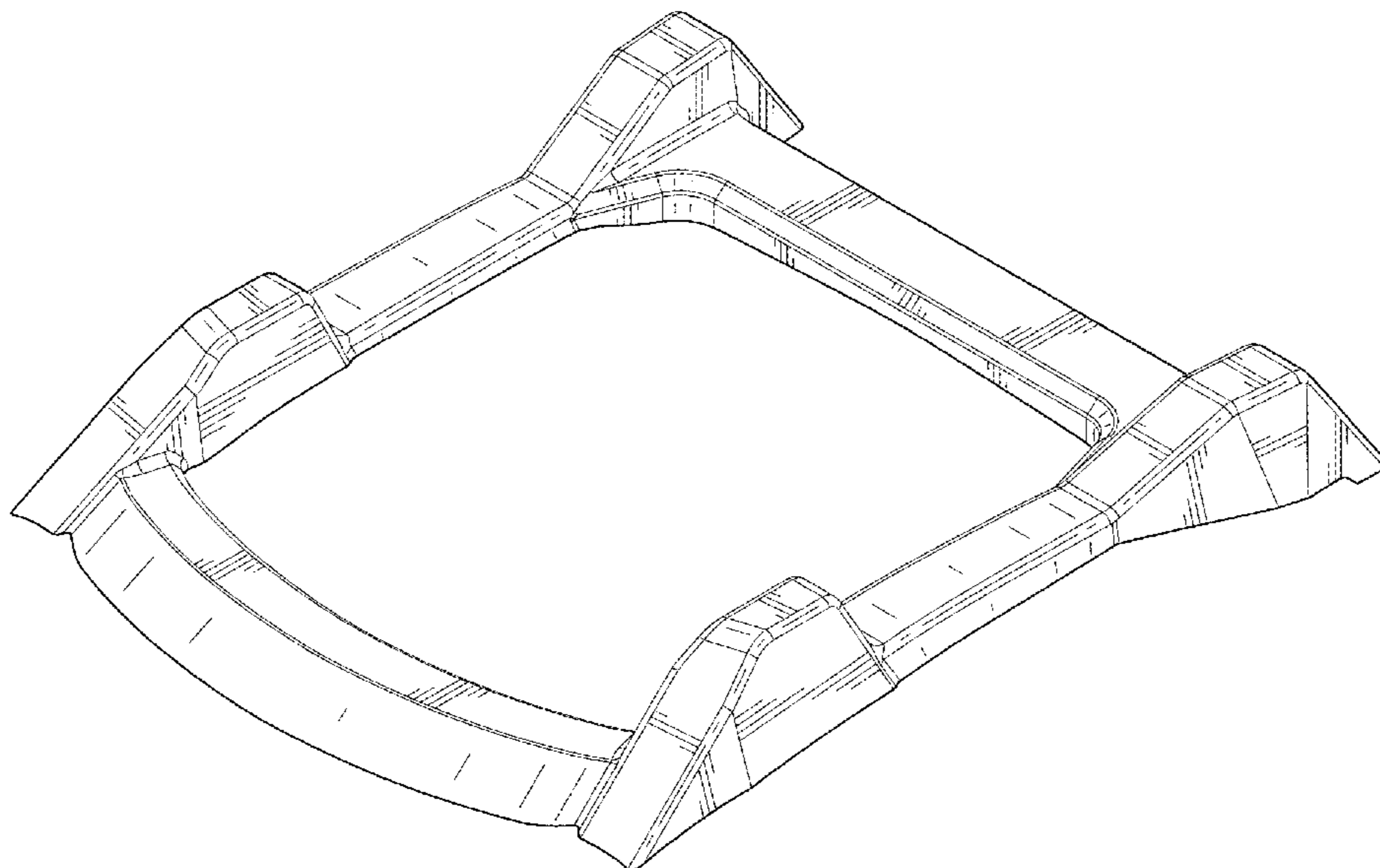
We claim the ornamental design for a roof feature for a model vehicle, as shown and described.

**DESCRIPTION**

FIG. 1 is a top, left, front perspective view of a roof feature for a model vehicle;  
FIG. 2 is front elevation view thereof;  
FIG. 3 is a rear elevation view thereof;  
FIG. 4 is a left side elevation view thereof;  
FIG. 5 is a right side elevation view thereof;  
FIG. 6 is a top plan view thereof;  
FIG. 7 is a bottom plan view thereof; and,  
FIG. 8 is a top, right, rear perspective view thereof.  
The broken lines in the drawings illustrate portions of the roof feature for a model vehicle that form no part of the claimed design.

**1 Claim, 6 Drawing Sheets**

- (56) **References Cited**  
U.S. PATENT DOCUMENTS
- 3,829,117 A 8/1974 Park
- D332,978 S 2/1993 Tsuchiya
- D348,911 S 7/1994 Herrick et al.
- D411,263 S 6/1999 Korsholm
- D493,848 S 8/2004 Dunst
- D503,658 S 4/2005 Lu
- D513,223 S 12/2005 Saito et al.
- D521,899 S 5/2006 Walden
- D523,775 S 6/2006 Walden
- D523,776 S 6/2006 Walden
- D556,648 S 12/2007 Nelson et al.
- D564,410 S 3/2008 Lepage
- D567,886 S 4/2008 Lampert et al.
- D586,695 S 2/2009 Burns



(56)

**References Cited**

U.S. PATENT DOCUMENTS

D761,713 S	7/2016	Hensley	
D766,157 S	9/2016	Reynolds et al.	
D776,601 S	1/2017	McDonald, II et al.	
D777,619 S *	1/2017	Barajas .....	D12/167
D778,784 S	2/2017	Hirooka	
D781,207 S	3/2017	Johnson	
D783,502 S	4/2017	Hensley	
D783,503 S	4/2017	Hensley	
D783,726 S	4/2017	Williams et al.	
D793,328 S	8/2017	Bridges	
D803,141 S	11/2017	Peat	
D810,148 S	2/2018	Loew et al.	
D816,009 S	4/2018	Reynolds et al.	
D820,736 S	6/2018	Vaarsi	
D822,126 S	7/2018	Allmendinger et al.	
D826,831 S	8/2018	Eck et al.	
D827,054 S *	8/2018	Ewing .....	D21/561
D828,796 S *	9/2018	Allmendinger .....	D12/171
D829,831 S	10/2018	Redlin et al.	
D833,366 S	11/2018	Dowdey	
D836,501 S	12/2018	Mori	
D837,307 S *	1/2019	Jin .....	D21/548
D839,363 S *	1/2019	Ewing .....	D21/495
D847,724 S *	5/2019	Sprowl .....	D12/401
D856,432 S *	8/2019	Ewing .....	D21/495
D864,310 S *	10/2019	Jens Christensen .....	D21/562
D865,079 S *	10/2019	Ewing .....	D21/561
D867,474 S *	11/2019	Ewing .....	D21/561
D867,475 S *	11/2019	Ewing .....	D21/561
D867,476 S *	11/2019	Wood .....	D21/561
D870,615 S *	12/2019	Wood .....	D12/171

\* cited by examiner

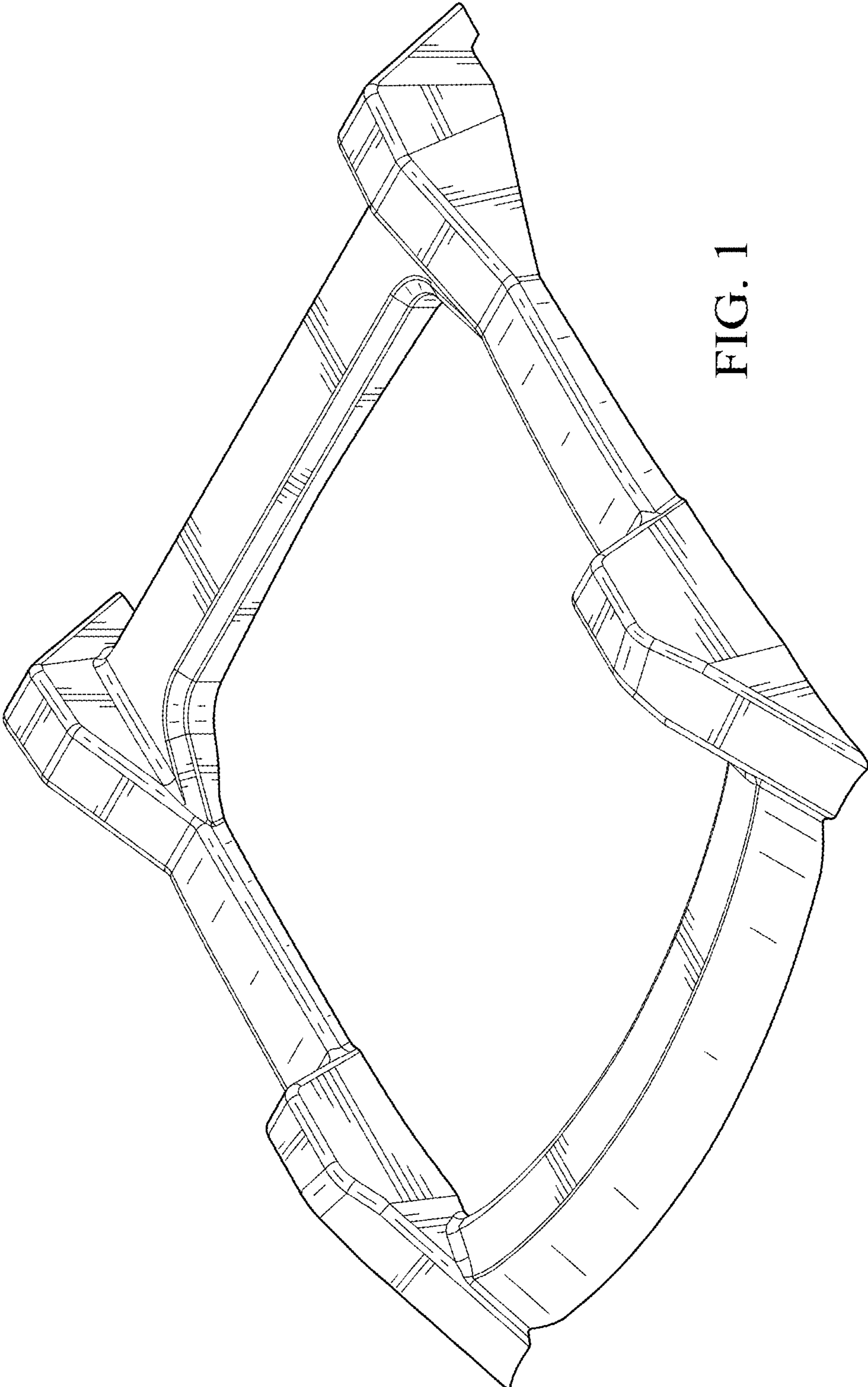


FIG. 1

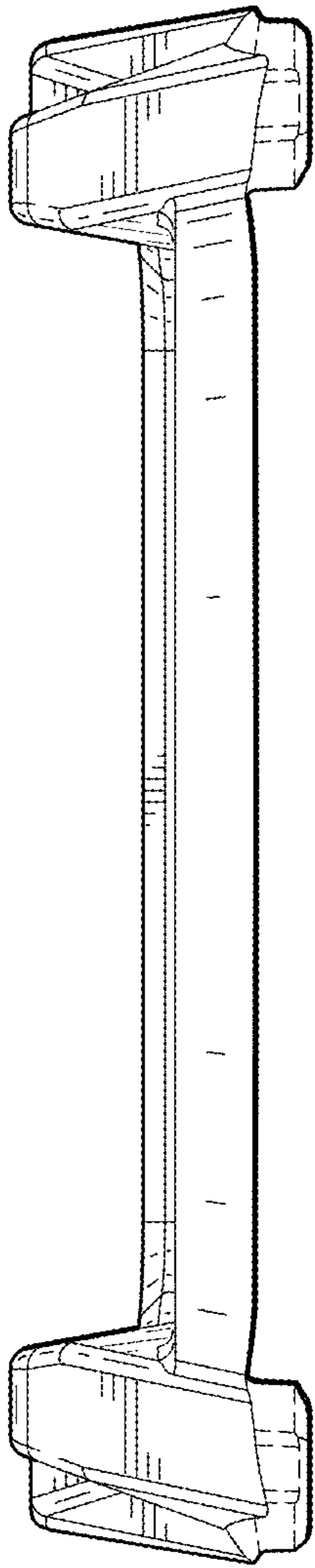


FIG. 2

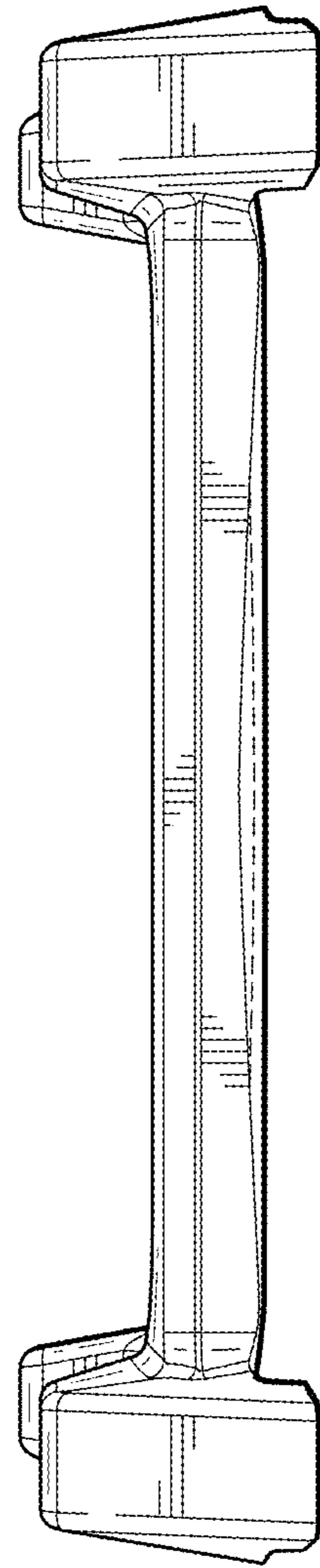


FIG. 3



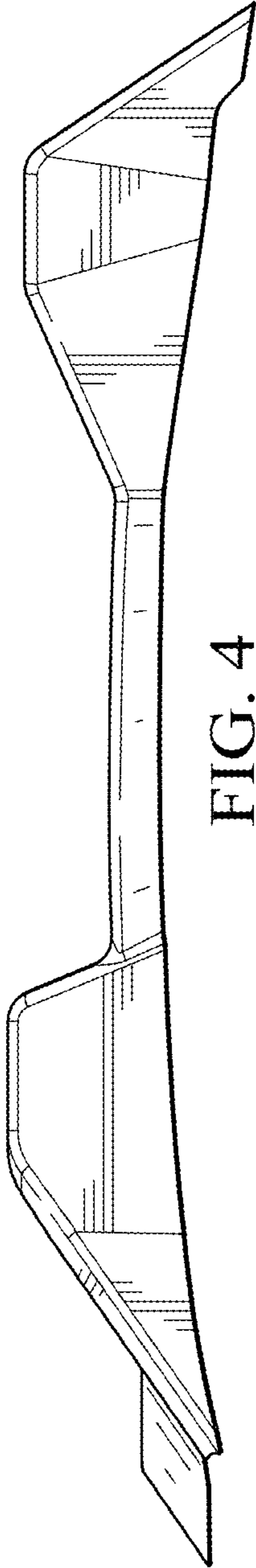


FIG. 4

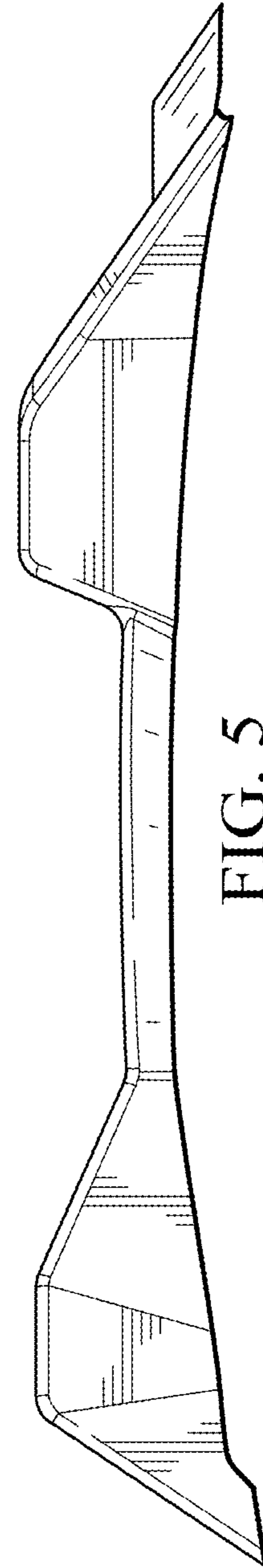


FIG. 5

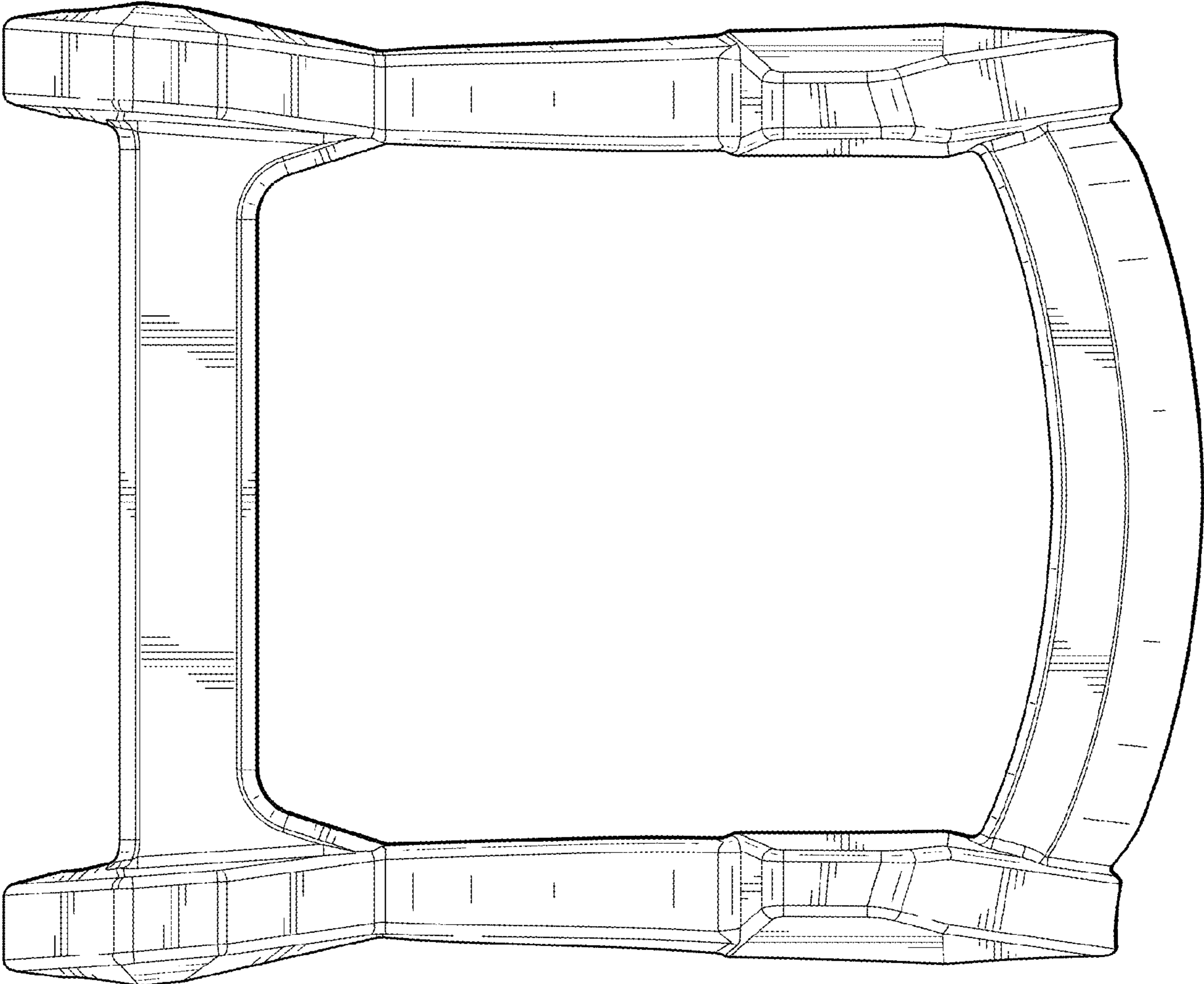


FIG. 6

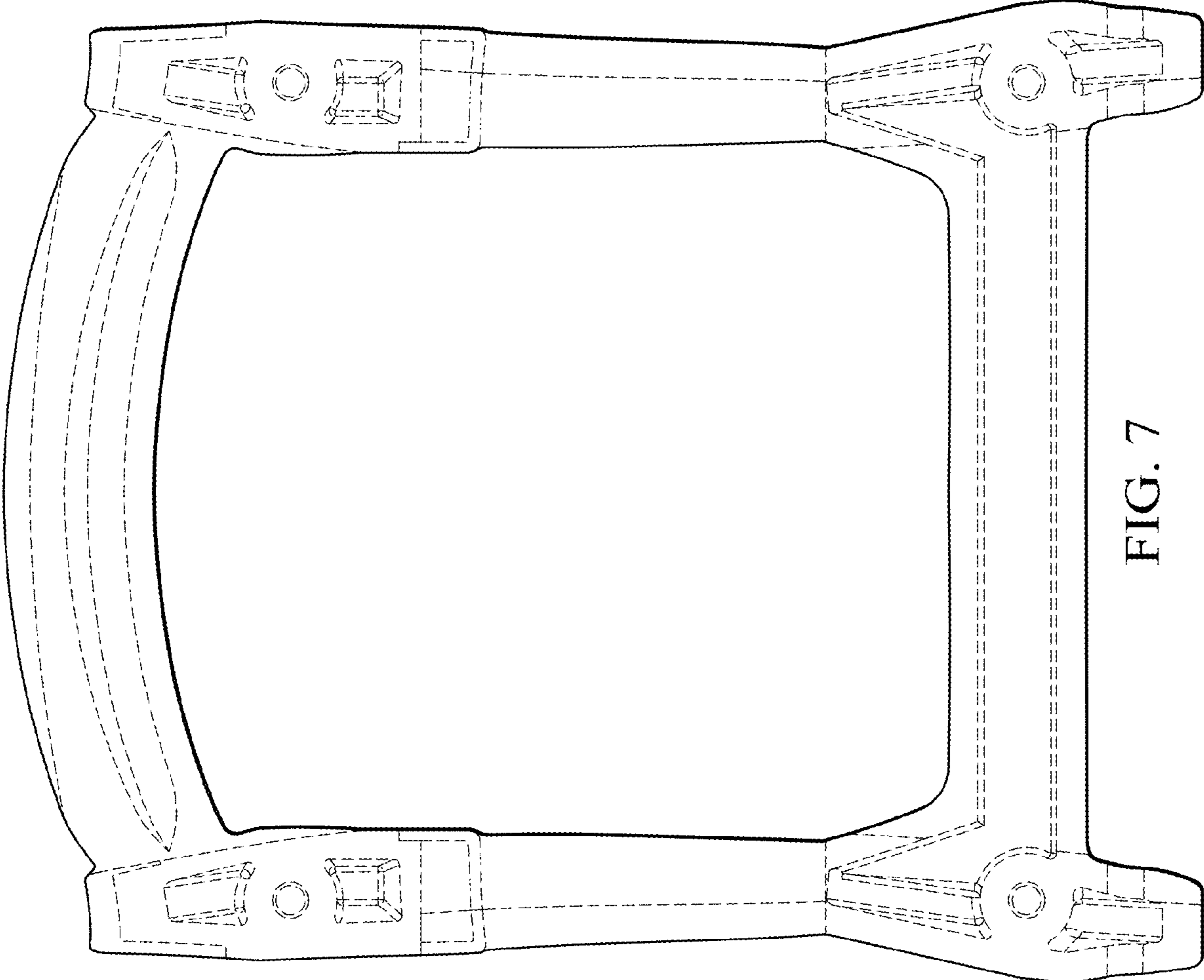


FIG. 7

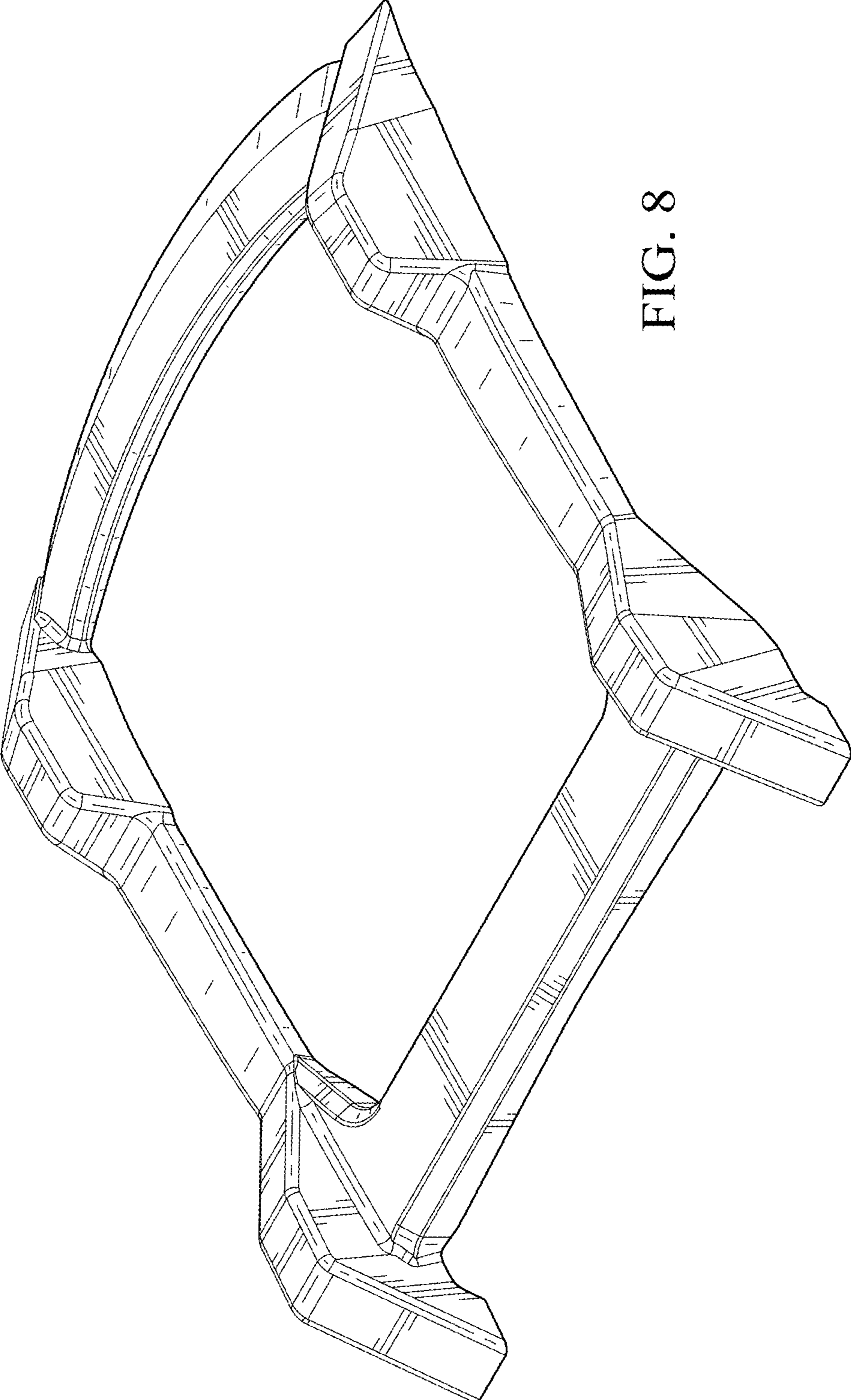


FIG. 8