



US00D885301S

(12) **United States Design Patent**  
**Luo et al.**

(10) **Patent No.:** **US D885,301 S**

(45) **Date of Patent:** **\*\* May 26, 2020**

(54) **UNMANNED AERIAL VEHICLE**  
(71) Applicant: **Guangzhou Walkera Technology Co., Ltd**, Guangzhou, Guangdong (CN)  
(72) Inventors: **Zhihong Luo**, Guangdong (CN); **Ben Li**, Guangdong (CN); **Ye Xia**, Guangdong (CN); **Qiang Luo**, Guangdong (CN)  
(73) Assignee: **GUANGZHOU WALKERA TECHNOLOGY CO., LTD**, Guangzhou, Guangdong (CN)

D803,097 S \* 11/2017 Wang ..... D12/16.1  
D808,860 S \* 1/2018 Tian ..... D12/16.1  
D816,582 S \* 5/2018 Liang ..... D12/328  
D817,812 S \* 5/2018 Whitten, Jr. .... D12/16.1  
D820,768 S \* 6/2018 Wang ..... D12/328  
10,005,556 B2 \* 6/2018 Rastgaar Aagaah .....  
B64C 39/024  
10,108,072 B1 \* 10/2018 Sugaki ..... H04N 5/22521  
10,173,774 B2 \* 1/2019 Jones ..... B64C 37/02  
10,220,953 B2 \* 3/2019 Ishii ..... B64D 31/10  
2015/0266577 A1 \* 9/2015 Jones ..... G05D 1/102  
701/3  
2016/0340028 A1 \* 11/2016 Datta ..... B64C 39/024  
2016/0376014 A1 \* 12/2016 Alnafisah ..... B64C 39/024  
244/39  
2017/0144756 A1 \* 5/2017 Rastgaar Aagaah .....  
B64C 39/024  
2017/0152035 A1 \* 6/2017 Zhao ..... B64C 39/024

(\*\*) Term: **15 Years**

(21) Appl. No.: **29/667,324**

(22) Filed: **Oct. 19, 2018**

(30) **Foreign Application Priority Data**

Apr. 19, 2018 (CN) ..... 2018 3 0163864

(51) **LOC (12) Cl.** ..... **12-07**

(52) **U.S. Cl.**  
USPC ..... **D12/328**; D12/16.1

(58) **Field of Classification Search**  
USPC ..... D12/1-4, 16.1, 319-345; D21/436-454  
CPC ..... B64C 39/024; B64C 13/16; B64C 19/00;  
B64C 2201/021; B64C 2201/141; B60H  
1/3442

See application file for complete search history.

(56) **References Cited**

U.S. PATENT DOCUMENTS

D465,196 S \* 11/2002 Dammar ..... D12/328  
D751,490 S \* 3/2016 Chen ..... D12/16.1  
9,527,588 B1 \* 12/2016 Rollefstad ..... B64C 39/024  
9,533,759 B2 \* 1/2017 Jones ..... G05D 1/102  
D780,062 S \* 2/2017 Wu ..... D12/16.1  
D787,373 S \* 5/2017 Ketcher ..... D12/16.1

\* cited by examiner

*Primary Examiner* — Marissa J Cash

(74) *Attorney, Agent, or Firm* — Muncy, Geissler, Olds & Lowe, P.C.

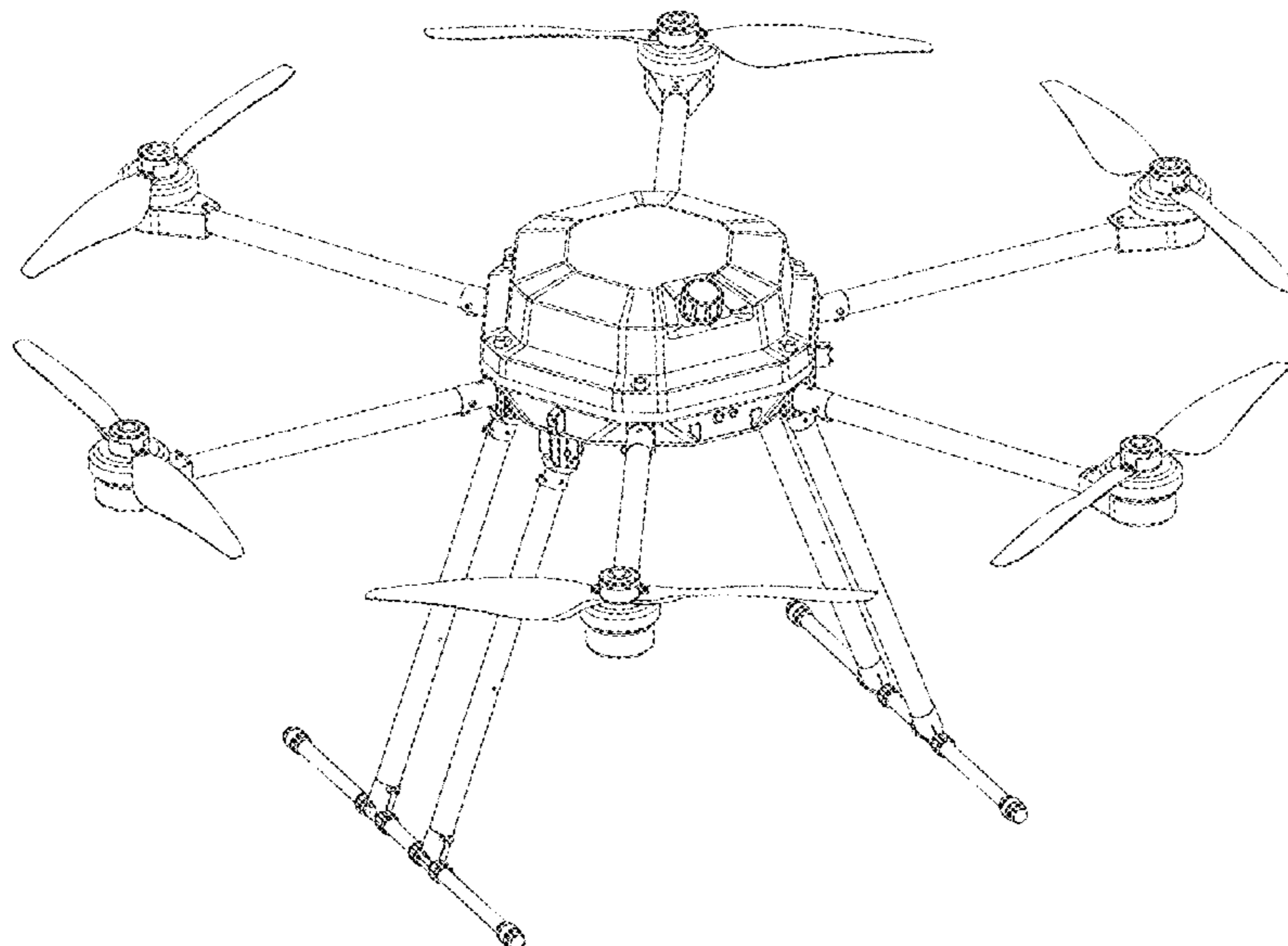
(57) **CLAIM**

The ornamental design for an unmanned aerial vehicle, as shown and described.

**DESCRIPTION**

FIG. 1 is a front elevational view of a unmanned aerial vehicle showing our new design;  
FIG. 2 is a rear elevational view thereof;  
FIG. 3 is a top plan view thereof;  
FIG. 4 is a bottom plan view thereof;  
FIG. 5 is a left side elevational view thereof;  
FIG. 6 is a right side elevational view thereof;  
FIG. 7 is a perspective view thereof;  
FIG. 8 is another perspective view thereof;  
FIG. 9 is another perspective view thereof; and,  
FIG. 10 is another perspective view thereof.

**1 Claim, 10 Drawing Sheets**



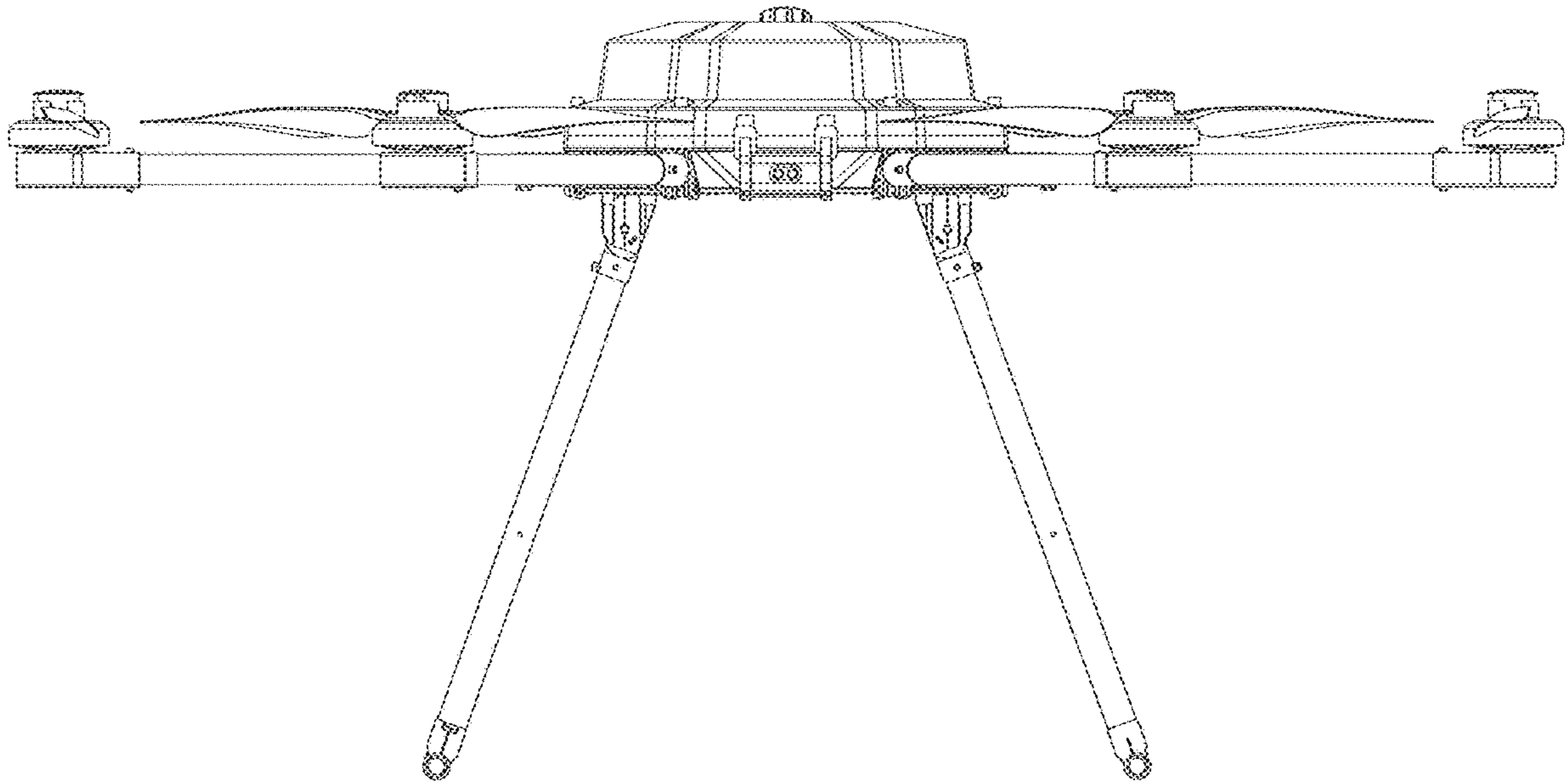


FIG. 1

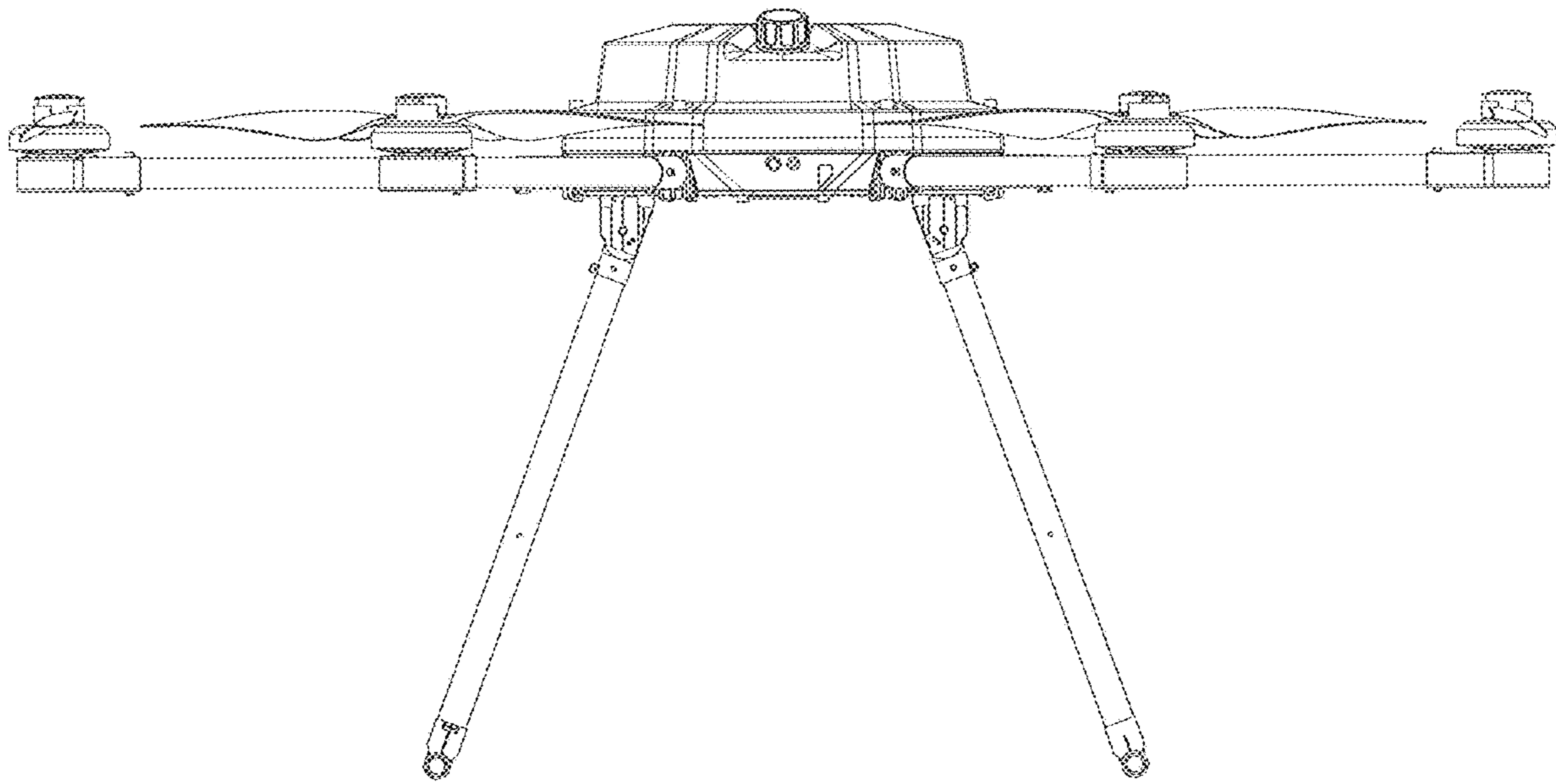


FIG. 2

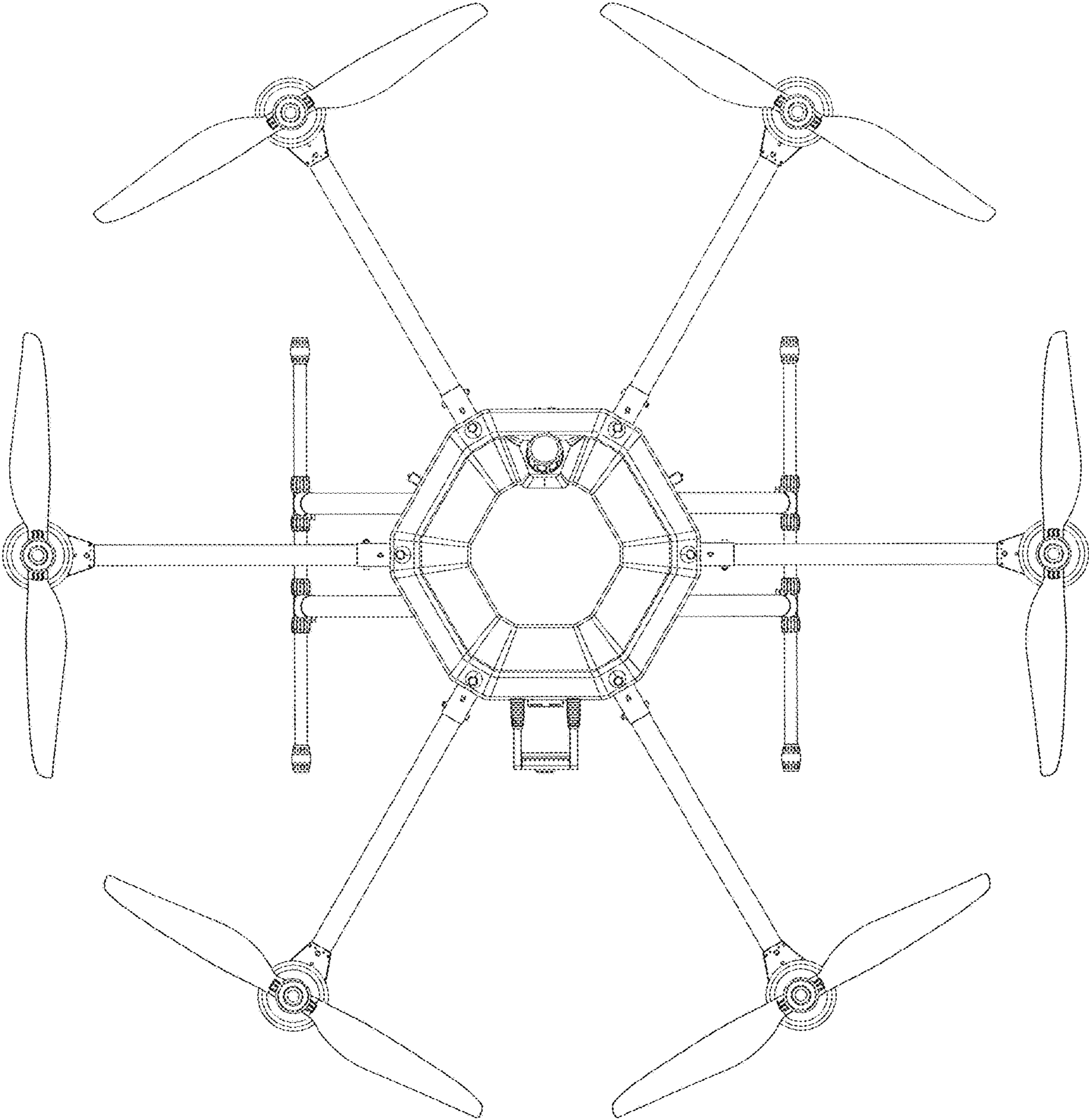


FIG. 3



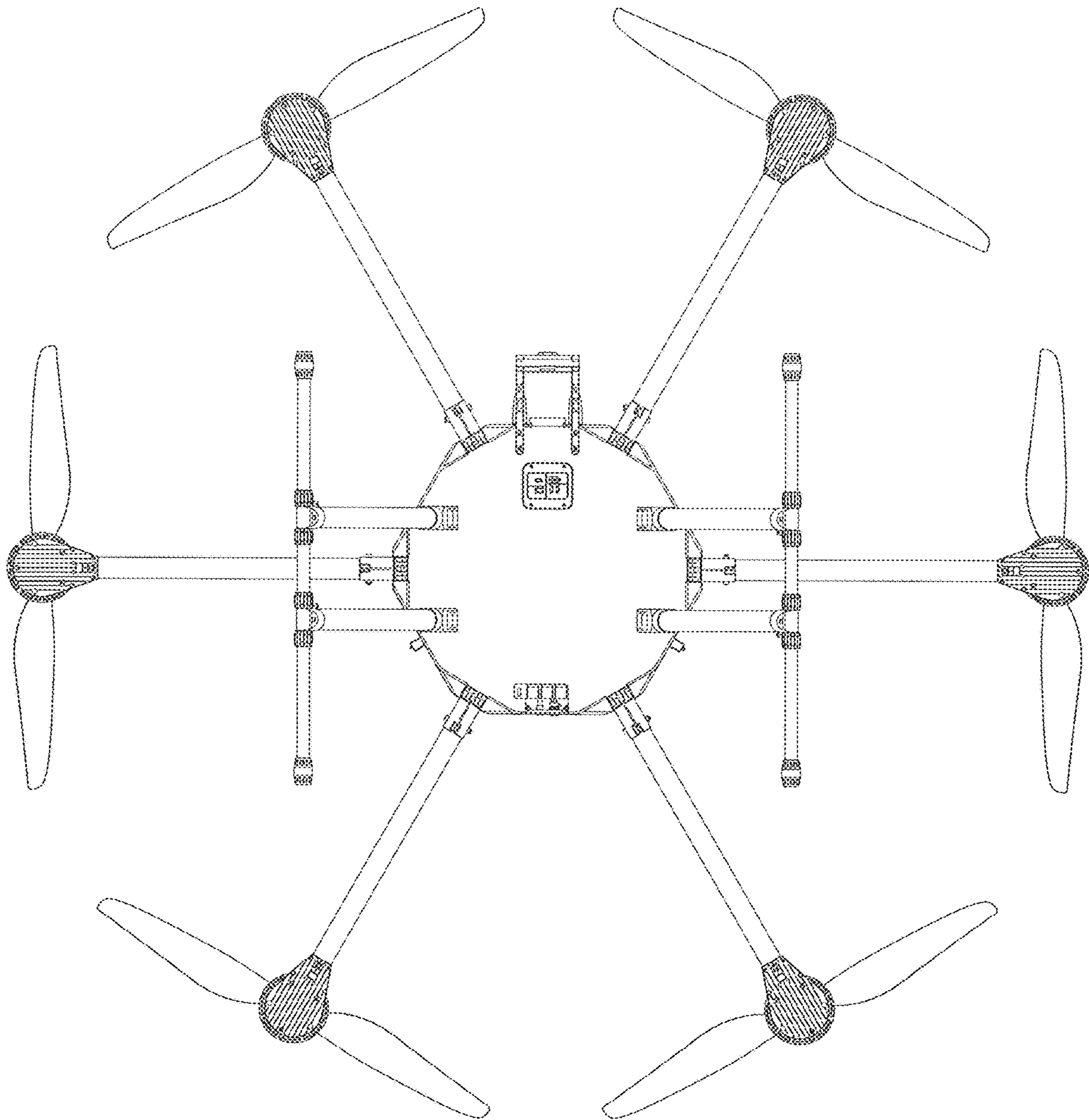


FIG. 4

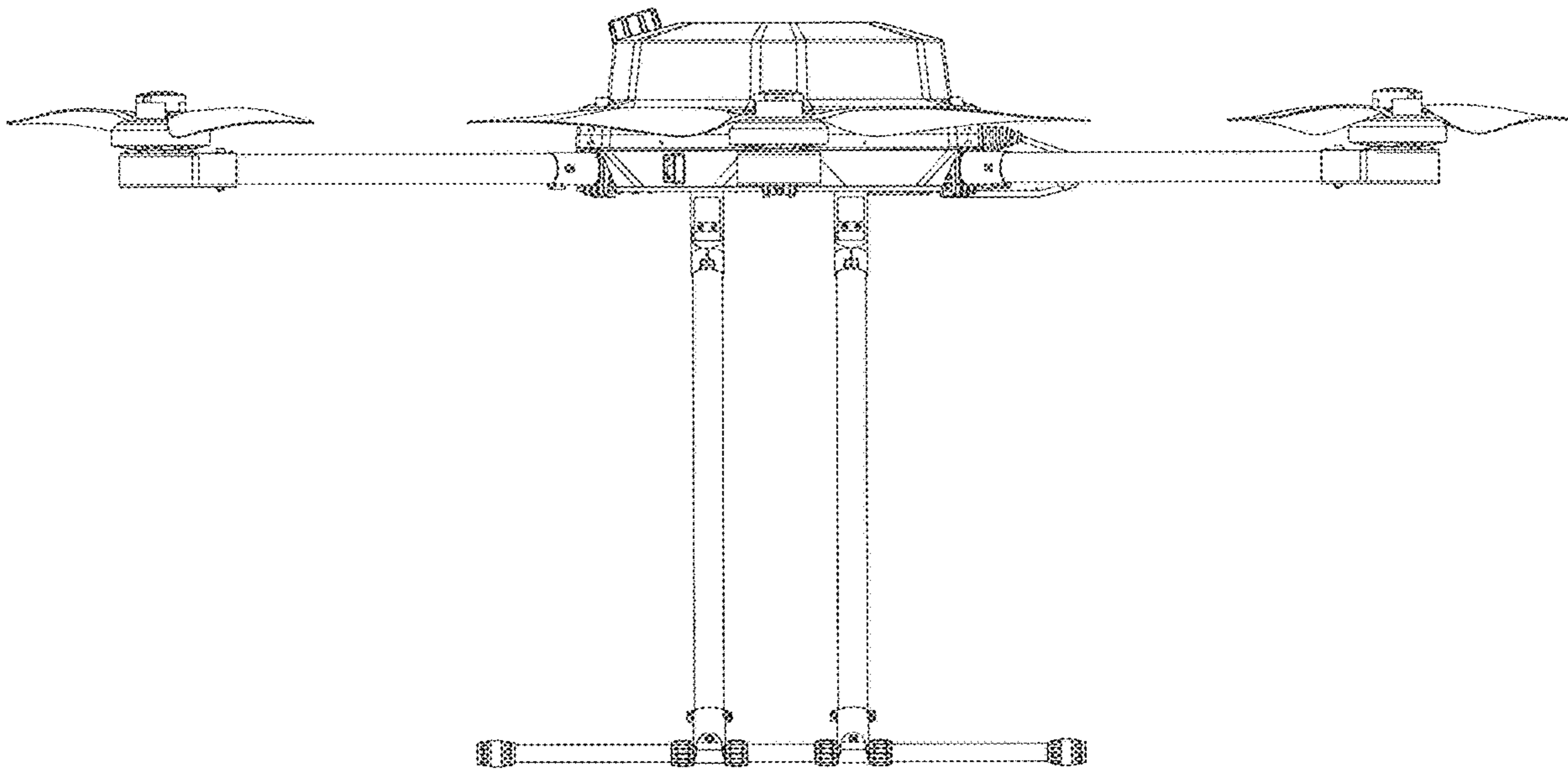


FIG. 5

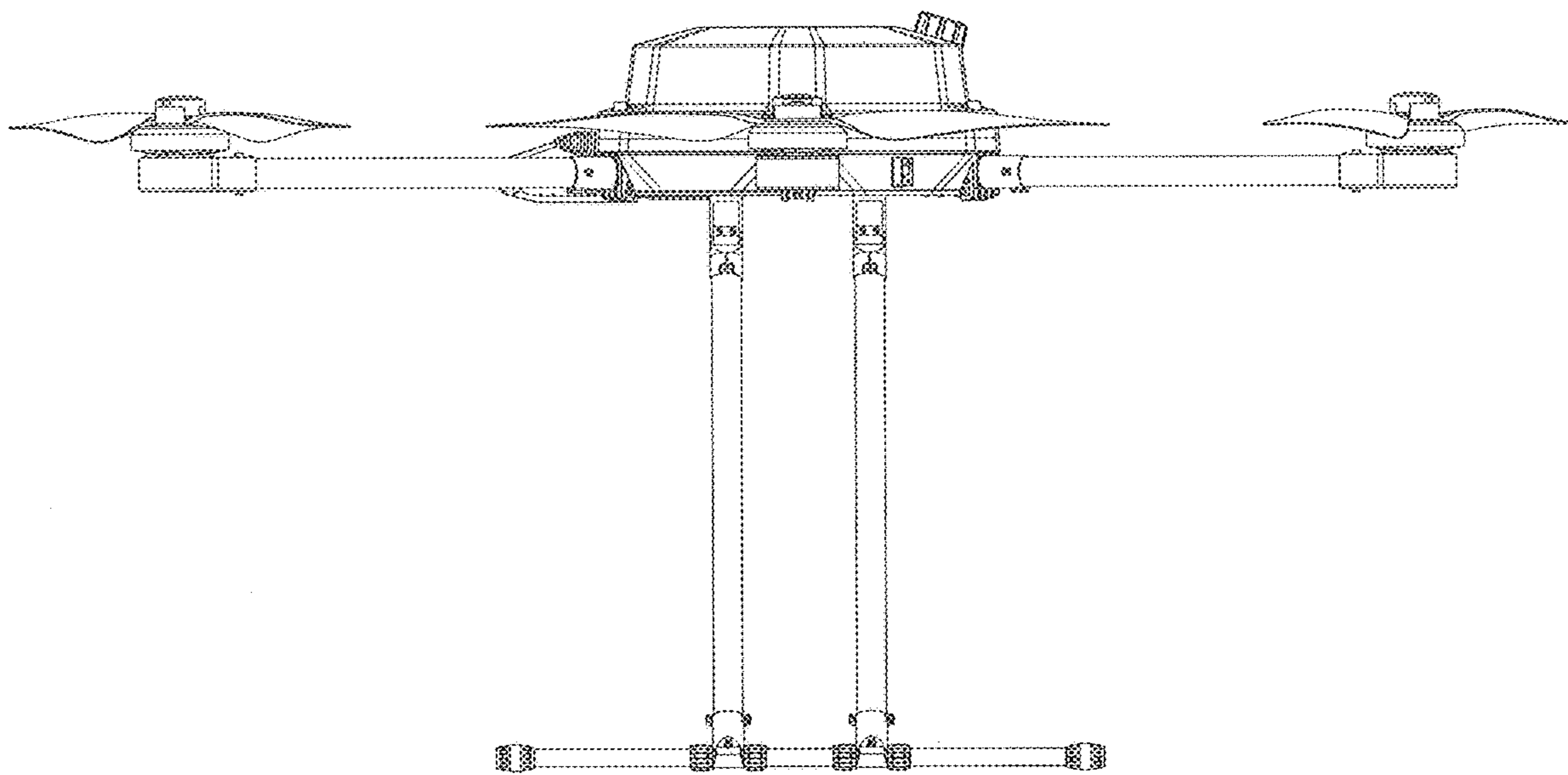


FIG. 6

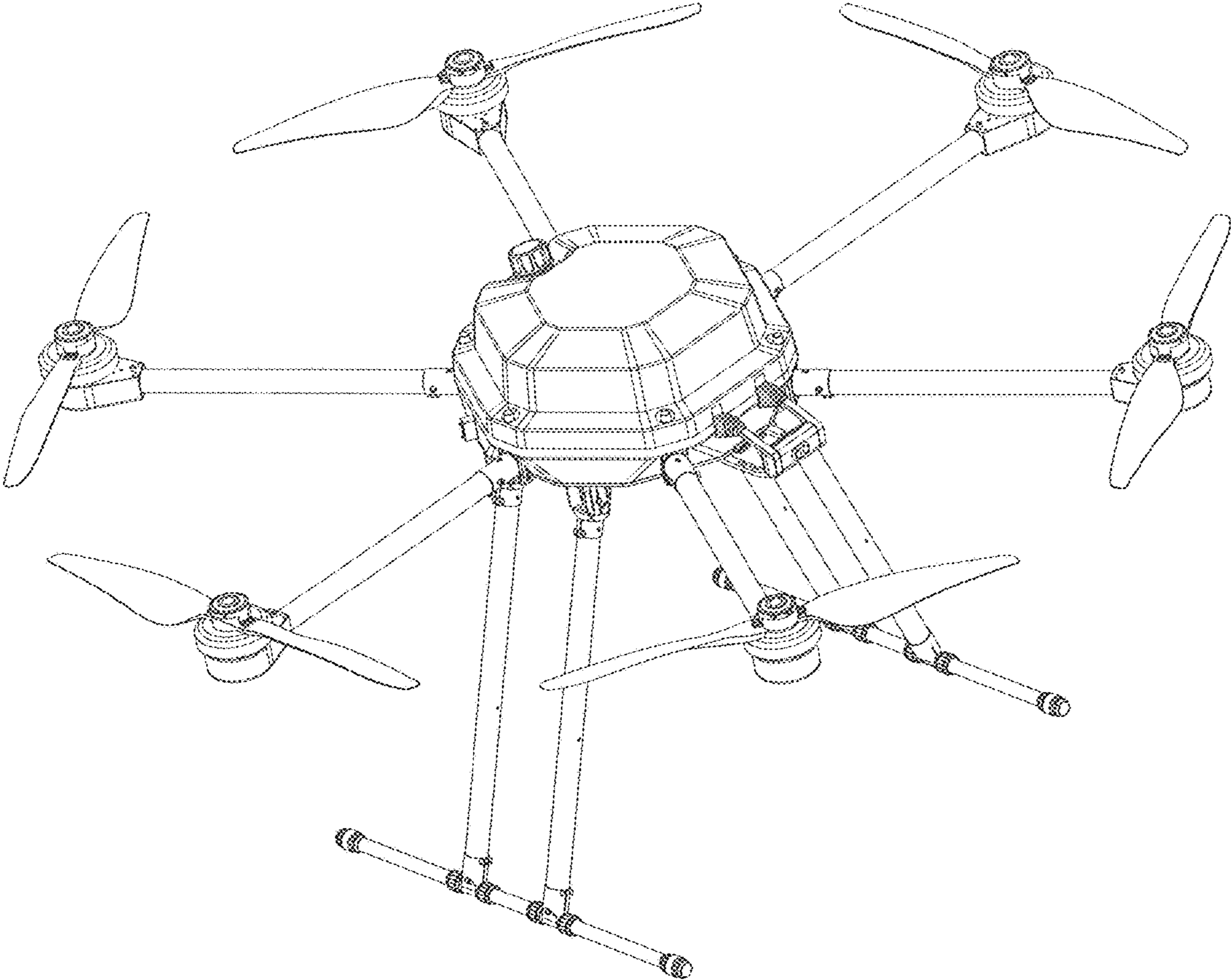


FIG. 7



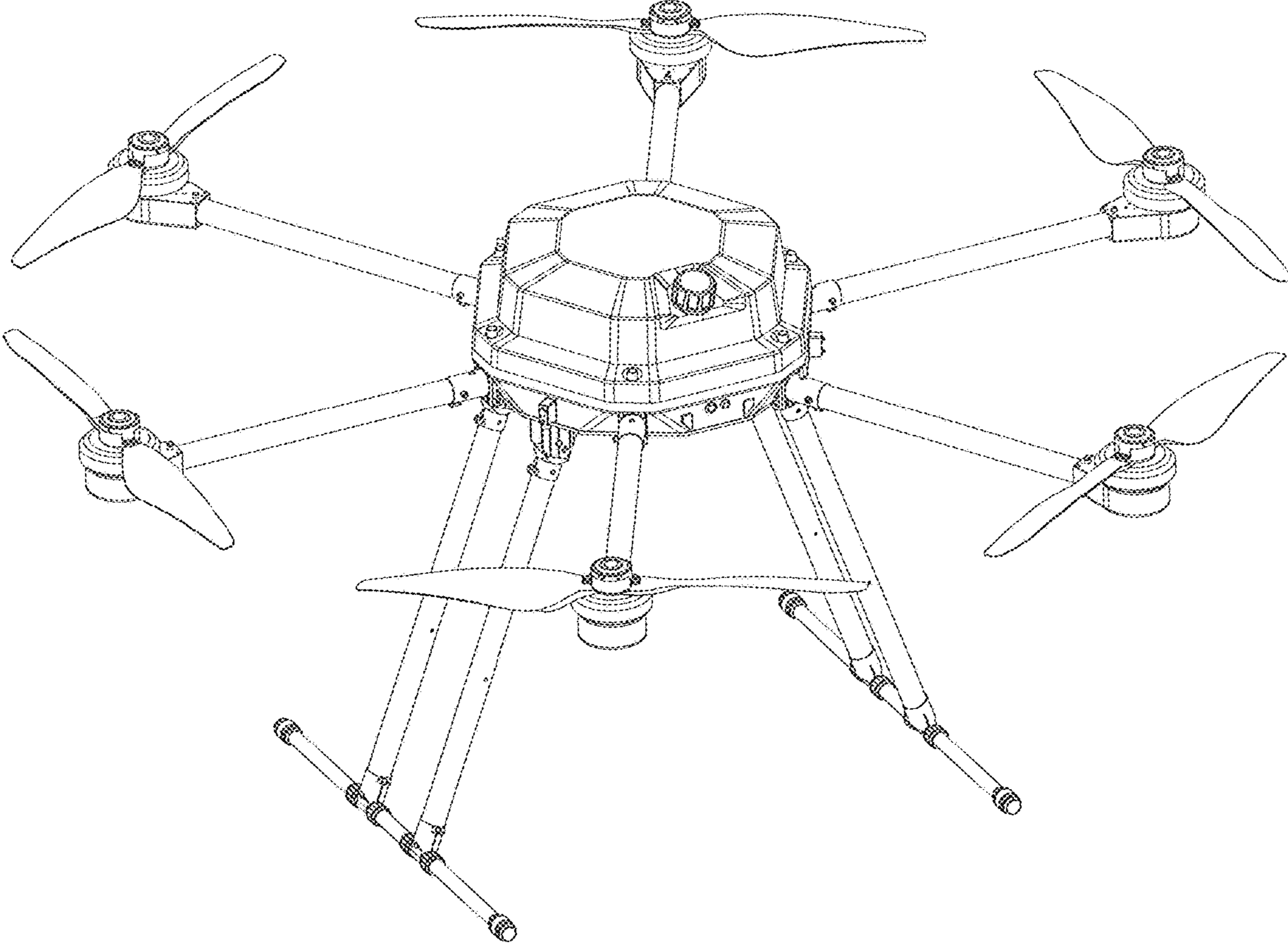


FIG. 8

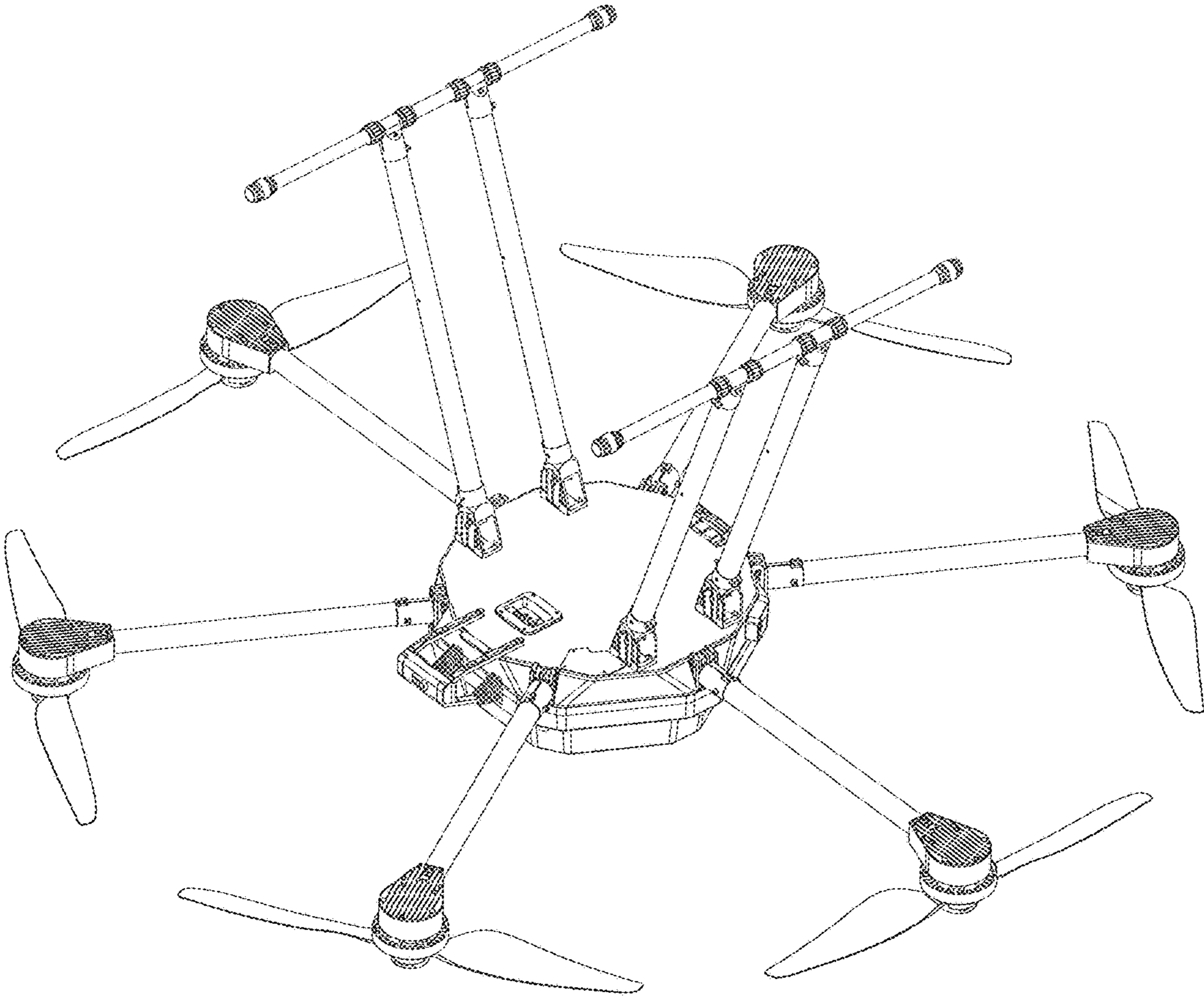


FIG. 9

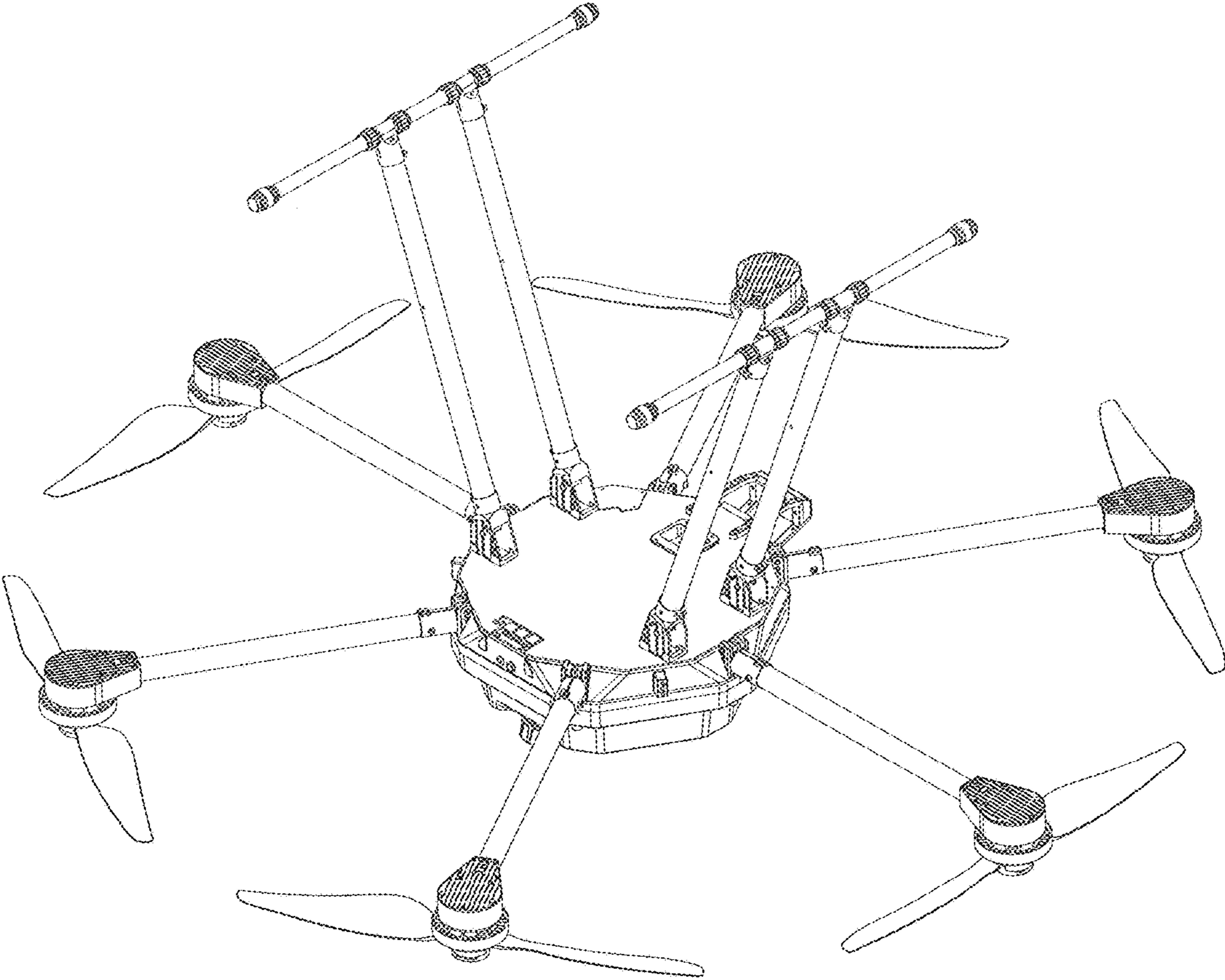


FIG. 10