



US00D885300S

(12) **United States Design Patent**
Merrill et al.

(10) **Patent No.:** **US D885,300 S**

(45) **Date of Patent:** **** May 26, 2020**

(54) **UNMANNED CARGO DELIVERY AIRCRAFT**

D678,169 S * 3/2013 Kennelly D12/319
D760,638 S * 7/2016 Beskar D12/344
9,898,033 B1 * 2/2018 Long G01D 5/145
D822,579 S * 7/2018 Lienhard D12/328

(71) Applicant: **Elroy Air, Inc.**, San Francisco, CA
(US)

(Continued)

(72) Inventors: **David Merrill**, San Francisco, CA
(US); **Terik Weekes**, San Francisco, CA
(US); **Sean Belardo**, San Francisco, CA
(US); **Colin Owen**, San Francisco, CA
(US); **Clinton Cope**, San Francisco, CA
(US); **Isaiah Jones**, San Francisco, CA
(US)

Primary Examiner — Marissa J Cash

(74) *Attorney, Agent, or Firm* — Martensen IP

(57) **CLAIM**

The ornamental design for an unmanned cargo delivery aircraft, as shown and described.

DESCRIPTION

(73) Assignee: **Elroy Air, Inc.**, San Francisco, CA
(US)

FIG. 1 is a top view of the unmanned cargo delivery aircraft without the cargo pod.

(**) Term: **15 Years**

FIG. 2 is a view of one side of the unmanned cargo delivery aircraft without the cargo pod.

(21) Appl. No.: **29/658,794**

FIG. 3 is a view of the other side of the unmanned cargo delivery aircraft without the cargo pod.

(22) Filed: **Aug. 2, 2018**

FIG. 4 is a front view of the unmanned cargo delivery aircraft without the cargo pod.

(51) **LOC (12) Cl.** **12-06**

FIG. 5 is a back view of the unmanned cargo delivery aircraft without the cargo pod.

(52) **U.S. Cl.**

USPC **D12/328**; D12/326

FIG. 6 is a bottom view of the unmanned cargo delivery aircraft without the cargo pod.

(58) **Field of Classification Search**

USPC D12/1-4, 16.1, 319-345; D21/436-454

CPC B64C 39/024; B64C 13/16; B64C 19/00;

B64C 2201/021; B64C 2201/141; B60H

1/3442

FIG. 7 is a top view of the unmanned cargo delivery aircraft with the cargo pod.

See application file for complete search history.

FIG. 8 is a view of one side of the unmanned cargo delivery aircraft with the cargo pod.

(56) **References Cited**

U.S. PATENT DOCUMENTS

D112,834 S * 1/1939 Seversky D12/324

D342,934 S * 1/1994 Weitmier D12/300

5,415,365 A * 5/1995 Ratliff B64C 35/00

114/271

D571,708 S * 6/2008 Wai D12/319

D605,576 S * 12/2009 Posva D12/343

D618,591 S * 6/2010 Nagapetyan D12/3

D627,404 S * 11/2010 Suzuki D12/319

FIG. 9 is a view of the other side of the unmanned cargo delivery aircraft with the cargo pod.

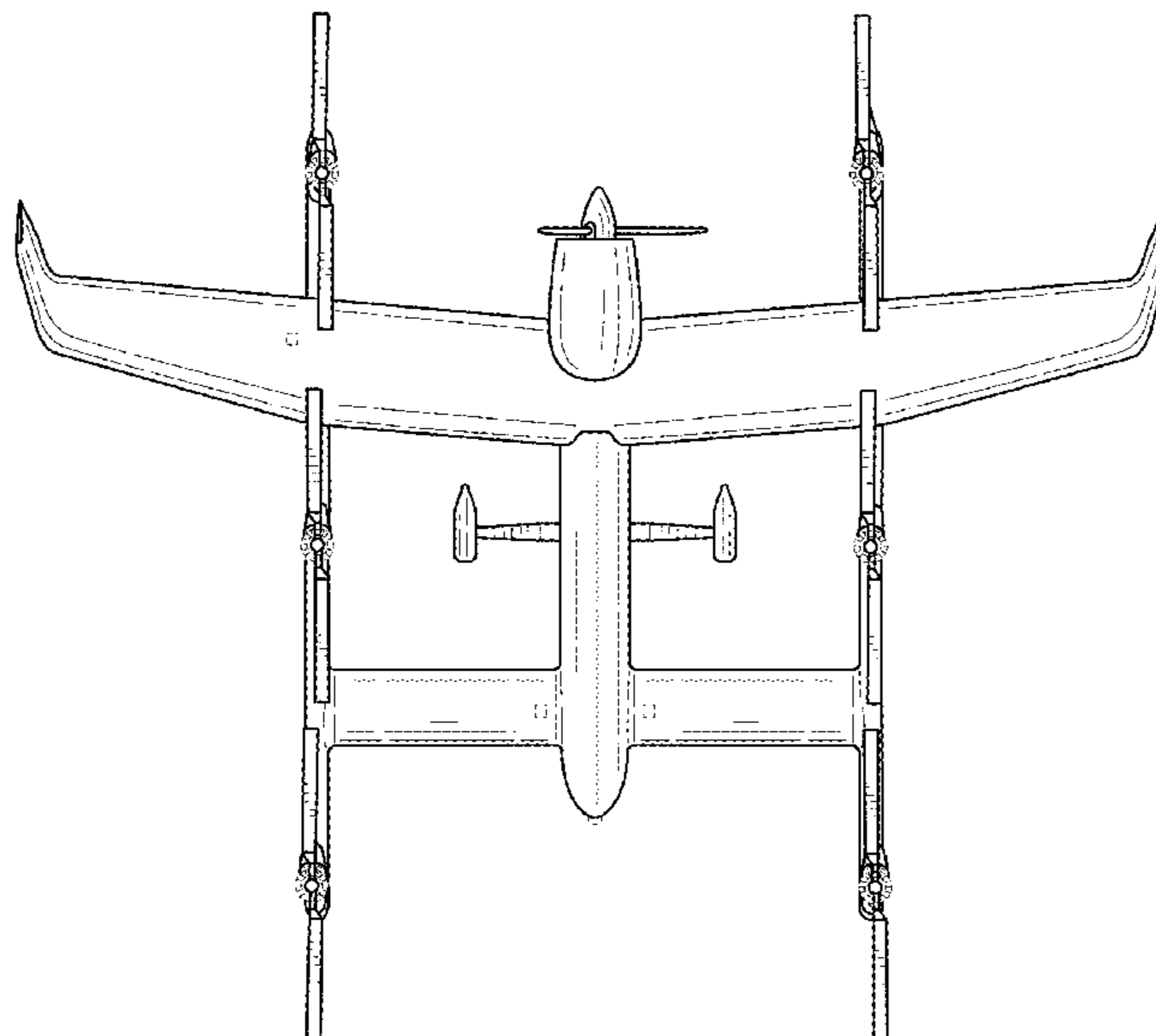
FIG. 10 is a bottom view of the unmanned cargo delivery aircraft with the cargo pod.

FIG. 11 is a front left perspective view of the unmanned cargo delivery aircraft without the cargo pod; and,

FIG. 12 is a front left perspective view of the unmanned cargo delivery aircraft with the cargo pod.

The broken lines shown in the drawings depict portions of the unmanned cargo delivery aircraft that form no part of the claimed design.

1 Claim, 10 Drawing Sheets



(56)

References Cited

U.S. PATENT DOCUMENTS

D824,804 S * 8/2018 Tian D12/16.1
10,081,436 B1 * 9/2018 Tian B64D 31/00
D832,154 S * 10/2018 Tian D12/161
D843,306 S * 3/2019 Tzarnotzky D12/329
D843,889 S * 3/2019 Merrill D12/16.1
D843,919 S * 3/2019 Tzarnotzky D12/329
10,259,563 B2 * 4/2019 Long B64C 11/02
D852,092 S * 6/2019 Woodworth D12/16.1
10,308,360 B2 * 6/2019 Sopper B65D 5/18
10,322,814 B1 * 6/2019 Tian B64D 31/00
D852,720 S * 7/2019 Zeldin D12/320
D852,825 S * 7/2019 Selwa D14/485
10,340,820 B2 * 7/2019 Woodworth B64C 39/024
2014/0158815 A1 * 6/2014 Renteria B64C 29/0025
244/12.1
2016/0236774 A1 * 8/2016 Niedzballa B64C 27/30
2017/0300067 A1 * 10/2017 Douglas B64C 29/0025
2018/0290735 A1 * 10/2018 Uptigrove B64D 35/04
2018/0297711 A1 * 10/2018 Oldroyd B64D 31/06

* cited by examiner

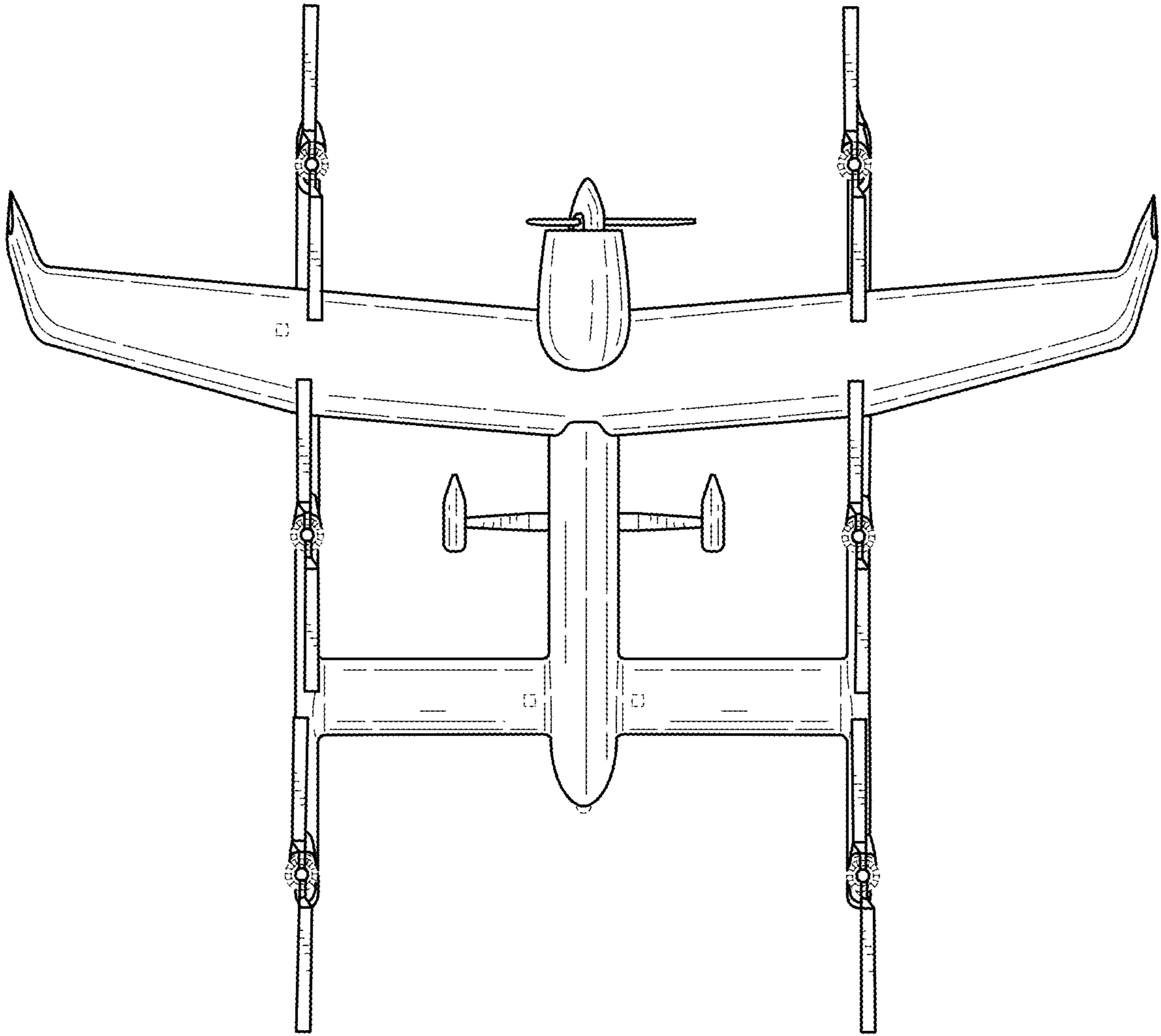


FIG.1

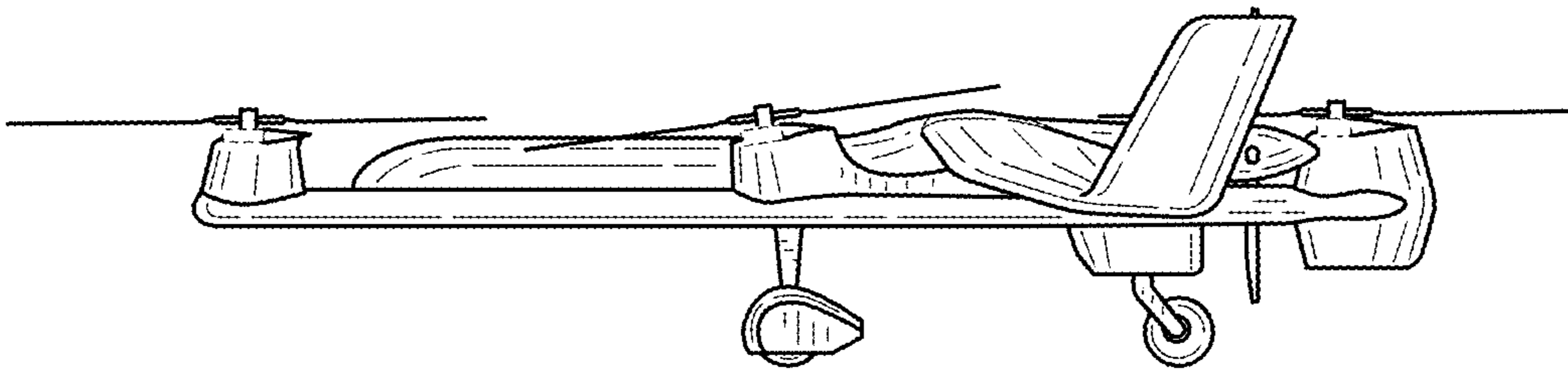


FIG.2

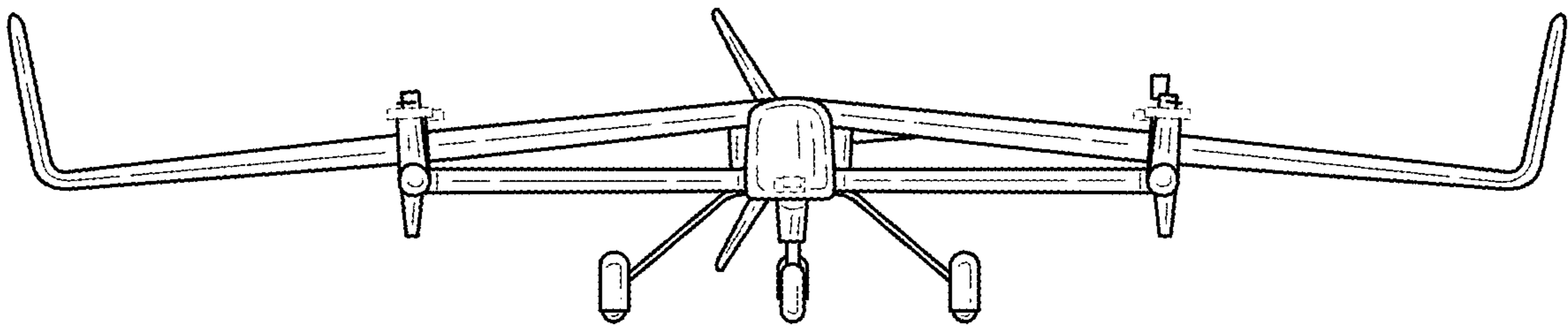


FIG.3

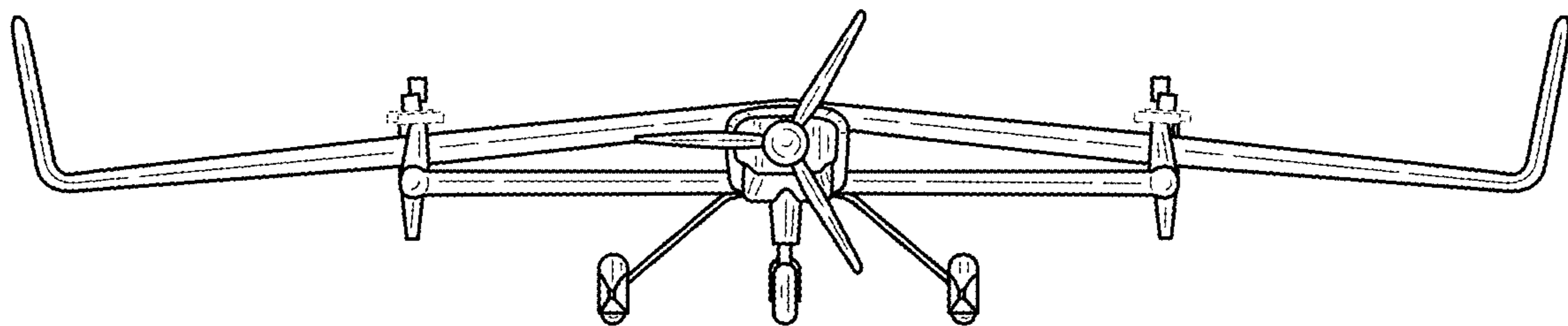


FIG.4

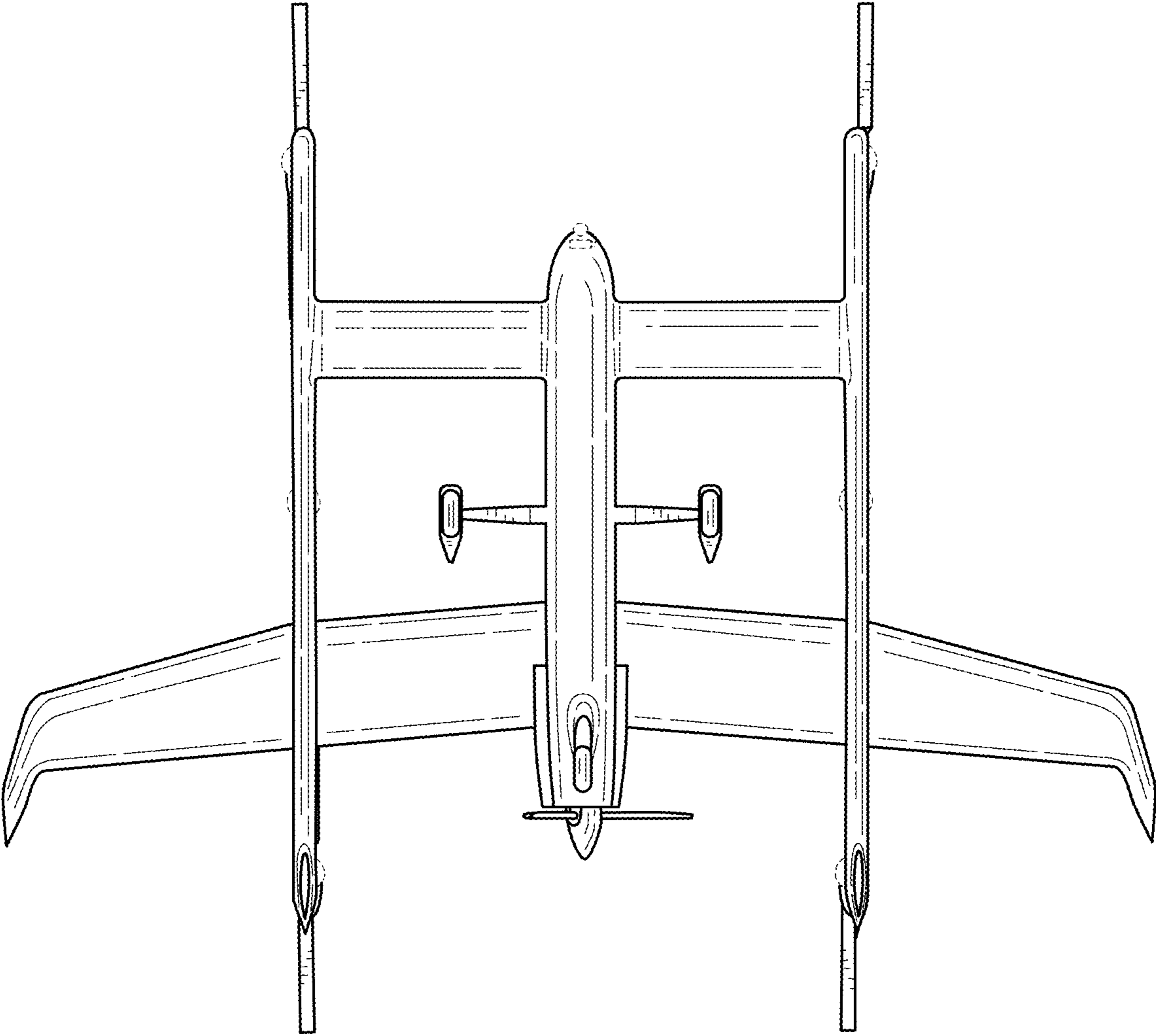


FIG.5

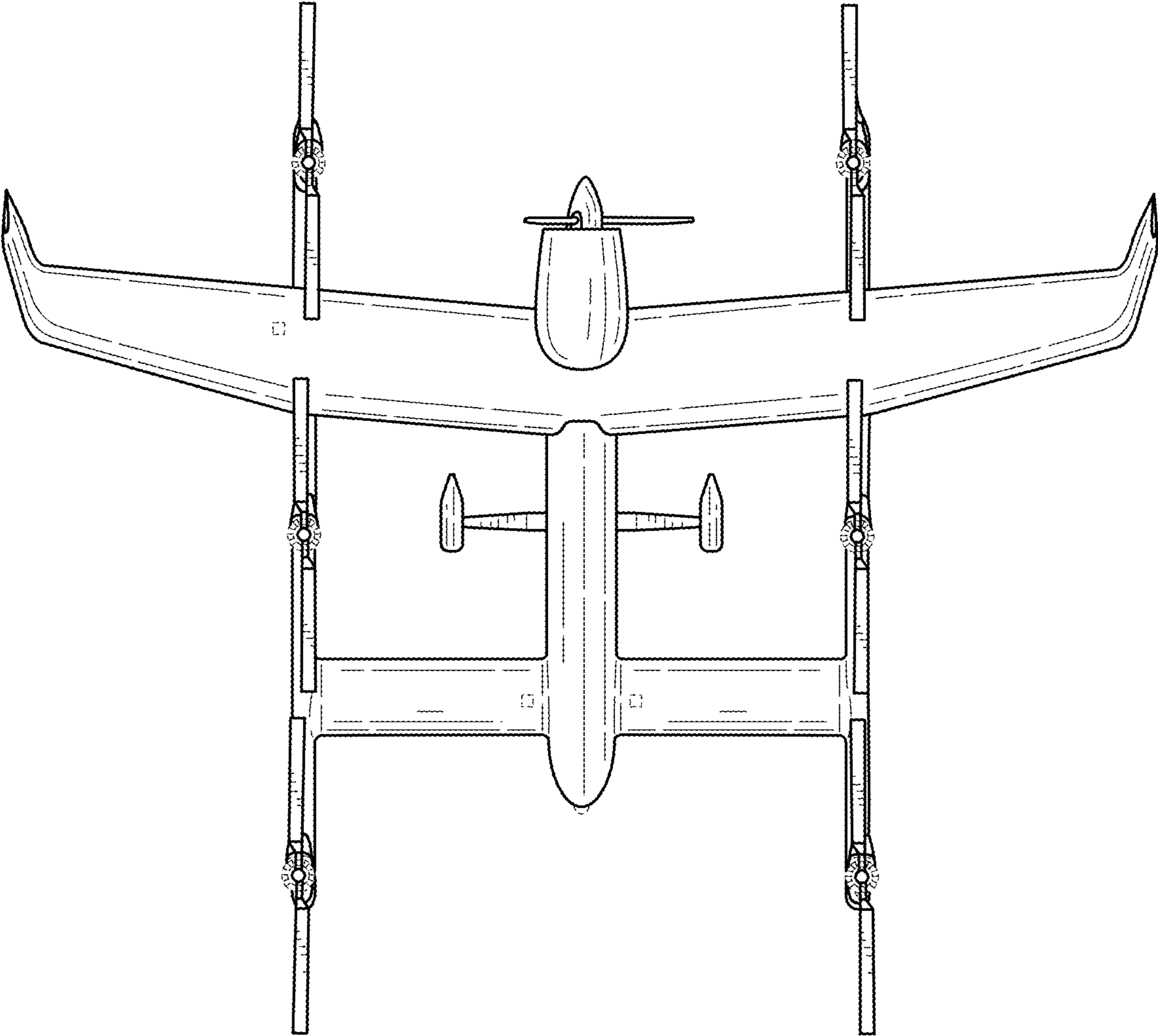


FIG.6

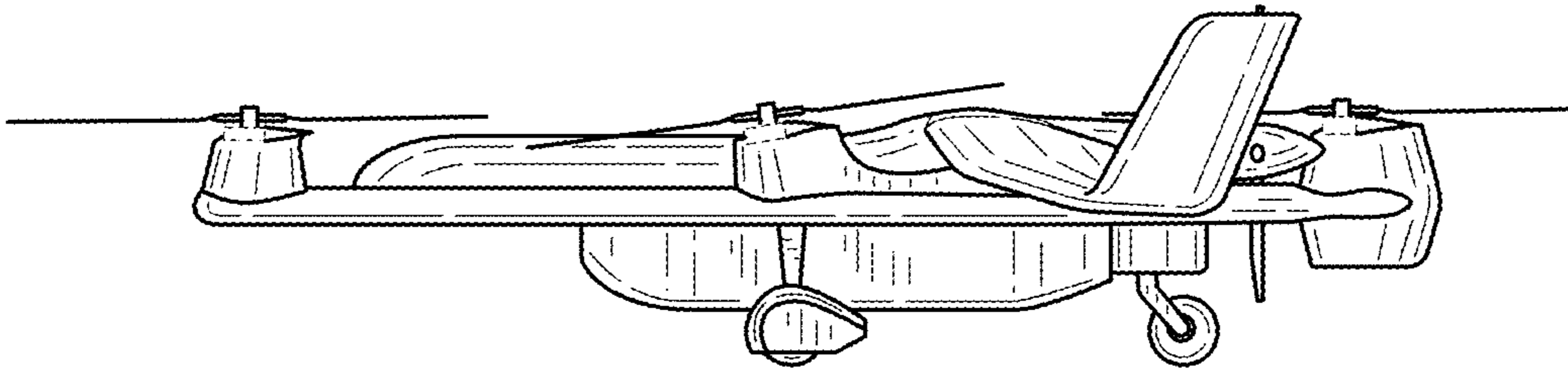


FIG.7

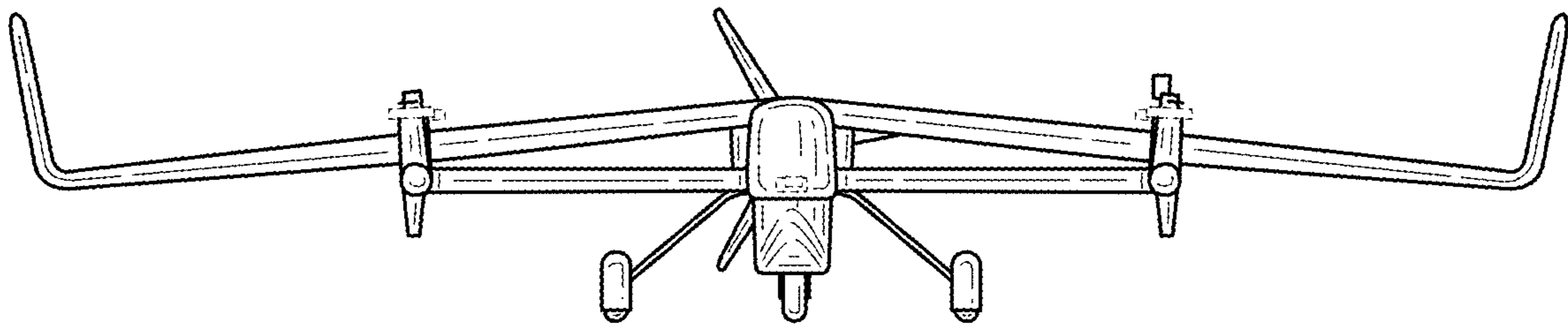


FIG. 8

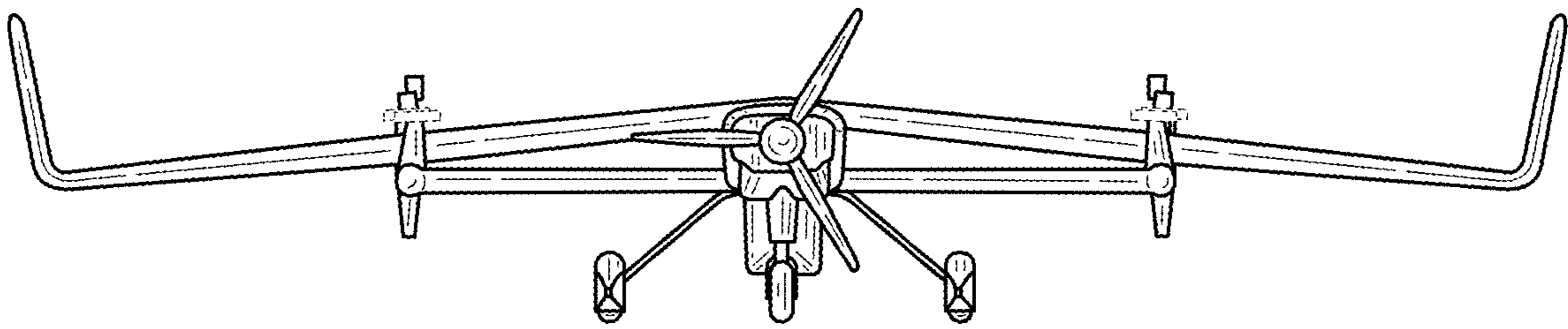


FIG. 9

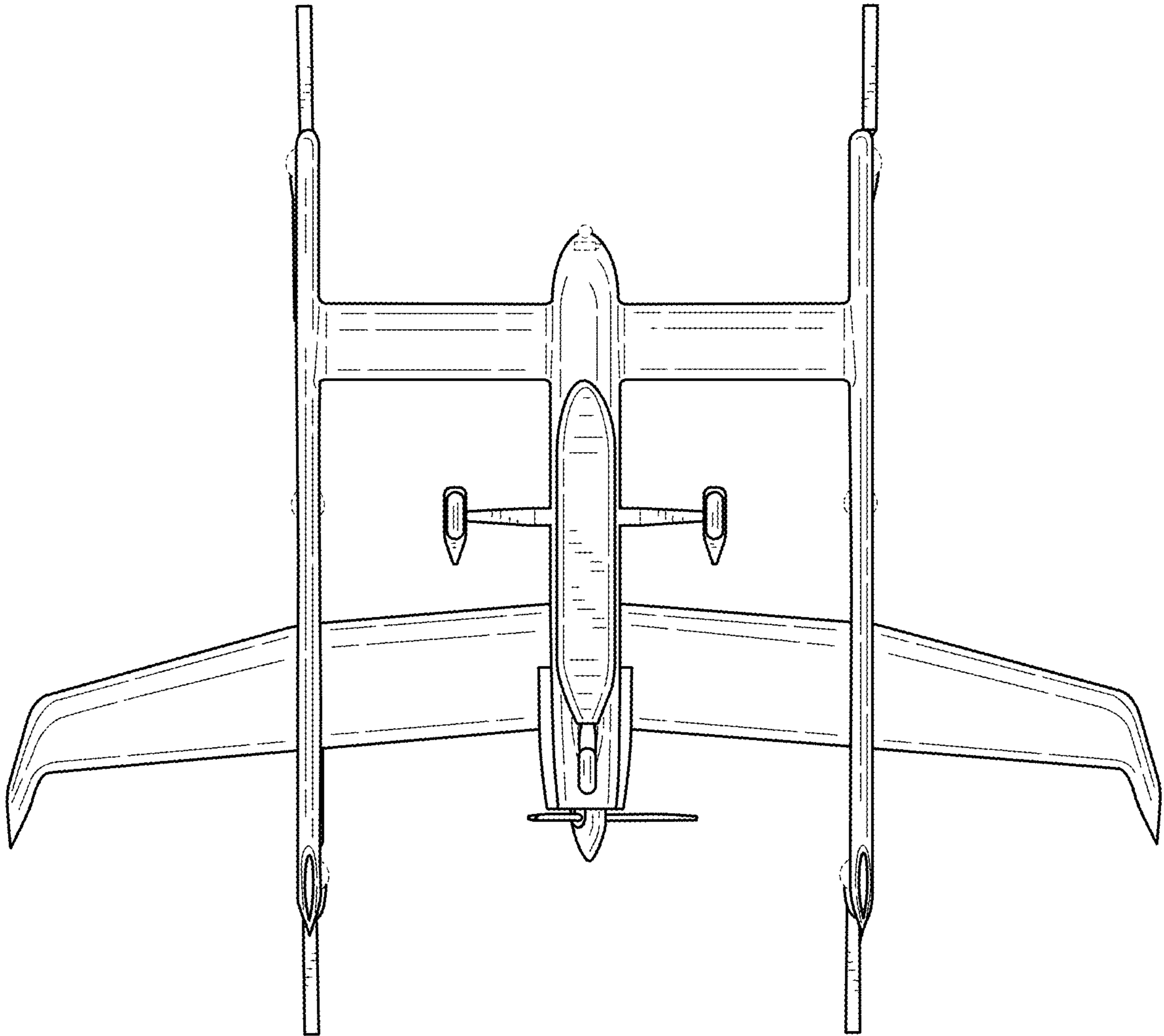


FIG.10

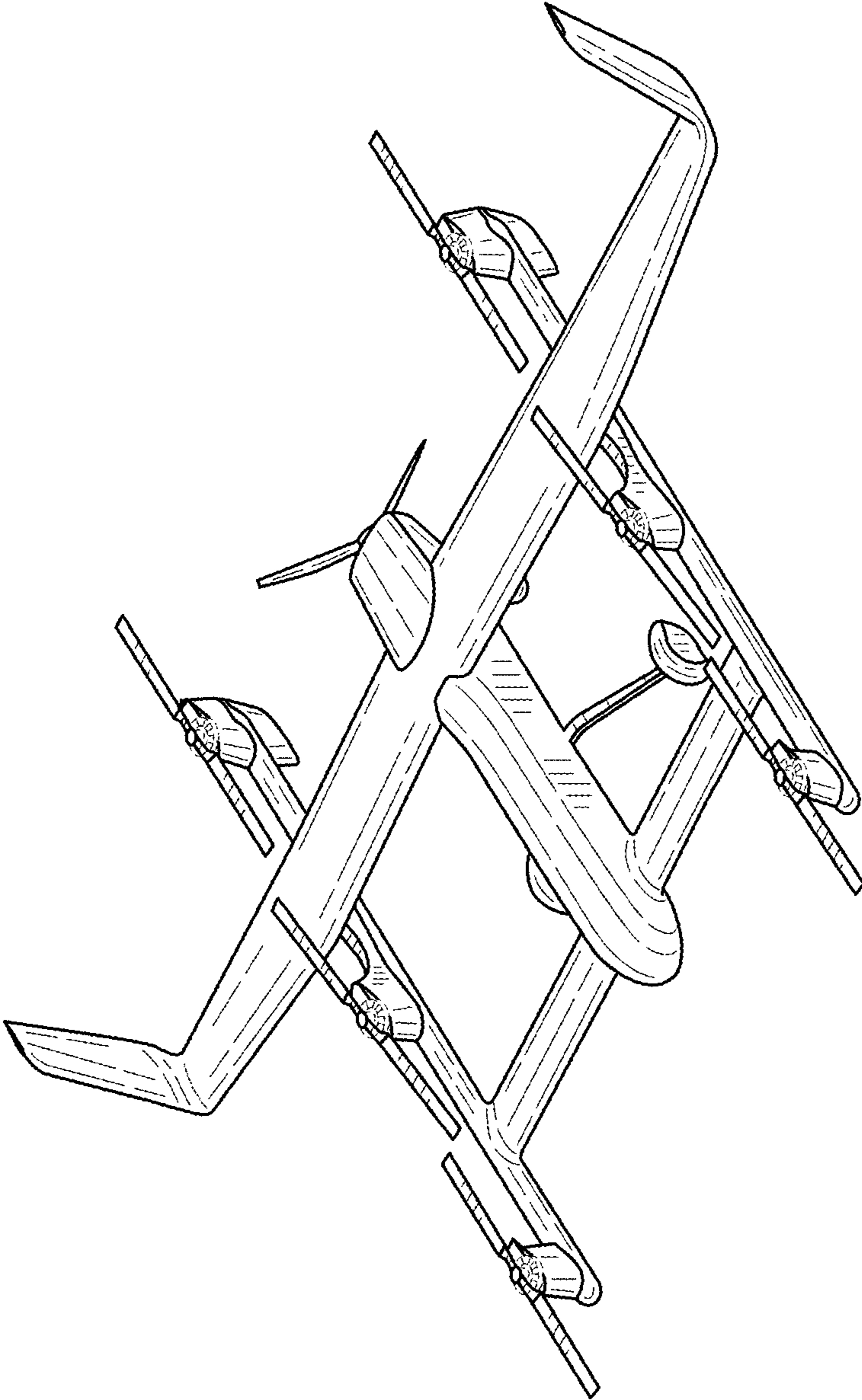


FIG.11

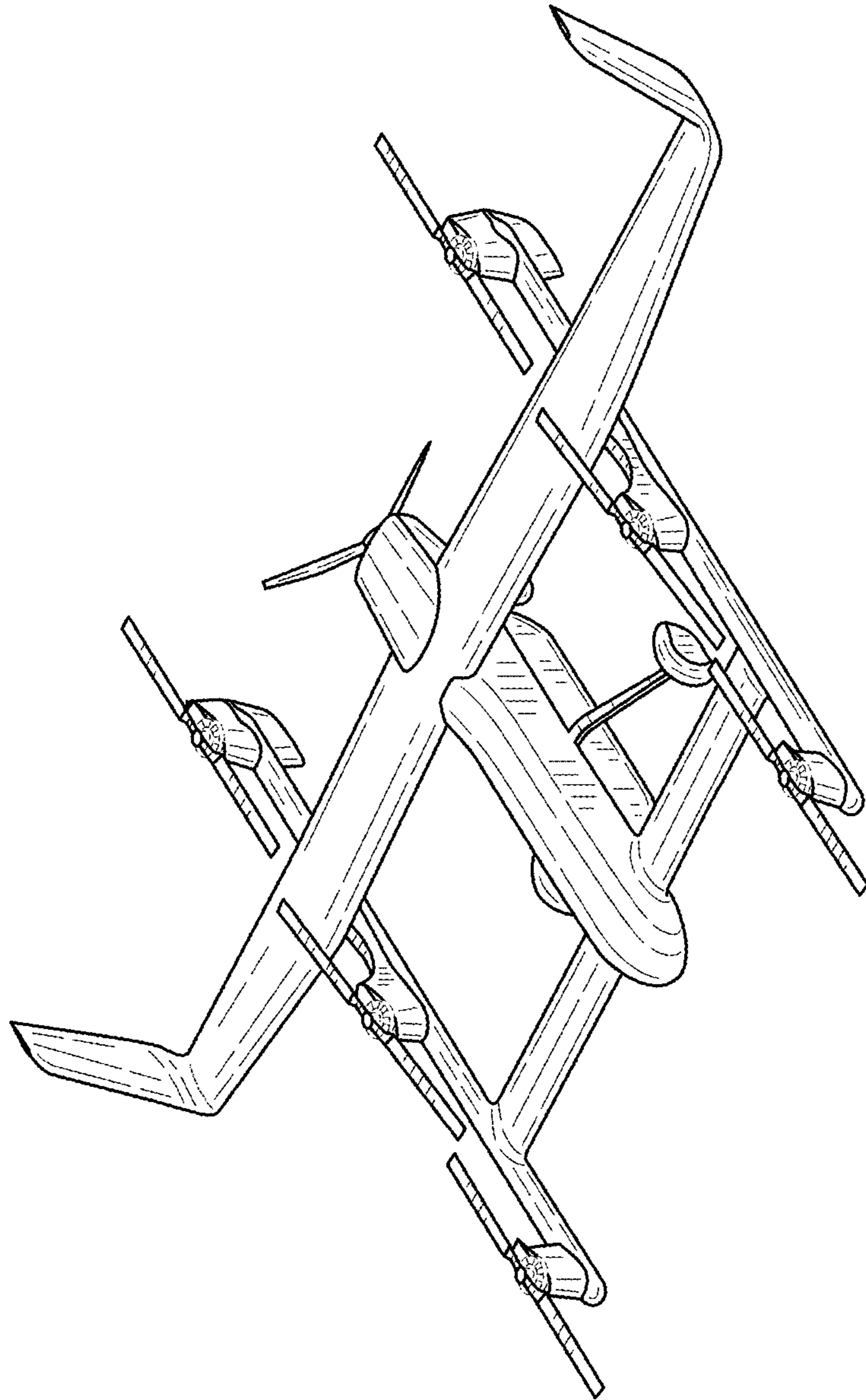


FIG.12