



US00D885298S

(12) **United States Design Patent** (10) **Patent No.:** **US D885,298 S**
Shima (45) **Date of Patent:** **** May 26, 2020**

(54) **PROPELLER BLADE**
(71) Applicant: **JAPAN AEROSPACE EXPLORATION AGENCY**, Tokyo (JP)
(72) Inventor: **Eiji Shima**, Tokyo (JP)
(73) Assignee: **JAPAN AEROSPACE EXPLORATION AGENCY**, Tokyo (JP)

D431,627 S * 10/2000 Etschel D12/214
D436,647 S * 1/2001 Etschel D23/200
D561,679 S * 2/2008 Wai D12/345
D576,541 S * 9/2008 Kiceniuk D12/214
D723,997 S * 3/2015 Foreman D12/214
D751,026 S * 3/2016 Tao D12/345
D755,703 S * 5/2016 Hanscom D12/16.1
D761,184 S * 7/2016 Xiao D12/214
D790,430 S * 6/2017 Ali D12/214
D792,318 S * 7/2017 Du D12/214
D798,219 S * 9/2017 Xiao D12/214
D820,917 S * 6/2018 Perryman D21/453
2009/0220347 A1 * 9/2009 Ball B64C 11/26
416/229 R
2012/0189457 A1 * 7/2012 Occhipinti B64C 11/16
416/235

(**) Term: **15 Years**

(21) Appl. No.: **29/681,929**

(22) Filed: **Feb. 28, 2019**

(30) **Foreign Application Priority Data**

Nov. 8, 2018 (JP) 2018-024546

(51) **LOC (12) Cl.** **12-16**

(52) **U.S. Cl.**
USPC **D12/214**

(58) **Field of Classification Search**
USPC D12/214, 317, 319, 344, 16.1, 328, 330,
D12/345; D15/4, 5; D13/115; D21/441;
D23/411, 413, 379
CPC B64C 11/00; B64C 11/02; B64C 11/16;
B64C 27/08; B64C 39/024; B64C
2201/108; B63H 1/18; B63H 1/20; B63H
1/26
See application file for complete search history.

(56) **References Cited**

U.S. PATENT DOCUMENTS

D252,390 S * 7/1979 Voisard 416/214 R
D353,572 S * 12/1994 Schlangen D12/214

* cited by examiner

Primary Examiner — Michelle E. Wilson
Assistant Examiner — Clese Moore, Jr.
(74) *Attorney, Agent, or Firm* — Saliwanchik, Lloyd & Eisenschenk

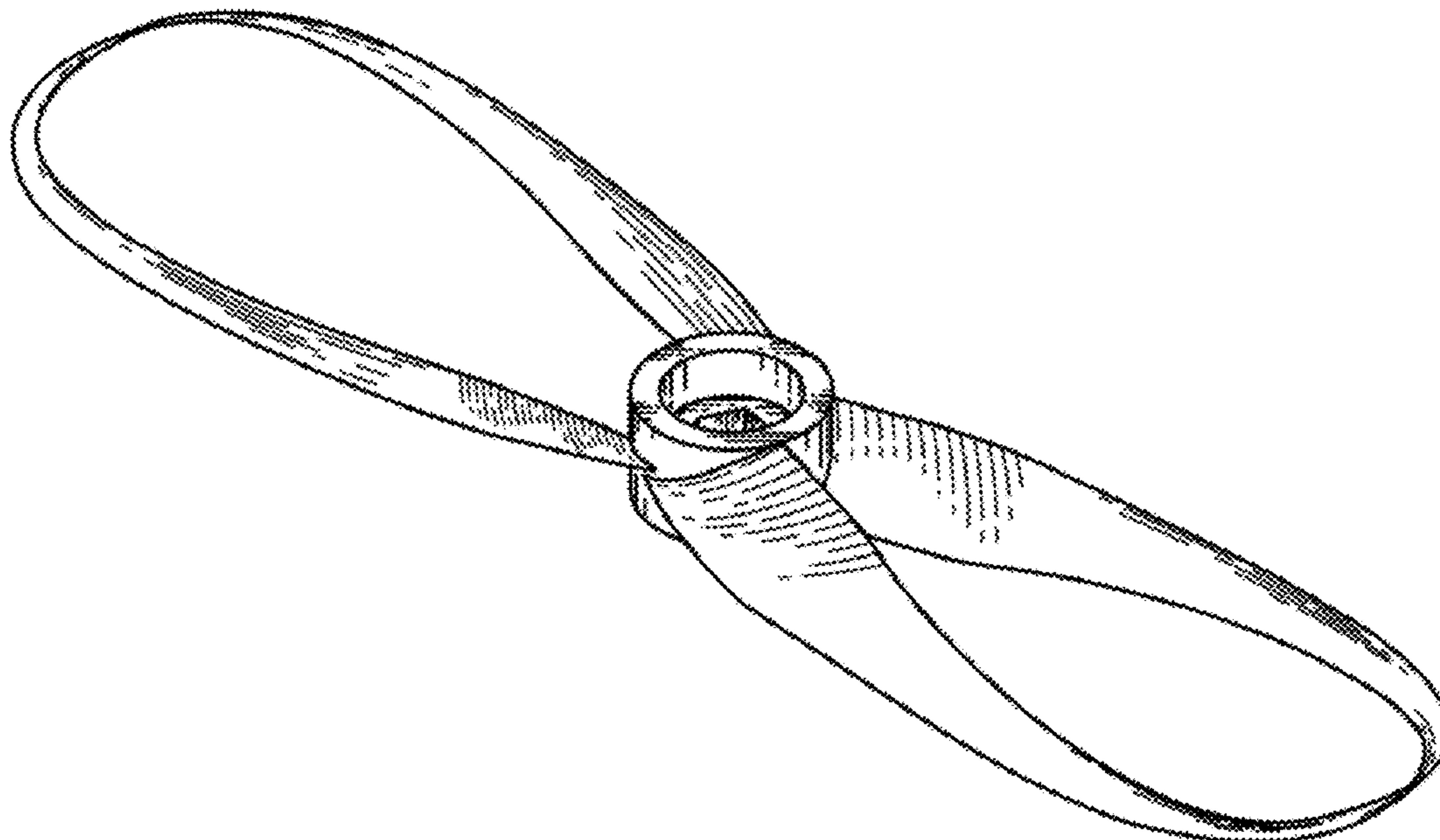
(57) **CLAIM**

The ornamental design for a propeller blade, as shown and described.

DESCRIPTION

FIG. 1 is a perspective view of a propeller blade showing my new design;
FIG. 2 is a front elevational view thereof;
FIG. 3 is a rear elevational view thereof;
FIG. 4 is a right side elevational view thereof;
FIG. 5 is a left side elevational view thereof;
FIG. 6 is a top plan view thereof; and,
FIG. 7 is a bottom plan view thereof.

1 Claim, 4 Drawing Sheets



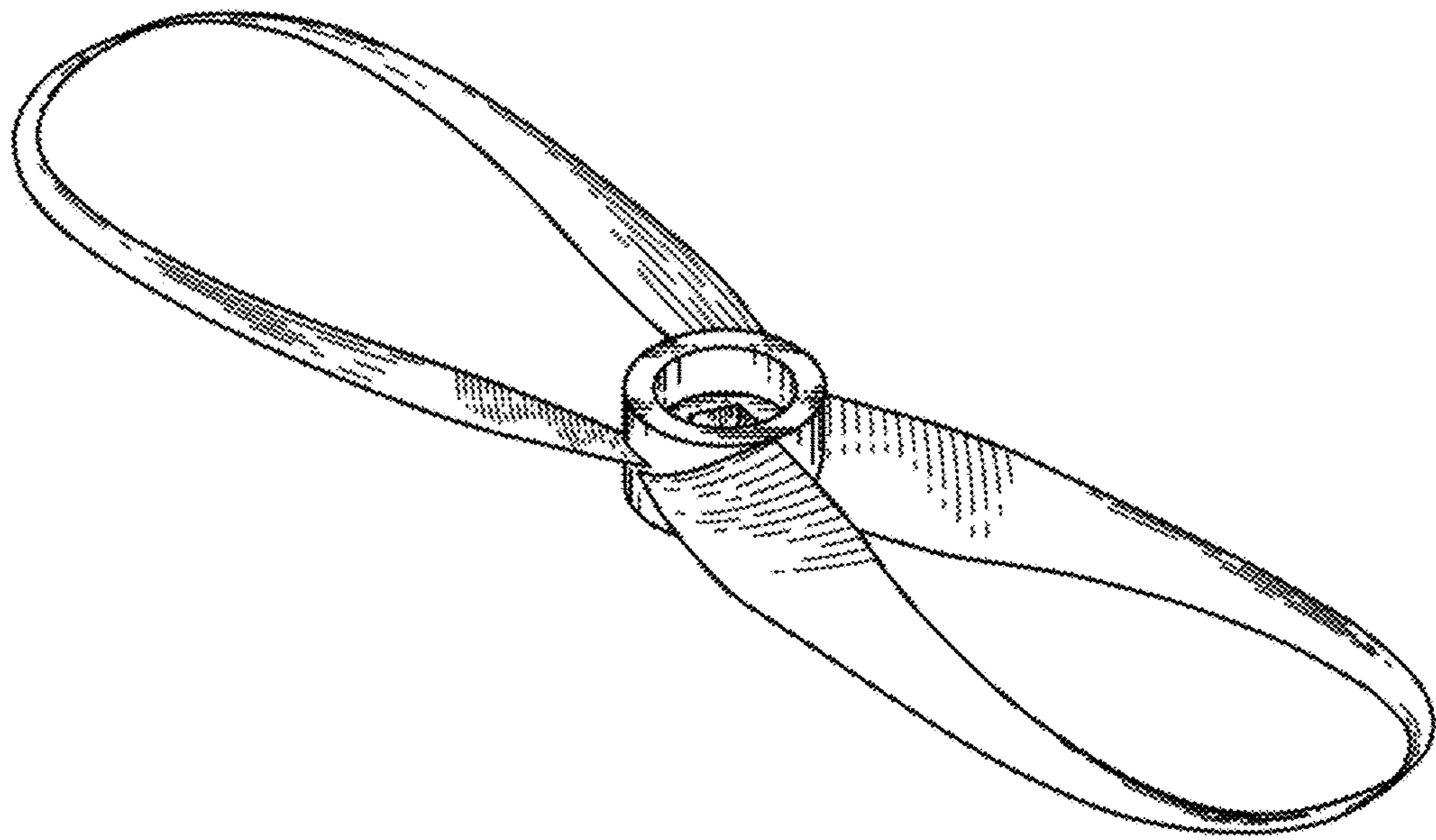


FIG. 1



FIG. 2



FIG. 3



FIG. 4



FIG. 5

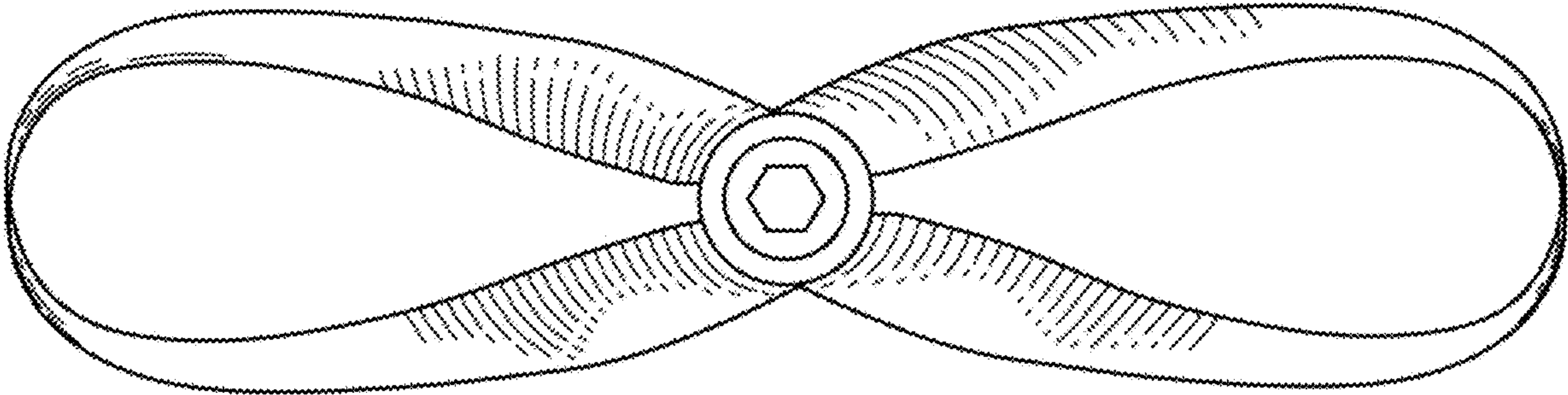


FIG. 6

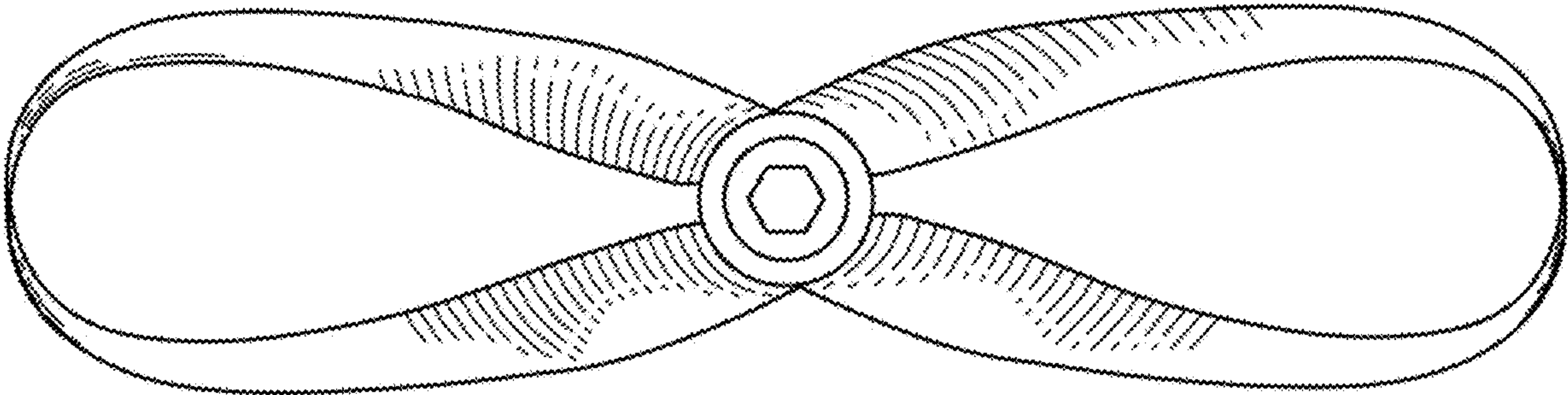


FIG. 7