



US00D885295S

(12) **United States Design Patent**
Han

(10) **Patent No.:** **US D885,295 S**

(45) **Date of Patent:** **** May 26, 2020**

(54) **AUTOMOTIVE WHEEL**

(71) Applicant: **Donnie Han**, Corona, CA (US)

(72) Inventor: **Donnie Han**, Corona, CA (US)

(**) Term: **15 Years**

(21) Appl. No.: **29/695,346**

(22) Filed: **Jun. 18, 2019**

(51) **LOC (12) Cl.** **12-16**

(52) **U.S. Cl.**
USPC **D12/211**

(58) **Field of Classification Search**
USPC D12/204-213; D21/563
CPC B60B 7/00; B60B 7/02; B60B 7/04; B60B
7/01; B60B 7/06; B60B 3/02; B60B 3/04;
B60B 3/06; B60B 3/10; B60B 1/10;
B60B 1/08; B60B 1/10; B60B 1/12
See application file for complete search history.

(56) **References Cited**

U.S. PATENT DOCUMENTS

D680,486 S * 4/2013 Zhao D12/211
D681,536 S * 5/2013 Zhao D12/211
D683,687 S * 6/2013 Alfonso D12/211

D685,311 S * 7/2013 Alfonso D12/211
D717,224 S * 11/2014 Kim D12/211
D749,031 S * 2/2016 Zhao D12/211
D753,047 S * 4/2016 Alfonso D12/211
D755,101 S * 5/2016 Gallert D12/211
D802,512 S * 11/2017 Kong D12/211
D828,270 S * 9/2018 Aslam D12/211
D830,932 S * 10/2018 Zhao D12/209
D833,943 S * 11/2018 Chung D12/209
D838,647 S * 1/2019 Han D12/209
D856,255 S * 8/2019 Johnson D12/209
D856,258 S * 8/2019 Zhao D12/211
D870,630 S * 12/2019 Ash D12/209
D870,632 S * 12/2019 Ash D12/209
D875,638 S * 2/2020 Johnson D12/209

* cited by examiner

Primary Examiner — Stacia A Cadmus

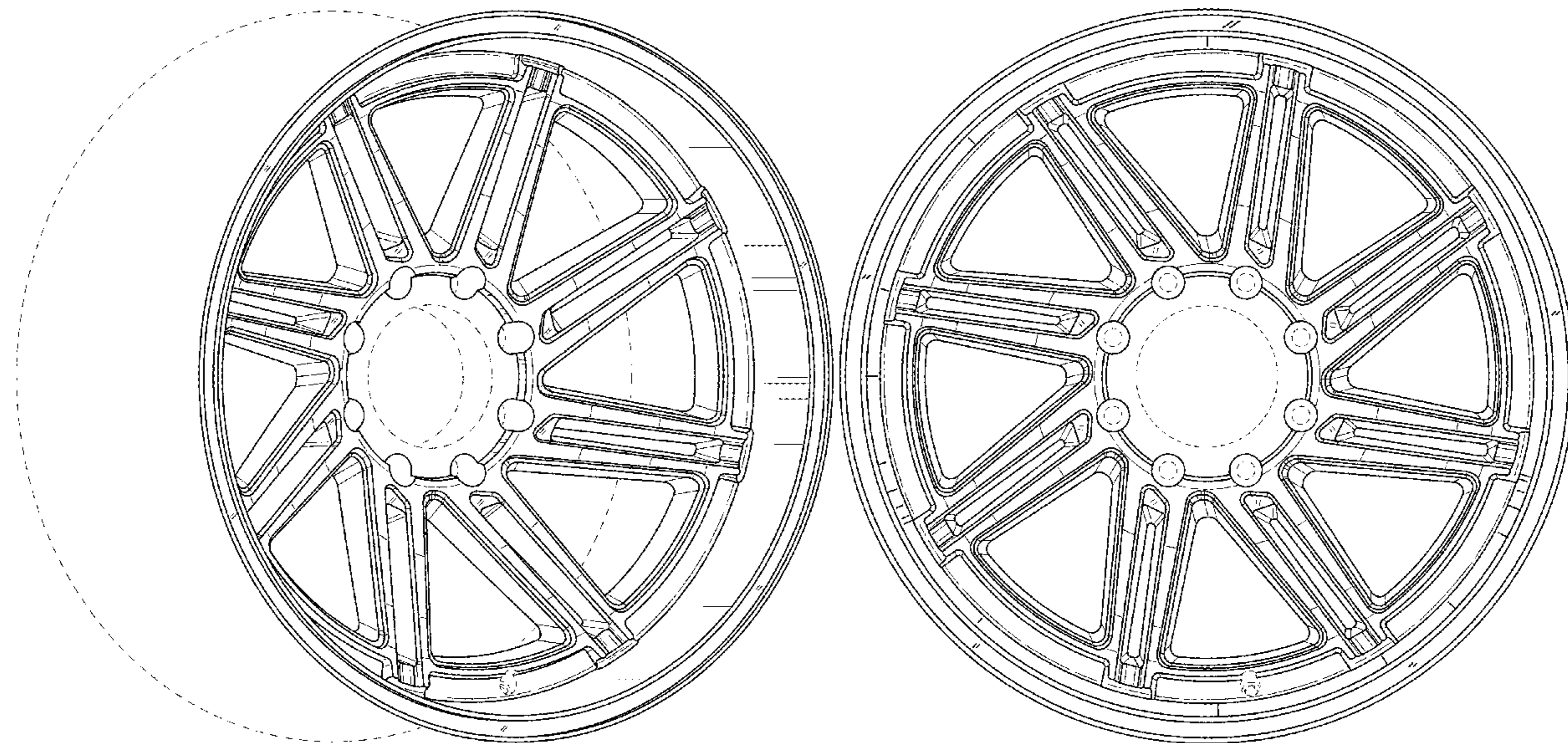
(57) **CLAIM**

The ornamental design for an automotive wheel, as shown and described.

DESCRIPTION

FIG. 1 is a perspective view of an automotive wheel, showing my new design; and, FIG. 2 is a front view thereof. In the drawings, the broken lines depict environmental subject matter and form no part of the claimed design.

1 Claim, 2 Drawing Sheets



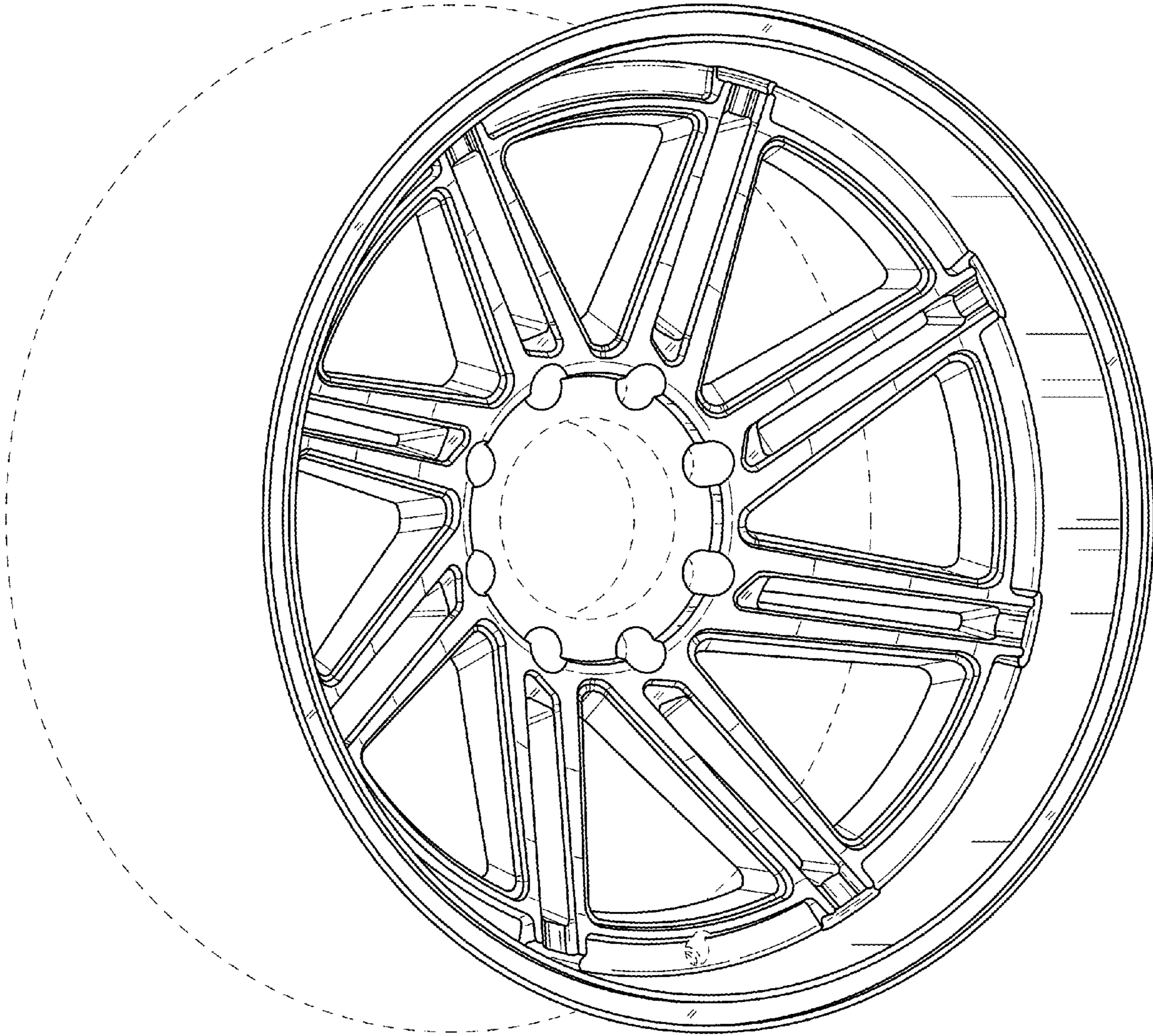


FIGURE 1

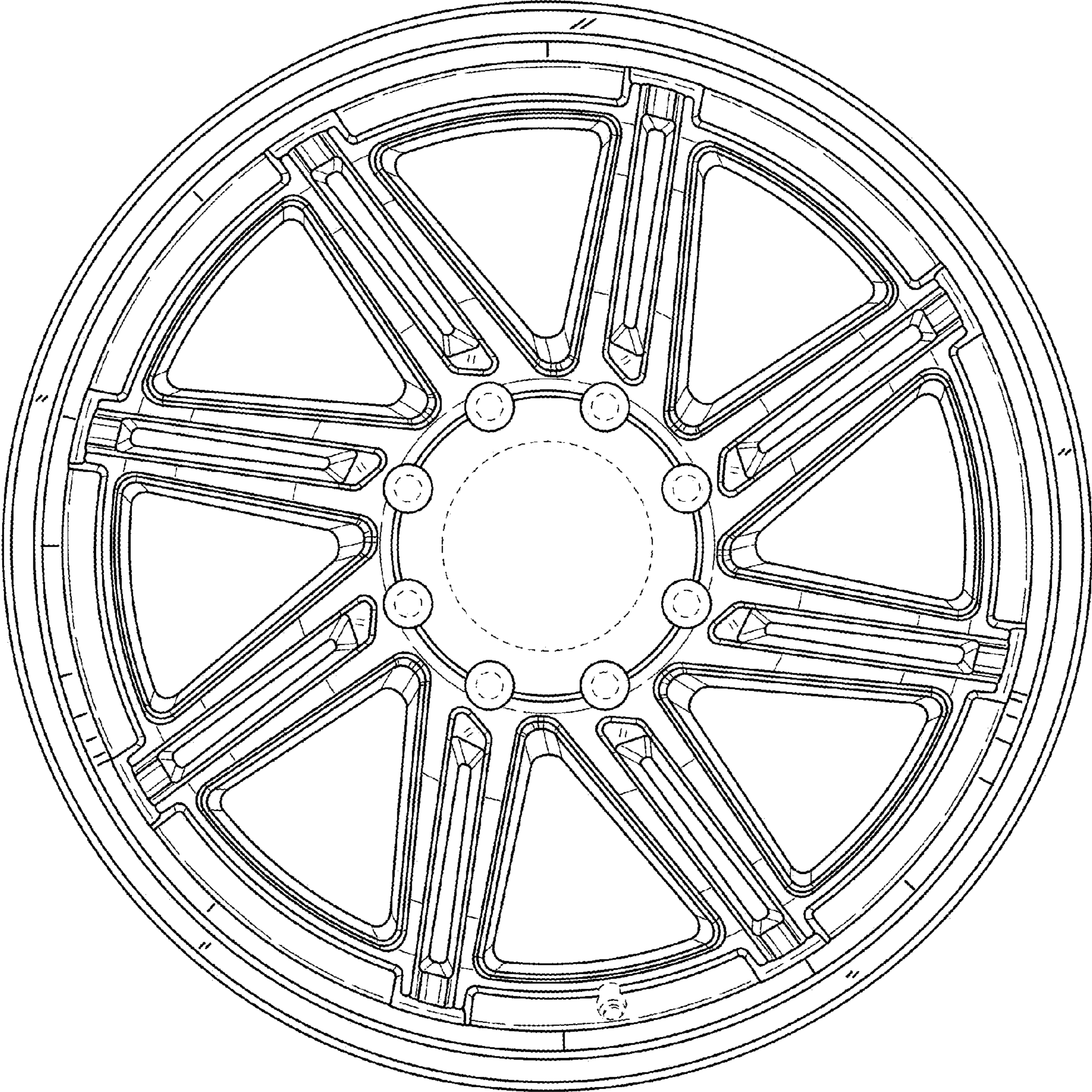


FIGURE 2