



US00D885290S

(12) **United States Design Patent**
Han

(10) **Patent No.:** **US D885,290 S**

(45) **Date of Patent:** **** May 26, 2020**

(54) **AUTOMOTIVE WHEEL**

(71) Applicant: **Donnie Han**, Corona, CA (US)

(72) Inventor: **Donnie Han**, Corona, CA (US)

(**) Term: **15 Years**

(21) Appl. No.: **29/690,953**

(22) Filed: **May 13, 2019**

(51) **LOC (12) Cl.** **12-16**

(52) **U.S. Cl.**
USPC **D12/209**

(58) **Field of Classification Search**
USPC D12/204–213; D21/563
CPC B60B 7/00; B60B 7/02; B60B 7/04; B60B
7/01; B60B 7/06; B60B 3/02; B60B 3/04;
B60B 3/06; B60B 3/10; B60B 1/00;
B60B 1/08; B60B 1/10; B60B 1/12
See application file for complete search history.

(56) **References Cited**

U.S. PATENT DOCUMENTS

D631,813 S *	2/2011	Nissl	D12/209
D635,078 S *	3/2011	Elmitt	D12/209
D642,967 S *	8/2011	Lamm	D12/209
D651,550 S *	1/2012	Elmitt	D12/209

D658,102 S *	4/2012	Nissl	D12/209
D660,217 S *	5/2012	Nissl	D12/209
D671,473 S *	11/2012	Zurian	D12/209
D686,129 S *	7/2013	Juergens	D12/209
D686,131 S *	7/2013	Nissl	D12/209
D714,704 S *	10/2014	Kim	D12/211
D729,719 S *	5/2015	Muntada Roura	D12/209
D753,575 S *	4/2016	Capristo	D12/211
D769,783 S *	10/2016	Rueckheim	D12/209
D770,960 S *	11/2016	Svensson	D12/211
D775,575 S *	1/2017	Kippes	D12/209
D788,676 S *	6/2017	Payne	D12/209
D797,026 S *	9/2017	Khachatryan	D12/209
D822,573 S *	7/2018	Juergens	D12/209
D851,010 S *	6/2019	Sze	D12/209

* cited by examiner

Primary Examiner — Stacia A Cadmus

(57) **CLAIM**

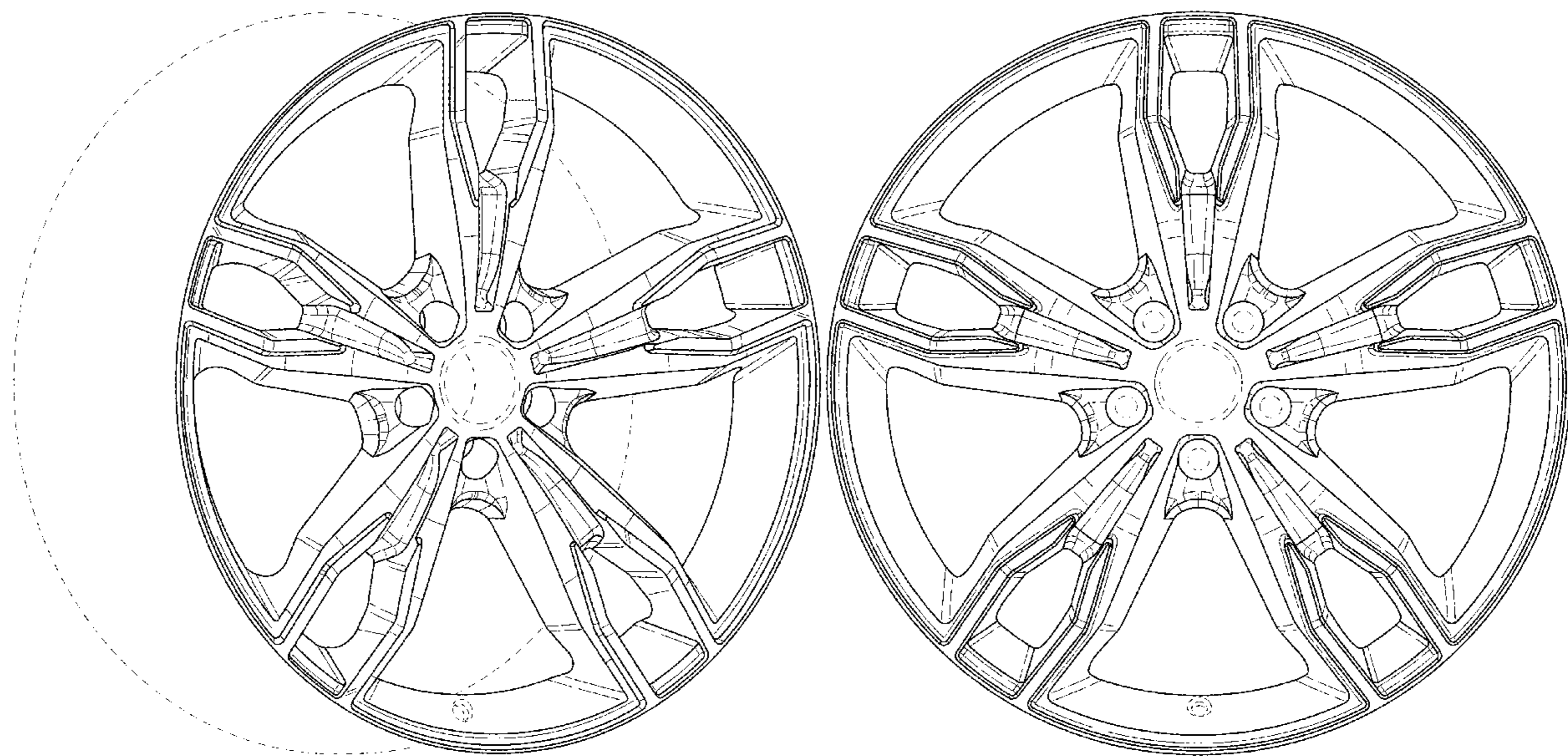
The ornamental design for an automotive wheel, as shown and described.

DESCRIPTION

FIG. 1 is a perspective view of an automotive wheel, showing my new design; and, FIG. 2 is a front view thereof.

In the drawings, the broken lines depict environmental subject matter and form no part of the claimed design.

1 Claim, 2 Drawing Sheets



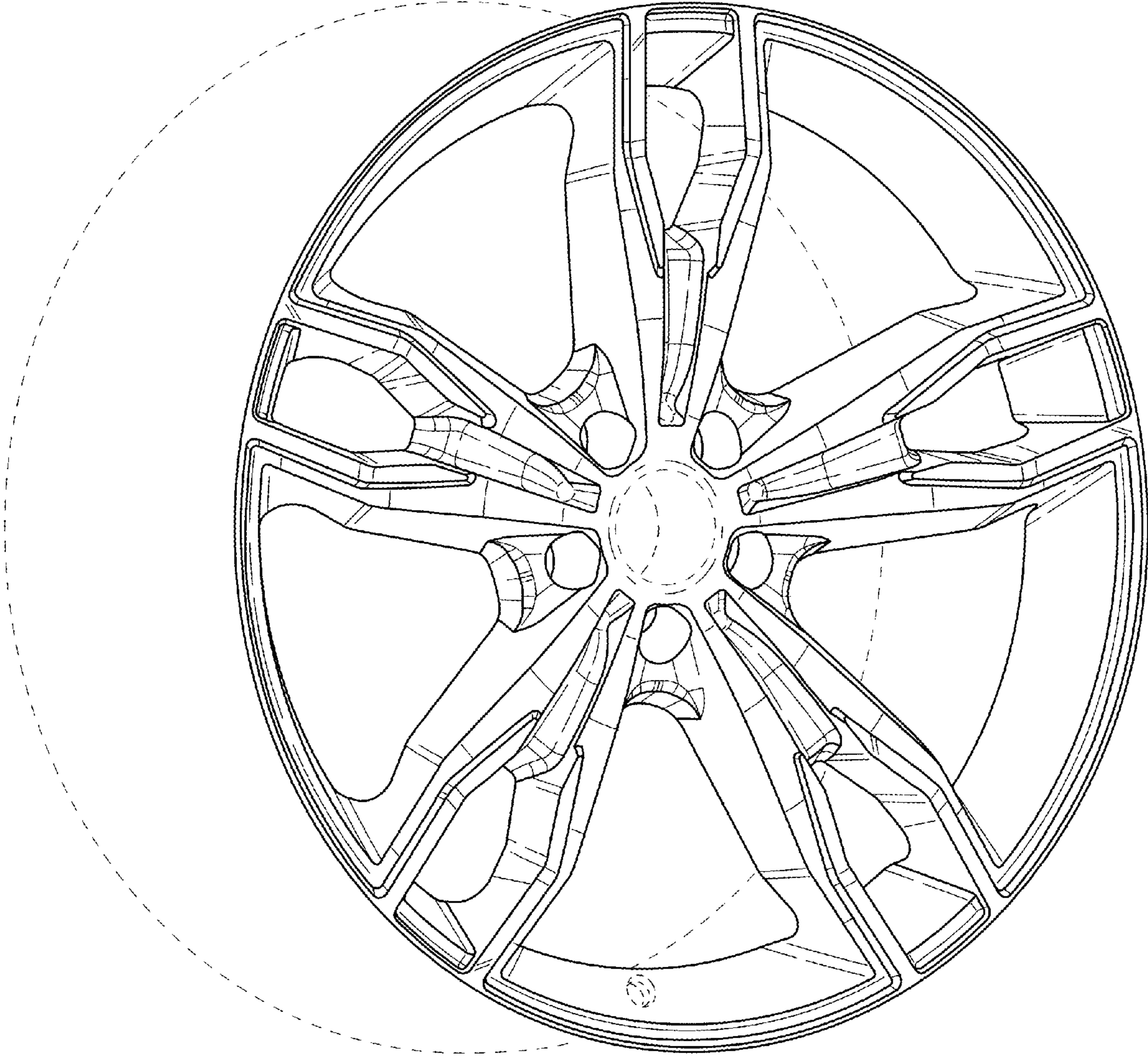


FIGURE 1

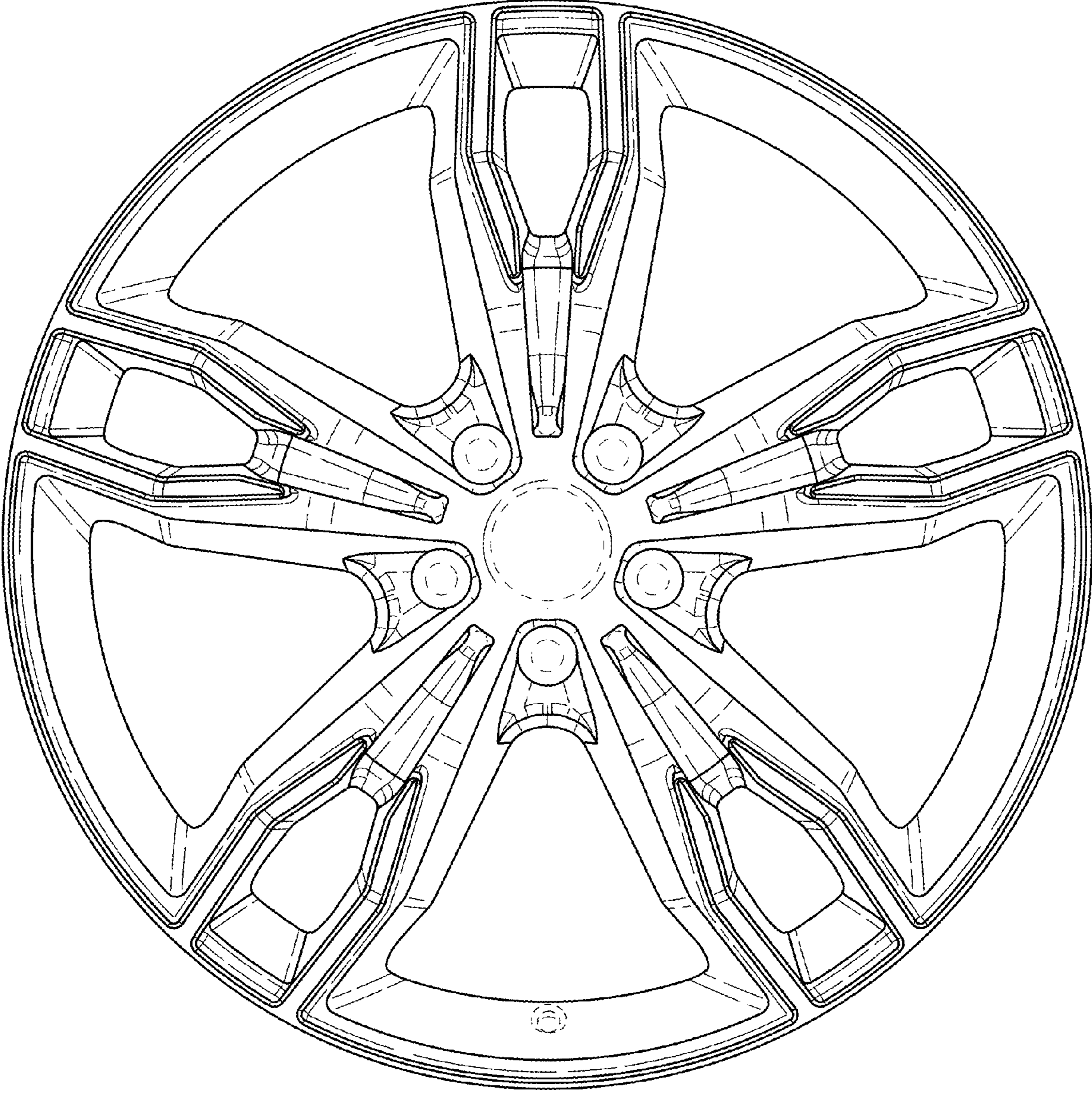


FIGURE 2