



US00D885286S

(12) **United States Design Patent**
Lee

(10) **Patent No.:** **US D885,286 S**

(45) **Date of Patent:** **** May 26, 2020**

(54) **AUTOMOTIVE WHEEL**

(71) Applicant: **MKW Alloy, Inc.**, City of Industry, CA (US)

(72) Inventor: **Kevin Lee**, Yorba Linda, CA (US)

(73) Assignee: **MKW Alloy, Inc.**, City of Industry, CA (US)

(**) Term: **15 Years**

(21) Appl. No.: **29/673,360**

(22) Filed: **Dec. 13, 2018**

(51) **LOC (12) Cl.** **12-16**

(52) **U.S. Cl.**
USPC **D12/209**

(58) **Field of Classification Search**
USPC D12/204–213; D21/563
CPC B60B 7/00; B60B 7/02; B60B 7/04; B60B 7/01; B60B 7/06; B60B 3/02; B60B 3/04; B60B 3/06; B60B 3/10; B60B 1/00; B60B 1/08; B60B 1/10; B60B 1/12
See application file for complete search history.

(56) **References Cited**

U.S. PATENT DOCUMENTS

D256,457 S *	8/1980	Blanchard	D12/211
D256,687 S *	9/1980	Zielinski	D12/205
D260,510 S *	9/1981	Powers	D12/211
D572,186 S *	7/2008	Viandante	D12/211
D593,022 S *	5/2009	Forster	D12/211
D610,517 S *	2/2010	Leng	D12/211

D613,227 S *	4/2010	Mueller-Stolz	D12/209
D663,671 S *	7/2012	Song	D12/211
D682,763 S *	5/2013	Song	D12/211
D684,517 S *	6/2013	Scheinhutte	D12/211
D723,990 S *	3/2015	Muntada Roura	D12/209
D731,388 S *	6/2015	Gotschke	D12/211
D780,661 S *	3/2017	Zhao	D12/211
D791,055 S *	7/2017	Valencia Pollex	D12/211
D830,267 S *	10/2018	Chung	D12/209
D839,811 S *	2/2019	Shen	D12/209
D859,265 S *	9/2019	Guidry	D12/209
D860,092 S *	9/2019	Milani	D12/209
D864,074 S *	10/2019	Badstuebner	D12/209
D865,616 S *	11/2019	Tran	D12/209
D865,618 S *	11/2019	O'Neill	D12/209

* cited by examiner

Primary Examiner — Stacia A Cadmus

(74) *Attorney, Agent, or Firm* — Ahn IP Law

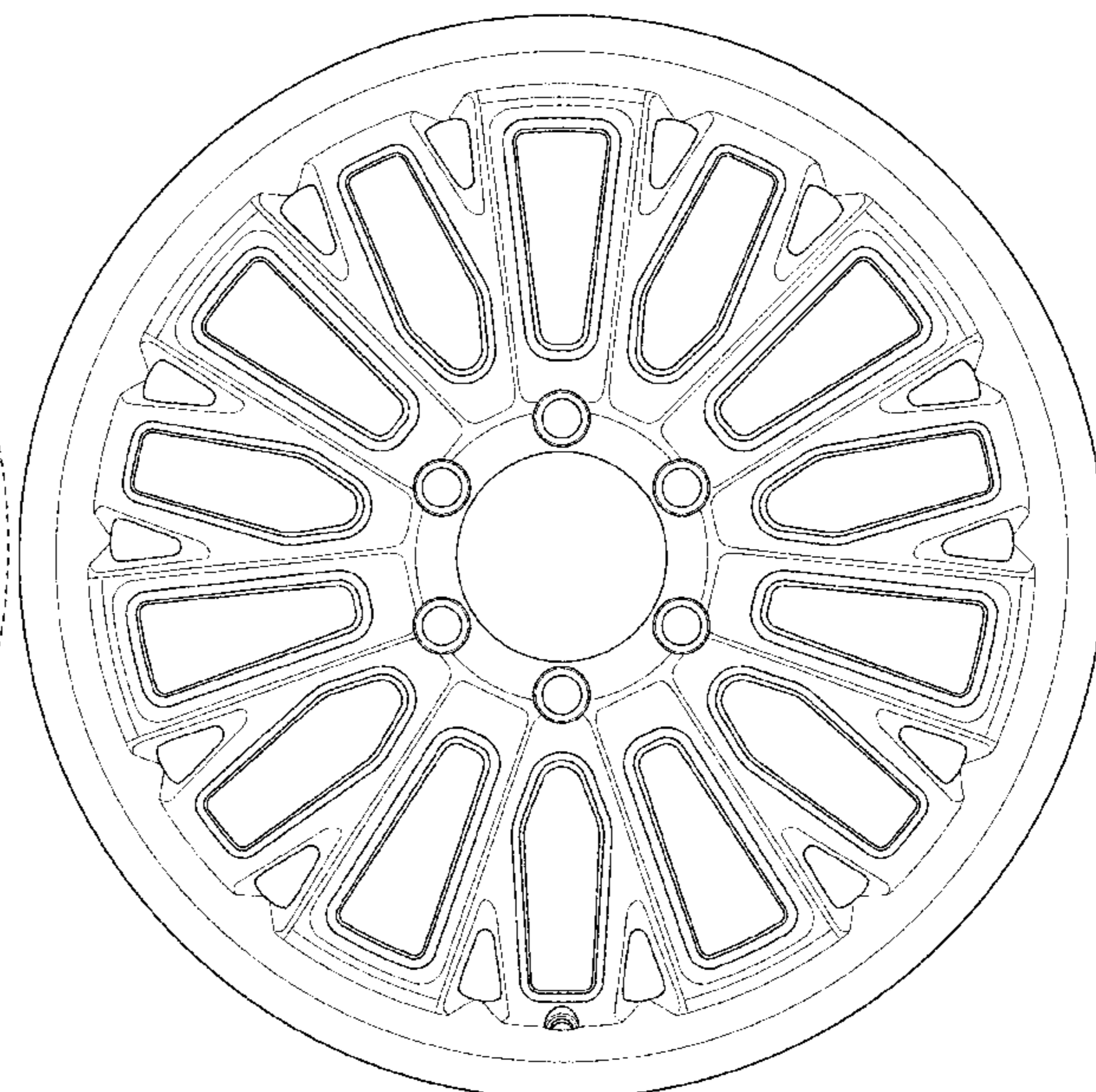
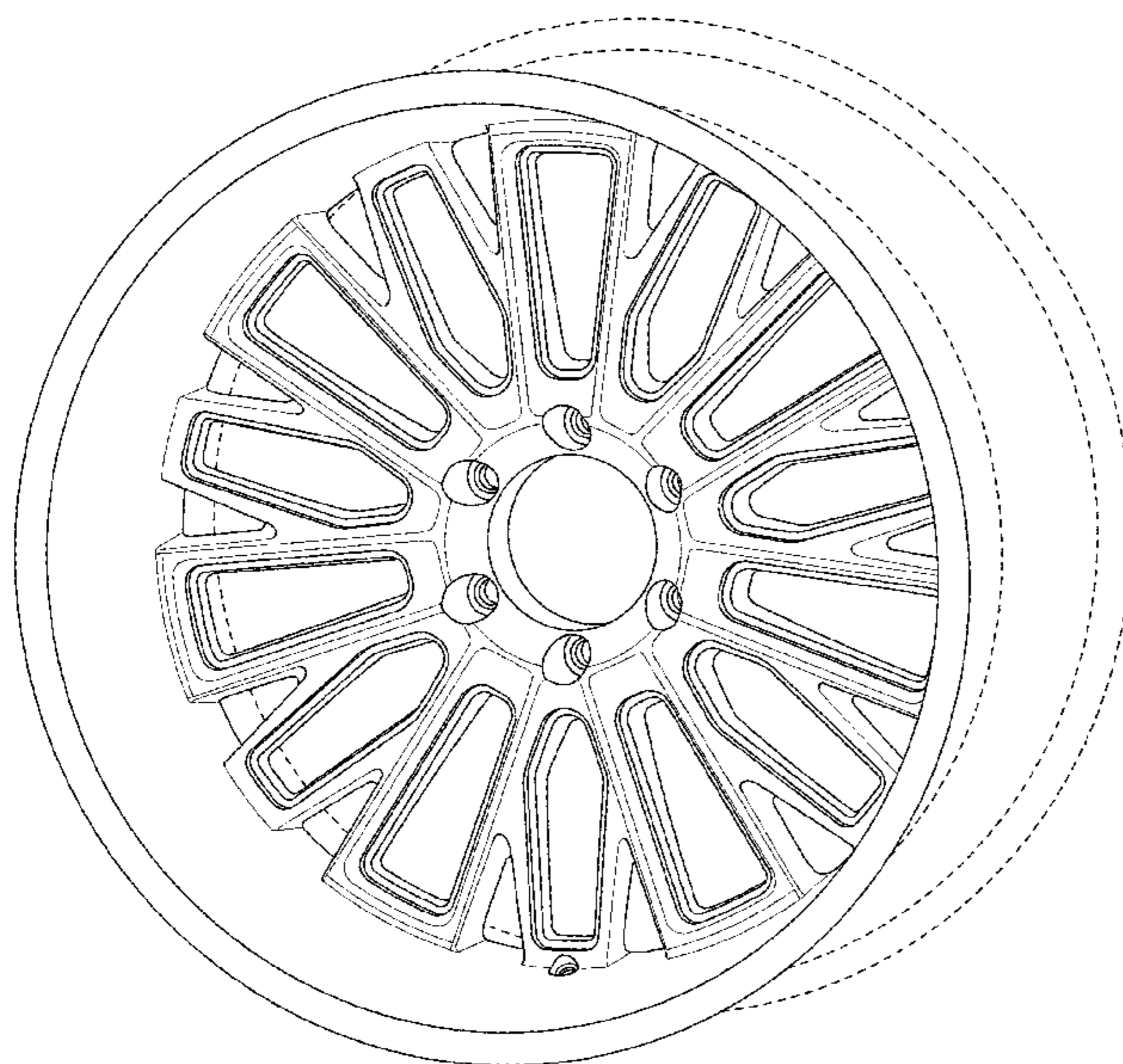
(57) **CLAIM**

The ornamental design for an automotive wheel, as shown and described.

DESCRIPTION

FIG. 1 is a perspective view of an automotive wheel, showing my new design;
FIG. 2 is a front view thereof;
FIG. 3 is a perspective view of a second embodiment of an automotive wheel, showing my new design; and,
FIG. 4 is a front view of the wheel shown in FIG. 3.
The broken lines shown in the figures are included for the purpose of illustrating the environment and form no part of the claimed design.

1 Claim, 4 Drawing Sheets



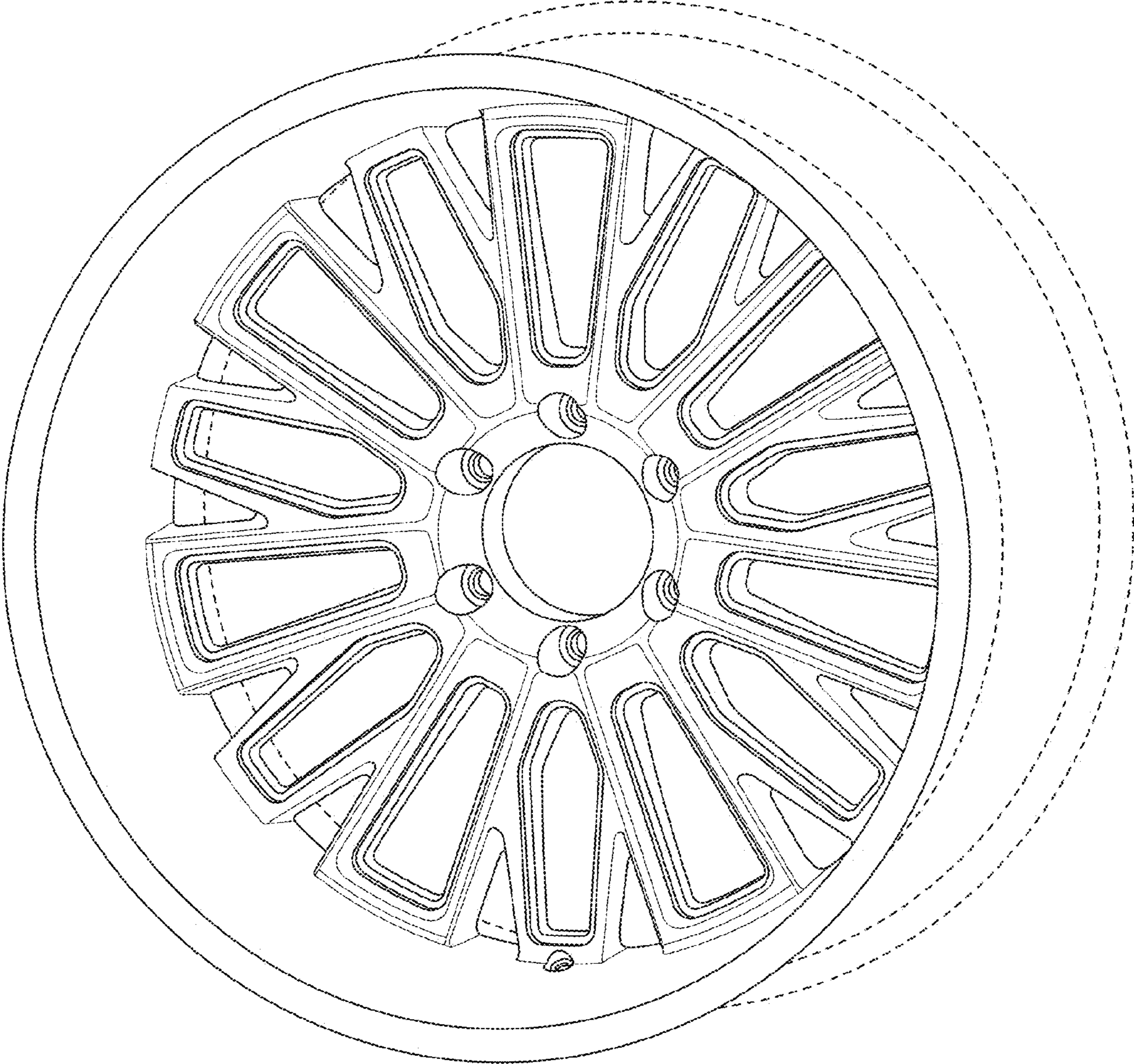


FIG. 1

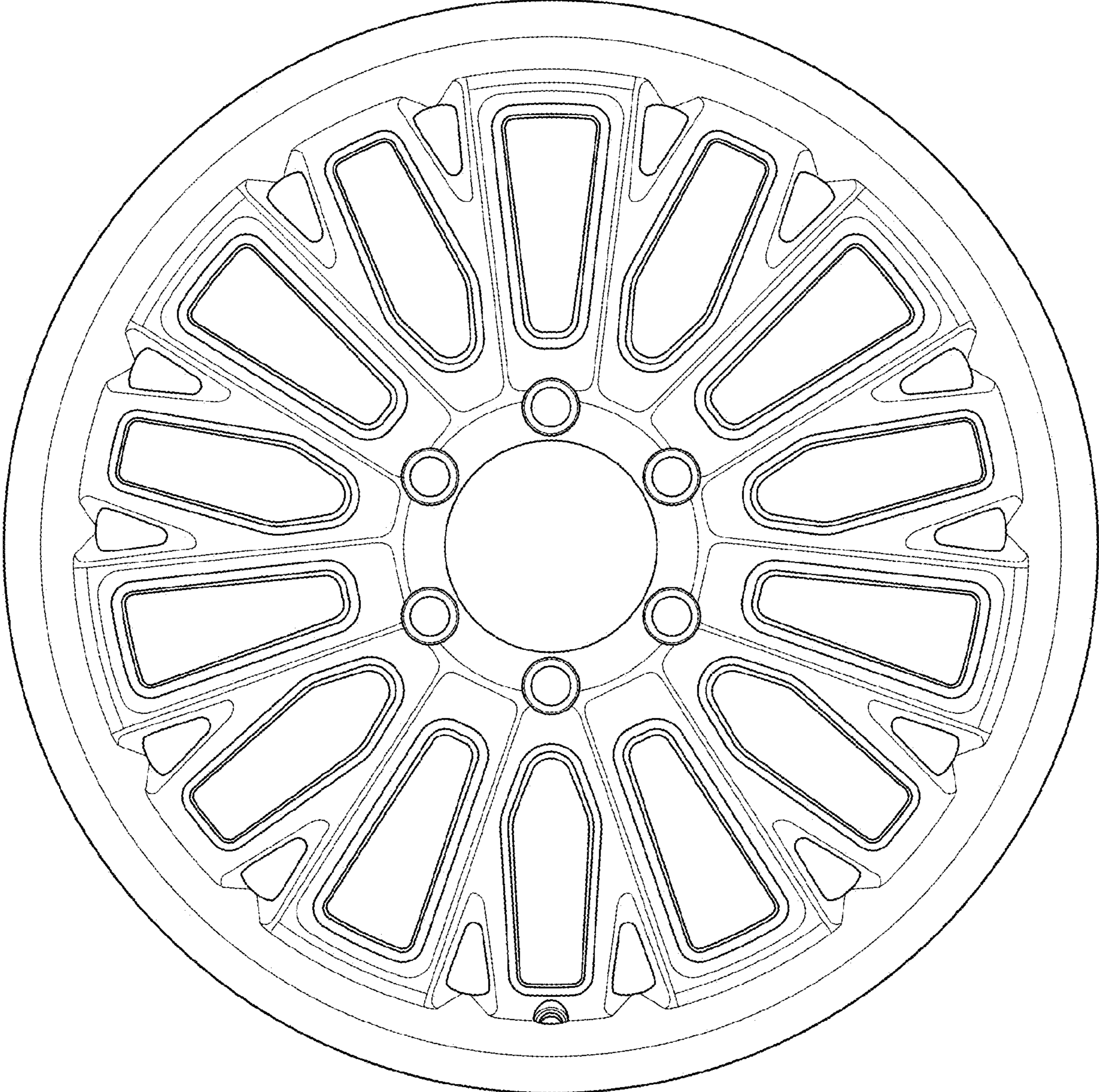


FIG. 2

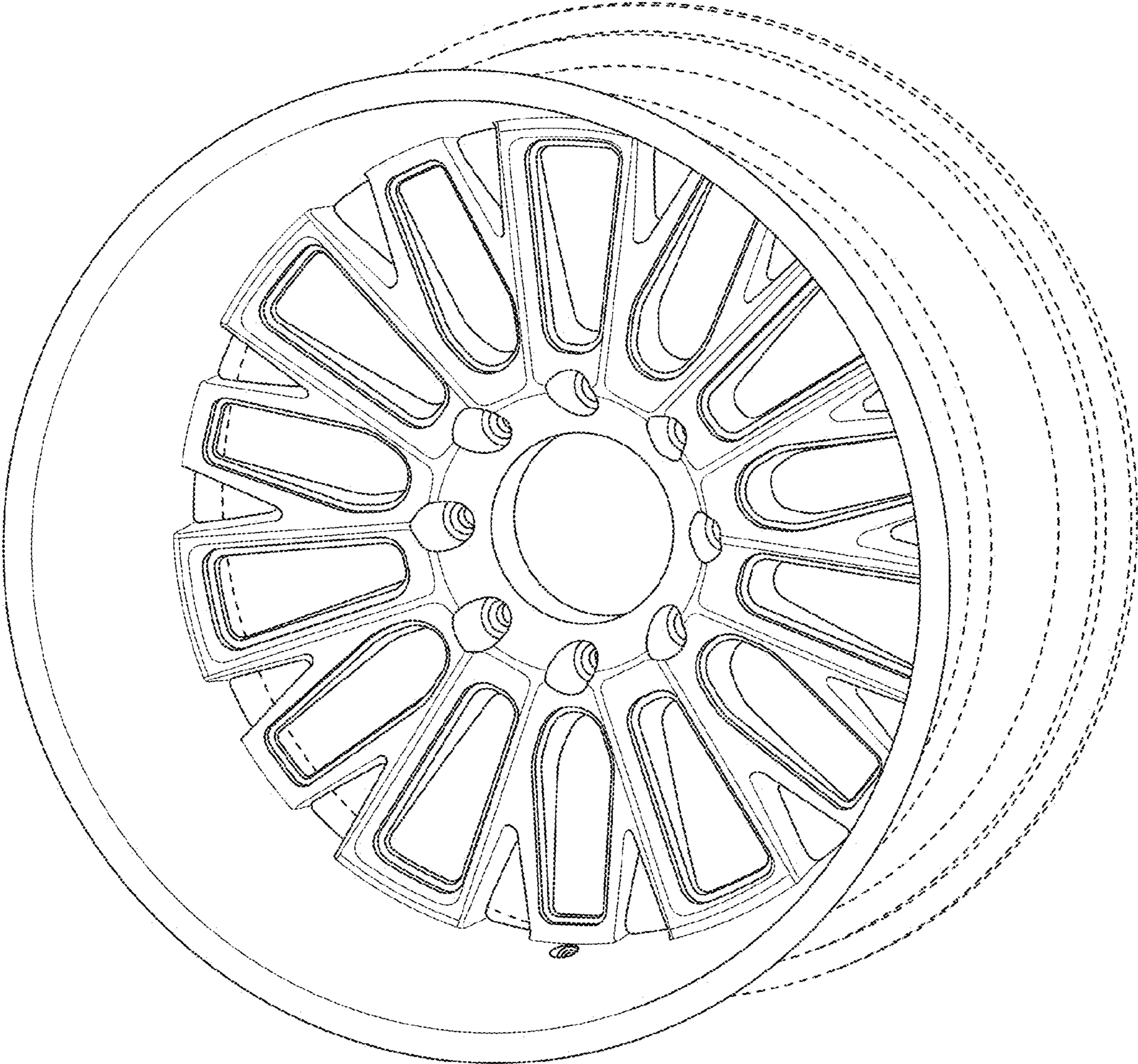


FIG. 3

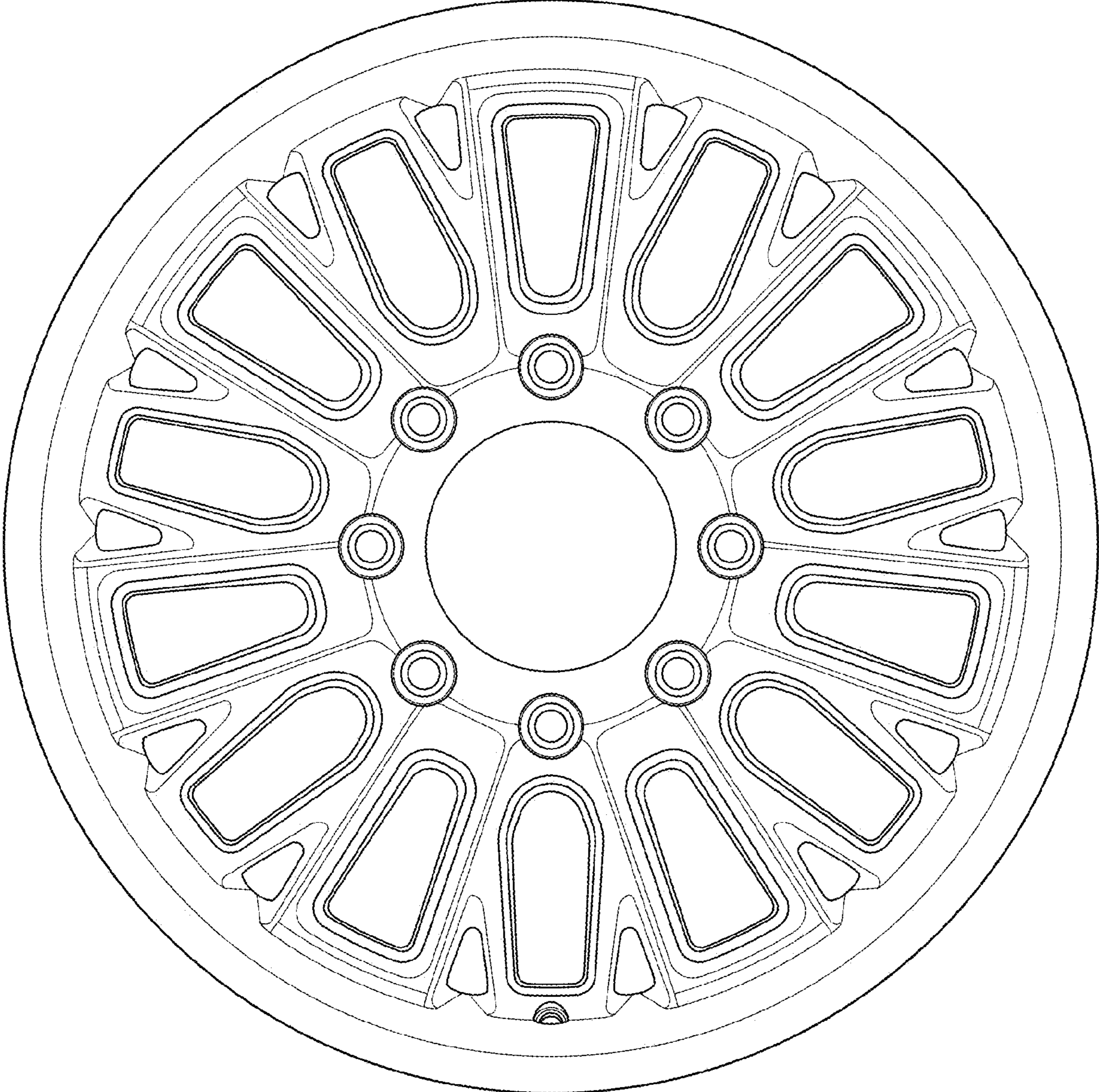


FIG. 4