



US00D885283S

(12) **United States Design Patent** (10) **Patent No.:** **US D885,283 S**  
**Moctezuma** (45) **Date of Patent:** **\*\* May 26, 2020**

(54) **STEP PAD OF A STEP BAR FOR VEHICLES**

(71) Applicant: **Westin Automotive Products, Inc.**,  
San Dimas, CA (US)

(72) Inventor: **Jose Eduardo Lopez Moctezuma**,  
Imperial, CA (US)

(73) Assignee: **Westin Automotive Products, Inc.**,  
San Dimas, CA (US)

(\*\*) Term: **15 Years**

(21) Appl. No.: **29/673,483**

(22) Filed: **Dec. 14, 2018**

**Related U.S. Application Data**

(62) Division of application No. 29/626,910, filed on Nov. 21, 2017, now Pat. No. Des. 842,790.

(51) **LOC (12) Cl.** ..... **12-16**

(52) **U.S. Cl.**  
USPC ..... **D12/203**

(58) **Field of Classification Search**  
USPC ..... D12/203, 98, 314, 162, 190, 196, 414  
CPC .. B60R 3/002; B60R 3/02; B60R 3/00; B60R  
3/005; B60R 3/007  
See application file for complete search history.

(56) **References Cited**

**U.S. PATENT DOCUMENTS**

D436,336 S *	1/2001	Sadr .....	D12/203
D473,178 S *	4/2003	Schumacher .....	D12/203
D506,716 S *	6/2005	Hall .....	D12/196
D535,928 S *	1/2007	Crandall .....	D12/203
D536,651 S *	2/2007	Polka .....	D12/203
D546,259 S *	7/2007	Metros .....	D12/203
7,287,770 B2 *	10/2007	Drabant .....	B60R 3/002 280/163

D632,627 S *	2/2011	Huang-Tsai .....	D12/203
D676,368 S *	2/2013	Cover .....	D12/203
8,448,968 B1 *	5/2013	Grote .....	B60R 3/002 280/163
D738,803 S *	9/2015	Zhu .....	D12/203
9,409,520 B1 *	8/2016	Wang .....	F16B 5/126
D794,525 S *	8/2017	Chen .....	D12/203
D817,838 S *	5/2018	Dionisopoulos .....	D12/203
D818,924 S *	5/2018	Baeza .....	D12/203
2012/0104718 A1 *	5/2012	Alvarez .....	B60R 3/00 280/163
2017/0036596 A1 *	2/2017	Yang .....	B60Q 1/323

\* cited by examiner

*Primary Examiner* — Michelle E. Wilson

*Assistant Examiner* — Clese Moore, Jr.

(74) *Attorney, Agent, or Firm* — The Dobrusin Law Firm,  
PC

(57) **CLAIM**

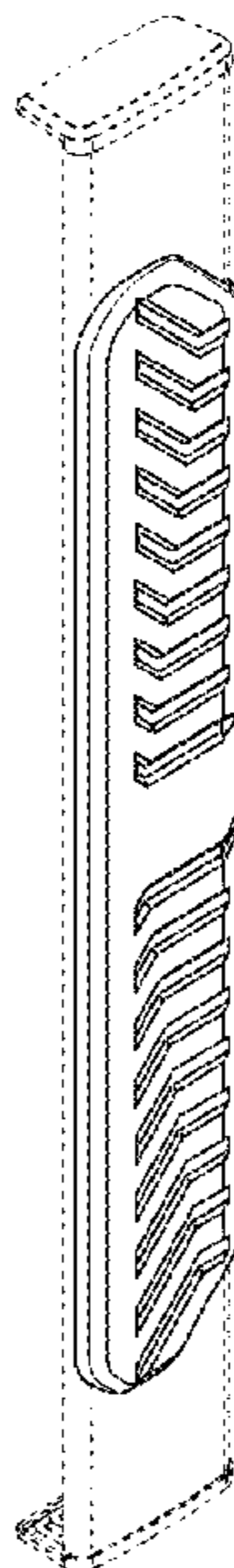
The ornamental design for a step pad of a step bar for vehicles, as shown and described.

**DESCRIPTION**

FIG. 1 is a front perspective view of a step pad of a step bar for vehicles of the present invention; FIG. 2 is a top view of the step pad shown in FIG. 1; FIG. 3 is a bottom view of the step pad shown in FIG. 1; FIG. 4 is a front view of the step pad shown in FIG. 1; FIG. 5 is a rear view of the step pad shown in FIG. 1; and, FIG. 6 is a side view of the step pad shown in FIG. 1 with the other side being a mirror image.

The ornamental design which is claimed is shown in the solid lines in the drawings. The broken lines shown in the drawings are for the purpose of illustrating environmental structure and form no part of the claimed design.

**1 Claim, 6 Drawing Sheets**



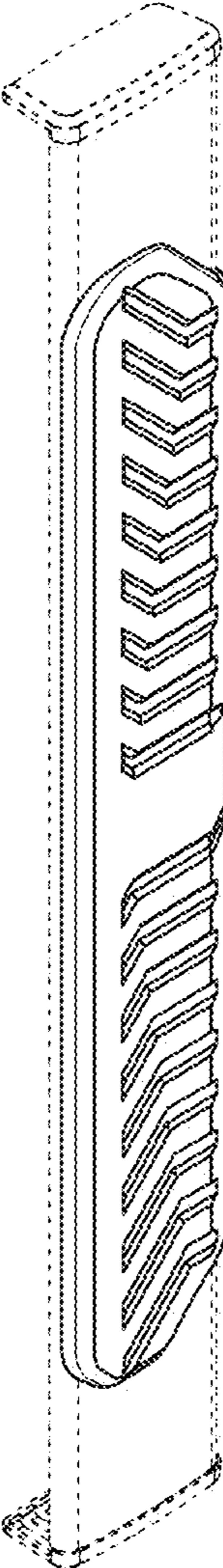


FIG. 1

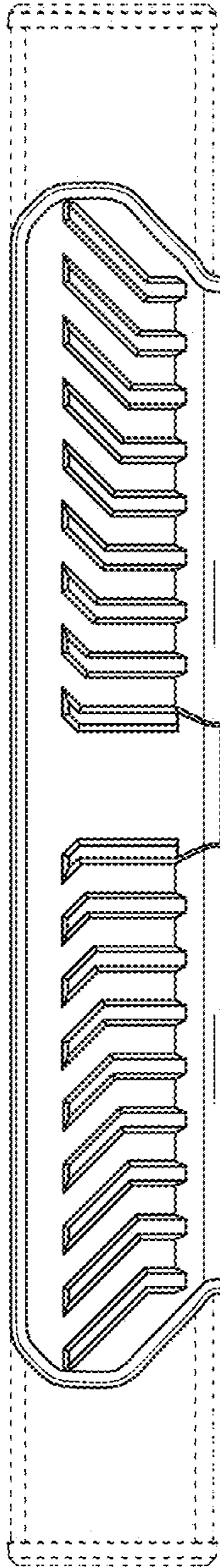


FIG. 2

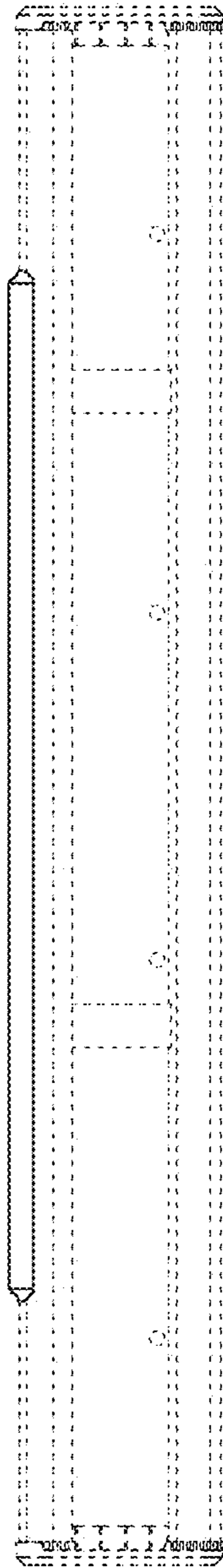


FIG. 3

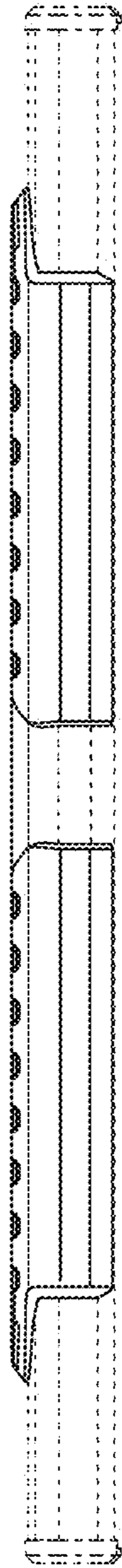


FIG. 4

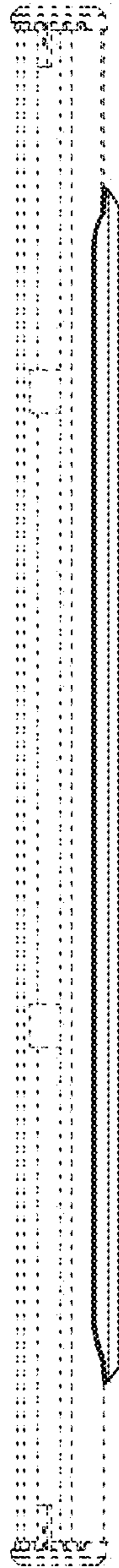


FIG. 5

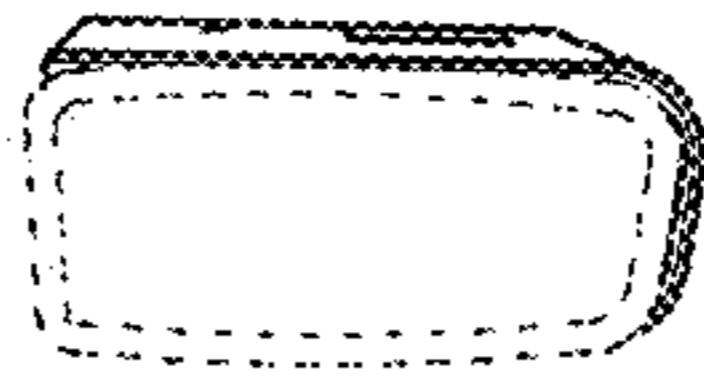


FIG. 6