



US00D885278S

(12) **United States Design Patent**
Jeon et al.

(10) **Patent No.:** **US D885,278 S**

(45) **Date of Patent:** **** May 26, 2020**

- (54) **HEAD UP DISPLAY FOR AUTOMOBILE**
- (71) Applicant: **HYUNDAI MOBIS CO., LTD.**, Seoul (KR)
- (72) Inventors: **Bong Geun Jeon**, Seoul (KR); **Hyung Soo Kim**, Seongnam-si (KR); **Sang Hun Yoo**, Seongnam-si (KR)
- (73) Assignee: **HYUNDAI MOBIS CO., LTD.**, Seoul (KR)

(**) Term: **15 Years**

(21) Appl. No.: **29/656,926**

(22) Filed: **Jul. 17, 2018**

(30) **Foreign Application Priority Data**

Jan. 17, 2018 (KR) 30-2018-0002839

(51) **LOC (12) Cl.** **12-16**

(52) **U.S. Cl.**
USPC **D12/192**

(58) **Field of Classification Search**
USPC D12/192, 415, 114, 345; D15/17, 28; D23/324; D10/46, 98, 102-103, 122-127
CPC B60H 1/34; B60H 1/3407; B60H 1/3414; B60H 1/3421; B60H 1/3428; B60H 1/3435; B60H 1/3442; B60H 1/345; B60H 1/3457; B60H 2001/3464; B60H 2001/3471; B60H 2001/3478; B60H 2001/3485
See application file for complete search history.

(56) **References Cited**

U.S. PATENT DOCUMENTS

- D815,002 S * 4/2018 Niemiec D12/192
- D836,049 S * 12/2018 Ryu D12/192

- D846,464 S * 4/2019 Zhao D12/192
- D849,618 S * 5/2019 Chen D12/192
- D849,622 S * 5/2019 Woodhouse D12/192
- D856,880 S * 8/2019 Tomasson D12/192
- D867,948 S * 11/2019 Engelmann D12/192
- 2014/0125876 A1* 5/2014 Nakayama H04N 5/64 348/837
- 2017/0274773 A1* 9/2017 Woodhouse B60K 35/00
- 2017/0315354 A1* 11/2017 Park G02B 27/0149

* cited by examiner

Primary Examiner — Katrina A Betton

(74) *Attorney, Agent, or Firm* — Knobbe Martens Olson & Bear LLP

(57) **CLAIM**

The ornamental design for a head up display for automobile, as shown and described herein.

DESCRIPTION

FIG. 1 is a perspective view of a head up display for automobile according to the present invention.

FIG. 2 is a front view of the head up display for automobile shown in FIG. 1.

FIG. 3 is a rear view of the head up display for automobile shown in FIG. 1.

FIG. 4 is a left-side view of the head up display for automobile shown in FIG. 1.

FIG. 5 is a right-side view of the head up display for automobile shown in FIG. 1.

FIG. 6 is a top plan view of the head up display for automobile shown in FIG. 1; and,

FIG. 7 is a bottom view of the head up display for automobile shown in FIG. 1.

1 Claim, 7 Drawing Sheets

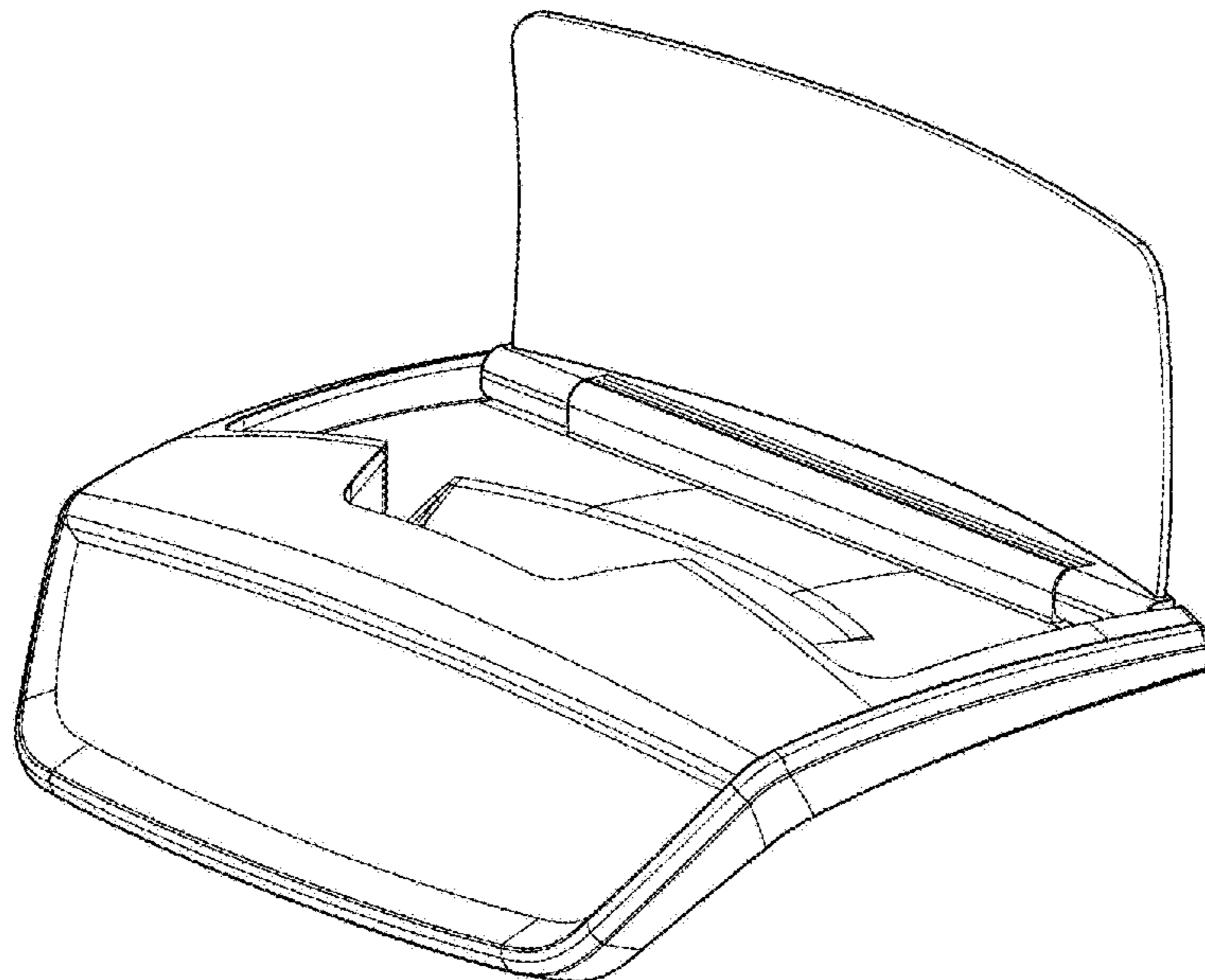


FIG. 1

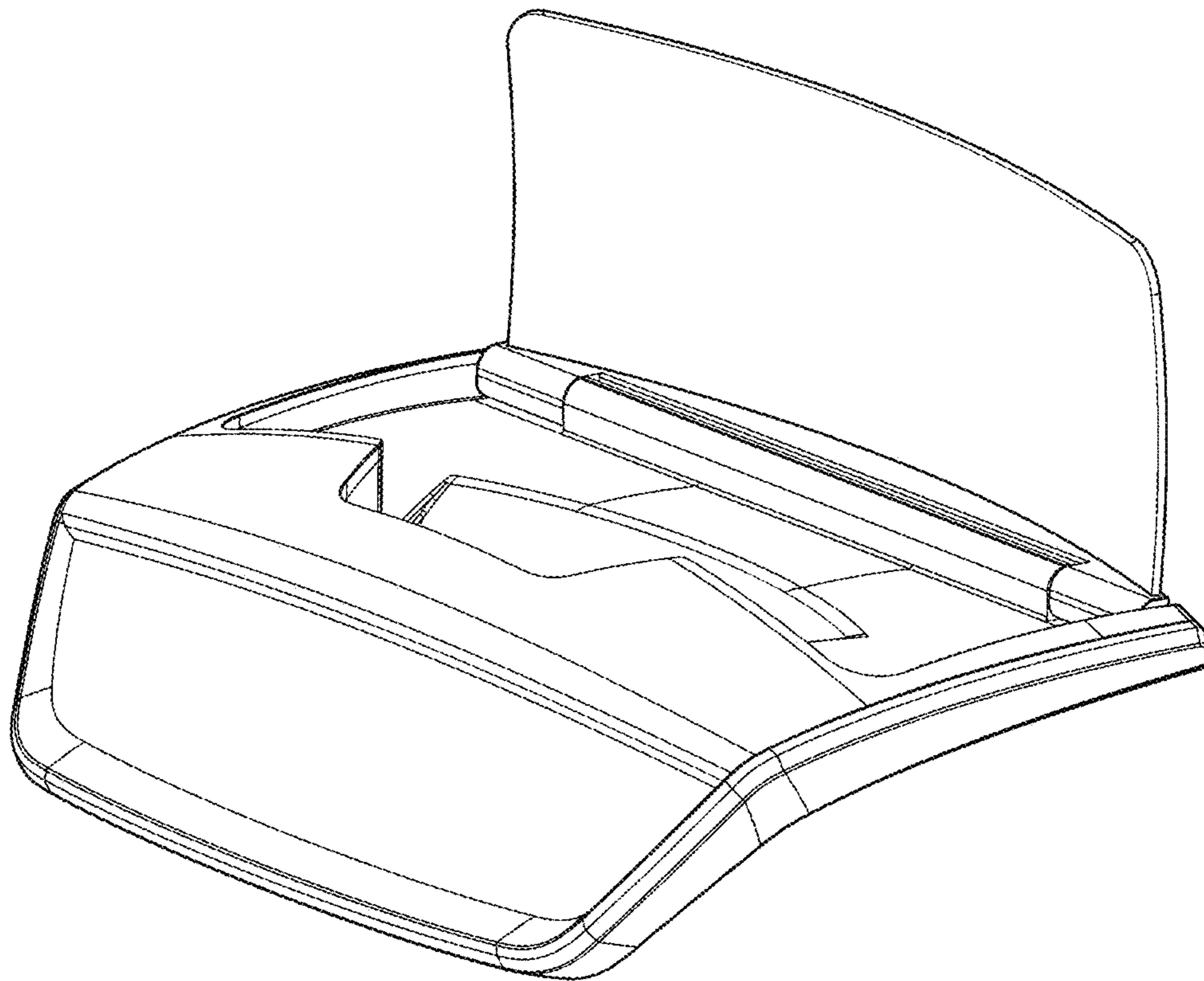


FIG. 2

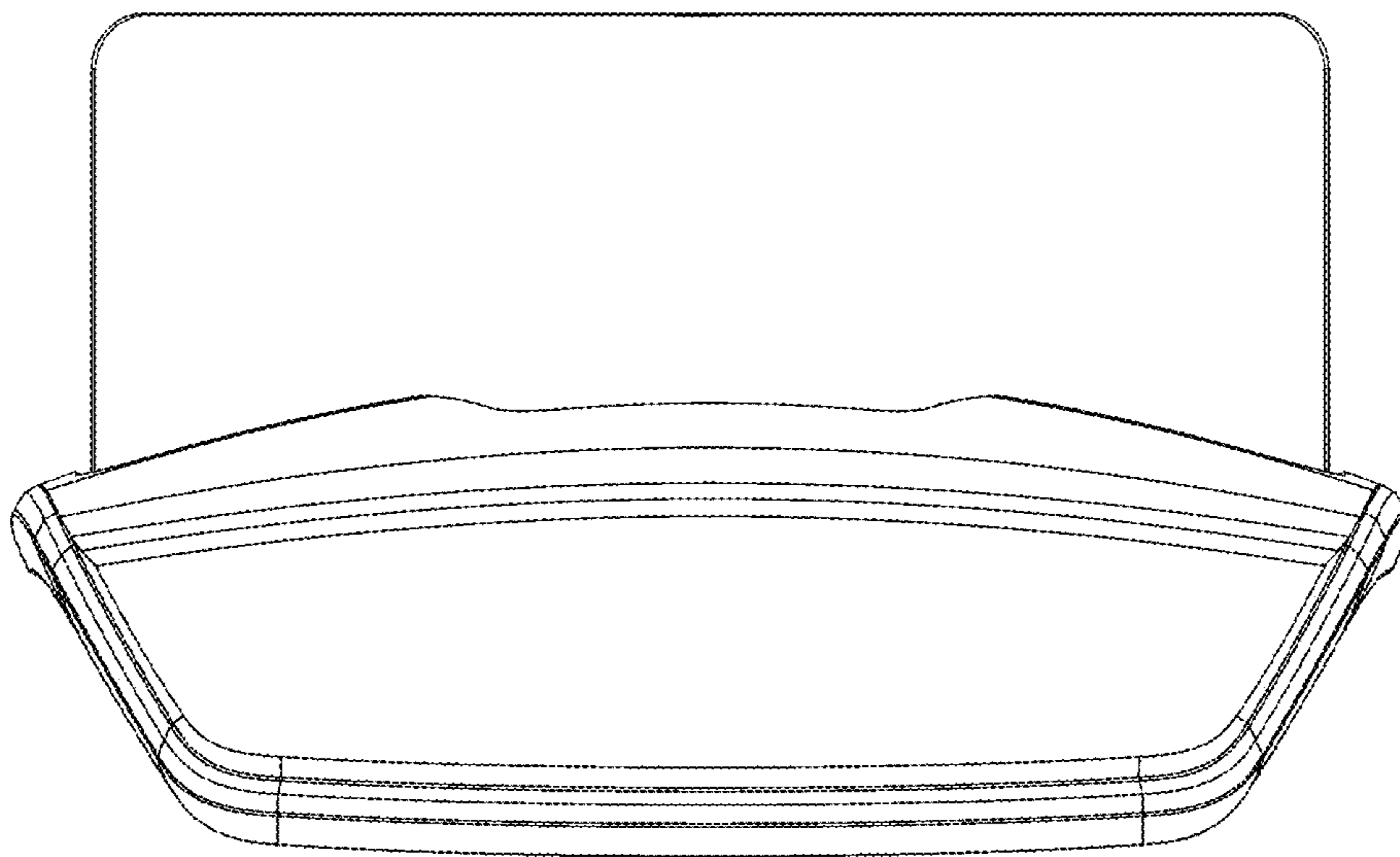


FIG. 3

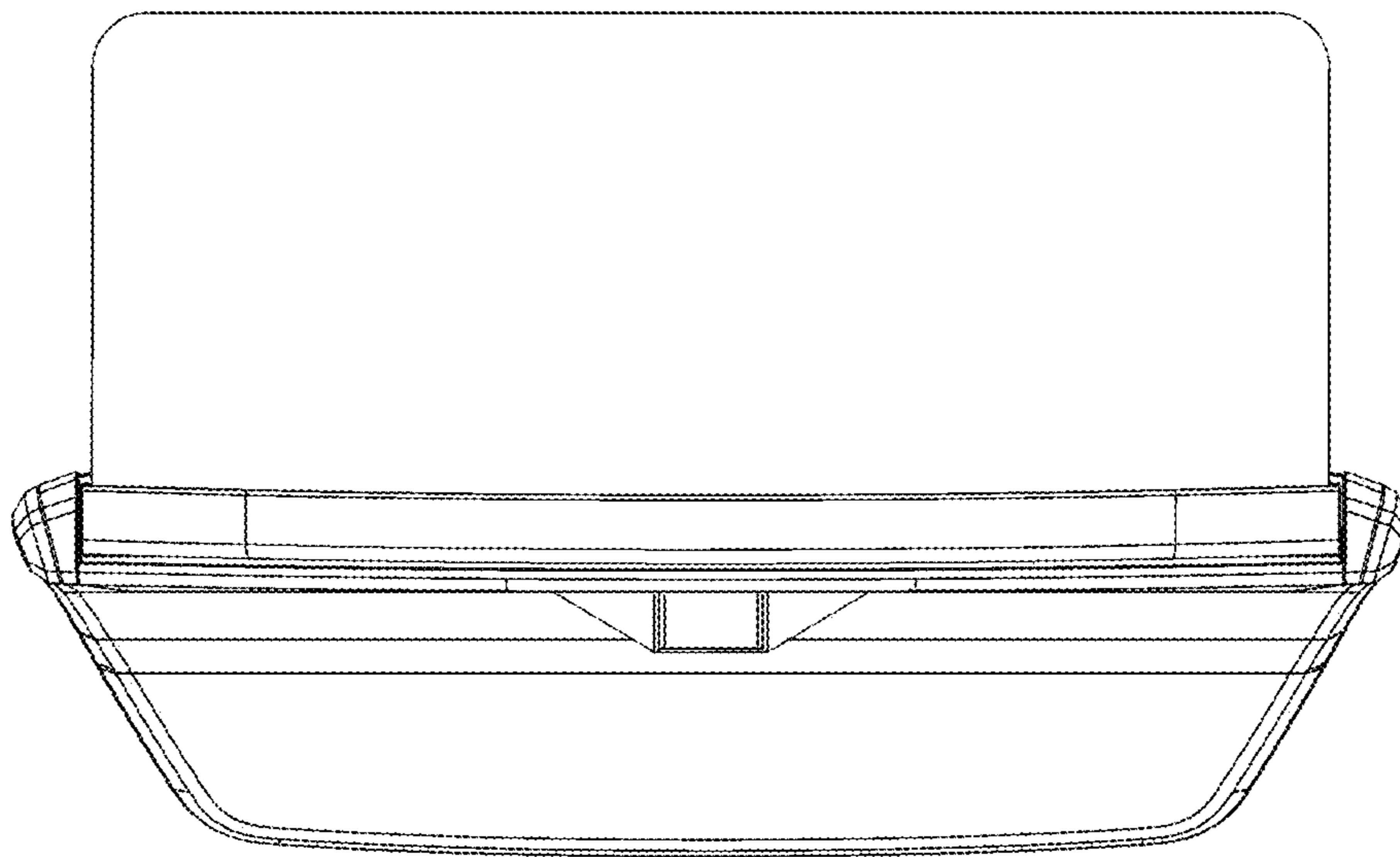


FIG. 4

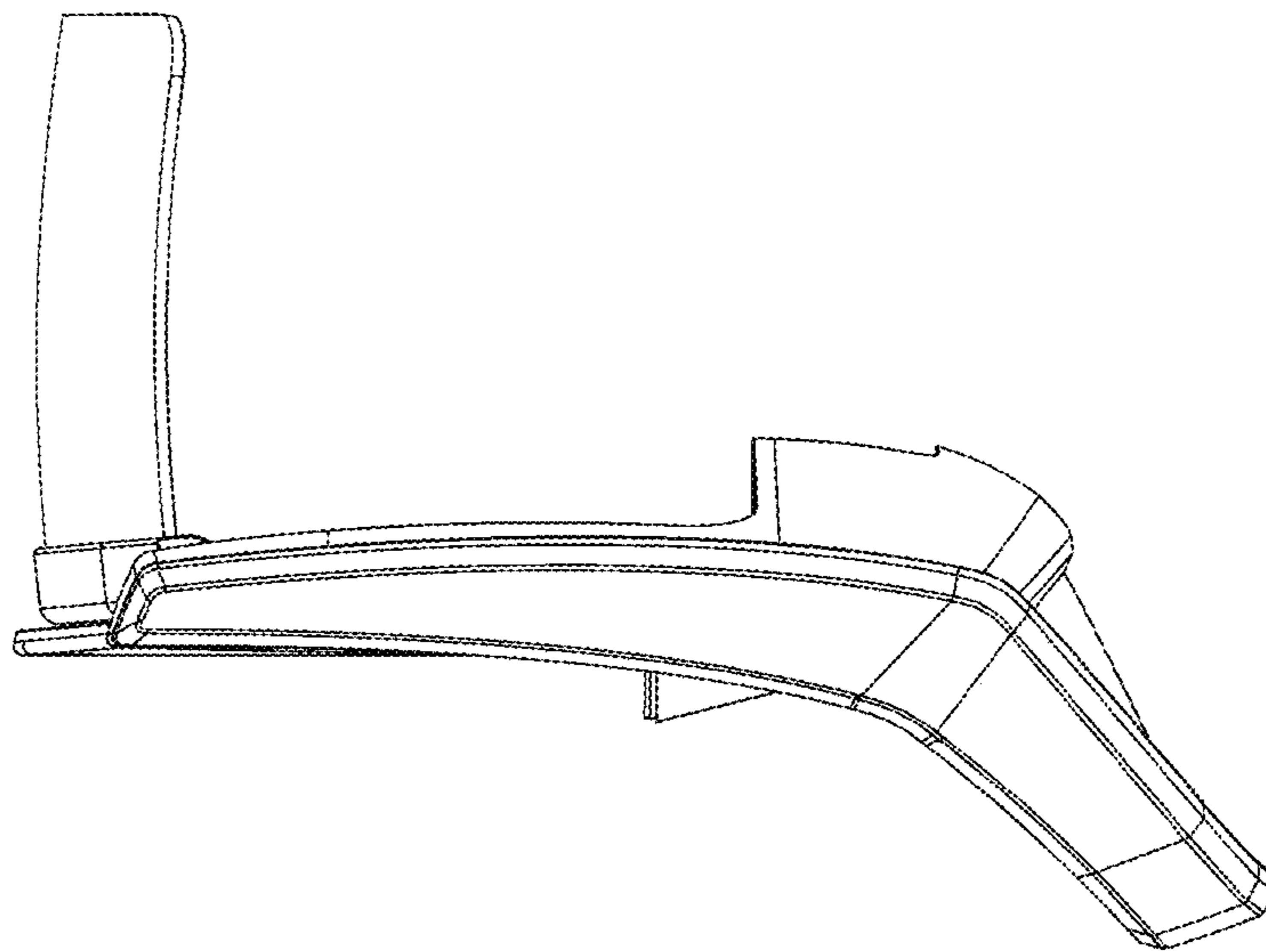


FIG. 5

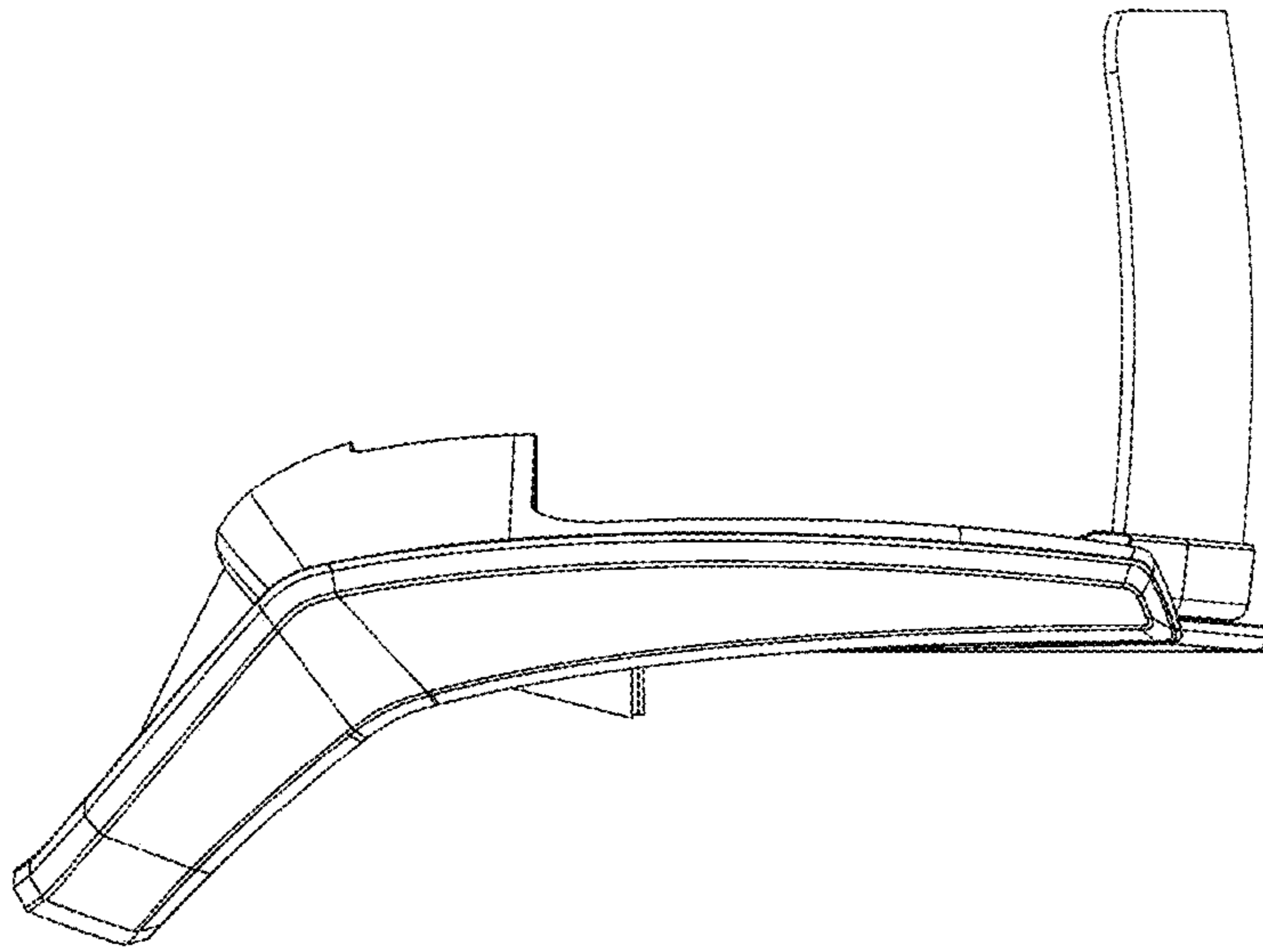


FIG. 6

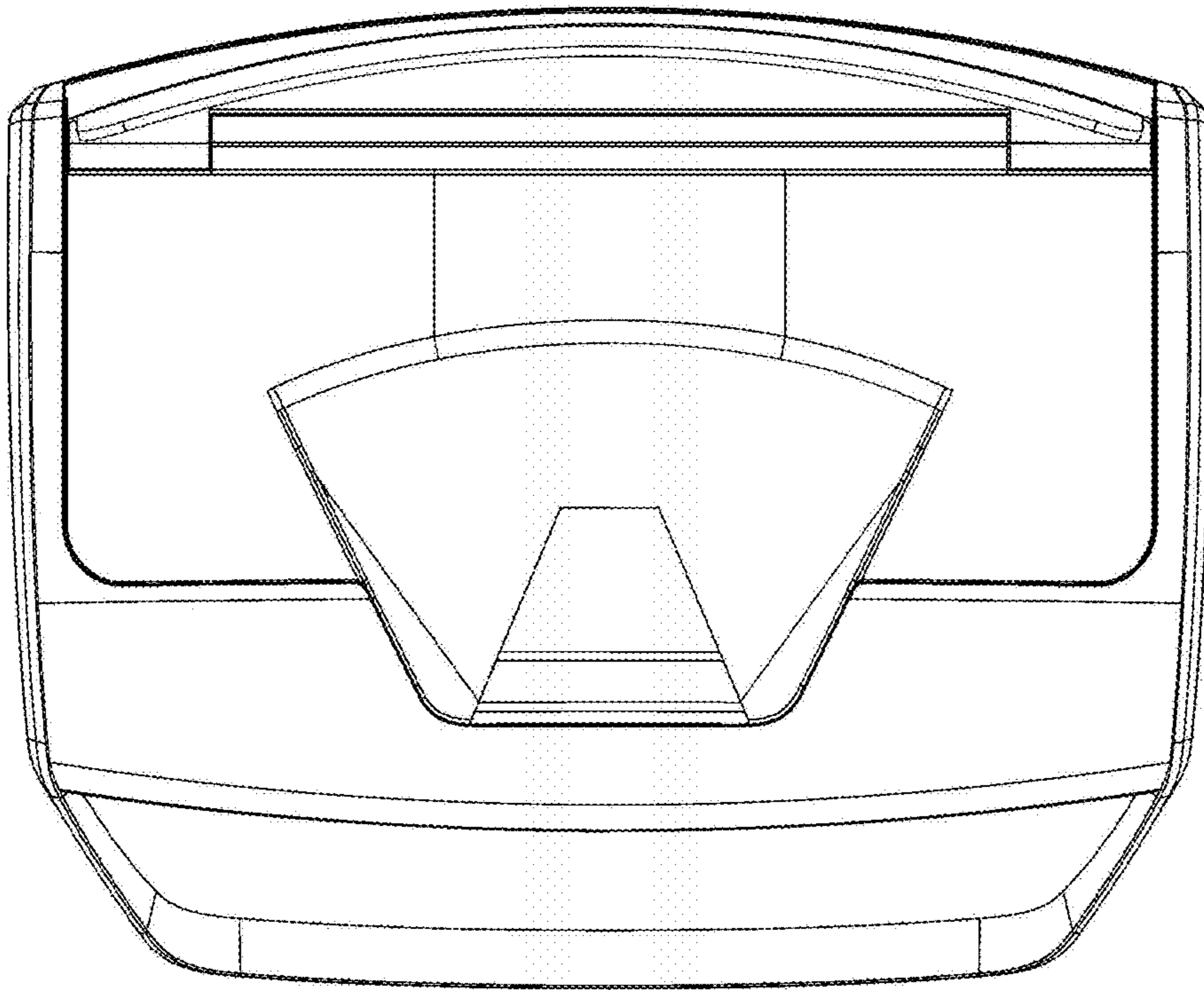


FIG. 7

