



US00D885273S

(12) **United States Design Patent** (10) **Patent No.:** **US D885,273 S**  
**Woodhouse et al.** (45) **Date of Patent:** **\*\* May 26, 2020**

(54) **VEHICLE FENDER**  
(71) Applicant: **Ford Global Technologies, LLC**,  
Dearborn, MI (US)  
(72) Inventors: **David Woodhouse**, Troy, MI (US);  
**Kemal Curic**, Irvine, CA (US); **Shawn**  
**Wehrly**, Northville, MI (US); **Hojoon**  
**Kang**, Novi, MI (US); **Michal**  
**Illukiewicz**, Bloomfield Hills, MI (US)

(73) Assignee: **Ford Global Technologies, LLC**,  
Dearborn, MI (US)

(\*\*) Term: **15 Years**

(21) Appl. No.: **29/685,581**

(22) Filed: **Mar. 29, 2019**

(51) **LOC (12) Cl.** ..... **12-16**

(52) **U.S. Cl.**  
USPC ..... **D12/181**

(58) **Field of Classification Search**  
USPC ..... D12/90, 91, 92, 93, 96, 181, 184, 196  
CPC .. B62D 25/02; B62D 25/04; B60J 5/00; B60J  
5/02; B60J 5/04; B60J 5/10  
See application file for complete search history.

(56) **References Cited**

U.S. PATENT DOCUMENTS

D614,554 S \* 4/2010 Noguchi ..... D12/181  
D686,125 S \* 7/2013 McCabe ..... D12/184  
D686,552 S \* 7/2013 Weil ..... D12/184  
D711,797 S \* 8/2014 Tsuchida ..... D12/184

D740,188 S 10/2015 Blanski et al.  
D746,743 S \* 1/2016 Behmer ..... D12/184  
D756,870 S \* 5/2016 Tsutamori ..... D12/184  
D781,192 S \* 3/2017 Kozub ..... D12/181  
D803,740 S \* 11/2017 Inn ..... D12/184  
D827,528 S \* 9/2018 Gueler ..... D12/184  
D841,542 S \* 2/2019 Koo ..... D12/184  
D850,341 S \* 6/2019 Riggs ..... D12/184  
D854,990 S \* 7/2019 Smock ..... D12/184  
D859,246 S \* 9/2019 Thurber ..... D12/181  
D864,065 S \* 10/2019 Pinazzo ..... D12/184  
D873,741 S \* 1/2020 Davidson ..... D12/184  
D873,742 S \* 1/2020 Toriyama ..... D12/184

\* cited by examiner

*Primary Examiner* — George D. Kirschbaum

*Assistant Examiner* — Joseph J Kukella

(74) *Attorney, Agent, or Firm* — Vichit Chea

(57) **CLAIM**

The ornamental design for a vehicle fender, as shown and described.

**DESCRIPTION**

FIG. 1 is a front elevational view of a vehicle fender, showing our new design;  
FIG. 2 is a left side elevational view thereof;  
FIG. 3 is a right side elevational view thereof;  
FIG. 4 is a top plan view thereof;  
FIG. 5 is a bottom plan view thereof;  
FIG. 6 is a top, front, and left side perspective view thereof;  
and,  
FIG. 7 is a top, rear, and left side perspective view thereof.

**1 Claim, 7 Drawing Sheets**



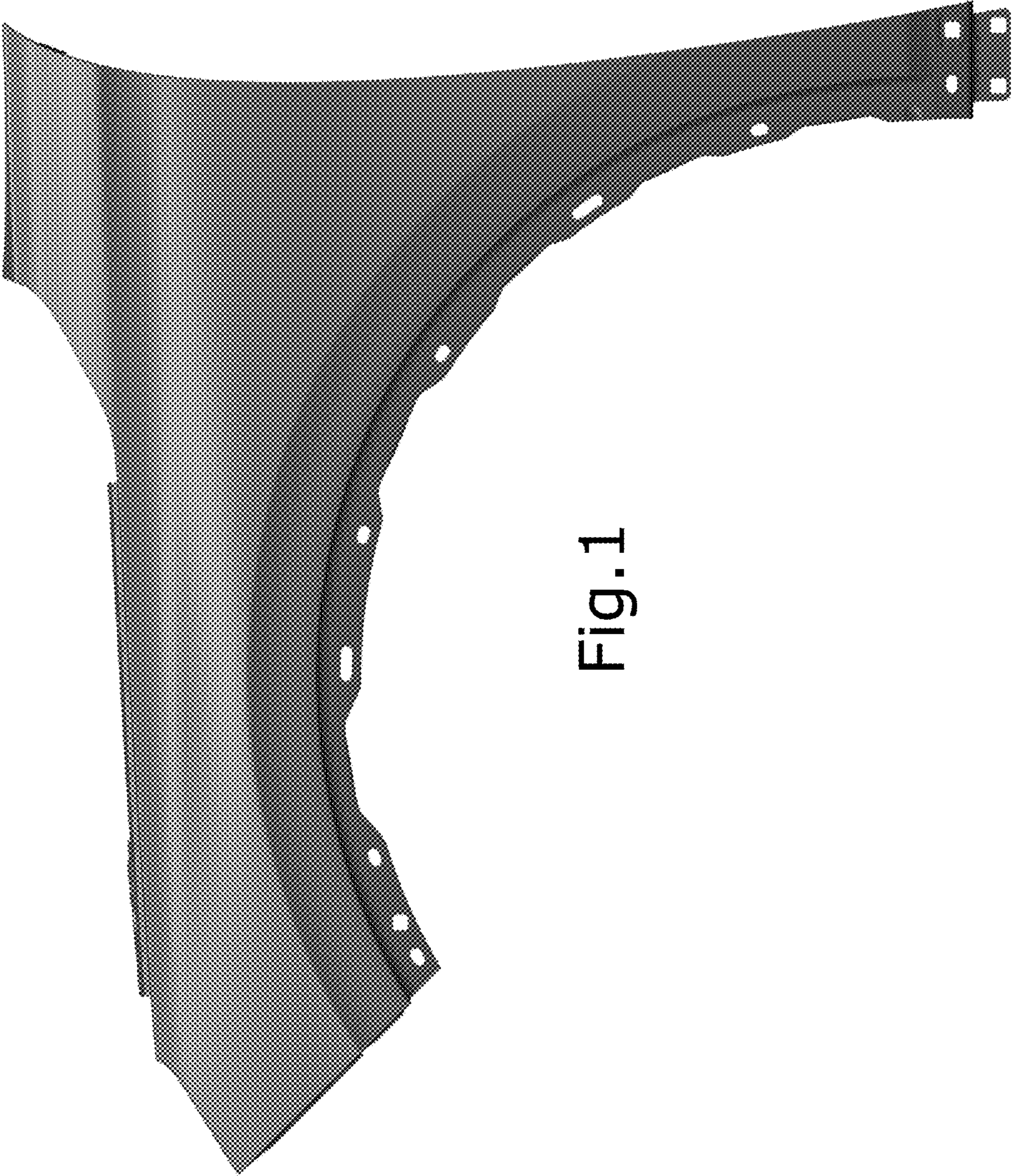


Fig.1

Fig. 2



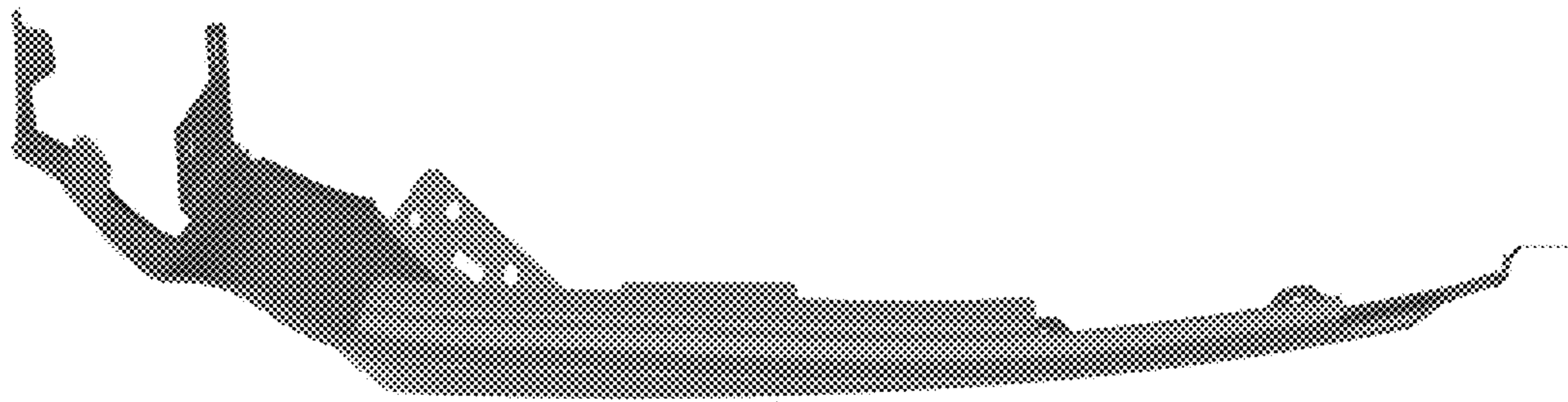


Fig. 3

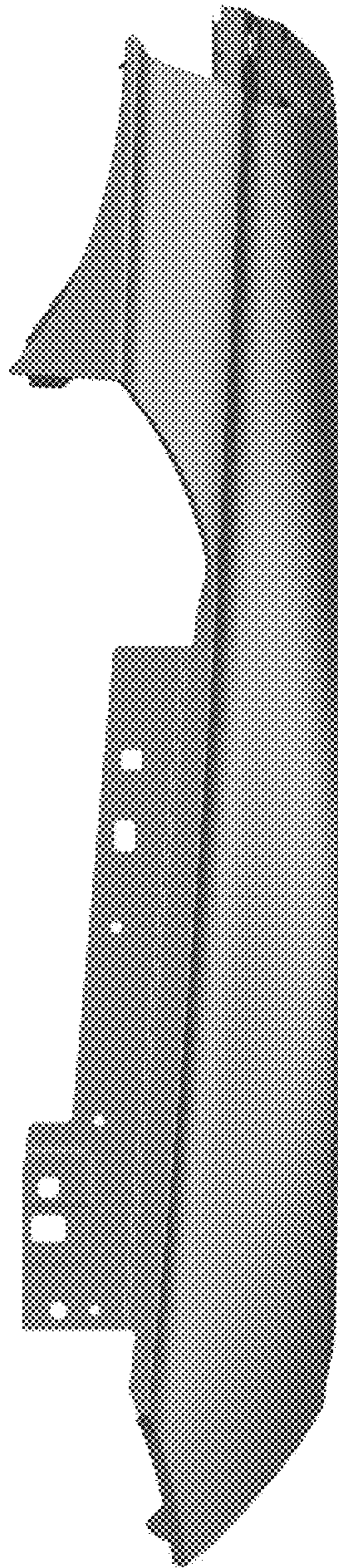
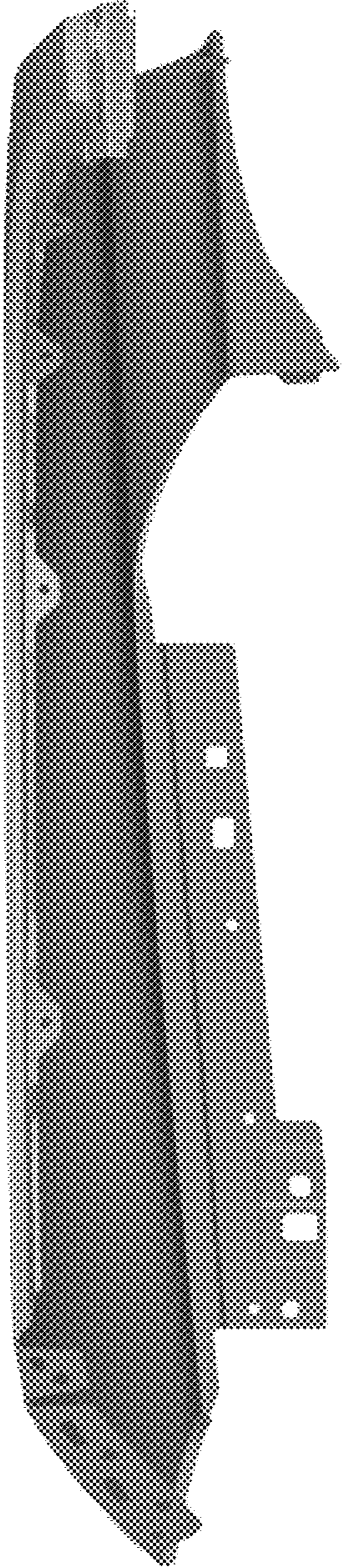


Fig.4

Fig. 5



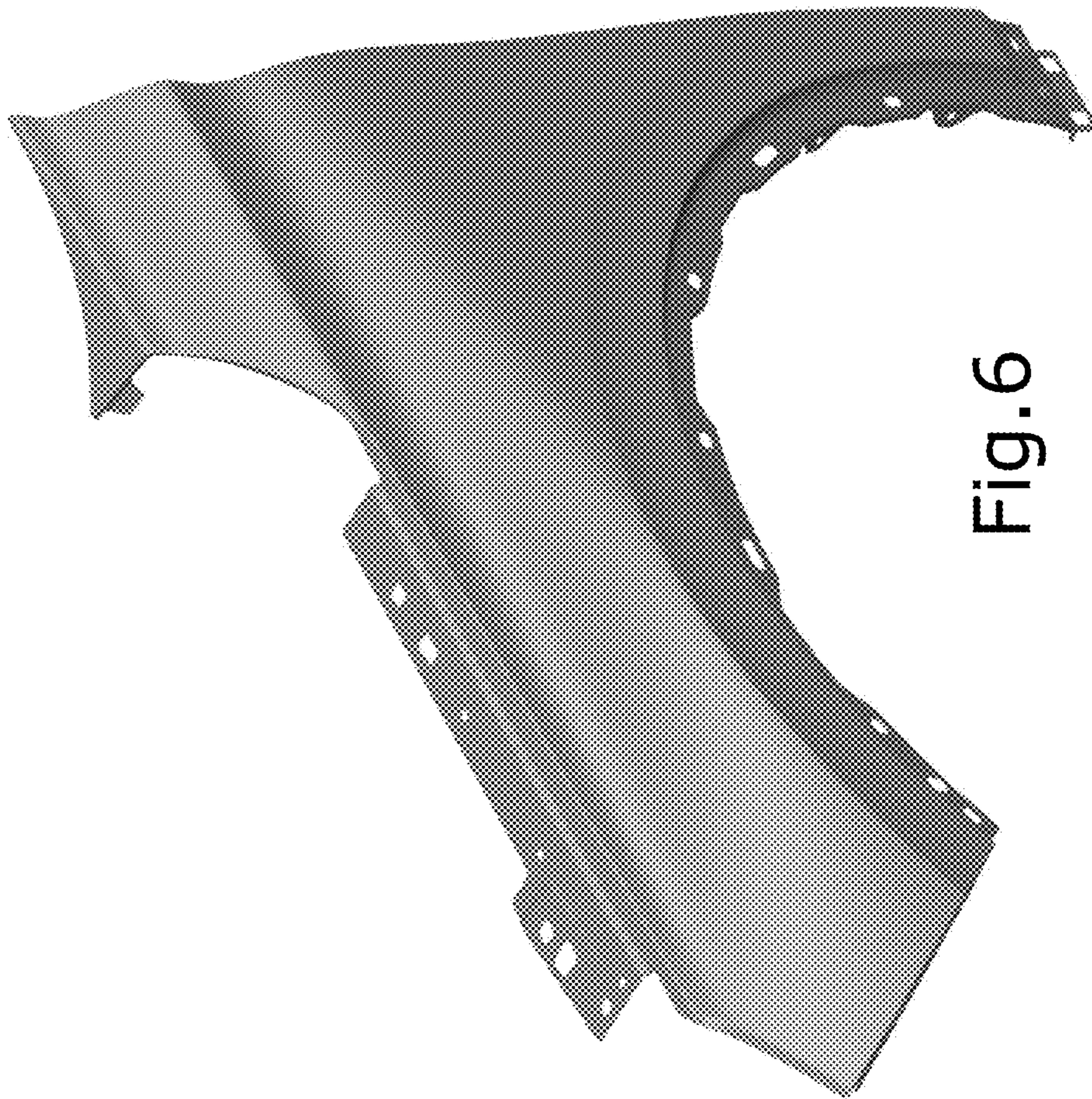


Fig. 6

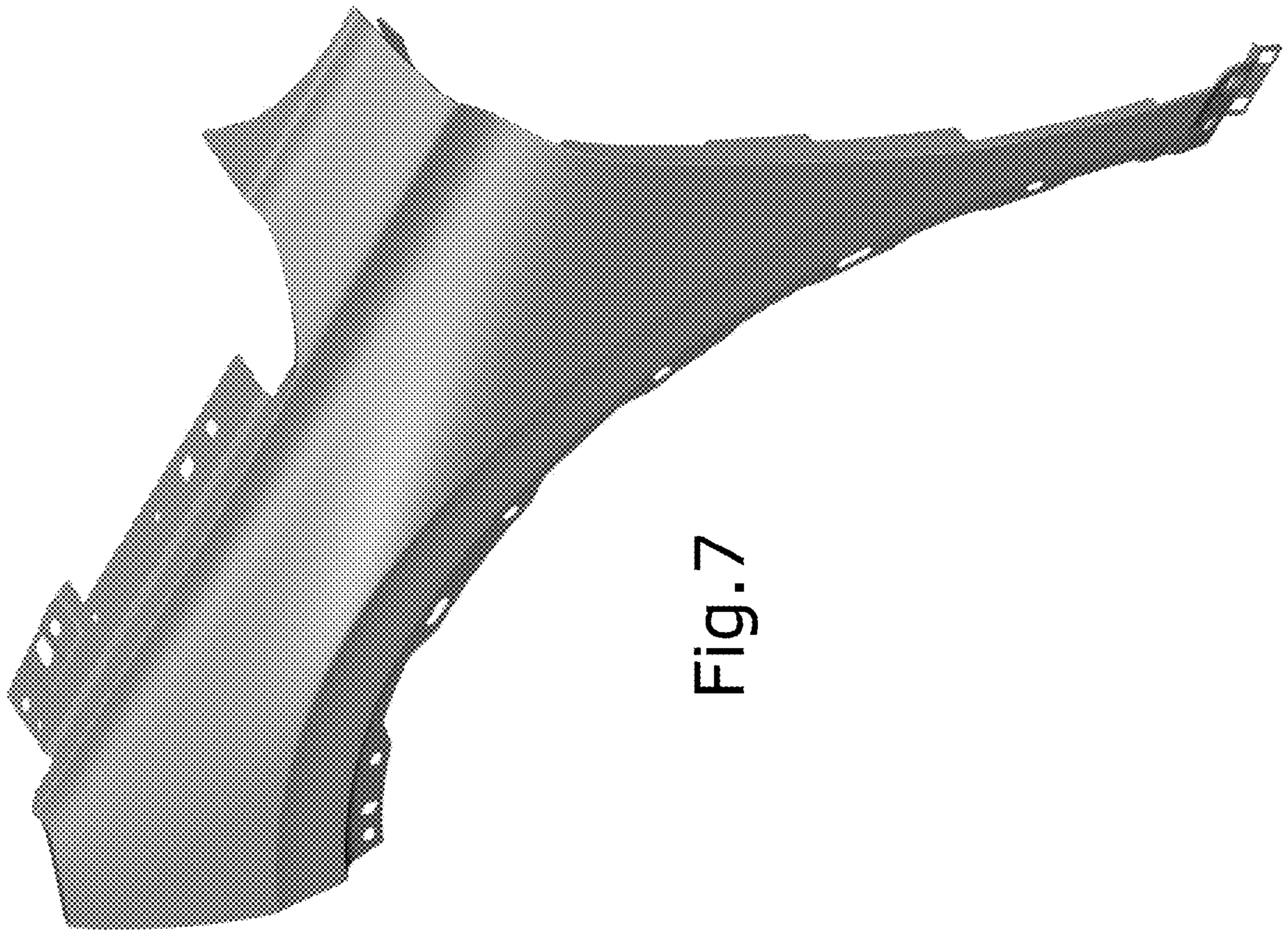


Fig. 7