



US00D885271S

(12) **United States Design Patent** (10) **Patent No.:** **US D885,271 S**
Lu (45) **Date of Patent:** **** May 26, 2020**

(54) **WINDOW SCOOP**
(71) Applicant: **Turn 5, Inc.**, Malvern, PA (US)
(72) Inventor: **Shunguo Lu**, Danyang (CN)
(73) Assignee: **Turn 5, Inc.**, Paoli, PA (US)
(**) Term: **15 Years**
(21) Appl. No.: **29/596,318**
(22) Filed: **Mar. 7, 2017**
(51) **LOC (12) Cl.** **12-16**
(52) **U.S. Cl.**
USPC **D12/181**; D12/183
(58) **Field of Classification Search**
USPC D12/163, 164, 169, 171, 173, 181, 183,
D12/184, 190, 196, 216, 90, 91, 92;
D15/89; D23/354, 371, 385, 387, 388,
D23/393, 412; D25/155; D26/120, 121,
D26/59, 72; D6/703.5
CPC B60H 1/248; B60H 1/262; B60H 1/34;
B60K 11/08; B60K 13/02; B60K 35/00;
B62D 35/00; B63B 3/66; F24F 13/20;
F24F 13/082
See application file for complete search history.

D575,698 S * 8/2008 Chiang D12/173
D644,584 S * 9/2011 Vardis D12/190
8,181,728 B2 * 5/2012 Hartland B60K 11/08
180/68.1
D666,285 S * 8/2012 Schrad D23/387
D685,691 S * 7/2013 Messale D12/163
D726,080 S * 4/2015 Mays D12/173
D741,768 S * 10/2015 Brzustowicz D12/196
D788,659 S * 6/2017 Jelec D12/163
D801,897 S * 11/2017 Buck D12/190
9,855,981 B1 * 1/2018 Dunford B62D 35/00
D812,216 S * 3/2018 Langford D23/393
D817,236 S * 5/2018 DiCanzio D12/173
D823,753 S * 7/2018 Stone D12/173
D826,798 S * 8/2018 Behmer D12/163
D829,624 S * 10/2018 Jamieson D12/196
D835,551 S * 12/2018 DiCanzio D12/173

* cited by examiner

Primary Examiner — Susan E Krakower
Assistant Examiner — Jerry Shiuan-Hua Hsu
(74) *Attorney, Agent, or Firm* — Schott P.C.

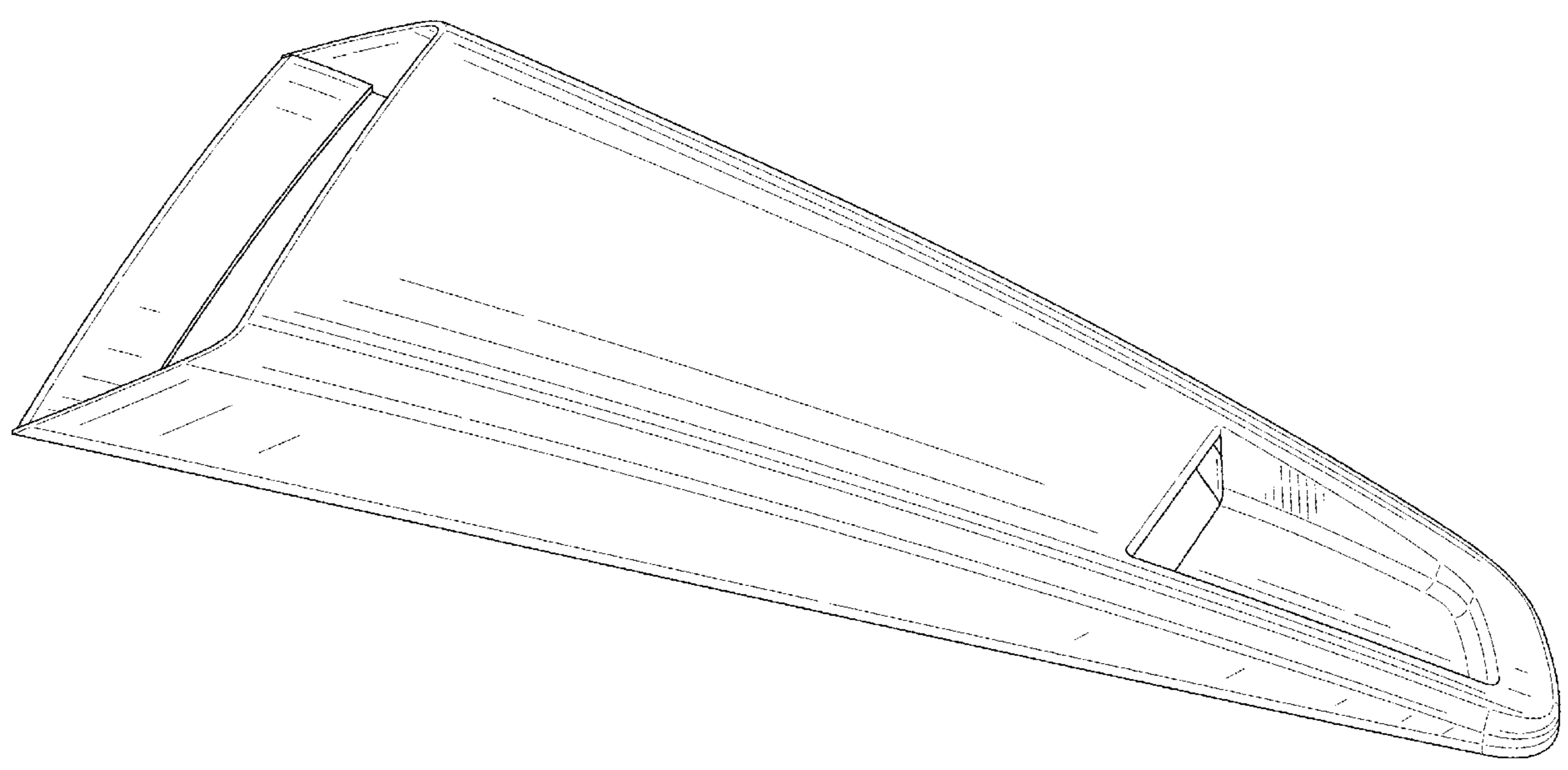
(57) **CLAIM**

The ornamental design for a window scoop, as shown and described.

DESCRIPTION

FIG. 1 is a perspective view of the window scoop of the present invention, the opposite side window scoop being a mirror image thereof;
FIG. 2 is a front elevation view thereof;
FIG. 3 is a rear elevation view thereof;
FIG. 4 is a left, front perspective side view thereof shown for enlarged and easier visibility;
FIG. 5 is a right, front perspective side view thereof shown for enlarged and easier visibility;
FIG. 6 is a top view thereof; and,
FIG. 7 is a bottom view thereof.

1 Claim, 5 Drawing Sheets



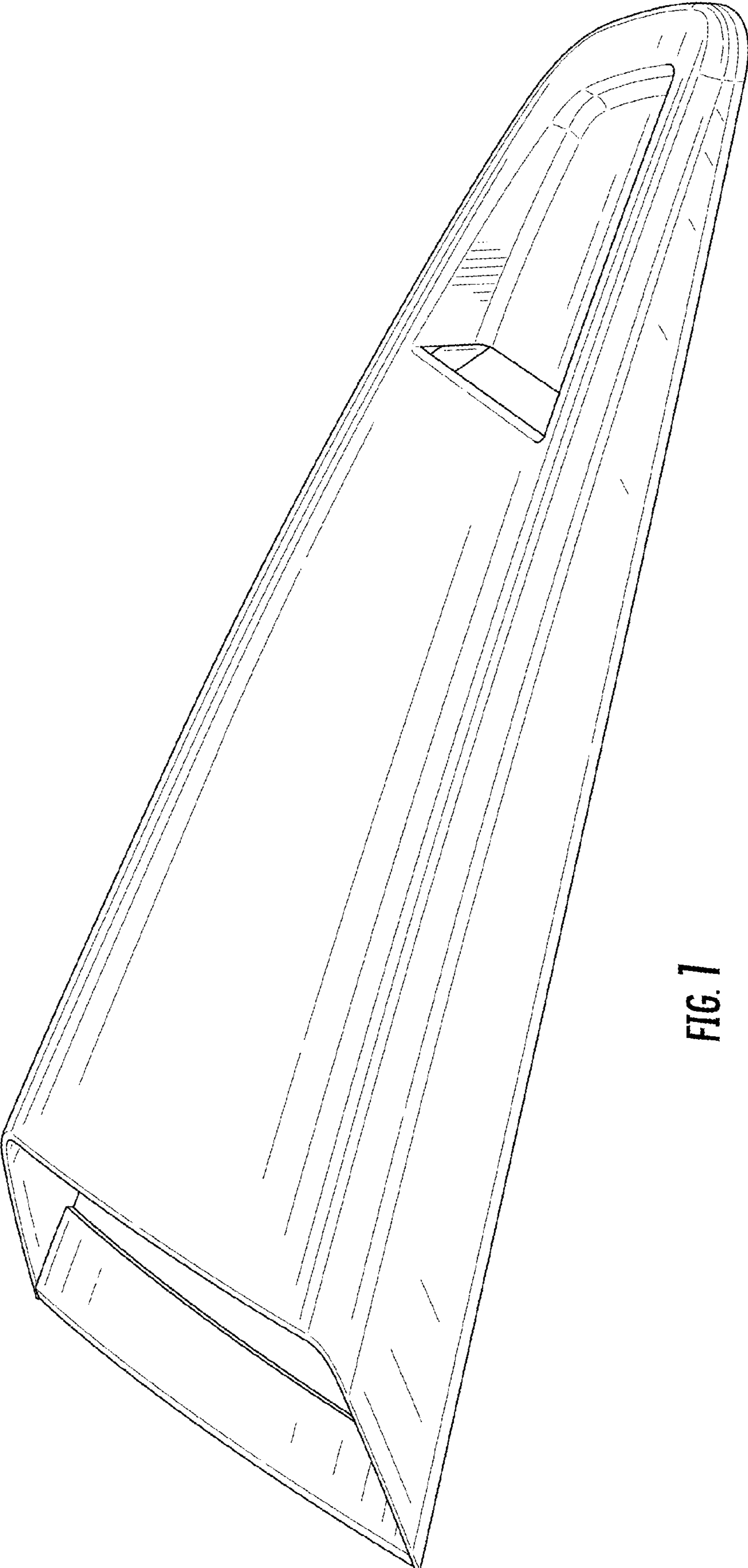


FIG. 1

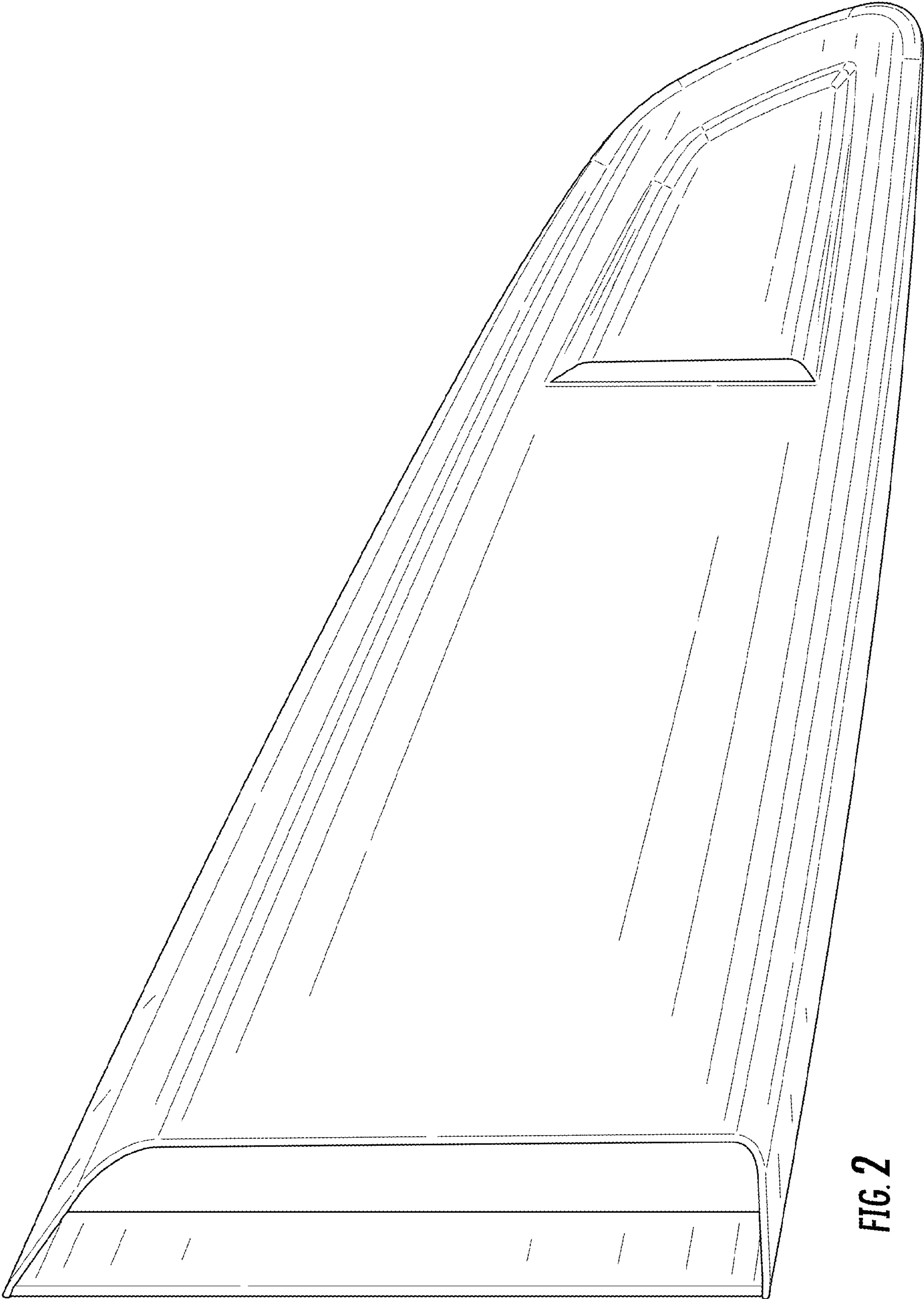


FIG. 2

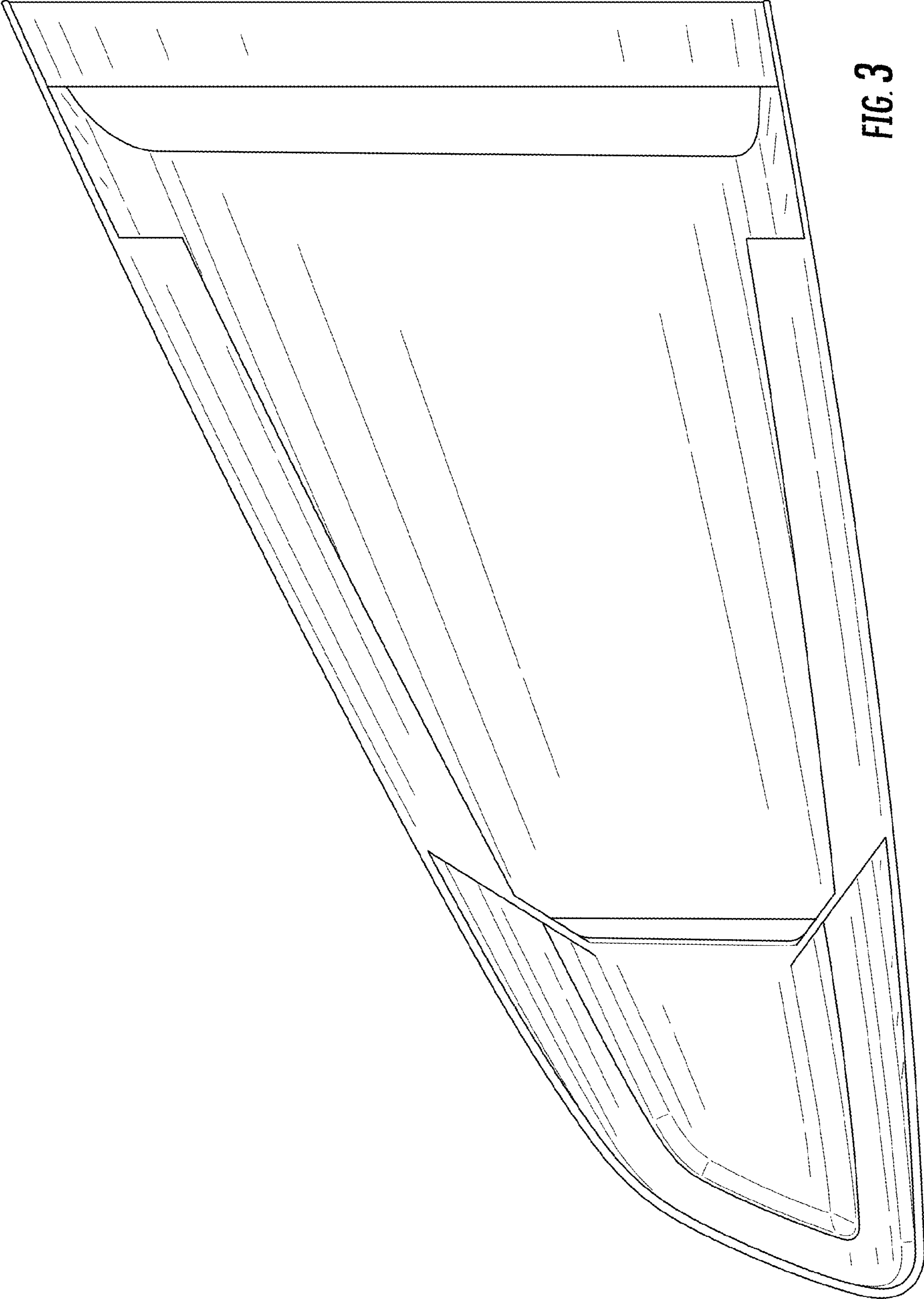


FIG. 3

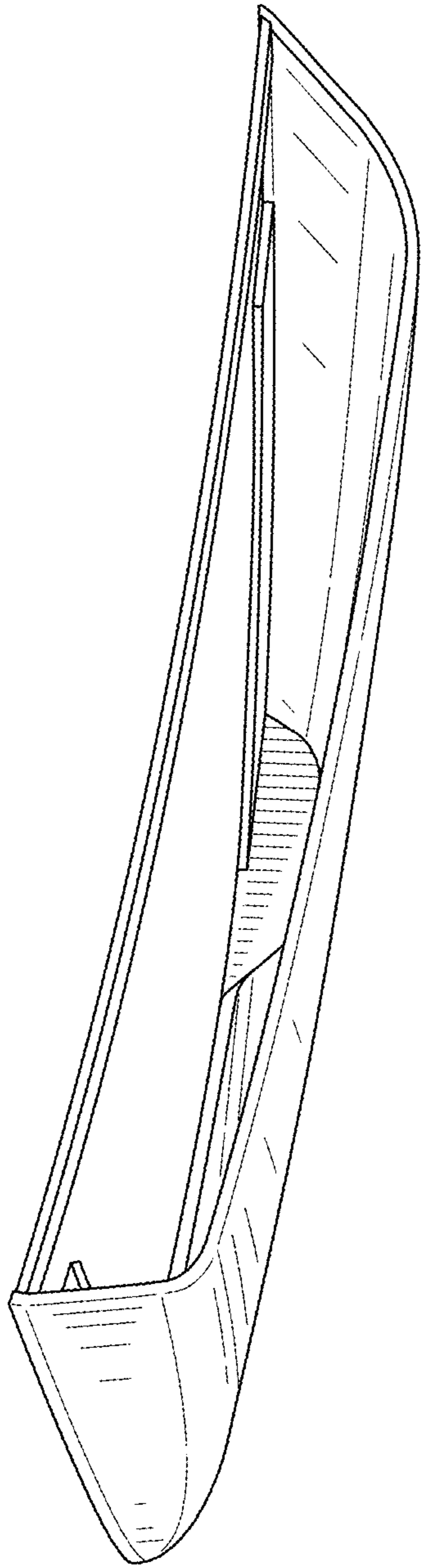


FIG. 4

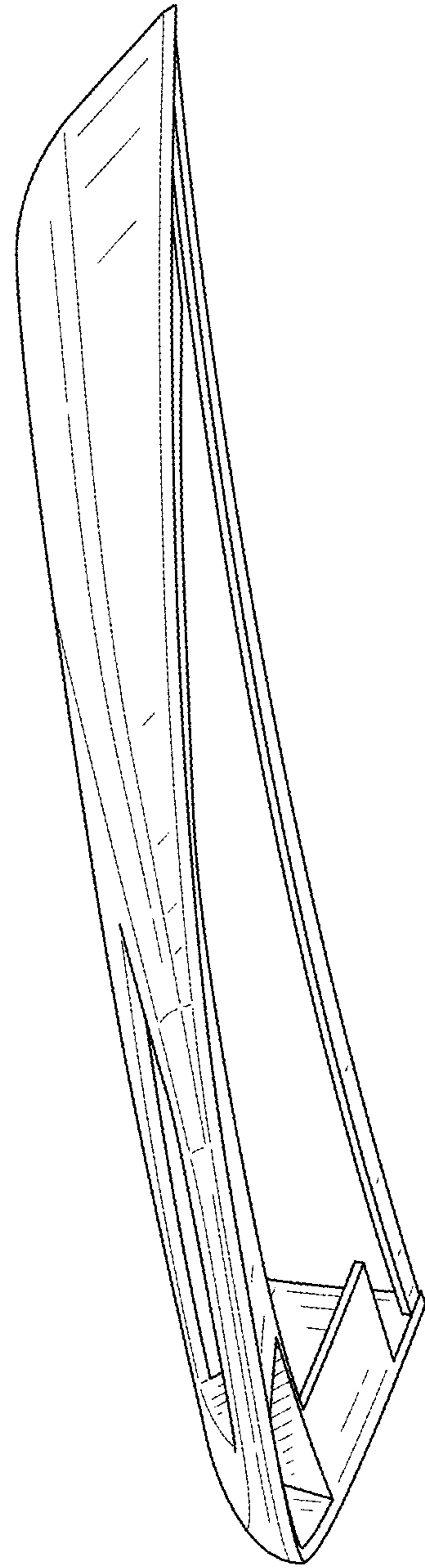


FIG. 5

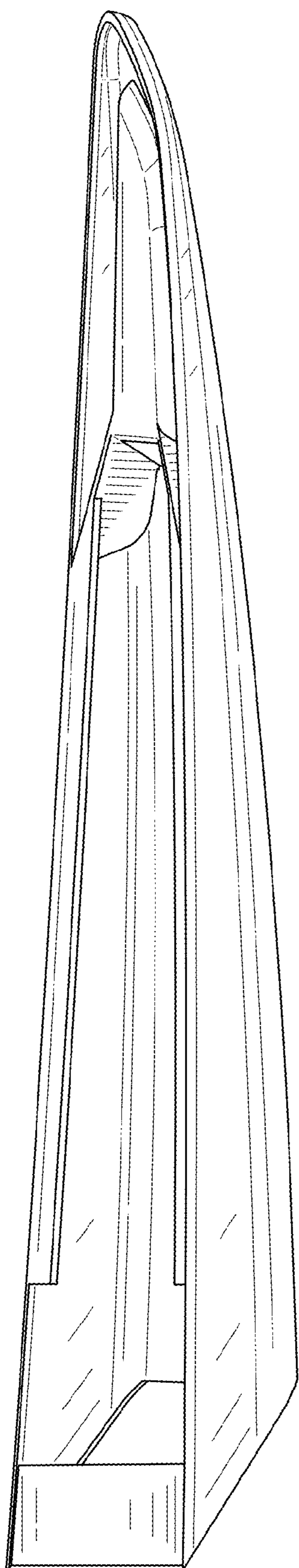


FIG. 6

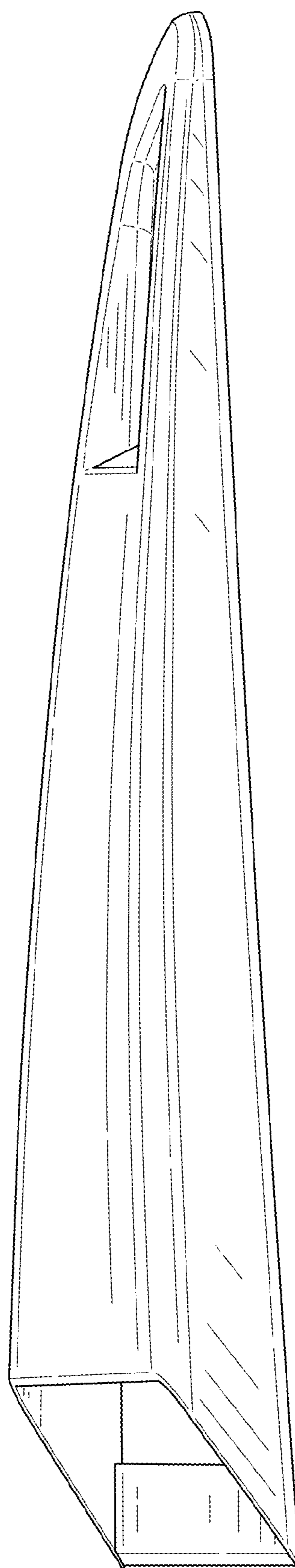


FIG. 7