



US00D885264S

(12) **United States Design Patent**
Lenz, Jr.

(10) **Patent No.:** **US D885,264 S**

(45) **Date of Patent:** **** May 26, 2020**

(54) **TRUCK CAB PORTION**

(71) Applicant: **HME, Incorporated**, Wyoming, MI
(US)

(72) Inventor: **Kenneth C. Lenz, Jr.**, Hudsonville, MI
(US)

(73) Assignee: **HME, Incorporated**, Wyoming, MI
(US)

(**) Term: **15 Years**

(21) Appl. No.: **29/685,426**

(22) Filed: **Mar. 28, 2019**

(51) **LOC (12) Cl.** **12-16**

(52) **U.S. Cl.**
USPC **D12/164**

(58) **Field of Classification Search**
USPC D12/90-93, 96, 163, 164, 171, 181, 184,
D12/196

CPC B62D 25/02; B62D 25/04; B62D 25/10;
B62D 25/105; B62D 25/16; B62D
25/161; B62D 25/168; B60J 5/00; B60J
5/02; B60J 5/04; B60J 5/10

See application file for complete search history.

(56) **References Cited**

U.S. PATENT DOCUMENTS

D307,731 S	5/1990	Kerney et al.	
D308,351 S	6/1990	Fry et al.	
D412,463 S *	8/1999	Sacco	D12/96
D422,534 S *	4/2000	Hellhake	D12/96
D422,944 S *	4/2000	Hellhake	D12/96

D424,476 S *	5/2000	Hellhake	D12/96
D425,826 S *	5/2000	Hellhake	D12/96
D460,023 S	7/2002	Beigel	
D703,105 S *	4/2014	Riggs	D12/96
D729,123 S *	5/2015	Koos	D12/96
D774,994 S *	12/2016	Alemaný	D12/163
D828,226 S	9/2018	Cotner	
D868,646 S *	12/2019	Cotner	D12/164
D876,556 S *	2/2020	Barajas	D21/561
D876,996 S *	3/2020	Hagler	D12/163

* cited by examiner

Primary Examiner — George D. Kirschbaum

Assistant Examiner — Joseph J Kukella

(74) *Attorney, Agent, or Firm* — Warner Norcross + Judd,
LLP

(57) **CLAIM**

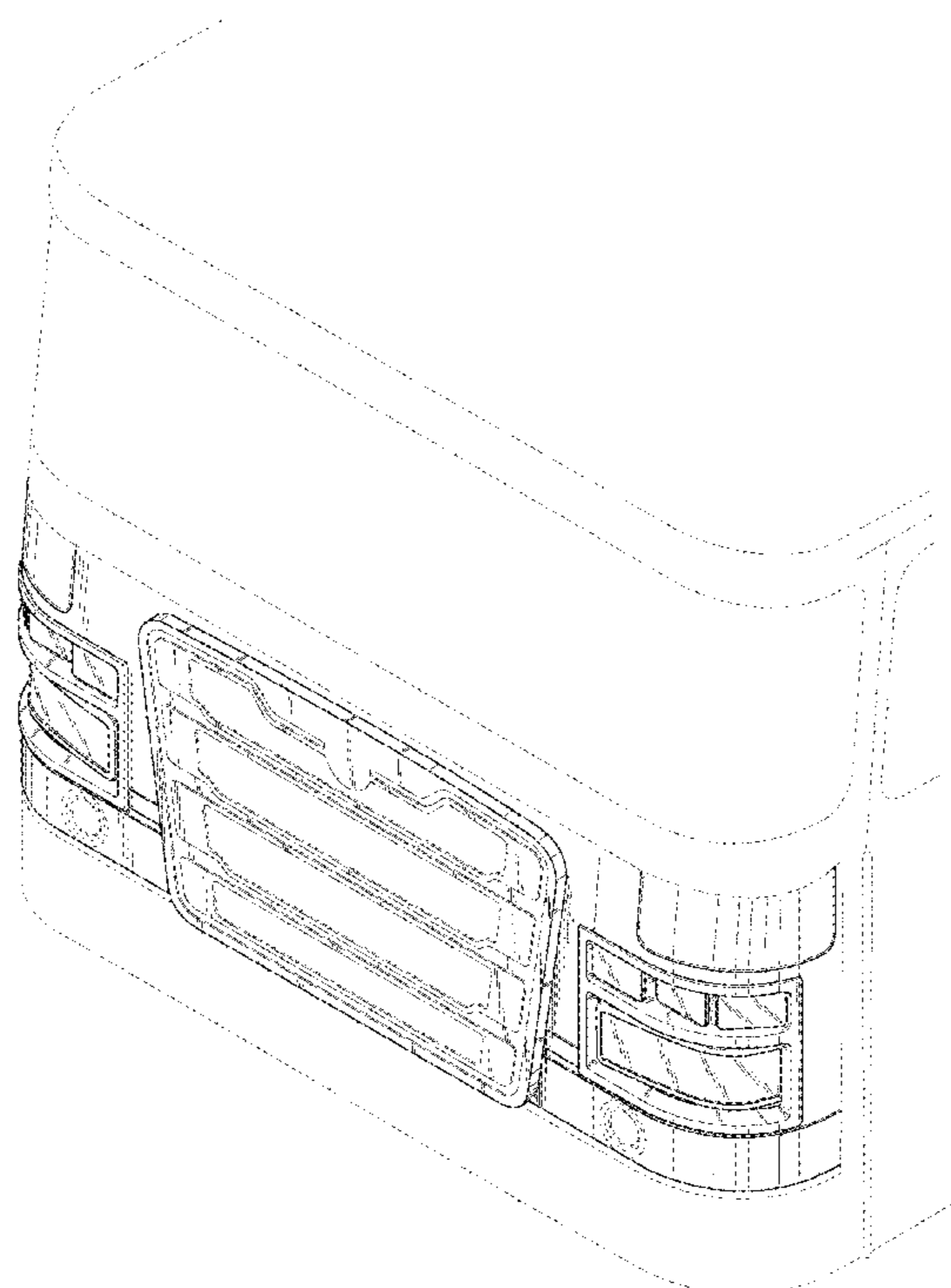
The ornamental design for a truck cab portion, as shown and described.

DESCRIPTION

FIG. 1 is a perspective view of the truck cab portion embodying the new design;
FIG. 2 is a front view thereof;
FIG. 3 is a rear view thereof;
FIG. 4 is a right side view thereof;
FIG. 5 is a left side view thereof;
FIG. 6 is a top view thereof; and,
FIG. 7 is a bottom view thereof.

FIGS. 1-7 show features in broken lines. These features do not form any part of the claimed design. The broken lines immediately adjacent the solid-line portions of the design form the boundary of the design, with the broken lines forming no part of the claimed design.

1 Claim, 5 Drawing Sheets



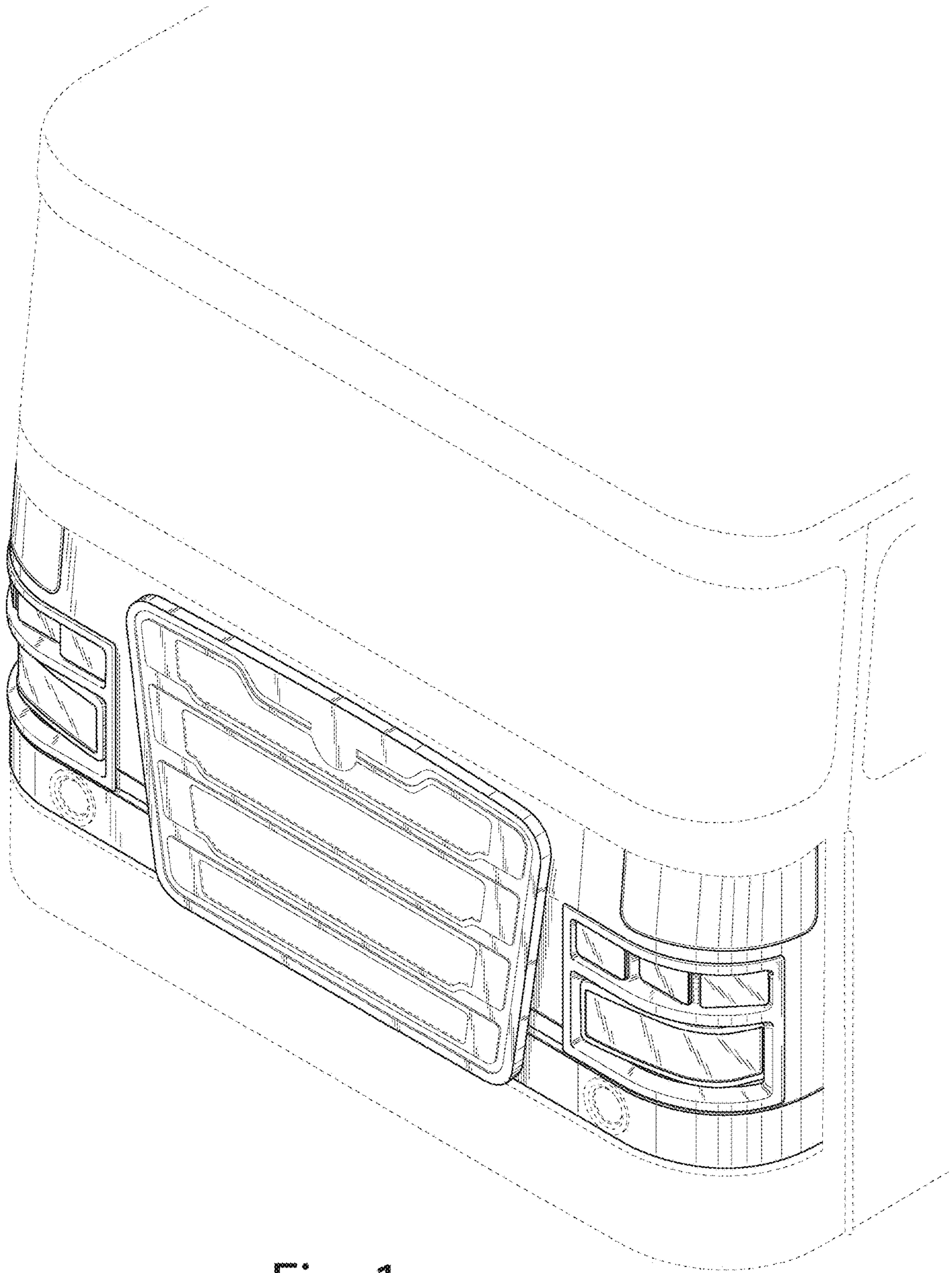


Fig. 1

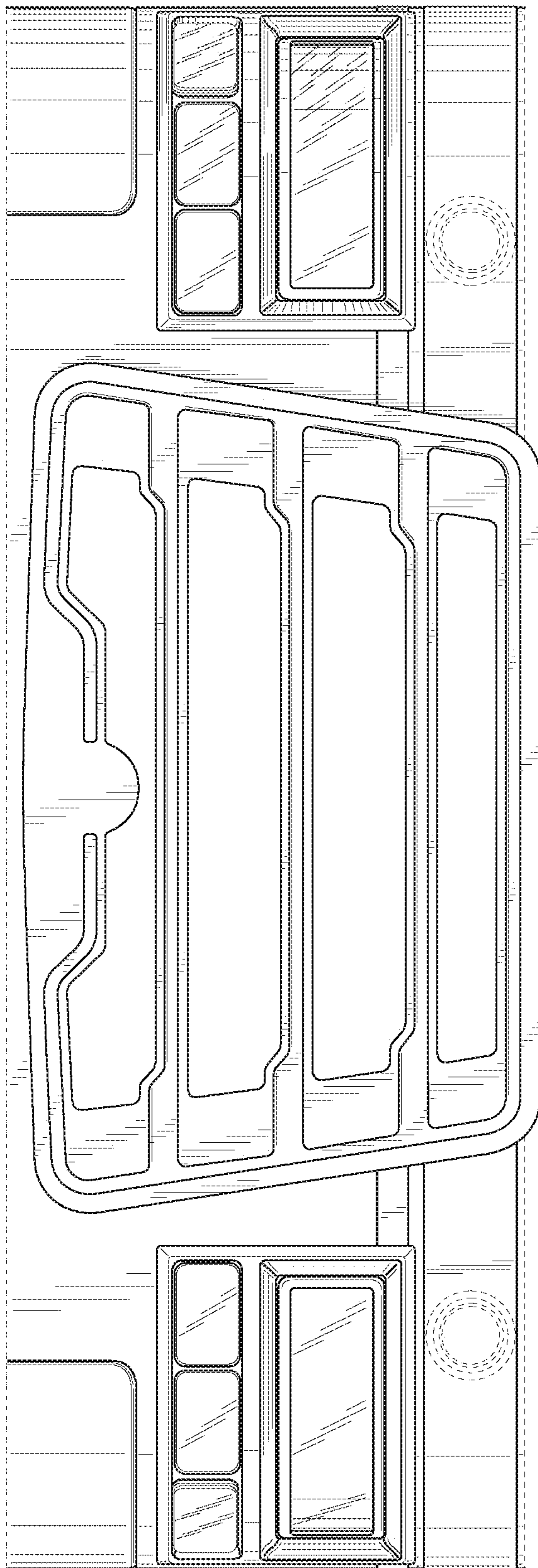


Fig. 2

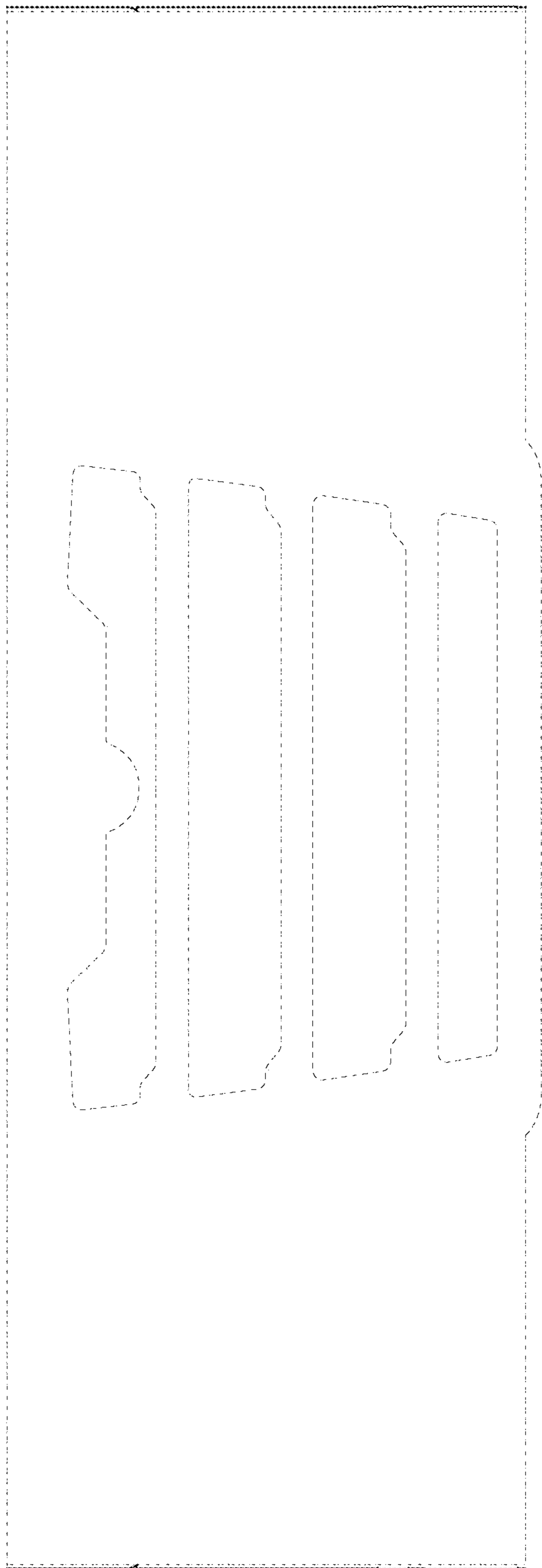


Fig. 3

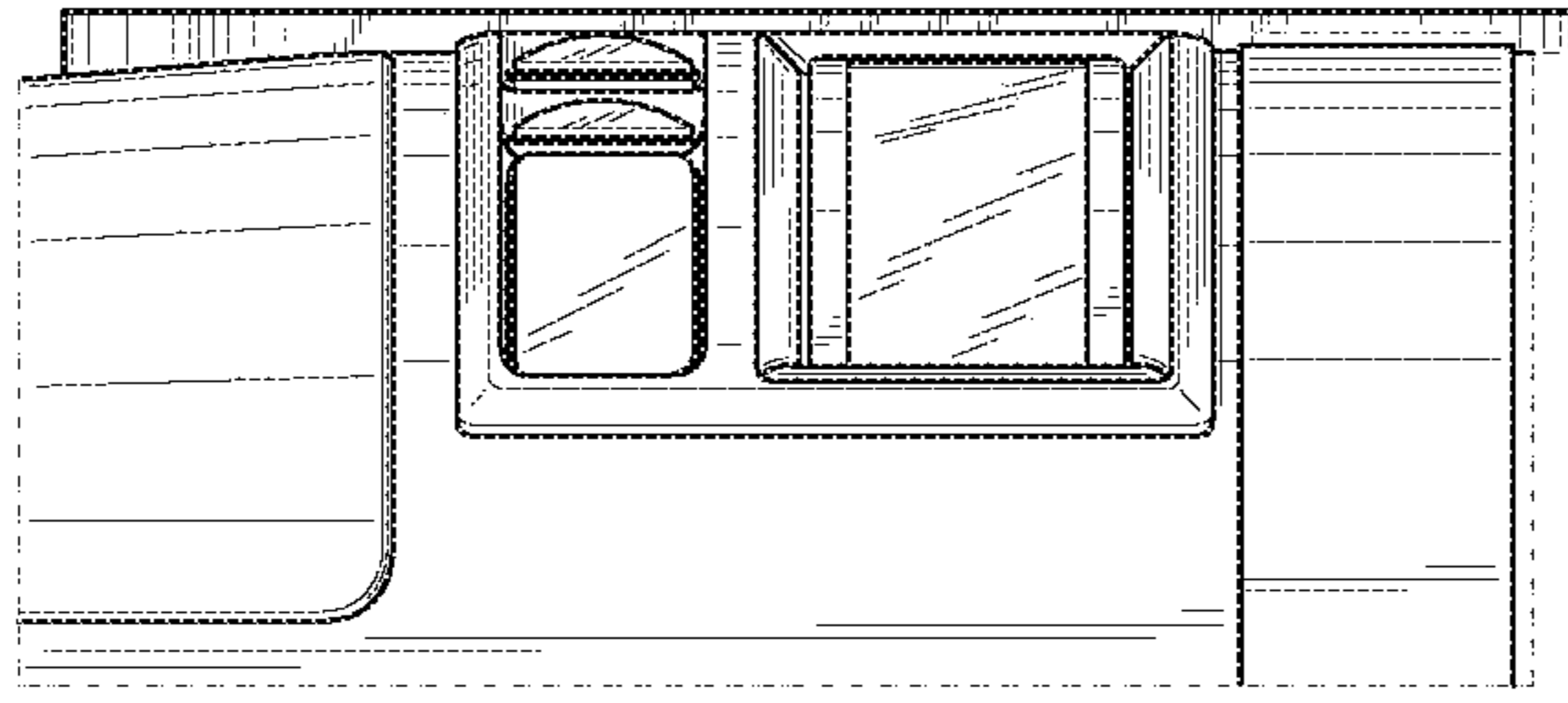


Fig. 5

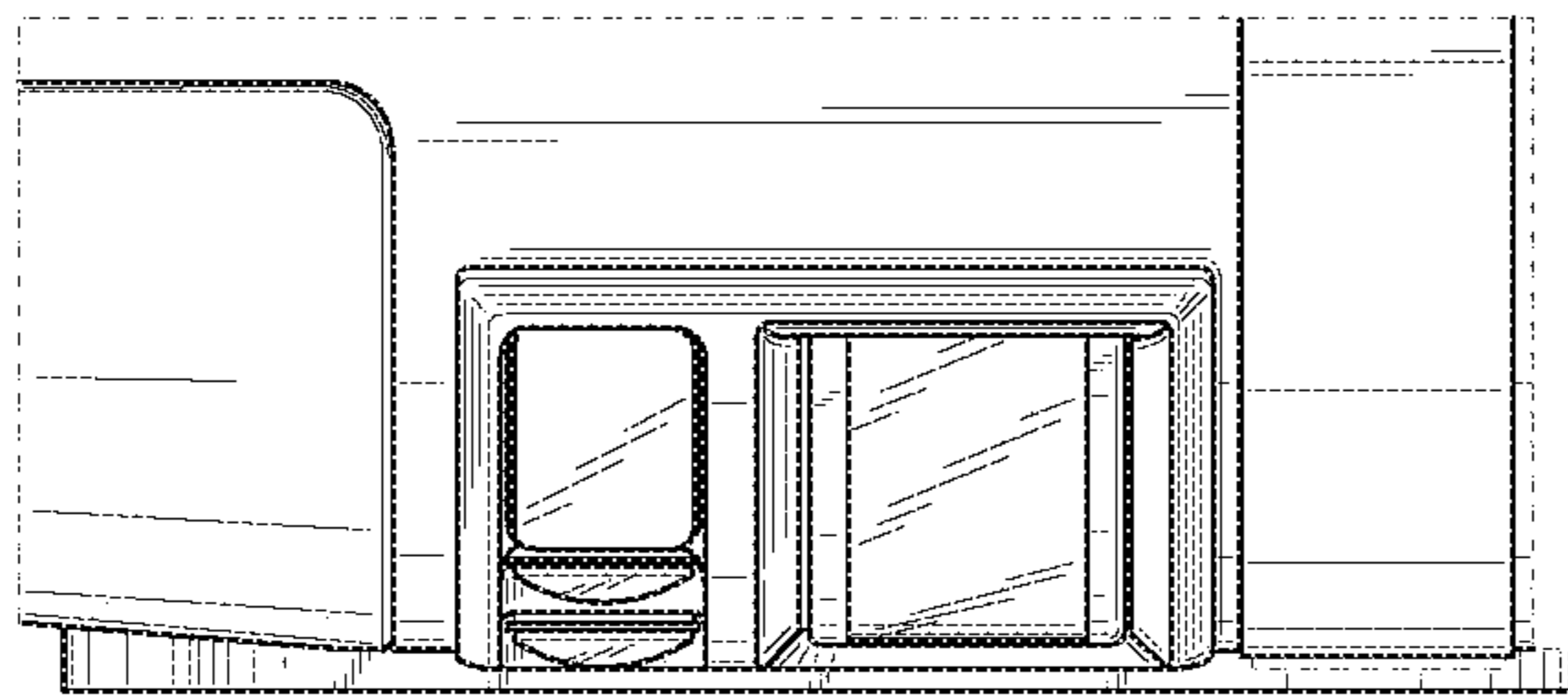


Fig. 4

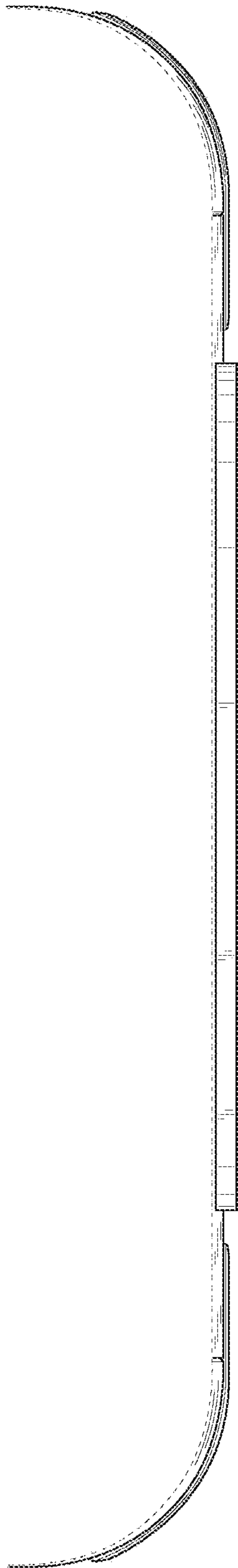


Fig. 6

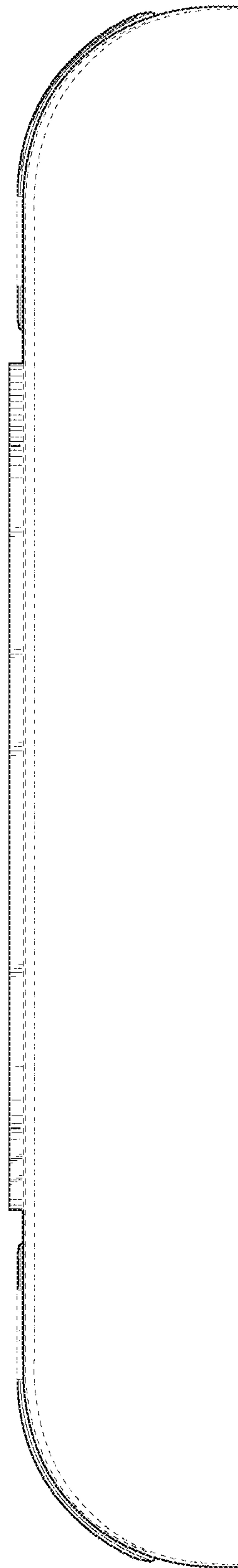


Fig. 7