



US00D885262S

(12) **United States Design Patent** (10) **Patent No.:** **US D885,262 S**
Ninov et al. (45) **Date of Patent:** **** May 26, 2020**

(54) **LOWER GRILLE**

(71) Applicants: **Deyan Ninov**, Royal Oak, MI (US);
Michael Gillam, Oxford, MI (US);
Gregory A. Howell, Farmington, MI (US)

(72) Inventors: **Deyan Ninov**, Royal Oak, MI (US);
Michael Gillam, Oxford, MI (US);
Gregory A. Howell, Farmington, MI (US)

(73) Assignee: **FCA US LLC**, Auburn Hills, MI (US)

(**) Term: **15 Years**

(21) Appl. No.: **29/673,425**

(22) Filed: **Dec. 14, 2018**

Related U.S. Application Data

(63) Continuation-in-part of application No. 29/626,566, filed on Nov. 17, 2017, now Pat. No. Des. 836,036.

(51) **LOC (12) Cl.** **12-16**

(52) **U.S. Cl.**
USPC **D12/163**

(58) **Field of Classification Search**
USPC D12/163, 196, 86, 90-92, 169, 190, 98,
D12/164; 293/102, 113, 115, 117, 120,
293/193.11; 296/180.1, 180.2; 180/68.1,
180/68.6
CPC B60R 19/52; B60K 11/08; B62D 25/08;
B62B 9/16

See application file for complete search history.

(56) **References Cited**

U.S. PATENT DOCUMENTS

D755,082 S 5/2016 Gillam et al.
D805,438 S 12/2017 Scott et al.
D808,308 S 1/2018 Gillam et al.
D836,033 S * 12/2018 Ninov D12/98
D836,036 S * 12/2018 Ninov D12/98

* cited by examiner

Primary Examiner — Melody N Brown

(74) *Attorney, Agent, or Firm* — Ralph E. Smith

(57) **CLAIM**

The ornamental design for a lower grille, as shown and described.

DESCRIPTION

FIG. 1 is a front perspective view of a lower grille showing our new design;

FIG. 2 is a front view thereof;

FIG. 3 is a rear view thereof;

FIG. 4 is a side view thereof;

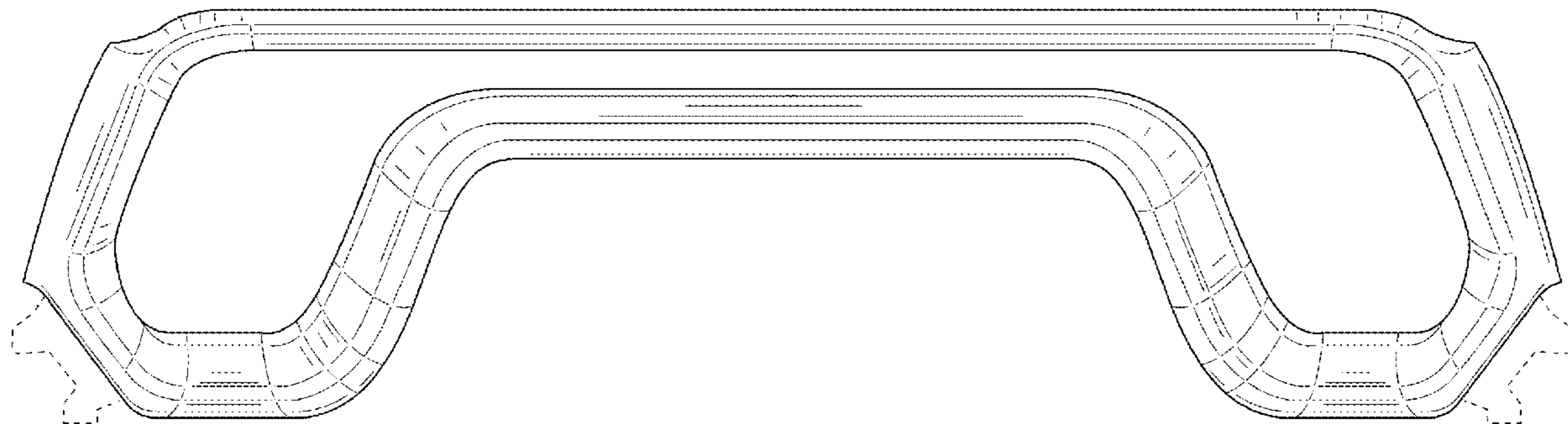
FIG. 5 is a side view thereof;

FIG. 6 is a top view thereof; and,

FIG. 7 is a bottom view thereof.

It will be understood that the broken hoes shown in the drawings illustrate portions of the lower grille that form no part of the claimed design.

1 Claim, 5 Drawing Sheets



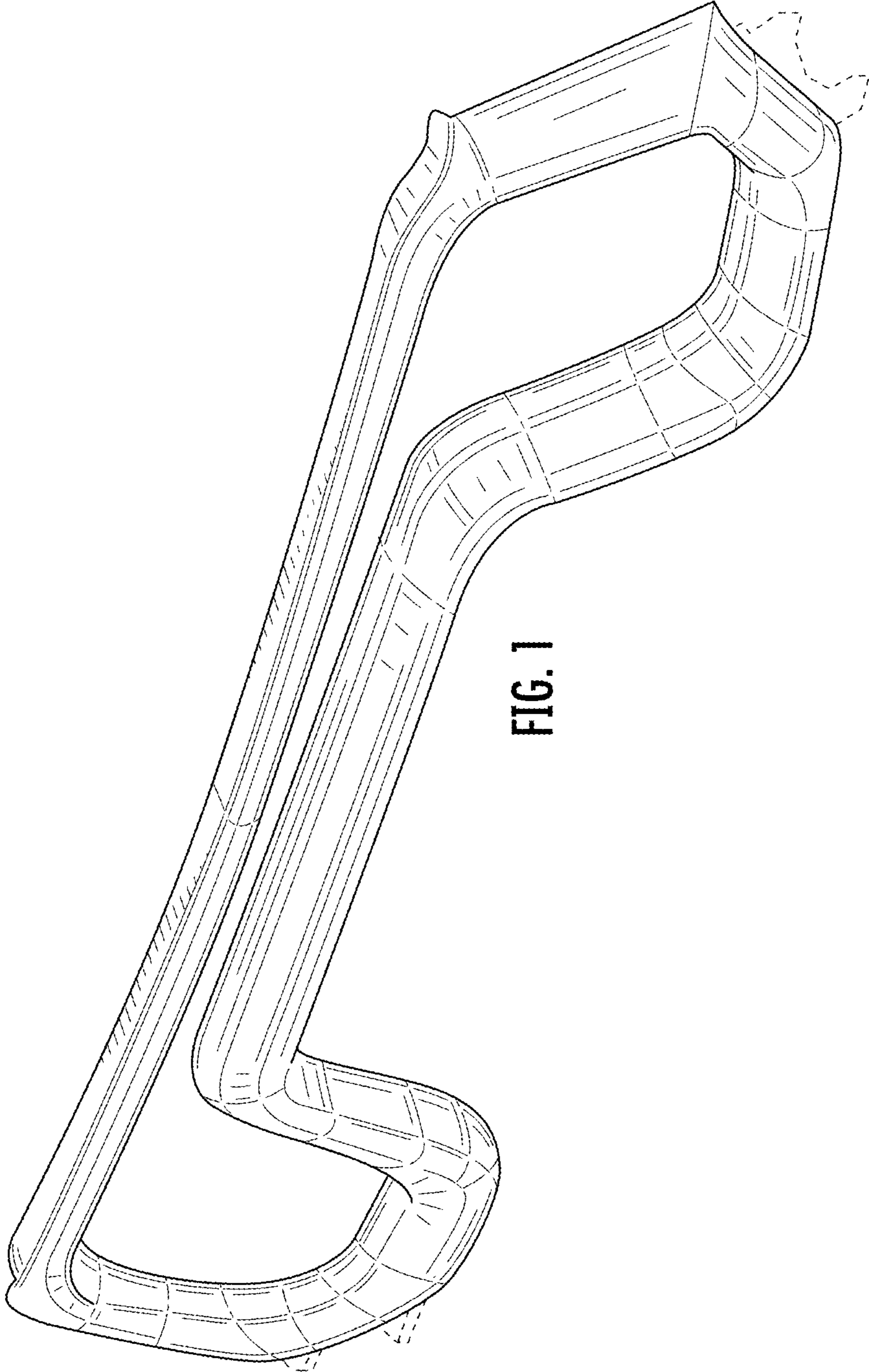


FIG. 1

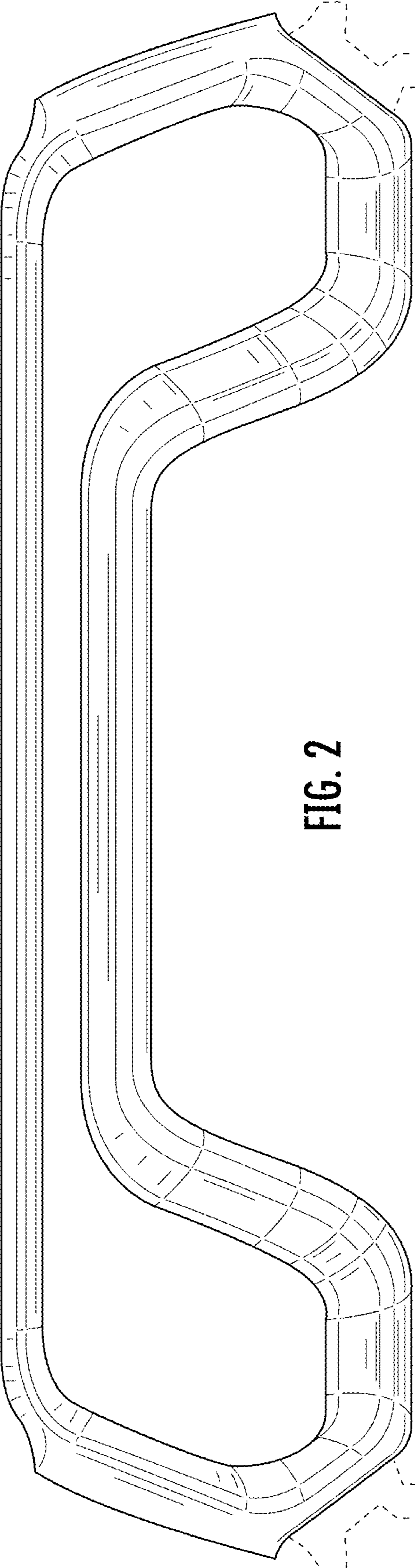


FIG. 2

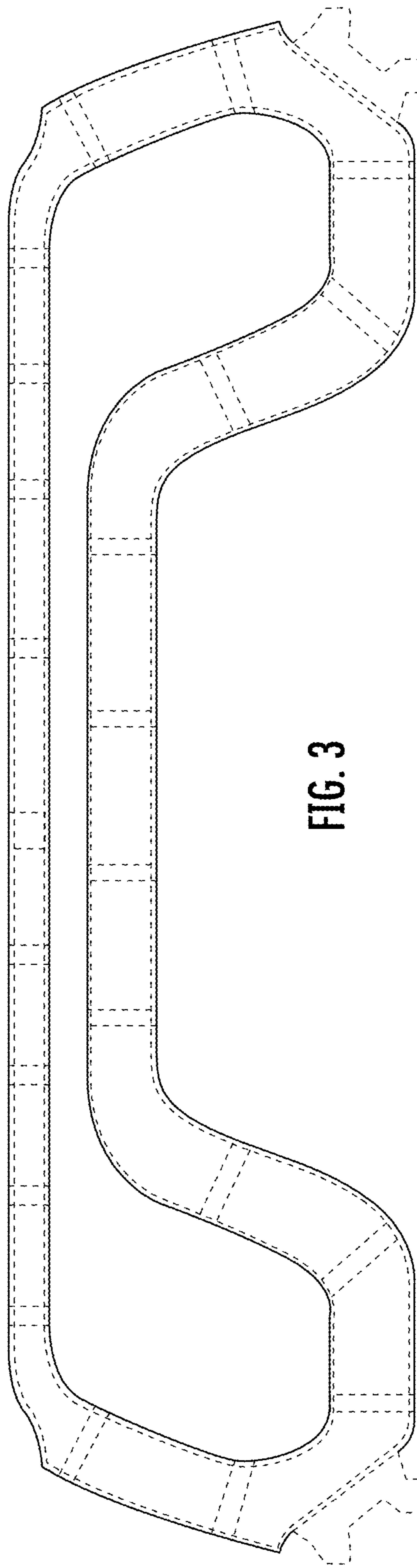


FIG. 3

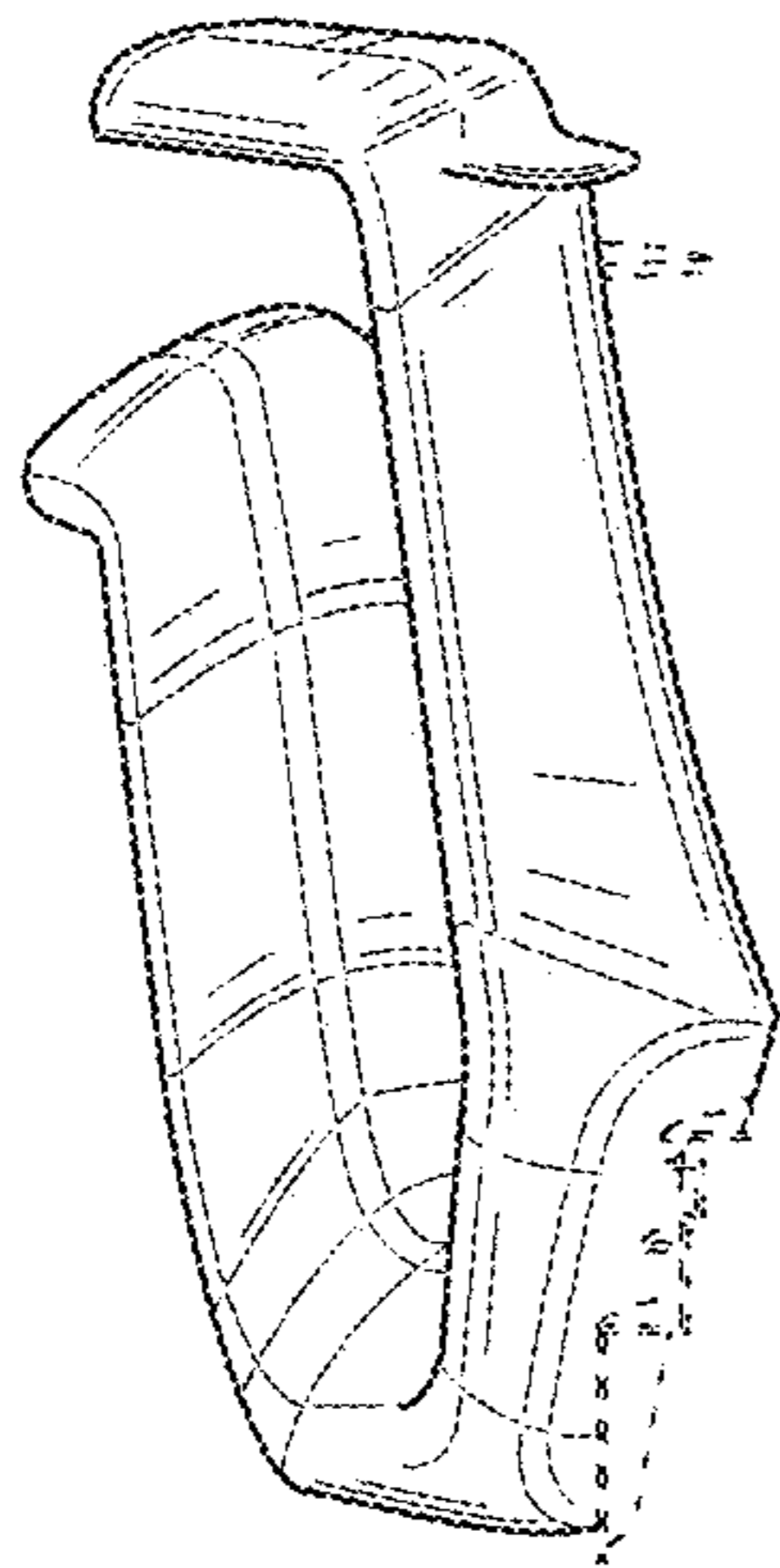


FIG. 4

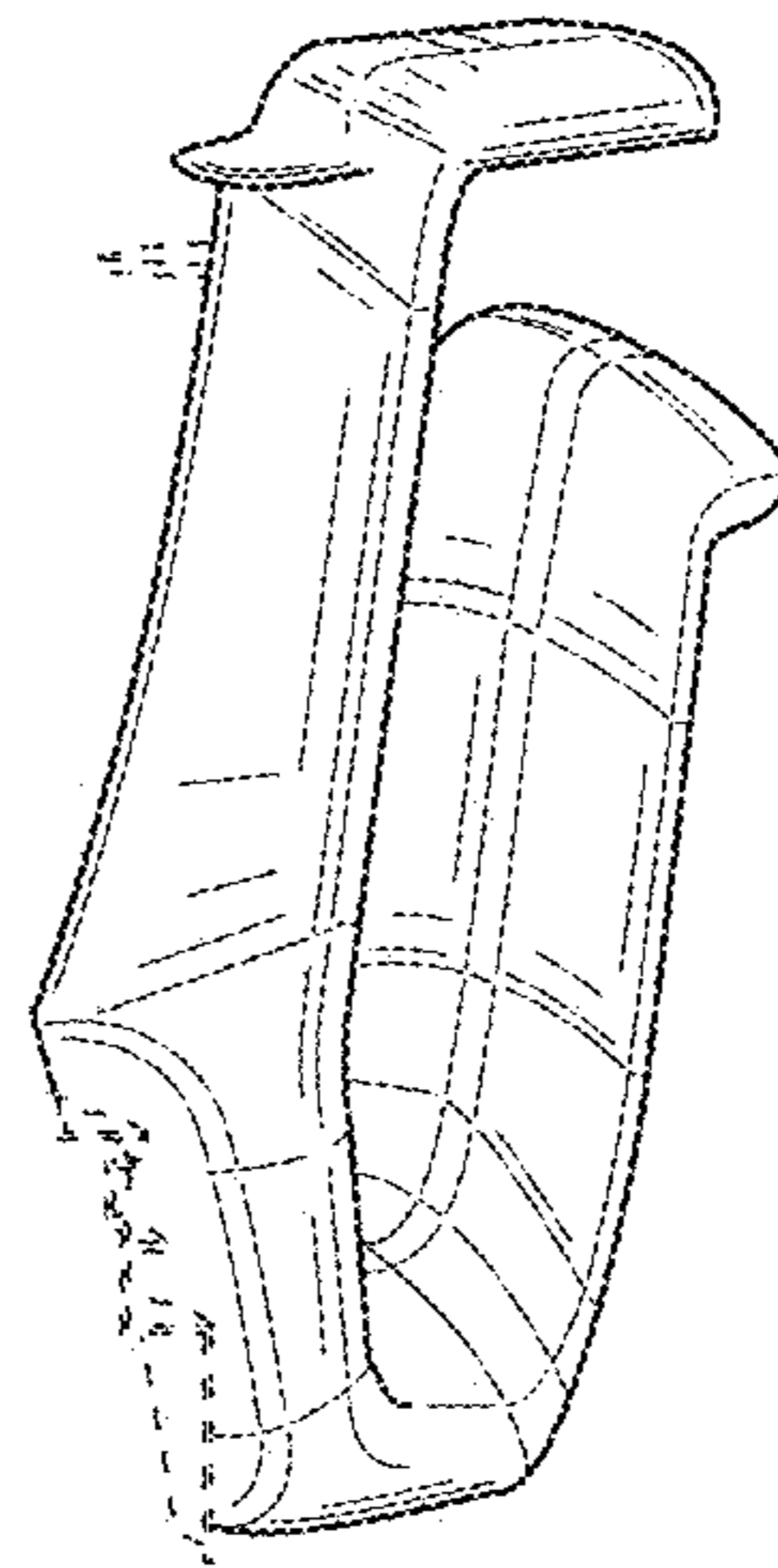


FIG. 5

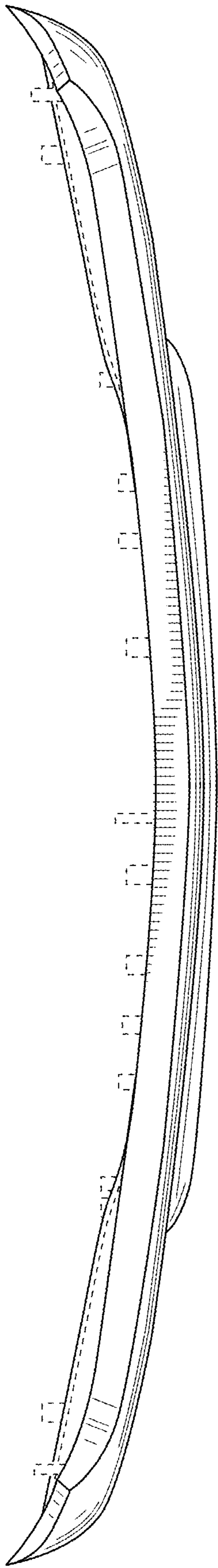


FIG. 6

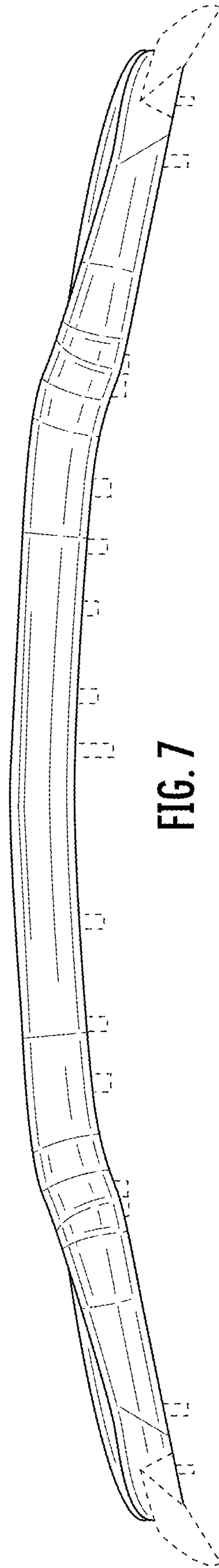


FIG. 7