



US00D885261S

(12) **United States Design Patent**
Zipfel

(10) **Patent No.:** **US D885,261 S**

(45) **Date of Patent:** **** May 26, 2020**

- (54) **VEHICLE GRILLE SURROUND**
- (71) Applicant: **GM GLOBAL TECHNOLOGY OPERATIONS LLC**, Detroit, MI (US)
- (72) Inventor: **Carl J. Zipfel**, Oxford, MI (US)
- (73) Assignee: **GM GLOBAL TECHNOLOGY OPERATIONS LLC**, Detroit, MI (US)
- (**) Term: **15 Years**

- D605,978 S 12/2009 Wolff et al.
- D608,249 S 1/2010 Peters
- D608,690 S 1/2010 Folden et al.
- D608,691 S 1/2010 Zak, Jr. et al.
- D609,608 S 2/2010 Boniface et al.
- D611,387 S 3/2010 Thompson et al.
- D611,879 S 3/2010 Kim et al.
- D612,297 S 3/2010 Peters et al.
- D613,645 S 4/2010 Song et al.
- D615,458 S 5/2010 Thompson et al.
- D618,595 S 6/2010 Ware et al.
- D623,090 S 9/2010 Cox et al.
- D627,262 S 11/2010 Ikeda et al.

(Continued)

(21) Appl. No.: **29/660,419**

(22) Filed: **Aug. 21, 2018**

(51) **LOC (12) Cl.** **12-16**

(52) **U.S. Cl.**
USPC **D12/163**

(58) **Field of Classification Search**
USPC D12/86, 90-92, 163, 169, 171, 173, 181,
D12/184, 196, 216, 388
CPC B60R 19/52; B60K 11/08; B62D 25/08;
B62B 9/16
See application file for complete search history.

(56) **References Cited**

U.S. PATENT DOCUMENTS

- D400,146 S * 10/1998 Marsceau D12/169
- D491,848 S * 6/2004 Metros D12/169
- D535,589 S * 1/2007 Lau D12/163
- D570,742 S 6/2008 Takagi et al.
- D590,753 S * 4/2009 Williams D12/169
- D592,105 S 5/2009 Dean et al.
- D597,447 S 8/2009 Folden
- D600,595 S 9/2009 Nakamura et al.
- D601,925 S 10/2009 O'Donnell
- D603,755 S 11/2009 Peters
- D604,203 S 11/2009 O'Donnell
- D605,082 S 12/2009 Munson
- D605,083 S 12/2009 Manoogian, II et al.
- D605,977 S 12/2009 Zipfel et al.

OTHER PUBLICATIONS

Wgreear. "Toyota Tacoma Grille Surround." Tacoma World, published Aug. 30, 2015 (Retrieved from the Internet Mar. 31, 2020). Internet URL: <<https://www.tacomaworld.com/threads/toyota-tacoma-grille-surround.389149/>> (Year: 2015).*

(Continued)

Primary Examiner — Jack Reickel
Assistant Examiner — Rachel A Voorhies

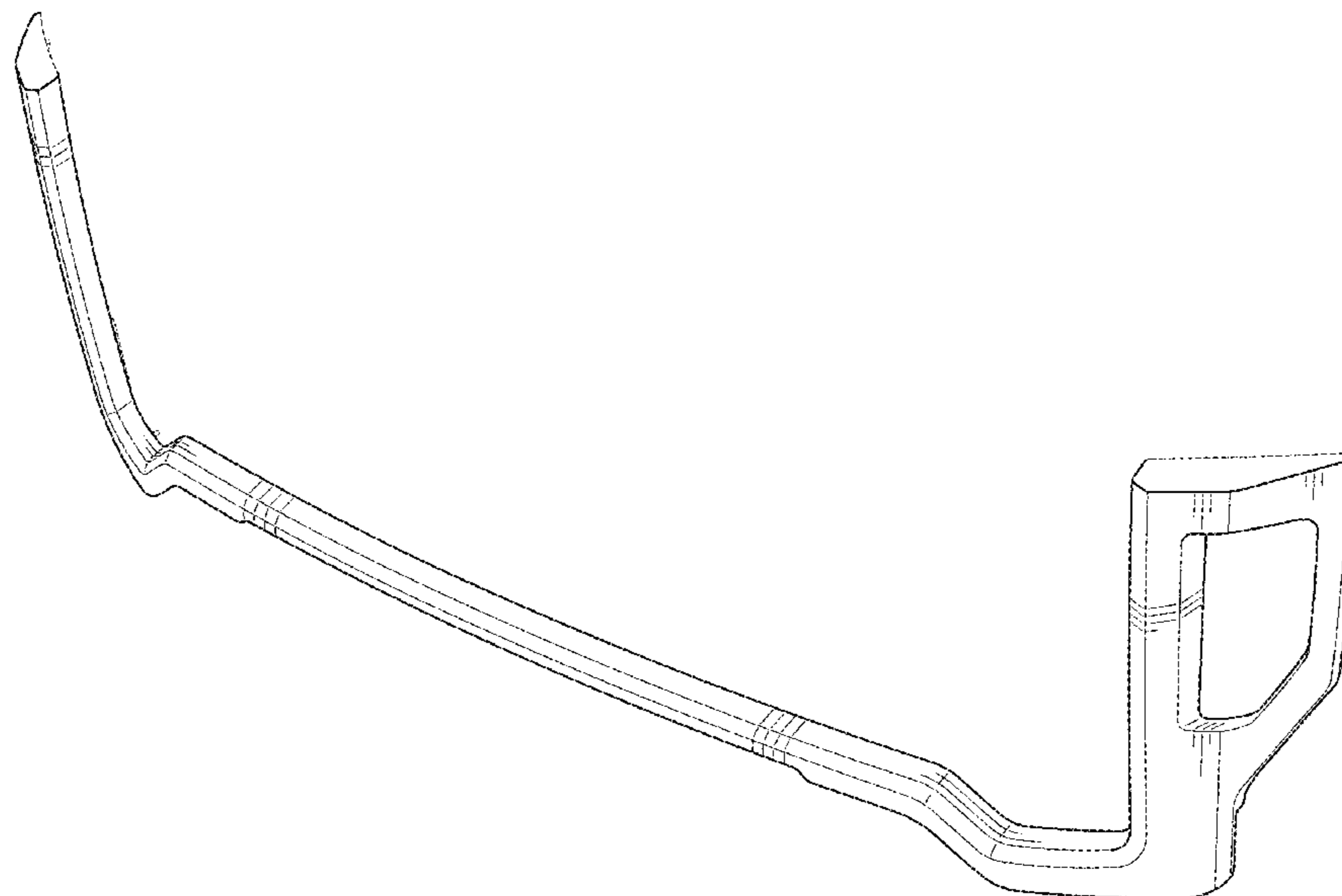
(57) **CLAIM**

The ornamental design for a vehicle grille surround, as shown and described.

DESCRIPTION

FIG. 1 is a perspective view of the vehicle grille surround; FIG. 2 is a front view thereof; FIG. 3 is a leftside view thereof (the rightside view being a mirror image of the leftside view); and, FIG. 4 is a top view thereof. The broken lines in the drawings illustrate portions of the vehicle grille surround that form no part of the claimed design.

1 Claim, 3 Drawing Sheets



(56)

References Cited

U.S. PATENT DOCUMENTS

D635,488 S	4/2011	Phipps	
D644,147 S	8/2011	Suh et al.	
D644,567 S	9/2011	Kozub	
D657,718 S	4/2012	Zipfel et al.	
D659,052 S	5/2012	Ware et al.	
D659,053 S	5/2012	Ware et al.	
D668,182 S	10/2012	Barba Franco et al.	
D668,183 S	10/2012	Smart	
D678,820 S	3/2013	Son et al.	
D678,821 S	3/2013	Ikeda et al.	
D680,909 S	4/2013	Munson et al.	
D680,910 S	4/2013	David	
D682,170 S *	5/2013	Tomatsu	D12/169
D684,899 S	6/2013	Baker	
D686,536 S	7/2013	McCabe et al.	
D692,798 S	11/2013	Thurber	
D692,799 S	11/2013	Smith et al.	
D696,157 S	12/2013	Loeb	
D699,629 S	2/2014	Ikeda et al.	
D700,871 S	3/2014	O'Donnell et al.	
D703,103 S	4/2014	Lee	
D704,103 S	5/2014	Mack et al.	
D705,132 S	5/2014	Ware et al.	
D705,699 S	5/2014	Ware et al.	
D713,298 S	9/2014	Dyson	
D713,764 S	9/2014	Ferlazzo et al.	
D716,696 S	11/2014	Thole et al.	
D716,706 S	11/2014	Thole et al.	
D716,709 S	11/2014	Thole et al.	
D717,696 S	11/2014	Thole et al.	
D718,189 S	11/2014	Krieg et al.	
D718,683 S	12/2014	Thole et al.	
D722,282 S	2/2015	Loeb	
D722,533 S	2/2015	Thole et al.	
D722,534 S	2/2015	Munson et al.	
D724,510 S	3/2015	McMahan et al.	
D725,001 S	3/2015	McMahan et al.	
D726,591 S	4/2015	Jacob	
D730,776 S	6/2015	Smart	
D730,783 S	6/2015	Henriques et al.	
D732,427 S	6/2015	Loeb	
D732,429 S	6/2015	Loeb	
D732,430 S	6/2015	Loeb	
D732,431 S	6/2015	Loeb	
D732,432 S	6/2015	Aengenheyster	
D732,433 S	6/2015	Aengenheyster	
D732,435 S	6/2015	Mackay	
D733,002 S	6/2015	Loeb	
D735,611 S	8/2015	Aengenheyster	
D735,627 S	8/2015	Smith	
D736,451 S	8/2015	Smith	
D739,306 S	9/2015	McMahan et al.	
D739,317 S	9/2015	McMahan et al.	
D741,223 S	10/2015	Kim et al.	
D743,309 S	11/2015	Thole et al.	
D743,313 S	11/2015	Smith et al.	
D743,314 S	11/2015	Thole et al.	
D743,857 S	11/2015	McMahan et al.	
D744,158 S	11/2015	Willett et al.	
D745,086 S	12/2015	Finos et al.	
D745,719 S	12/2015	Boniface et al.	
D745,725 S	12/2015	McMahan et al.	
D745,726 S	12/2015	McMahan et al.	
D745,837 S	12/2015	Smith et al.	
D746,726 S	1/2016	Smith et al.	
D746,727 S	1/2016	Smith et al.	
D746,728 S	1/2016	Smith et al.	
D746,729 S	1/2016	Boniface et al.	
D746,730 S	1/2016	Kim et al.	
D747,514 S	1/2016	McMahan et al.	
D747,515 S	1/2016	McMahan et al.	
D747,819 S	1/2016	Thole et al.	
D749,021 S	2/2016	Boniface et al.	
D749,026 S	2/2016	Smith et al.	
D749,027 S	2/2016	McMahan et al.	
D749,246 S	2/2016	Thole et al.	
D749,249 S	2/2016	Thole et al.	
D749,250 S	2/2016	Thole et al.	
D749,985 S	2/2016	Kozub et al.	
D749,997 S	2/2016	McMahan et al.	
D750,001 S	2/2016	Thole et al.	
D753,032 S	4/2016	Smith et al.	
D753,033 S	4/2016	Thole et al.	
D753,034 S	4/2016	Thole et al.	
D753,035 S	4/2016	Boniface et al.	
D753,559 S	4/2016	McMahan et al.	
D753,560 S	4/2016	McMahan et al.	
D753,567 S	4/2016	Boniface et al.	
D754,571 S	4/2016	Boniface et al.	
D754,572 S	4/2016	McMahan et al.	
D755,088 S	5/2016	McMahan et al.	
D756,869 S	5/2016	McMahan et al.	
D758,271 S	6/2016	McMahan et al.	
D761,167 S *	7/2016	Choi	D12/169
D762,531 S *	8/2016	Platto	D12/169
D764,975 S	8/2016	Aengenheyster	
D764,976 S	8/2016	Aengenheyster	
D766,143 S *	9/2016	Maeda	D12/169
D767,449 S	9/2016	Pevovar et al.	
D767,450 S	9/2016	Lee et al.	
D767,451 S	9/2016	Kozub et al.	
D767,454 S	9/2016	McMahan et al.	
D767,458 S	9/2016	Kim	
D767,459 S	9/2016	Kim	
D767,460 S	9/2016	Kozub et al.	
D767,461 S	9/2016	Kozub et al.	
D771,528 S	11/2016	Smith et al.	
D771,529 S	11/2016	Thole et al.	
D771,532 S	11/2016	Kapitonov	
D771,533 S	11/2016	Kapitonov	
D772,766 S	11/2016	Kozub et al.	
D772,767 S	11/2016	Kim	
D773,084 S	11/2016	Kapitonov	
D773,086 S	11/2016	McCabe et al.	
RE46,247 E *	12/2016	Hanson	D12/169
D774,226 S	12/2016	McCabe et al.	
D774,428 S *	12/2016	Davidson	D12/169
D775,003 S	12/2016	Pevovar et al.	
D775,007 S	12/2016	Thole et al.	
D775,010 S	12/2016	Kim et al.	
D775,049 S	12/2016	Scheer et al.	
D775,549 S	1/2017	Karras	
D775,554 S	1/2017	Kapitonov	
D776,020 S	1/2017	Kapitonov	
D776,581 S	1/2017	Pevovar et al.	
D776,583 S	1/2017	Scheer et al.	
D776,841 S	1/2017	Kozub et al.	
D776,843 S	1/2017	McCabe et al.	
D776,846 S	1/2017	Willett et al.	
D777,359 S	1/2017	Kozub et al.	
D777,360 S	1/2017	Kozub et al.	
D777,361 S	1/2017	Kozub et al.	
D777,604 S	1/2017	McNerney	
D777,605 S	1/2017	Ferlazzo et al.	
D777,620 S	1/2017	Pevovar et al.	
D777,621 S	1/2017	Kim	
D777,622 S	1/2017	Kozub et al.	
D777,628 S	1/2017	Kozub et al.	
D777,955 S	1/2017	Willett et al.	
D778,212 S	2/2017	Kozub et al.	
D778,215 S	2/2017	Kozub et al.	
D780,064 S	2/2017	Smith et al.	
D780,067 S	2/2017	Zipfel et al.	
D780,068 S	2/2017	Whitla et al.	
D780,077 S	2/2017	Kim et al.	
D780,081 S	2/2017	Lee	
D780,084 S	2/2017	Scheer et al.	
D780,631 S	3/2017	Kozub et al.	
D780,644 S	3/2017	Kim et al.	
D781,184 S	3/2017	Thole et al.	
D781,192 S	3/2017	Kozub et al.	
D782,379 S	3/2017	Wassell	
D783,482 S	4/2017	Smith et al.	
D784,213 S	4/2017	Karras	

(56)

References Cited

U.S. PATENT DOCUMENTS

D784,223 S	4/2017	Lee	D799,385 S	10/2017	Kozub et al.
D784,226 S	4/2017	Cheng	D799,386 S	10/2017	Kozub et al.
D784,579 S	4/2017	Cheng et al.	D799,728 S	10/2017	Whitla et al.
D784,877 S	4/2017	Lee	D801,236 S	10/2017	Kozub et al.
D784,886 S	4/2017	Smith et al.	D801,577 S	10/2017	Ruiz
D785,521 S	5/2017	Smith et al.	D801,882 S	11/2017	Kozub et al.
D786,149 S	5/2017	Pevovar et al.	D802,205 S	11/2017	Ruiz
D786,743 S	5/2017	Smith et al.	D802,478 S	11/2017	Perkins
D786,750 S	5/2017	Lee	D802,491 S	11/2017	Mainville
D787,446 S	5/2017	Cockerill	D802,496 S	* 11/2017	Mainville D12/169
D787,984 S	5/2017	Fang	D802,502 S	11/2017	McMahan
D787,988 S	5/2017	Lee	D803,727 S	11/2017	Noone et al.
D787,989 S	5/2017	Kozub et al.	D803,731 S	11/2017	Zipfel et al.
D787,990 S	5/2017	Kozub et al.	D804,370 S	12/2017	Kozub et al.
D787,992 S	5/2017	Lee	D804,371 S	12/2017	Whitla et al.
D787,993 S	5/2017	McCabe et al.	D804,372 S	12/2017	Kozub
D788,001 S	5/2017	Lee	D804,378 S	12/2017	Perkins
D788,641 S	6/2017	Arnold	D804,379 S	12/2017	McMahan
D788,644 S	6/2017	Mueller	D805,006 S	12/2017	Nakamura
D788,645 S	6/2017	Mueller	D805,013 S	12/2017	Whitla et al.
D789,250 S	6/2017	Arnold	D805,014 S	12/2017	Zipfel et al.
D789,260 S	6/2017	Smith	D805,441 S	12/2017	Karras
D789,575 S	6/2017	Willett	D805,964 S	12/2017	Whitla
D789,841 S	6/2017	Lee	D805,965 S	12/2017	Davis
D789,849 S	6/2017	Lee	D805,966 S	12/2017	Perkins
D791,018 S	7/2017	Mylenek	D805,985 S	12/2017	Nakamura
D791,644 S	7/2017	Fang	D807,232 S	1/2018	Bailie
D792,290 S	7/2017	Smith et al.	D807,239 S	1/2018	Perkins
D792,293 S	7/2017	McCabe et al.	D807,240 S	1/2018	Perkins
D792,294 S	7/2017	McCabe et al.	D807,241 S	1/2018	Perkins
D792,295 S	7/2017	McCabe et al.	D807,243 S	* 1/2018	Piscitelli D12/163
D792,815 S	7/2017	Kozub	D809,442 S	2/2018	Zipfel et al.
D792,816 S	7/2017	Kozub	D811,269 S	2/2018	Thompson et al.
D793,290 S	8/2017	Kozub	D811,942 S	3/2018	Jacob
D793,292 S	8/2017	Lee	D811,957 S	3/2018	Whitla et al.
D793,293 S	8/2017	Lee et al.	D811,958 S	3/2018	Zipfel et al.
D793,294 S	8/2017	Lee	D811,959 S	3/2018	Perkins
D793,295 S	8/2017	McCabe et al.	D811,960 S	3/2018	Nakamura
D793,296 S	8/2017	Smith et al.	D811,961 S	3/2018	Sullivan
D793,297 S	8/2017	Smith et al.	D811,962 S	3/2018	Sullivan
D793,299 S	8/2017	Krieg et al.	D811,963 S	3/2018	Sullivan
D793,300 S	8/2017	Krieg et al.	D811,964 S	3/2018	Perkins
D793,301 S	8/2017	Kozub	D811,965 S	3/2018	Moffett et al.
D793,302 S	8/2017	Kozub	D812,525 S	3/2018	Lee
D793,311 S	8/2017	Whitla et al.	D812,526 S	3/2018	Zipfel et al.
D793,590 S	8/2017	Kozub et al.	D812,527 S	3/2018	Perkins
D793,591 S	8/2017	Kozub et al.	D812,528 S	3/2018	Nakamura
D793,917 S	8/2017	Kozub	D813,098 S	3/2018	Thompson et al.
D793,918 S	8/2017	Kozub	D813,109 S	3/2018	Zipfel et al.
D794,229 S	8/2017	Barry	D813,110 S	3/2018	Whitla et al.
D794,230 S	8/2017	Kozub	D813,111 S	3/2018	Sullivan
D795,747 S	8/2017	Bailie	D813,116 S	3/2018	Park
D795,757 S	8/2017	Pevovar et al.	D813,117 S	3/2018	Sullivan
D795,758 S	8/2017	Karras	D813,121 S	3/2018	Swanseger
D795,759 S	8/2017	Kozub et al.	D813,730 S	3/2018	Zipfel et al.
D795,760 S	8/2017	Kozub et al.	D813,731 S	3/2018	McMahan
D795,762 S	8/2017	Lee	D813,732 S	3/2018	Whitla et al.
D795,763 S	8/2017	Kozub	D813,733 S	3/2018	Lee
D796,088 S	8/2017	McCabe et al.	D813,734 S	3/2018	Nakamura
D796,093 S	8/2017	Mainville	D813,740 S	3/2018	Park
D796,390 S	9/2017	Pevovar et al.	D813,741 S	3/2018	Perkins
D797,537 S	9/2017	Cooper et al.	D813,742 S	3/2018	McMahan et al.
D797,603 S	9/2017	Noone et al.	D813,743 S	3/2018	Lee
D797,614 S	9/2017	Lee	D813,744 S	3/2018	Whitla et al.
D797,616 S	9/2017	Lee	D813,748 S	3/2018	Kim
D797,624 S	9/2017	Nakamura	D813,753 S	3/2018	Loeb
D797,625 S	9/2017	Perkins	D813,754 S	3/2018	Loeb
D797,631 S	9/2017	Pevovar et al.	D813,755 S	3/2018	Loeb
D797,632 S	9/2017	Zipfel et al.	D813,756 S	3/2018	Loeb
D797,967 S	9/2017	Barry	D813,757 S	3/2018	Kozub
D797,970 S	9/2017	Mainville	D813,758 S	3/2018	Gonzales
D797,971 S	9/2017	Mainville	D813,759 S	3/2018	Perkins
D797,972 S	9/2017	Whitla et al.	D814,369 S	4/2018	Loeb
D798,204 S	9/2017	Mainville	D814,982 S	4/2018	Whitla et al.
D799,384 S	10/2017	Kozub et al.	D814,983 S	4/2018	Whitla et al.
			D815,570 S	4/2018	McMahan et al.
			D815,572 S	4/2018	Perkins
			D815,573 S	4/2018	Whitla et al.
			D815,574 S	4/2018	Mainville

(56)

References Cited

U.S. PATENT DOCUMENTS

D815,993 S 4/2018 Kozub et al.
 D815,994 S 4/2018 Nakamura
 D816,003 S 4/2018 Perkins
 D816,558 S 5/2018 McMahan et al.
 D816,559 S 5/2018 McMahan et al.
 D816,561 S 5/2018 McMahan
 D816,562 S 5/2018 Whitla et al.
 D816,563 S 5/2018 McMahan et al.
 D816,564 S 5/2018 Kim
 D816,565 S 5/2018 Kim
 D816,566 S 5/2018 Loeb
 D817,836 S 5/2018 McMahan et al.
 D818,156 S 5/2018 Kim et al.
 D818,157 S 5/2018 Zipfel et al.
 D818,158 S 5/2018 Zipfel et al.
 D818,159 S 5/2018 Zipfel et al.
 D818,160 S 5/2018 Perkins
 D818,406 S 5/2018 McMahan et al.
 D818,876 S 5/2018 Whitla et al.
 D818,877 S 5/2018 Nakamura et al.
 D818,878 S 5/2018 McMahan et al.
 D818,892 S 5/2018 Lee
 D818,893 S 5/2018 Kim
 D818,903 S 5/2018 Zipfel et al.
 D818,906 S 5/2018 McMahan

D818,907 S 5/2018 Whitla et al.
 D818,915 S 5/2018 Kozub et al.
 D818,922 S 5/2018 Whitla et al.
 D819,505 S 6/2018 McMahan et al.
 D819,519 S 6/2018 Whitla et al.
 D821,617 S 6/2018 Perkins
 D822,550 S 7/2018 Wassell et al.
 D822,551 S 7/2018 McMahan et al.
 D823,188 S 7/2018 Loeb
 D823,738 S 7/2018 Kim
 D823,741 S 7/2018 Kim
 D823,762 S 7/2018 Loeb
 D823,763 S 7/2018 Koo et al.
 D843,278 S * 3/2019 Horie D12/169
 D847,044 S * 4/2019 Zipfel D12/169
 D850,991 S * 6/2019 Bucher D12/169
 D856,868 S * 8/2019 Dewitt D12/169
 2013/0026791 A1 * 1/2013 Huber B60R 19/24
 296/193.09

OTHER PUBLICATIONS

Mikeblecher. "Front Grille Removal Question." Nissan Titan Forum, published Jul. 5, 2018 (Retrieved from the Internet Mar. 31, 2020). Internet URL: <<https://www.titantalk.com/threads/front-grill-removal-question.381361/>> (Year: 2018).*

* cited by examiner

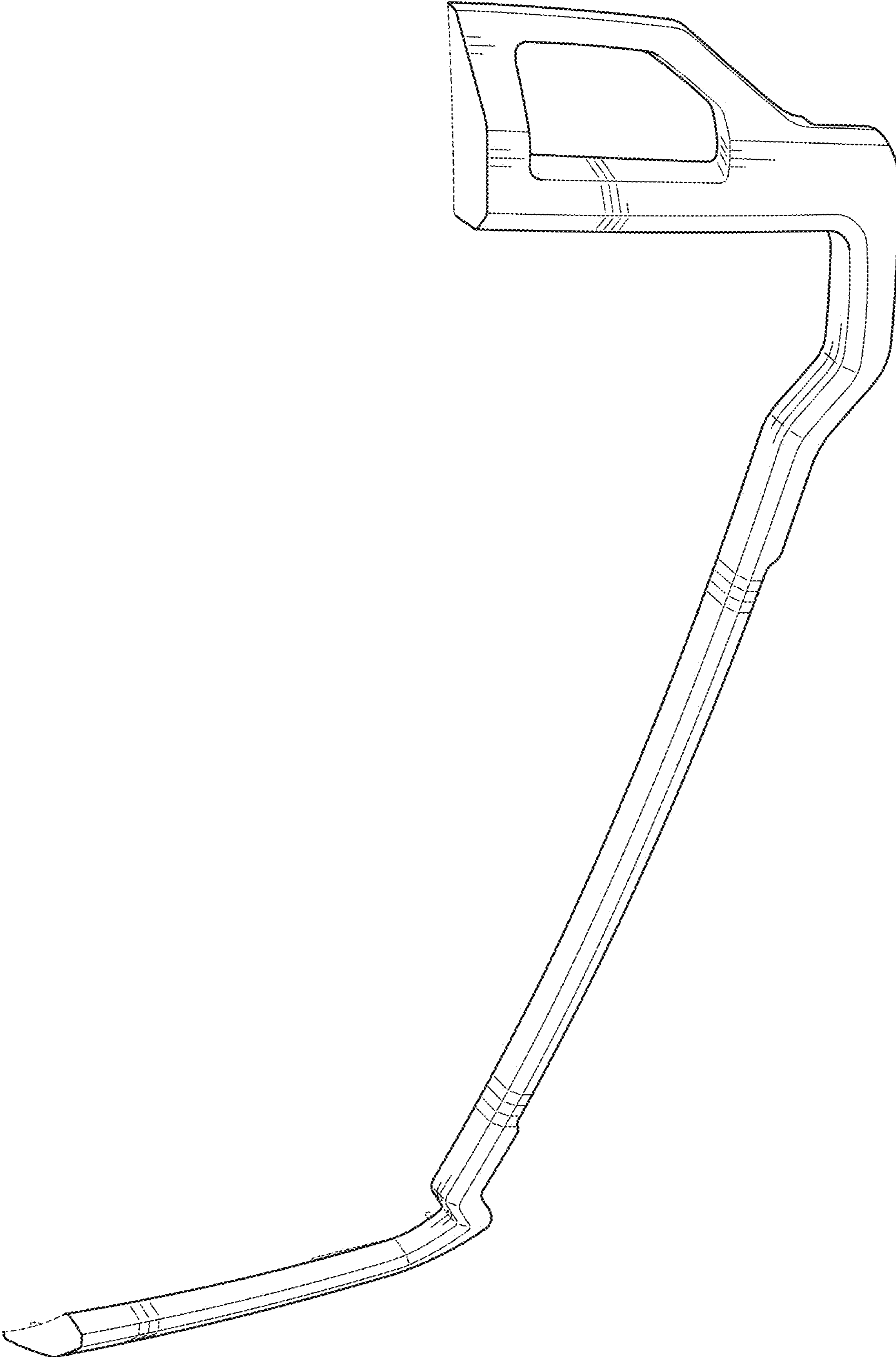


FIG. 1

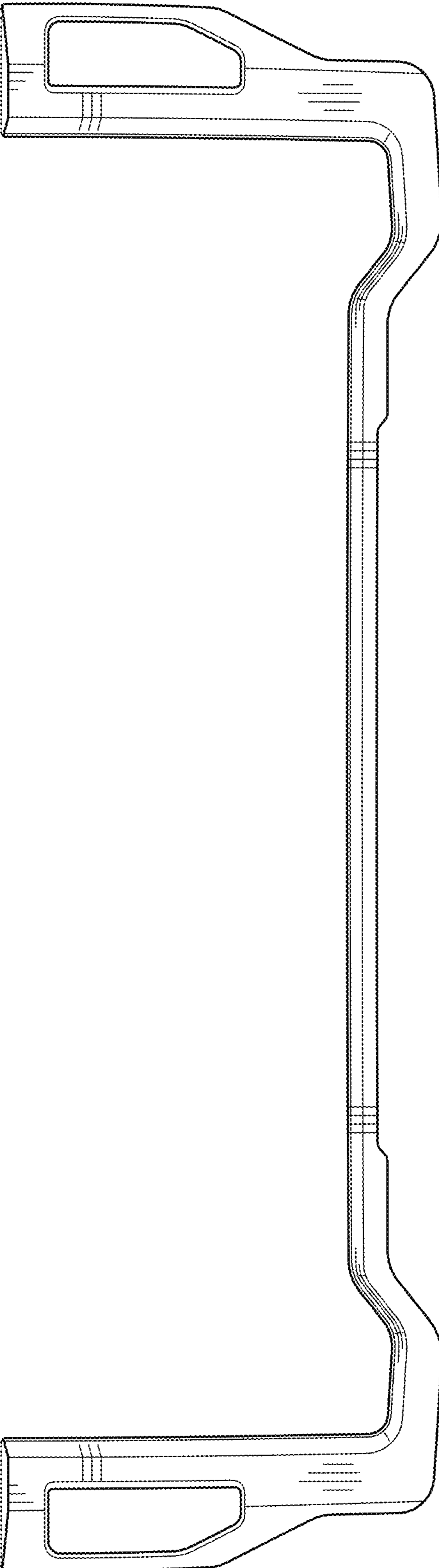


FIG. 2

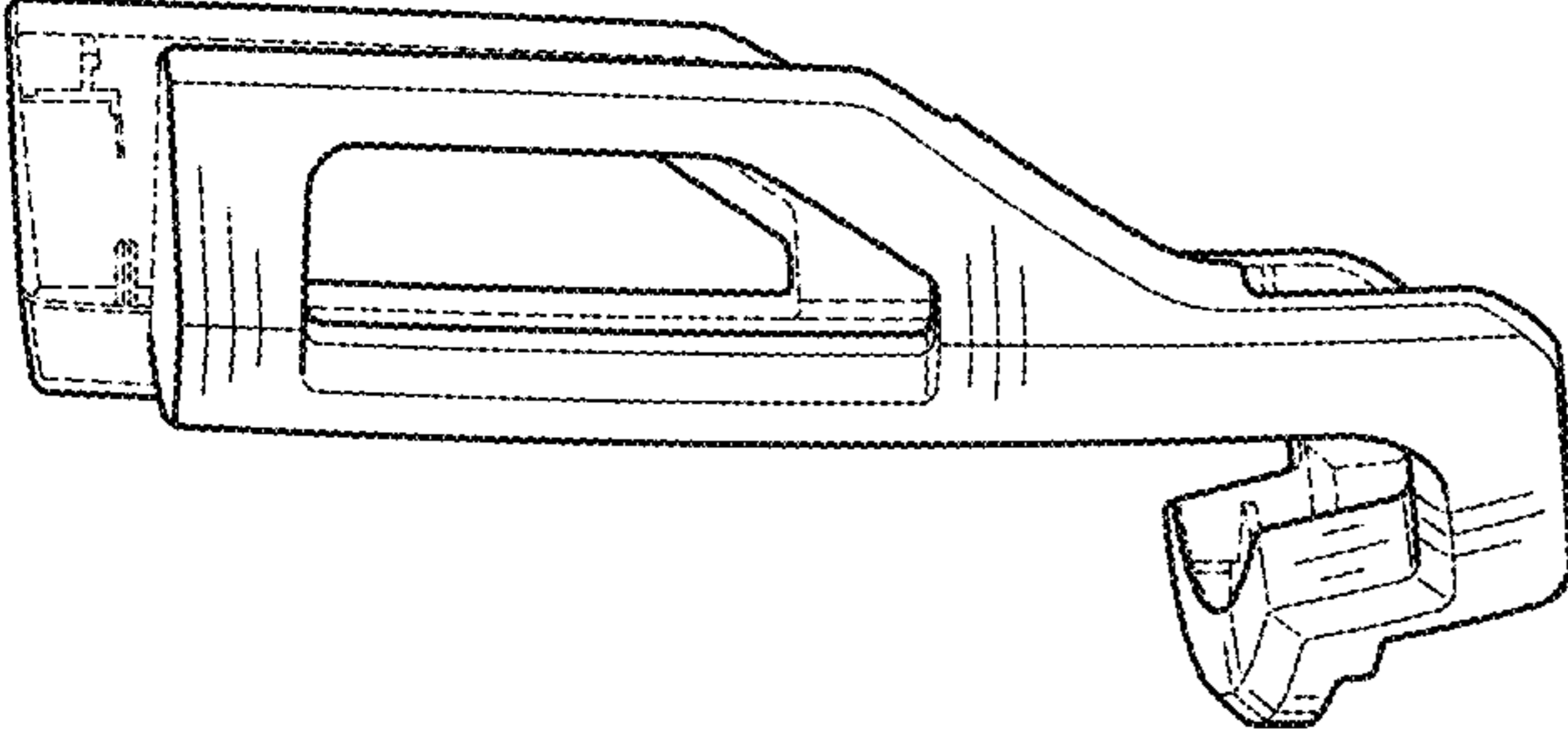


FIG. 3

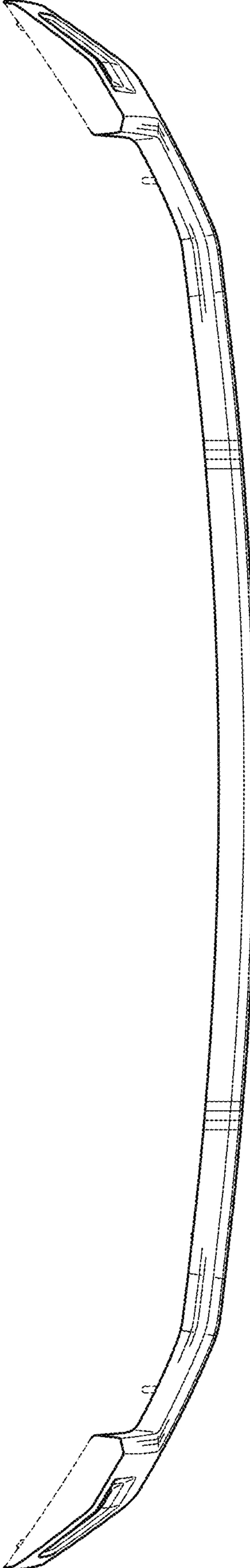


FIG. 4