



US00D885260S

(12) **United States Design Patent** (10) **Patent No.:** **US D885,260 S**
Peltola et al. (45) **Date of Patent:** **** May 26, 2020**

(54) **GRILLE SURROUND**
(71) Applicant: **PACCAR Inc**, Bellevue, WA (US)
(72) Inventors: **Wallace A. Peltola**, Sammamish, WA (US); **Jonathan S. Duncan**, Seattle, WA (US); **Scott D. Hite**, Pilot Point, TX (US); **Brent Johnson**, Denton, TX (US)

D530,247 S 10/2006 Angelo et al.
D542,715 S 5/2007 Beigel et al.
D551,133 S 9/2007 Angelo et al.
D597,106 S * 7/2009 Kelley D12/163
D605,986 S * 12/2009 Raghavendran D12/163
D631,800 S 2/2011 Peltola et al.
D637,530 S 5/2011 Aris et al.
D645,797 S 9/2011 Beigel et al.
D647,001 S * 10/2011 Rajderkar D12/15
D647,827 S 11/2011 Medina et al.
(Continued)

(73) Assignee: **PACCAR Inc**, Bellevue, WA (US)
(**) Term: **15 Years**

(21) Appl. No.: **29/637,633**
(22) Filed: **Feb. 20, 2018**

Related U.S. Application Data

(63) Continuation of application No. 29/599,306, filed on Mar. 31, 2017, now Pat. No. Des. 835,011.
(51) **LOC (12) Cl.** **12-16**
(52) **U.S. Cl.**
USPC **D12/163**
(58) **Field of Classification Search**
USPC D12/86, 91, 93, 163, 164, 166, 167, 169,
D12/171, 172, 173, 190, 216
CPC B60R 9/06; B60R 19/04; B60R 19/18;
B60R 19/44; B60R 19/48
See application file for complete search history.

(56) **References Cited**

U.S. PATENT DOCUMENTS

D313,784 S 1/1991 Marlow et al.
D395,860 S 7/1998 Meryman et al.
D403,636 S 1/1999 Meryman et al.
D405,037 S 2/1999 Meryman et al.
D412,874 S 8/1999 Meryman et al.
D420,961 S * 2/2000 Sousamian D12/163
D432,061 S * 10/2000 Sousamian D12/163

OTHER PUBLICATIONS

“AeroCab,” Kenworth Truck Company, Kirkland, Washington, 1993, 5-page brochure.
(Continued)

Primary Examiner — Susan Bennett Hattan
Assistant Examiner — Suzanne E Tisdell
(74) *Attorney, Agent, or Firm* — Seed IP Law Group LLP

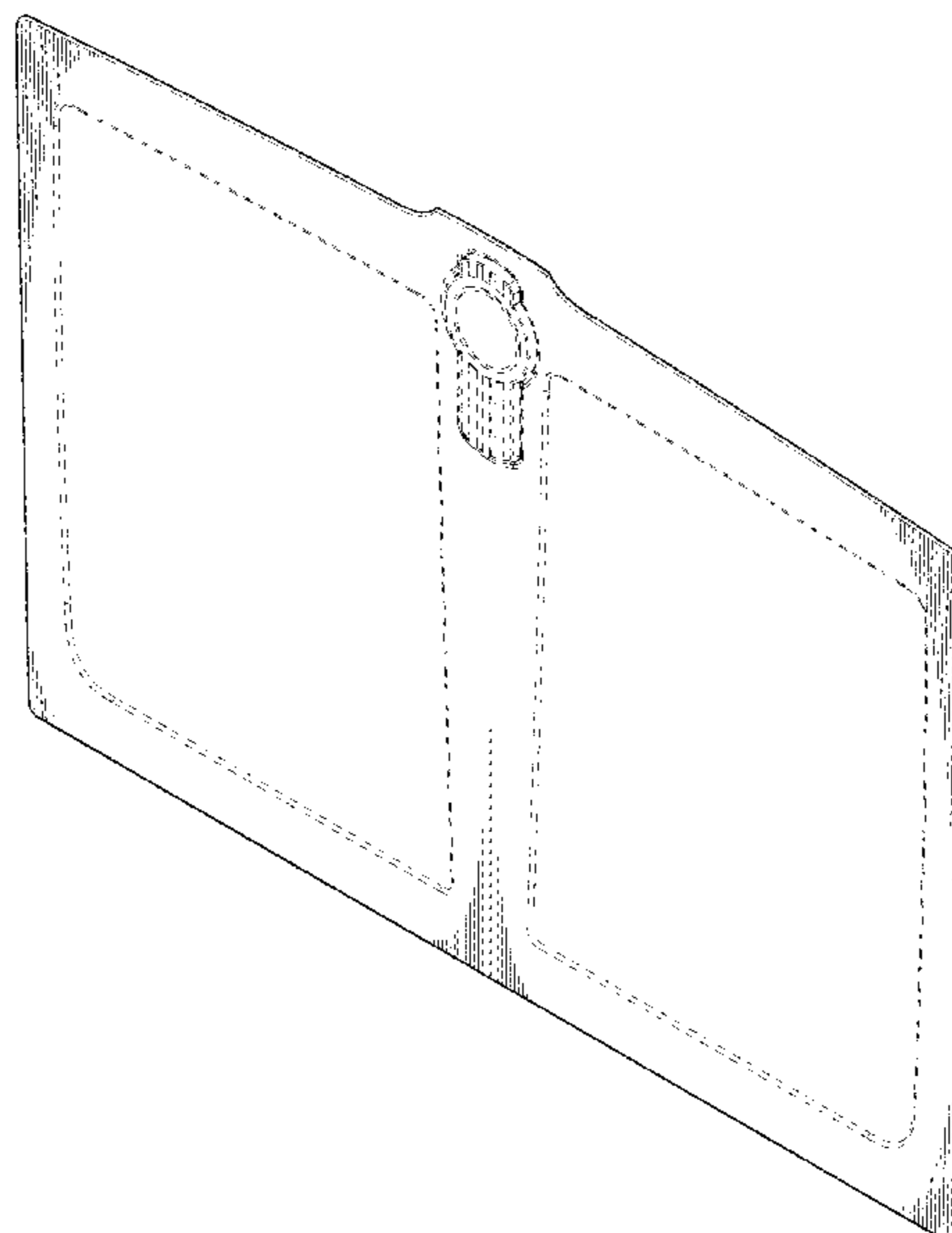
(57) **CLAIM**

The ornamental design for a grille surround, as shown and described.

DESCRIPTION

FIG. 1 is a perspective view of a grille surround showing our new design;
FIG. 2 is a front view of the grille surround shown in FIG. 1;
FIG. 3 is a top view of the grille surround shown in FIG. 1; and,
FIG. 4 is a left side view of the grille surround shown in FIG. 1, the right side view of the front surface configuration of a grille surround shown in FIG. 1 being mirror symmetrical to that shown in FIG. 4.
The broken lines shown in the figures represent portions of the grille surround that form no part of the claimed design.

1 Claim, 4 Drawing Sheets



(56)

References Cited

U.S. PATENT DOCUMENTS

D655,320 S * 3/2012 Hiraoka B60R 13/04
 D15/28
 D685,294 S * 7/2013 Hanson D12/93
 D709,410 S 7/2014 Conway et al.
 D710,765 S * 8/2014 Conway D12/163
 D711,786 S * 8/2014 Brzustowicz D12/96
 D711,788 S * 8/2014 Brzustowicz D12/96
 D719,879 S * 12/2014 Ito D12/96
 D742,287 S * 11/2015 Hanson D12/163
 D746,184 S * 12/2015 Hanson D12/163
 D786,742 S * 5/2017 Ito D12/163
 D787,384 S 5/2017 Ito et al.
 D790,410 S * 6/2017 Ito D12/163
 D795,761 S 8/2017 Ito et al.
 D803,101 S 11/2017 Ito et al.
 2002/0011740 A1 * 1/2002 Garberg B60R 19/52
 296/115
 2009/0085361 A1 * 4/2009 Rosen B60R 13/04
 293/120
 2009/0184493 A1 7/2009 Eifert et al.
 2013/0025954 A1 * 1/2013 Miller B62D 25/10
 180/69.21

OTHER PUBLICATIONS

“AeroCab,” Kenworth Truck Company, Kirkland, Washington, as early as 1995, 3-page brochure.

“AG130 Front Air Suspension,” Kenworth Truck Company, Kirkland, Washington, 2008, 2-page brochure.
 “Kenworth Truck Models,” Kenworth Truck Company, Kirkland, Washington, 2010, 16-page brochure.
 “T170 Class 5,” Kenworth Truck Company, Kirkland, Washington, 2008, 4-page brochure.
 “T300,” Kenworth Truck Company, Kirkland, Washington, 1994, 4-page brochure.
 “T300,” Kenworth Truck Company, Kirkland, Washington, 2001, 16-page brochure.
 “T400B and T450B,” Kenworth Truck Company, Kirkland, Washington, 1992, 10-page brochure.
 “T600: Ten Years of Innovation,” Kenworth Truck Company, Kirkland, Washington, 1995, 6-page brochure.
 “T660,” Kenworth Truck Company, Kirkland, Washington, 2007, 36-page brochure.
 “T660,” Kenworth Truck Company, Kirkland, Washington, 2009, 36-page brochure.
 “T700,” Kenworth Truck Company, Kirkland, Washington, 2010, 6-page brochure.
 “T2000,” Kenworth Truck Company, Kirkland, Washington, 1999, 20-page brochure.
 “T2000,” Kenworth Truck Company, Kirkland, Washington, 2002, 20-page brochure.
 “T2000,” Kenworth Truck Company, Kirkland, Washington, 2005, 20-page brochure.
 “The World’s Best,” Kenworth Truck Company, Kirkland, Washington, 1992, 12-page brochure.

* cited by examiner

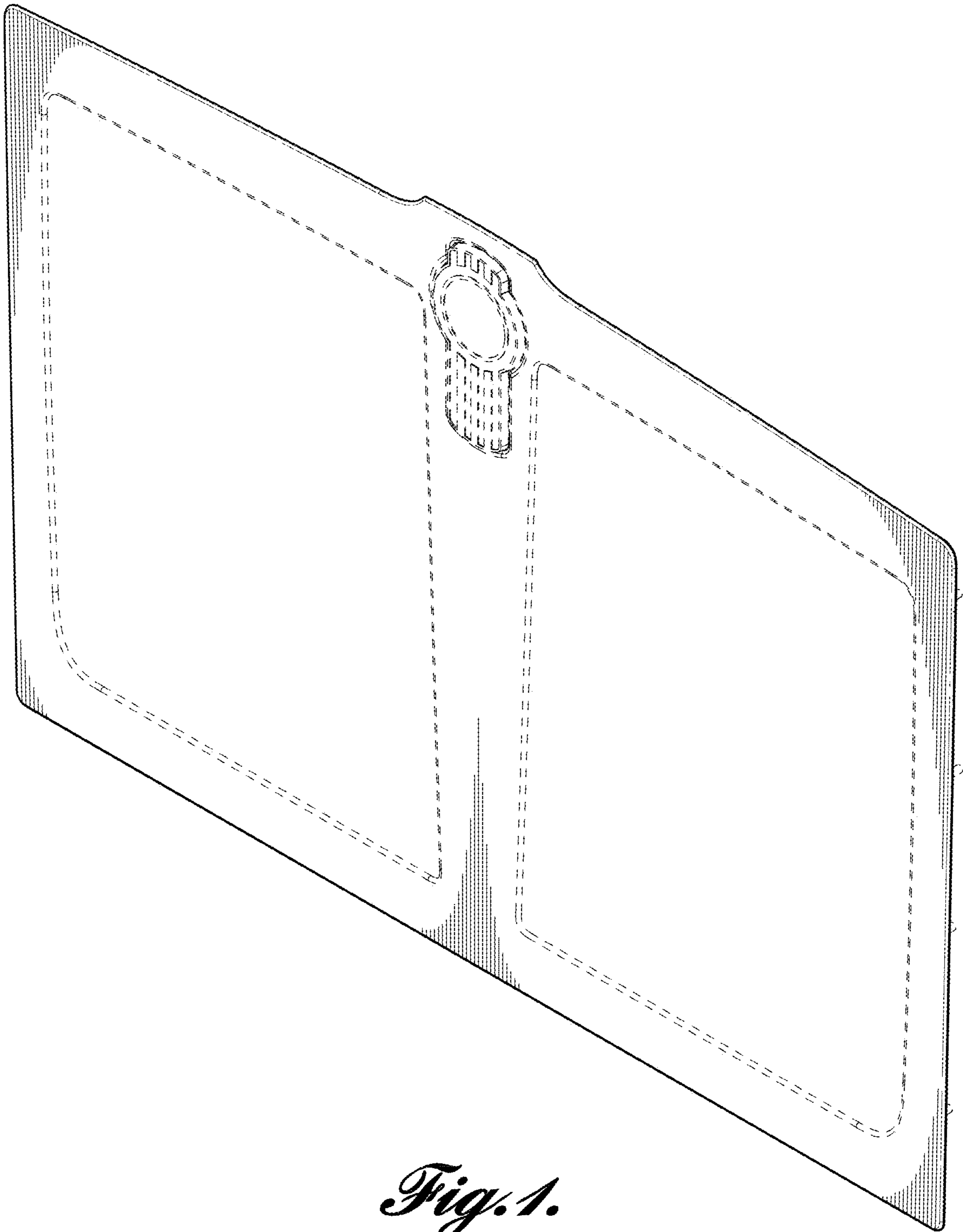


Fig. 1.

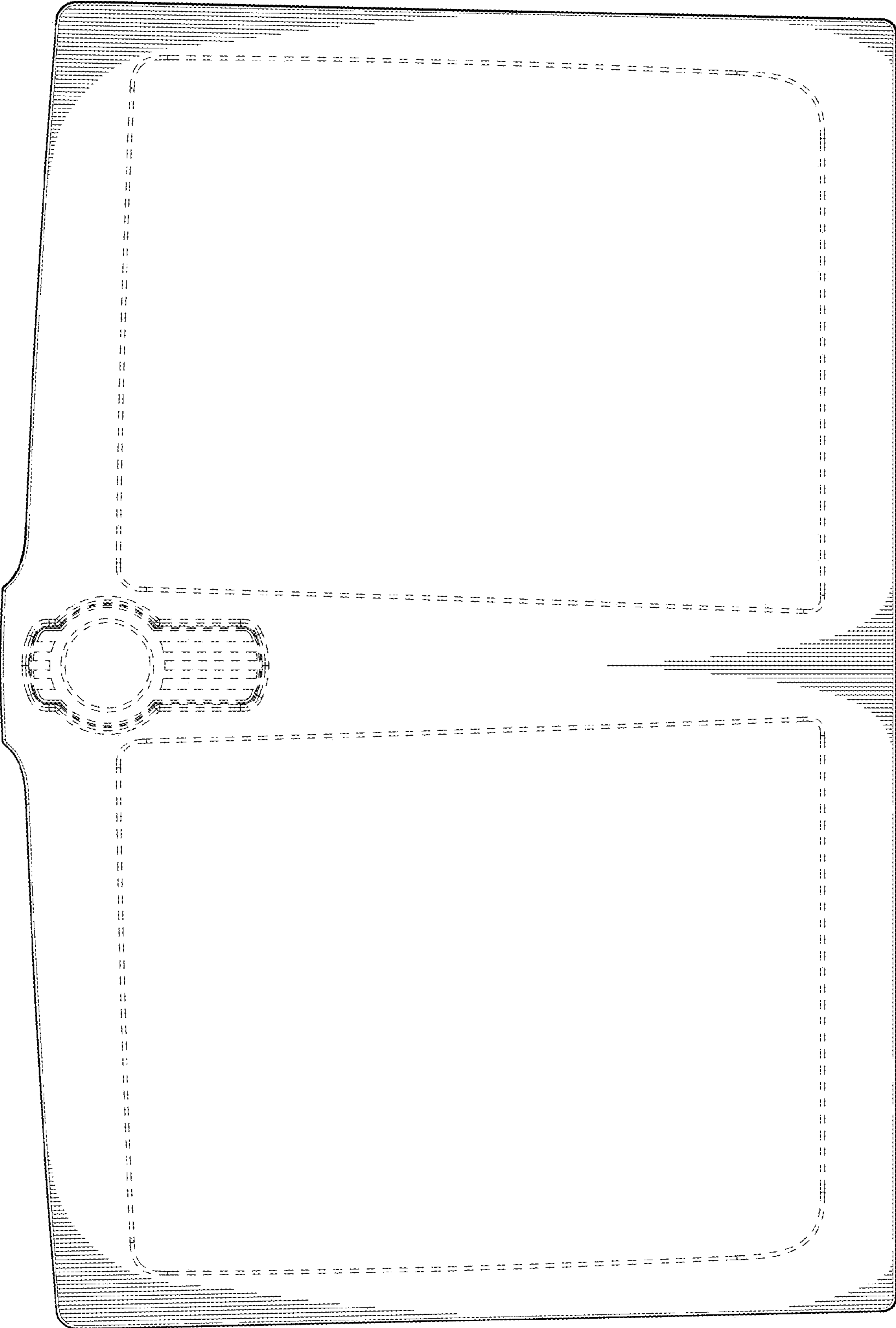


Fig. 2.

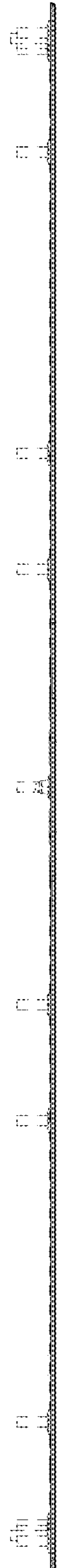


Fig. 3.

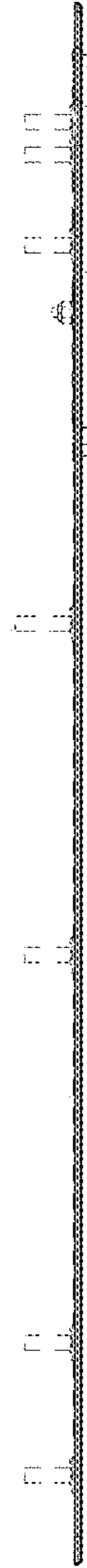


Fig. 4.