



US00D885257S

(12) **United States Design Patent**
Churchill et al.

(10) **Patent No.:** **US D885,257 S**

(45) **Date of Patent:** **** *May 26, 2020**

(54) **AUTOMOBILE**

CPC B62D 25/00; B62D 25/06; B62D 33/00;
B62D 35/00

(71) Applicant: **Chongqing Jinkang New Energy Automobile Co., Ltd.**, Chongqing (CN)

See application file for complete search history.

(72) Inventors: **Michael John Evans Churchill**, Santa Clara, CA (US); **Ricardo Salinas**, Santa Clara, CA (US); **Yang Sun**, Santa Clara, CA (US); **Mark Clarke**, Santa Clara, CA (US); **Adriano Raeli**, Santa Clara, CA (US); **Eric Obers**, Santa Clara, CA (US)

(56) **References Cited**

U.S. PATENT DOCUMENTS

D547,239 S *	7/2007	Murakawa	D12/92
D574,754 S *	8/2008	Miniati	D12/92
D797,606 S *	9/2017	Oh	D12/92
D808,302 S *	1/2018	Oh	D12/92
D817,815 S *	5/2018	Hubers	D12/91
D821,923 S *	7/2018	Lee	D12/92

* cited by examiner

(73) Assignee: **CHONGQING JINKANG NEW ENERGY AUTOMOBILE CO., LTD.**, Chongqing (CN)

Primary Examiner — Melody N Brown

(74) *Attorney, Agent, or Firm* — Kilpatrick Townsend & Stockton LLP

(*) Notice: This patent is subject to a terminal disclaimer.

(57) **CLAIM**

The ornamental design of an automobile, as shown and described.

(**) Term: **15 Years**

DESCRIPTION

(21) Appl. No.: **29/664,543**

FIG. 1 is a perspective view of an automobile, showing our new design;

(22) Filed: **Sep. 26, 2018**

FIG. 2 is a top plan view thereof;

(30) **Foreign Application Priority Data**

Mar. 26, 2018 (CN) 2018 3 0114417

FIG. 3 is a bottom plan view thereof;

(51) **LOC (12) Cl.** **12-08**

FIG. 4 is a front elevation view thereof;

(52) **U.S. Cl.**

USPC **D12/91**

FIG. 5 is a rear elevation view thereof;

FIG. 6 is a left side elevation view thereof; and,

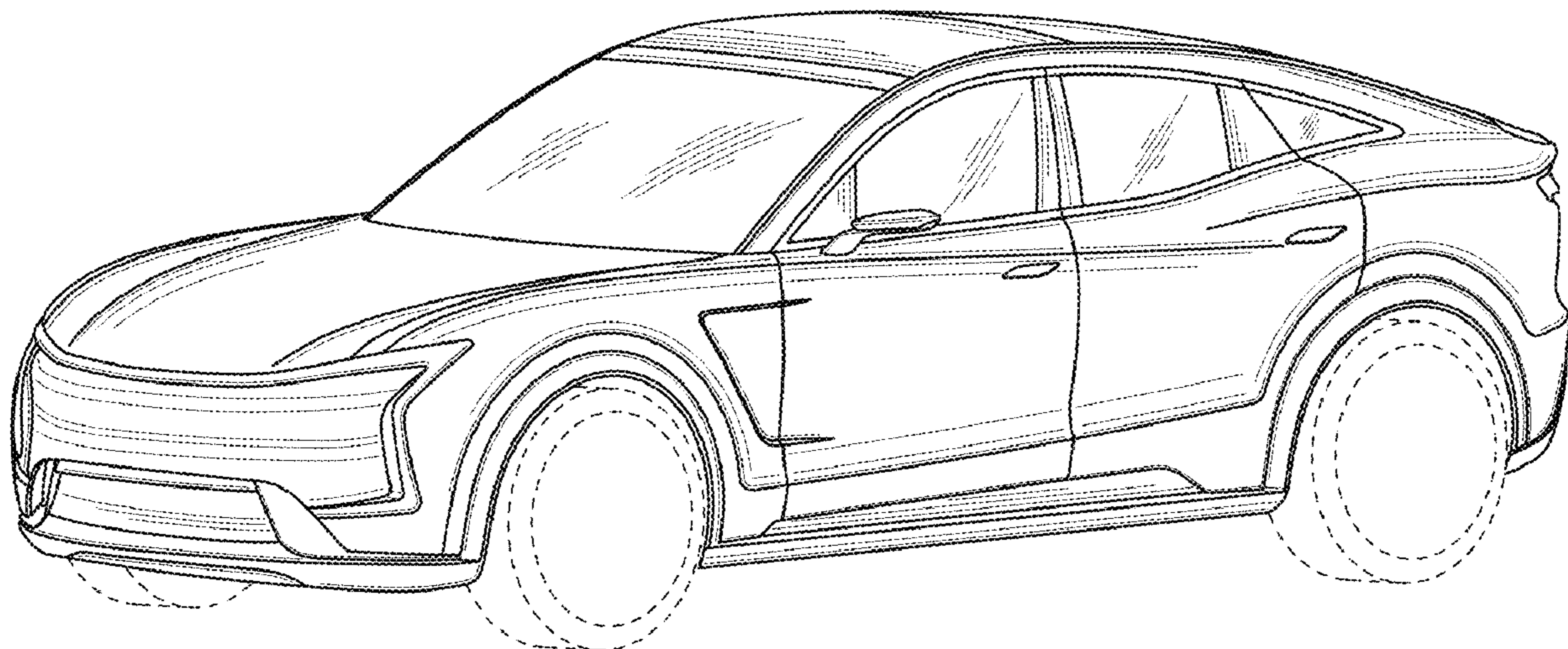
FIG. 7 is a right side elevation view thereof.

(58) **Field of Classification Search**

USPC D12/86, 90-92; D21/424, 433, 434, 533;
296/181.1-181.5, 183.1

The broken lines shown throughout the drawing views are for illustrative and environmental purposes and form no part of the claimed design.

1 Claim, 6 Drawing Sheets



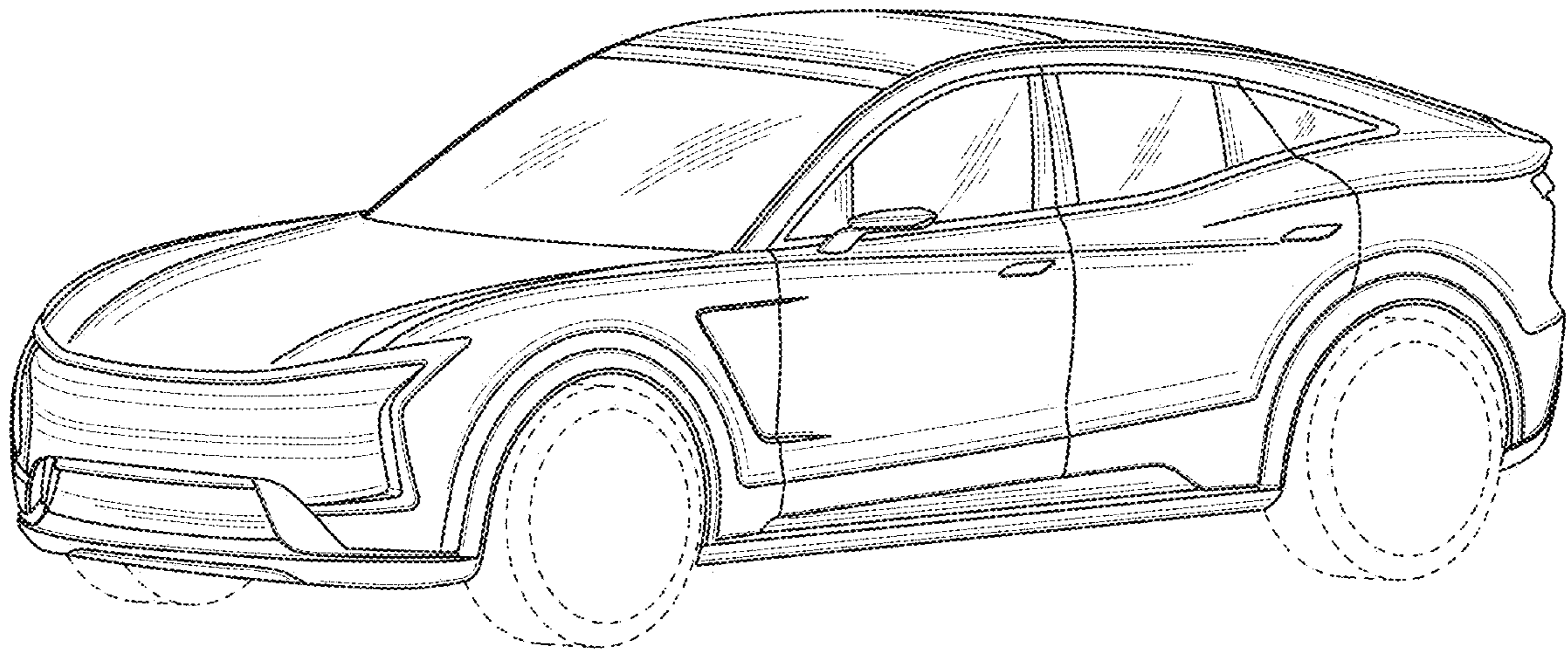


FIG. 1

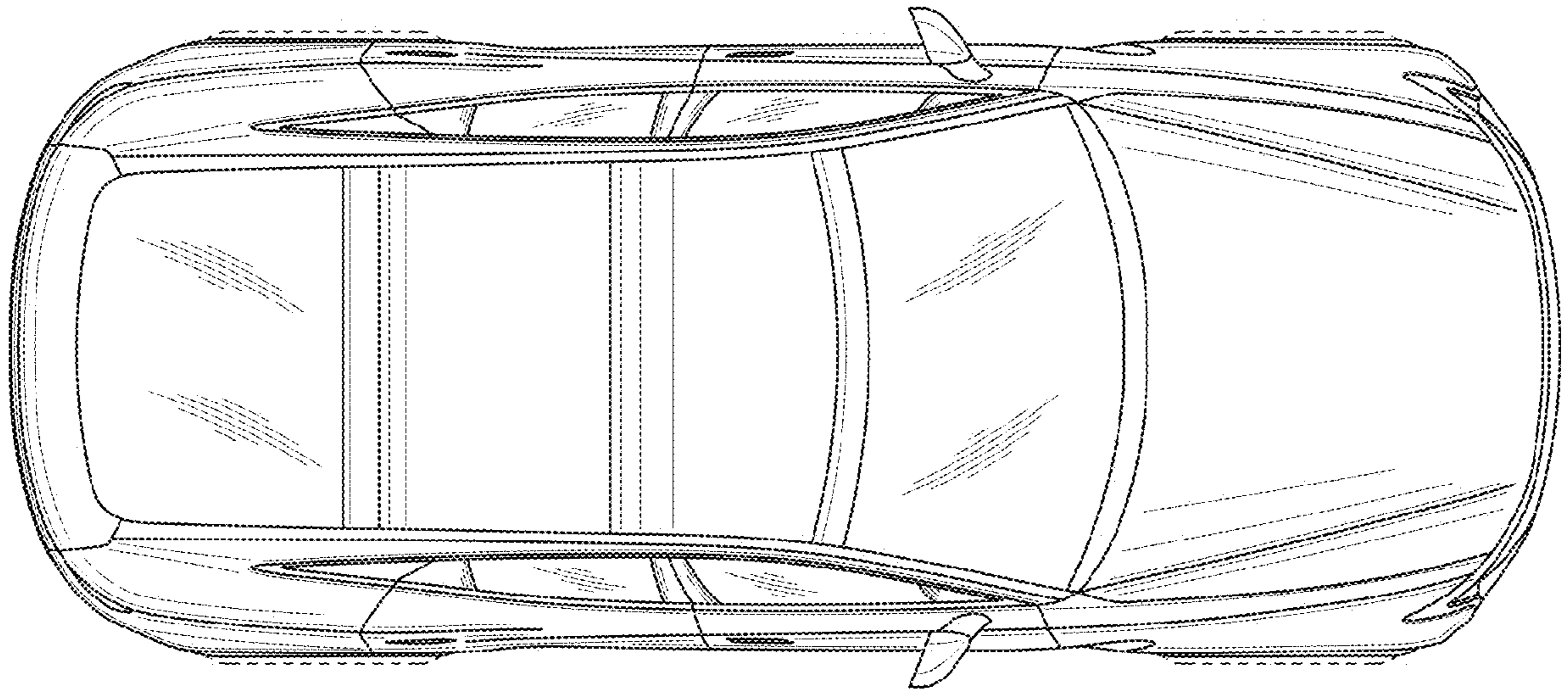


FIG. 2

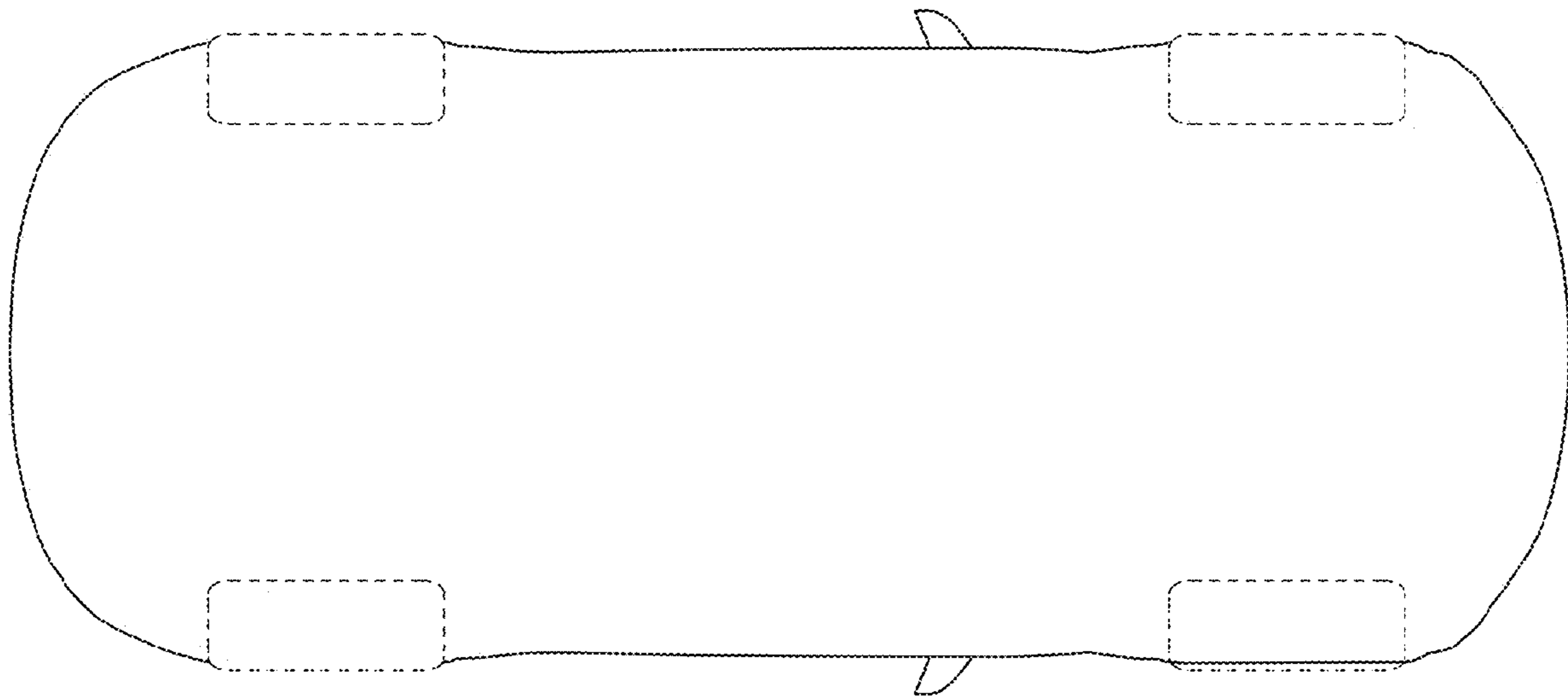


FIG. 3

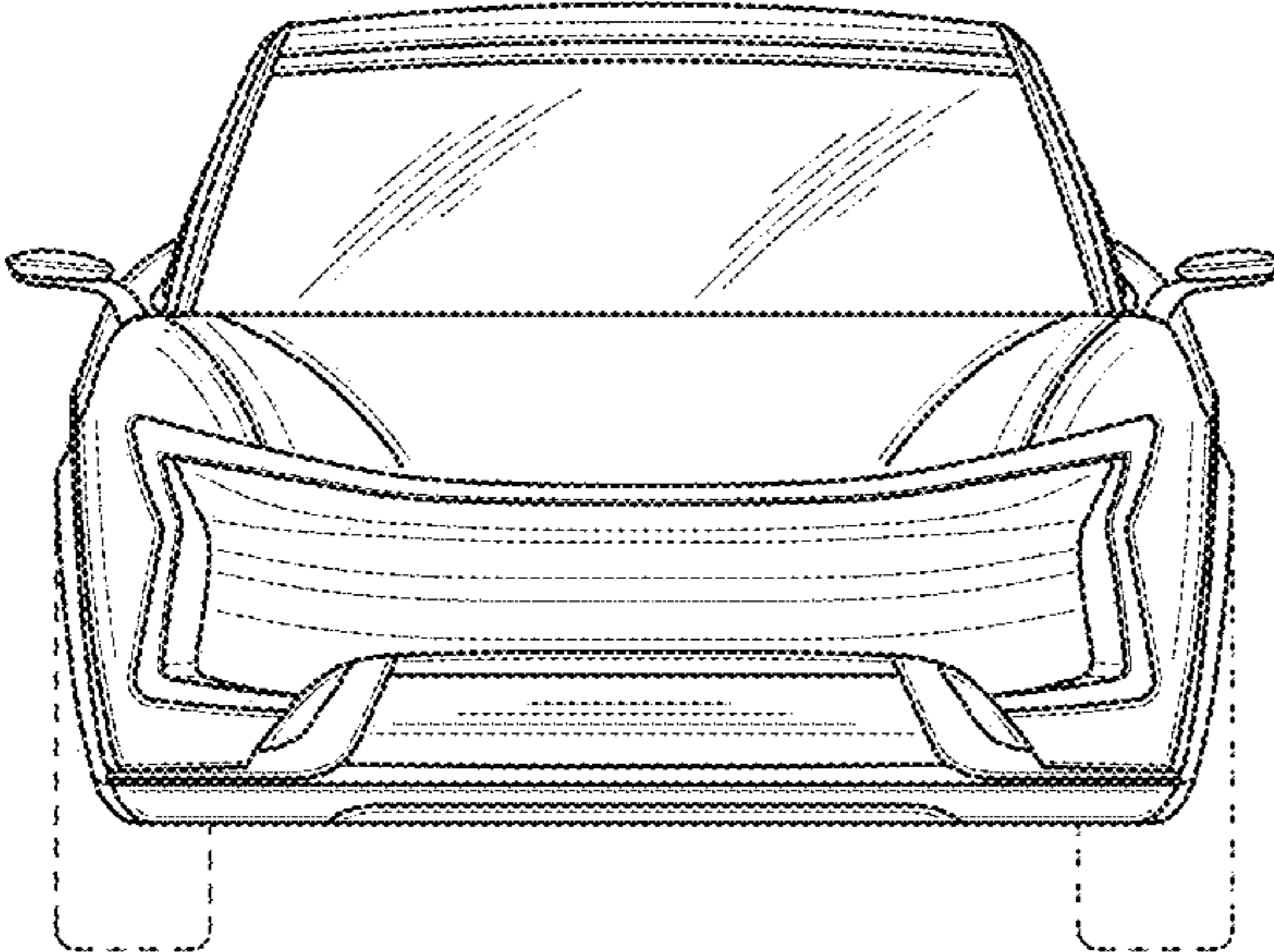


FIG. 4

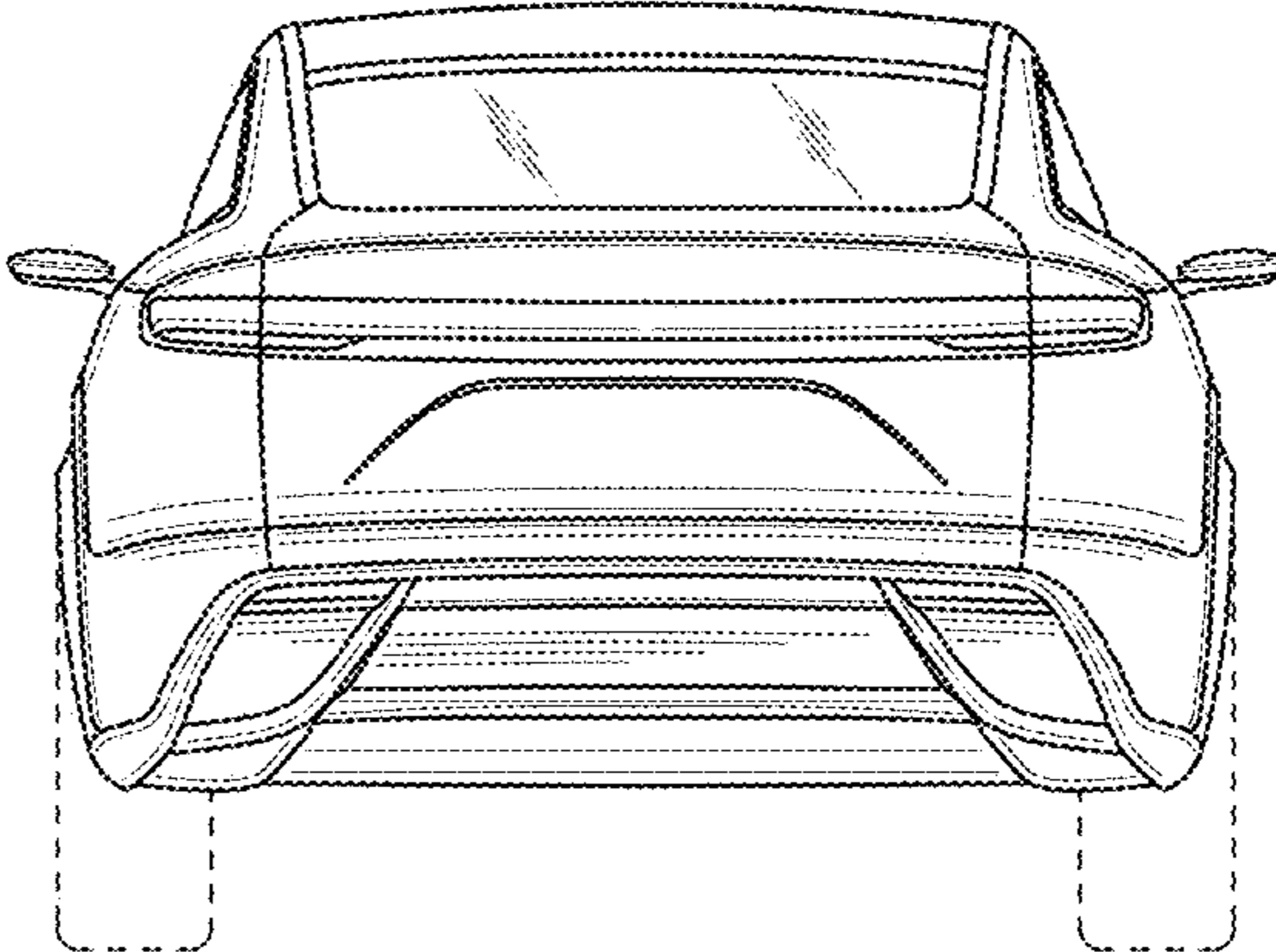


FIG. 5

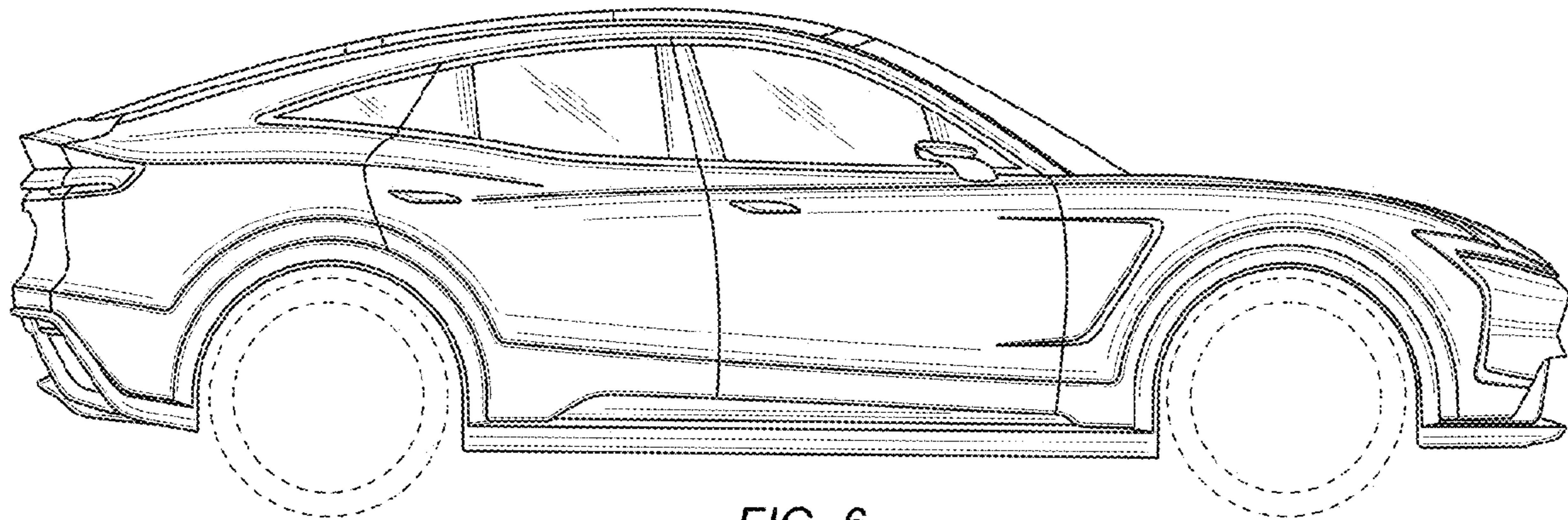


FIG. 6

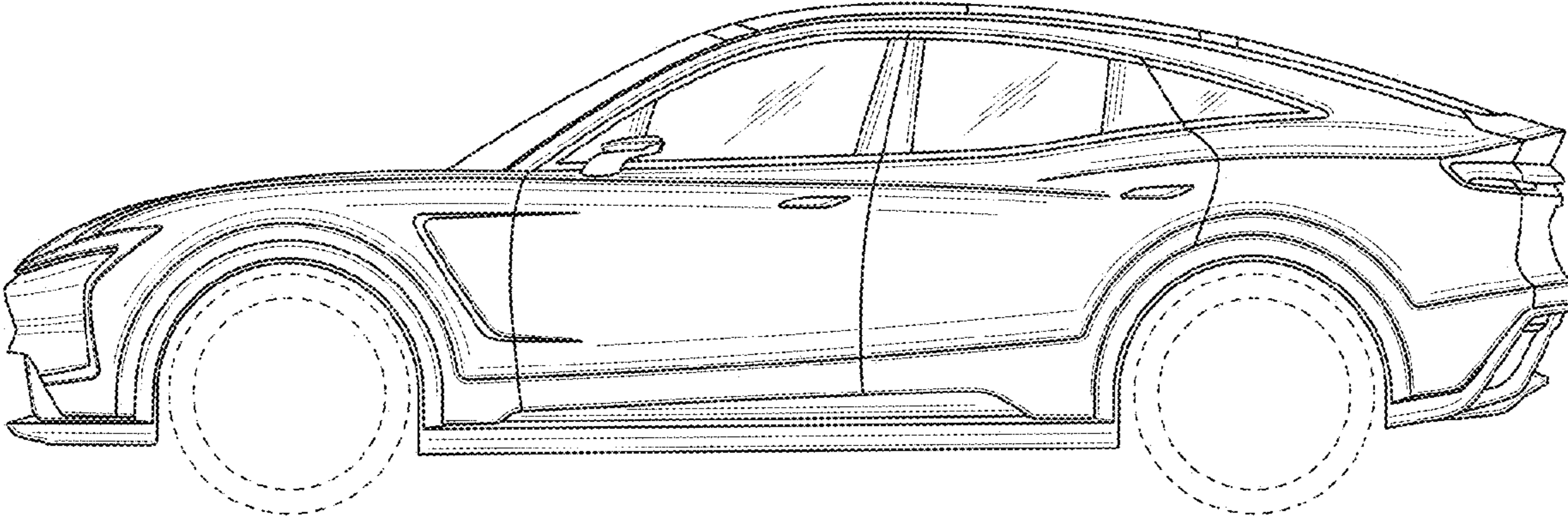


FIG. 7