



US00D885256S

(12) **United States Design Patent** (10) **Patent No.:** **US D885,256 S**
Manzoni (45) **Date of Patent:** **** May 26, 2020**

(54) **CAR**

(71) Applicant: **FERRARI S.P.A.**, Modena (IT)

(72) Inventor: **Flavio Manzoni**, Maranello (IT)

(73) Assignee: **FERRARI S.P.A.**, Modena (IT)

(**) Term: **15 Years**

(21) Appl. No.: **35/506,533**

(22) Filed: **Jul. 26, 2018**

(80) **Hague Agreement Data**

Int. Filing Date: **Jul. 26, 2018**

Int. Reg. No.: **DM/200454**

Int. Reg. Date: **Jul. 26, 2018**

Int. Reg. Pub. Date: **Apr. 5, 2019**

(30) **Foreign Application Priority Data**

Jan. 26, 2018 (EM) 004681484

(51) **LOC (12) Cl.** **12-08**

(52) **U.S. Cl.**
USPC **D12/88**

(58) **Field of Classification Search**

USPC D12/82, 86, 88, 90-92, 93, 164, 169;
D21/421, 433-434

CPC B62D 35/00; B62D 35/005; B62D 35/007;
B62D 35/008

See application file for complete search history.

(56) **References Cited**

U.S. PATENT DOCUMENTS

D543,910 S *	6/2007	Grant	D12/169
9,744,700 B2 *	8/2017	Syvret	B29C 43/50
D801,871 S *	11/2017	Manzoni	D12/92
D810,637 S *	2/2018	Wheel	D12/169
D830,901 S *	10/2018	Manzoni	D12/88
D834,469 S *	11/2018	Manzoni	D12/164
D842,787 S *	3/2019	Manzoni	D12/196
D854,982 S *	7/2019	Horie	D12/169
D854,983 S *	7/2019	Katou	D12/169
D860,859 S *	9/2019	Manzoni	D12/88
D860,861 S *	9/2019	Manzoni	D12/88
D860,893 S *	9/2019	Manzoni	D12/196

* cited by examiner

Primary Examiner — Michael A. Pratt

(74) *Attorney, Agent, or Firm* — Cowan, Liebowitz & Latman, P.C.; Anastasia Zhadina, Esq.

(57) **CLAIM**

The ornamental design for a car, as shown and described.

DESCRIPTION

1. Car

1.1 : Front perspective view

1.2 : Rear perspective view

1.3 : Front view

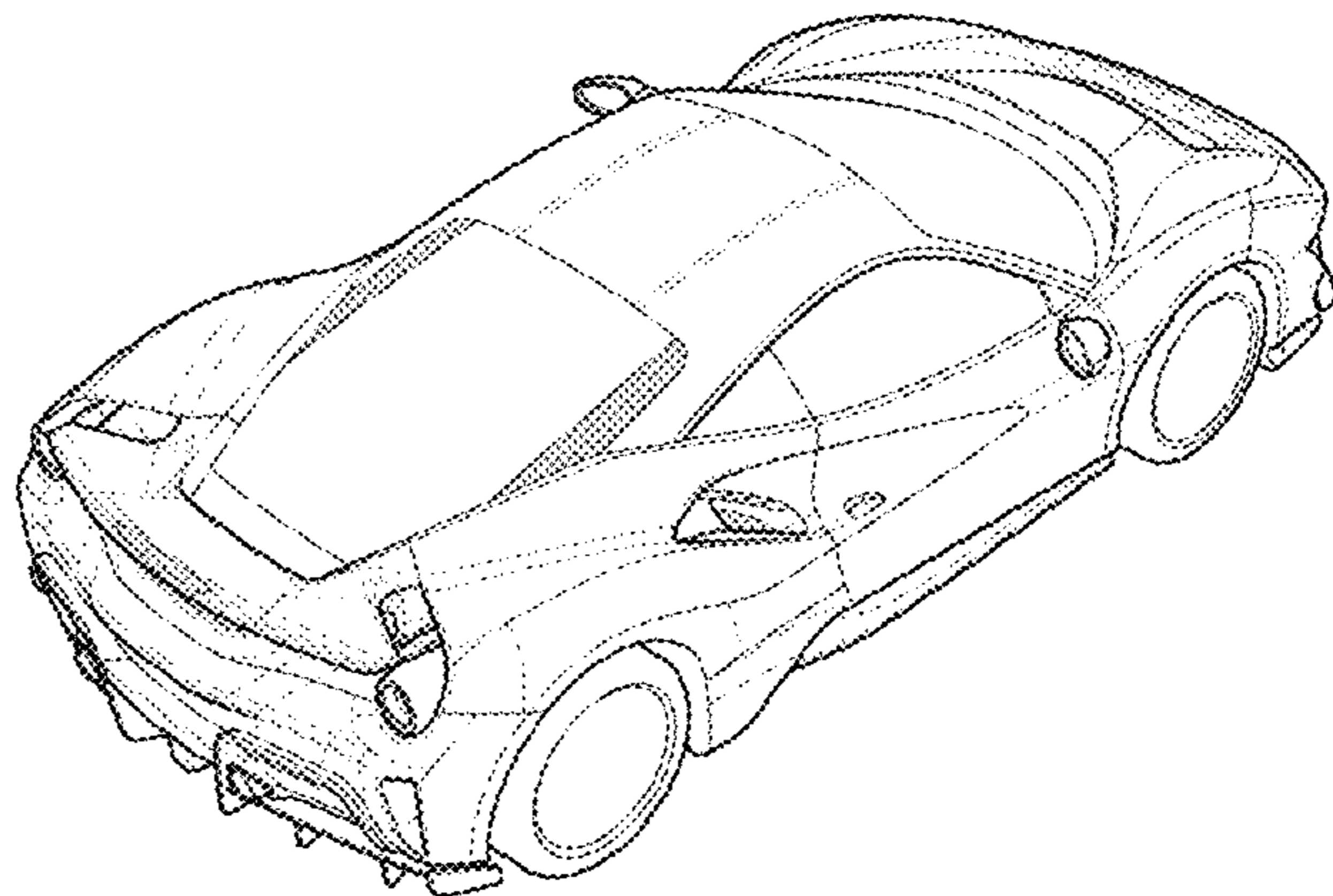
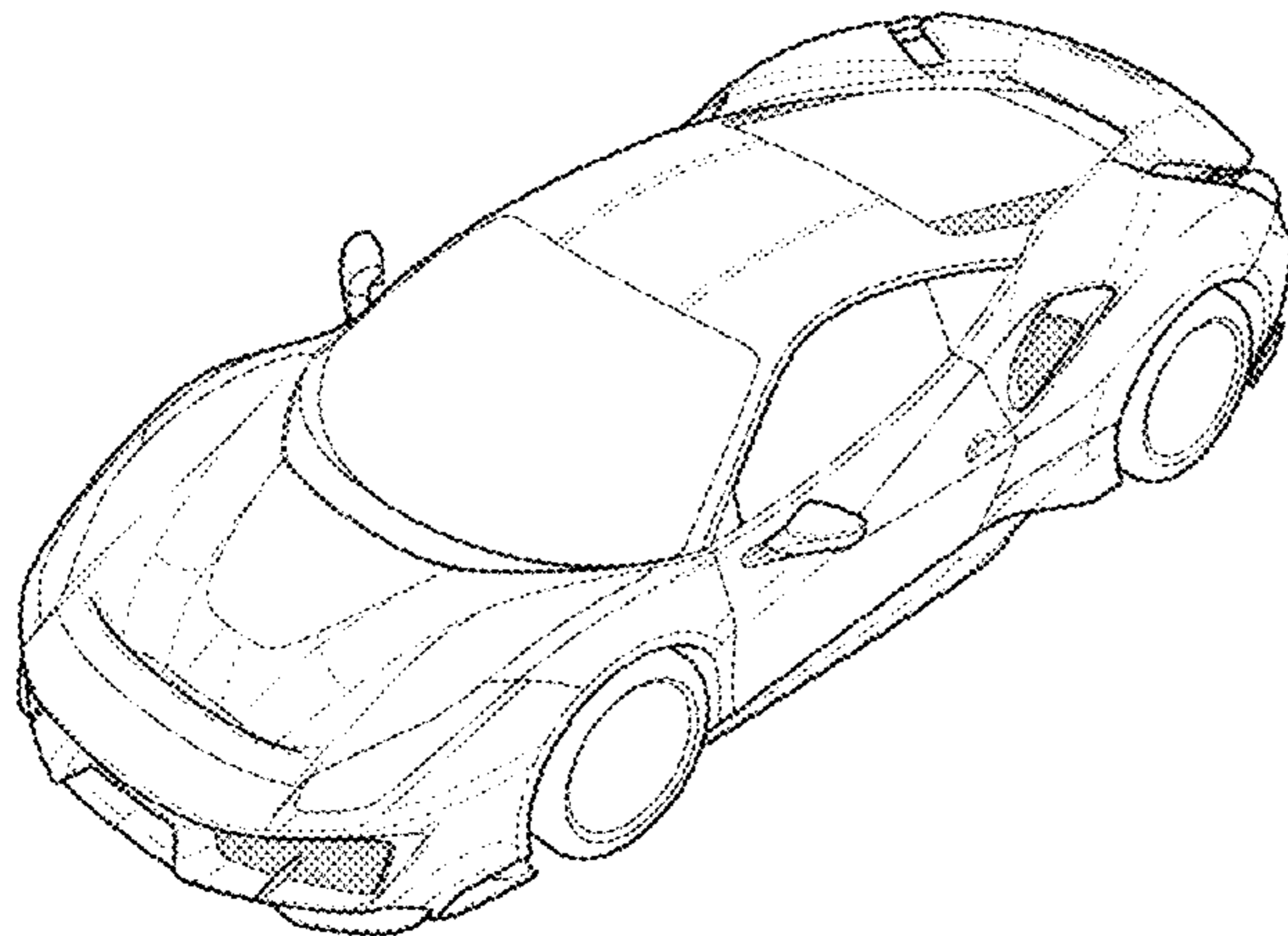
1.4 : Rear view

1.5 : Side view

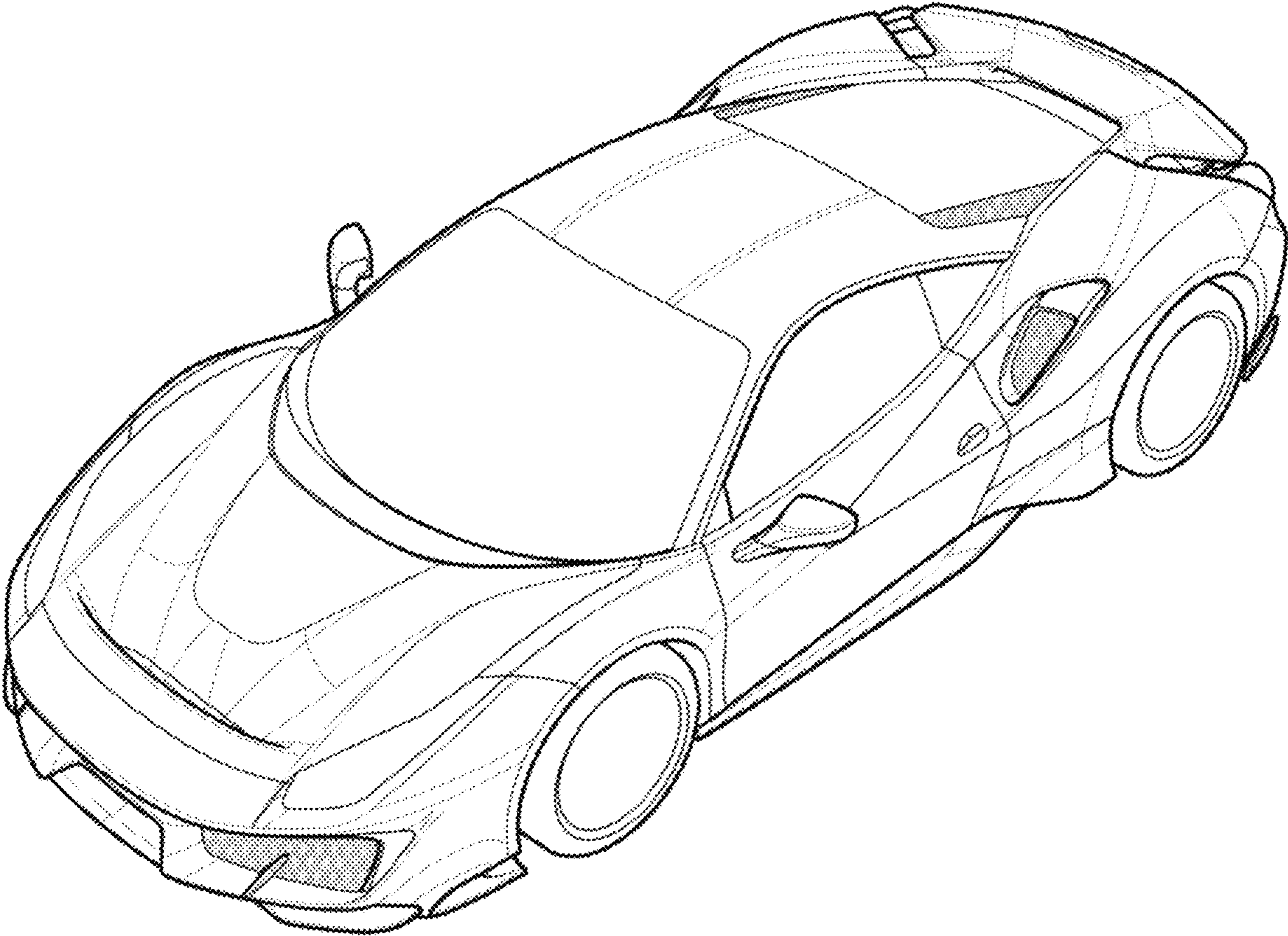
1.6 : Top view

The broken lines shown are for the purpose of illustrating portions that form no part of the claimed designs.

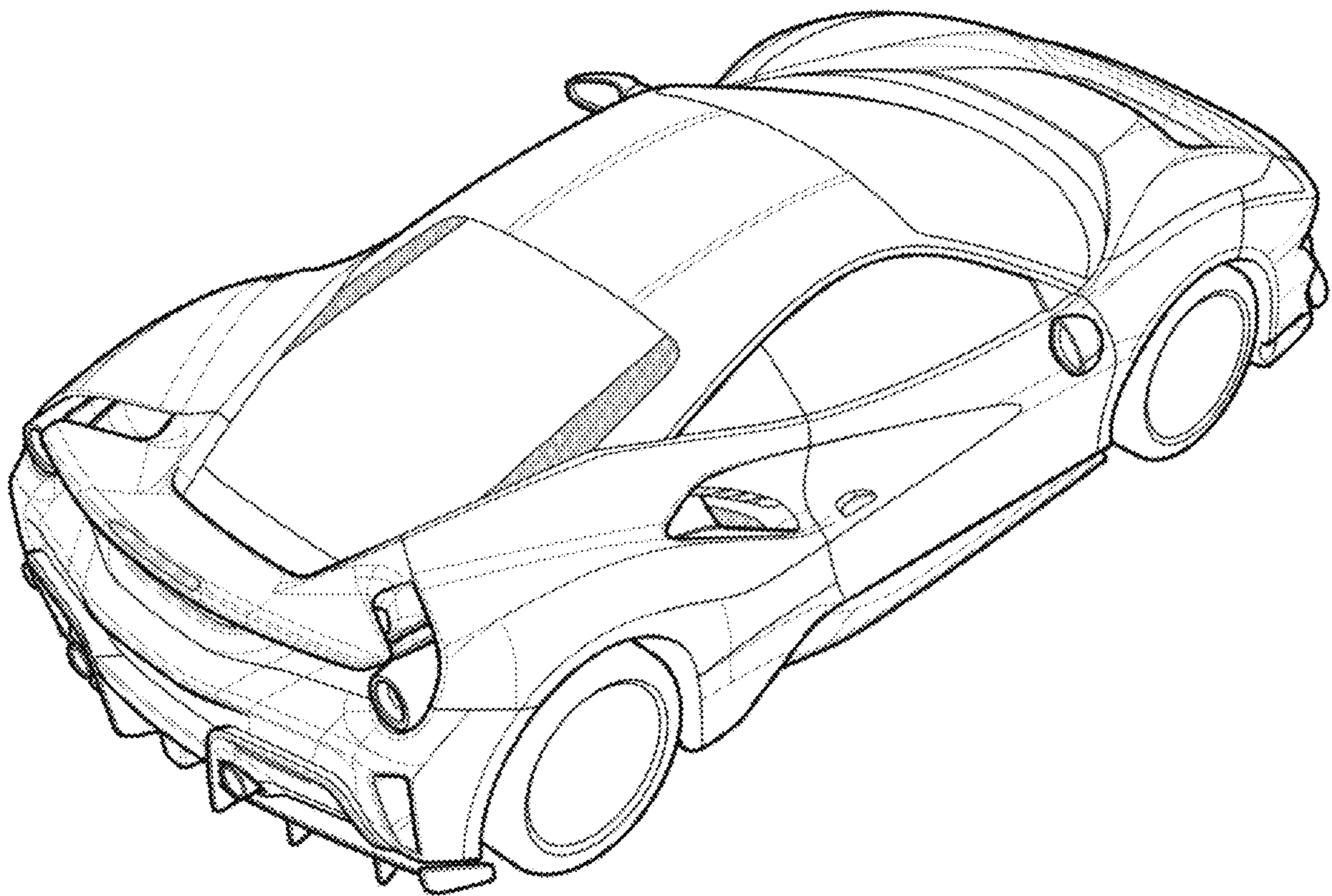
1 Claim, 6 Drawing Sheets



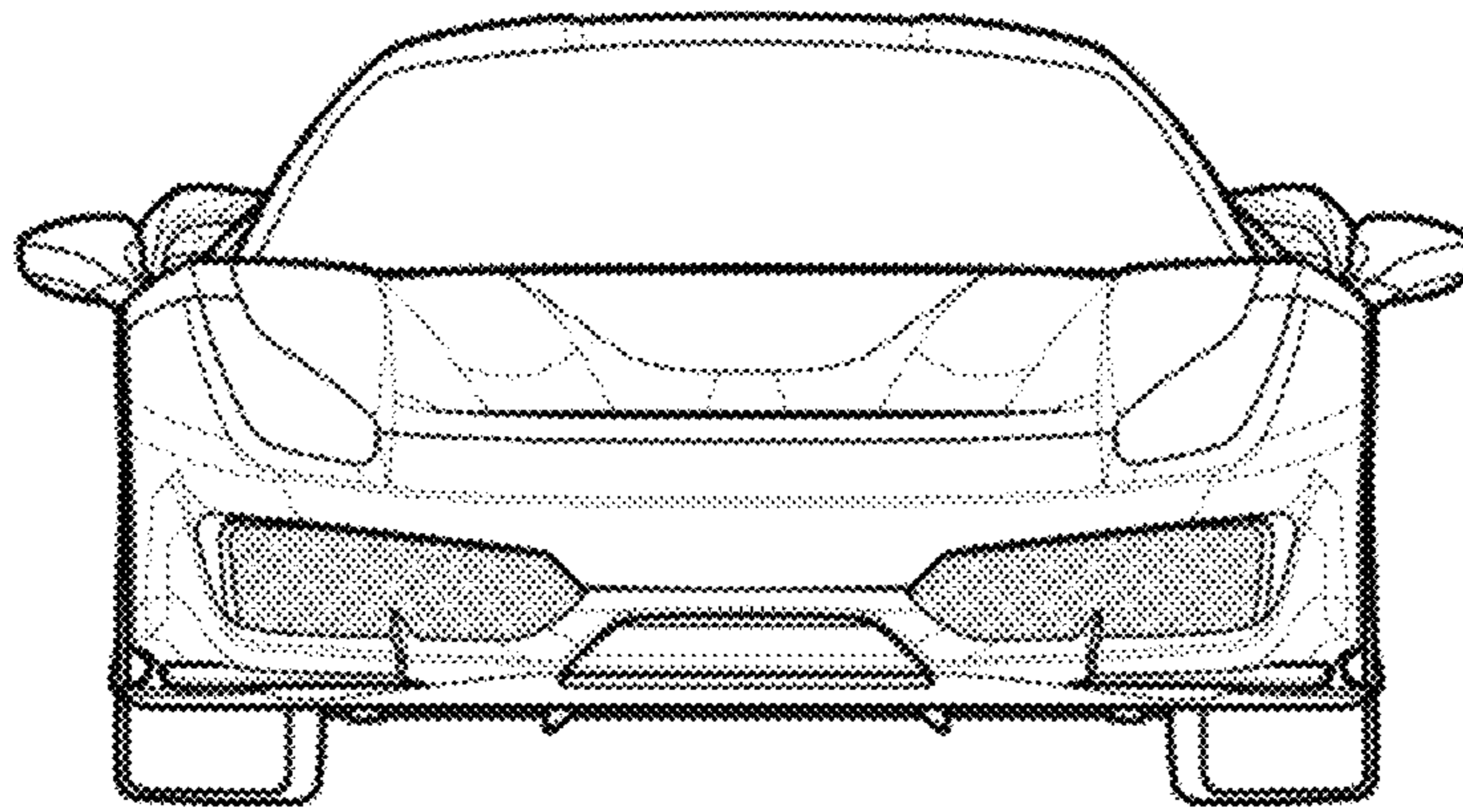
1.1



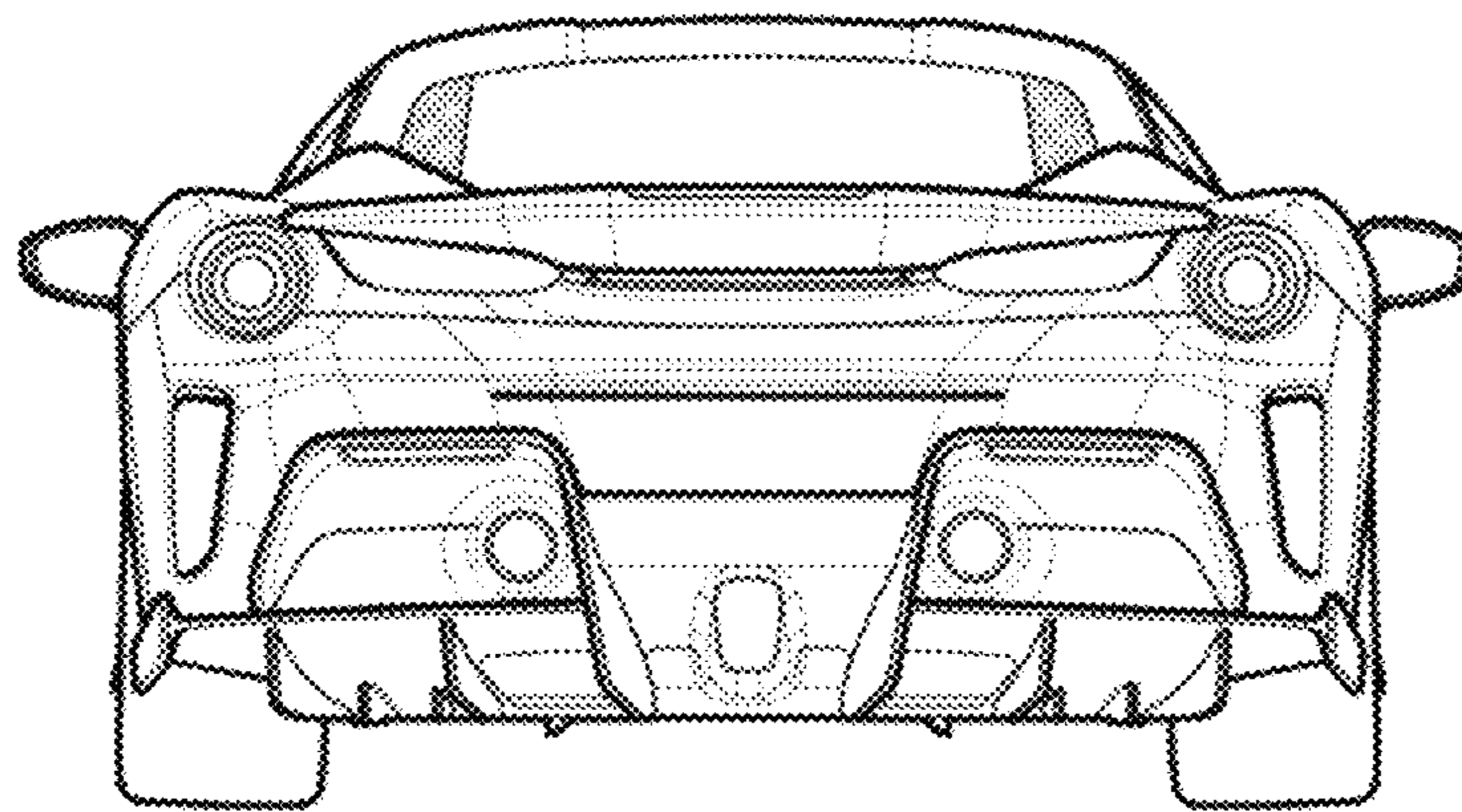
1.2



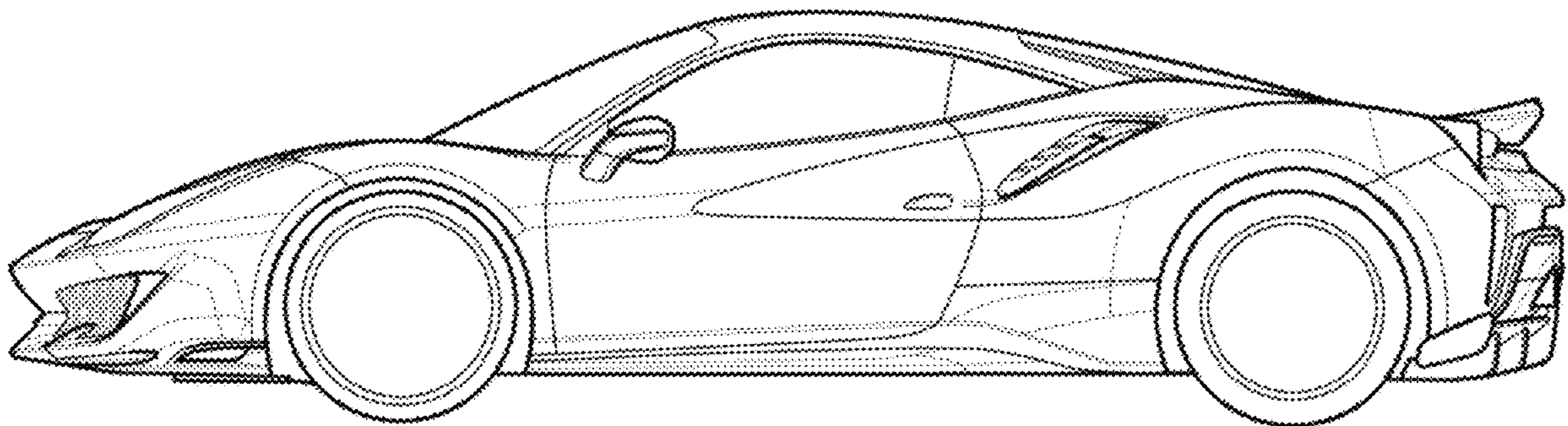
1.3



1.4



1.5



1.6

