



US00D885255S

(12) **United States Design Patent** (10) **Patent No.:** **US D885,255 S**
Janin (45) **Date of Patent:** **** May 26, 2020**

(54) **MOTOR VEHICLE**

(71) Applicant: **RENAULT SAS**, Boulogne Billancourt (FR)

(72) Inventor: **Stephane Janin**, Boulogne Billancourt (FR)

(73) Assignee: **RENAULT SAS**, Boulogne Billancourt (FR)

(**) Term: **15 Years**

(21) Appl. No.: **35/506,338**

(22) Filed: **Jul. 24, 2018**

(80) **Hague Agreement Data**

Int. Filing Date: **Jul. 24, 2018**

Int. Reg. No.: **DM/102368**

Int. Reg. Date: **Jul. 24, 2018**

Int. Reg. Pub. Date: **Jan. 25, 2019**

(51) **LOC (12) Cl.** **12-08**

(52) **U.S. Cl.**
USPC **D12/86**

(58) **Field of Classification Search**
USPC D12/86, 90, 91, 92, 98; D21/424, 433, D21/434
CPC B62D 25/00; B62D 25/06; B62D 33/00; B62D 35/00
See application file for complete search history.

(56) **References Cited**

U.S. PATENT DOCUMENTS

D621,750 S * 8/2010 Majdandzic D12/92
D626,033 S * 10/2010 Browne D12/86
D668,581 S * 10/2012 Kim D12/86

D671,452 S * 11/2012 Fernandez Isoird D12/86
D684,502 S * 6/2013 Kim D12/91
D684,897 S * 6/2013 Kim D12/92
D691,921 S * 10/2013 Kasamatsu D12/86
D754,564 S * 4/2016 Bouzige D12/91
D774,948 S * 12/2016 Abbes D12/92
D778,785 S * 2/2017 Hirokawa D12/86
D789,250 S * 6/2017 Arnold D12/86
D832,742 S * 11/2018 Fisker D12/86
D835,000 S * 12/2018 Tomasson D12/91
10,160,301 B2 * 12/2018 Perlo B60K 1/00
D839,784 S * 2/2019 Sugawara D12/86
D846,447 S * 4/2019 Janin D12/90
D860,862 S * 9/2019 Janin D12/90

* cited by examiner

Primary Examiner — Darlington Ly
(74) *Attorney, Agent, or Firm* — Oblon, McClelland, Maier & Neustadt, L.L.P.

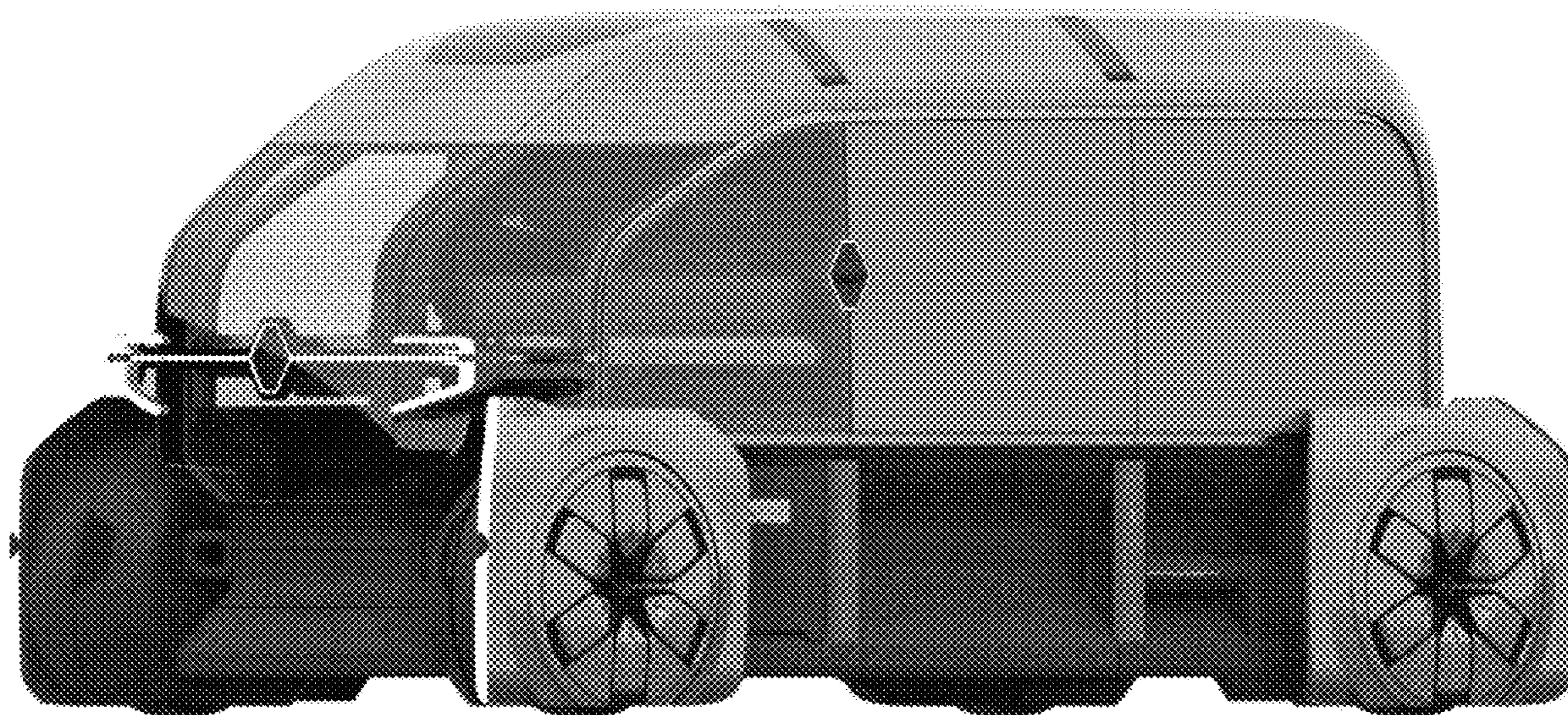
(57) **CLAIM**

The ornamental design for a motor vehicle, as shown and described.

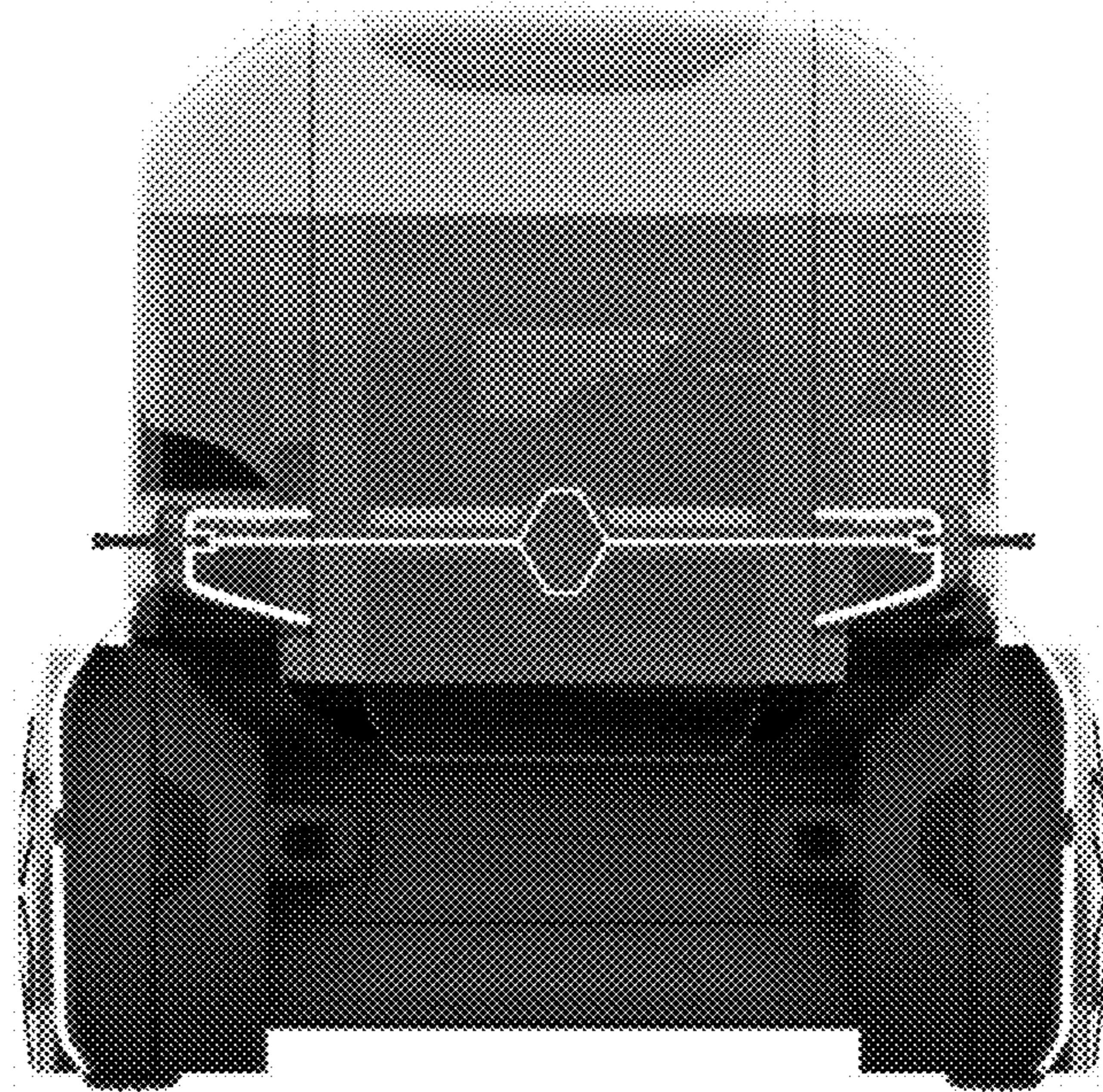
DESCRIPTION

1. Motor vehicle
1.1 is a front elevation view of a motor vehicle showing my new design;
1.2 is a rear elevation view thereof;
1.3 is a right side elevation view thereof;
1.4 is a left side elevation view thereof;
1.5 is a front and left side perspective view thereof;
1.6 is a front and right side perspective view thereof;
1.7 is a rear and left side perspective view thereof;
1.8 is a rear and right side perspective view thereof;
1.9 is a bottom plan view thereof; and
1.10 is a top plan view thereof.

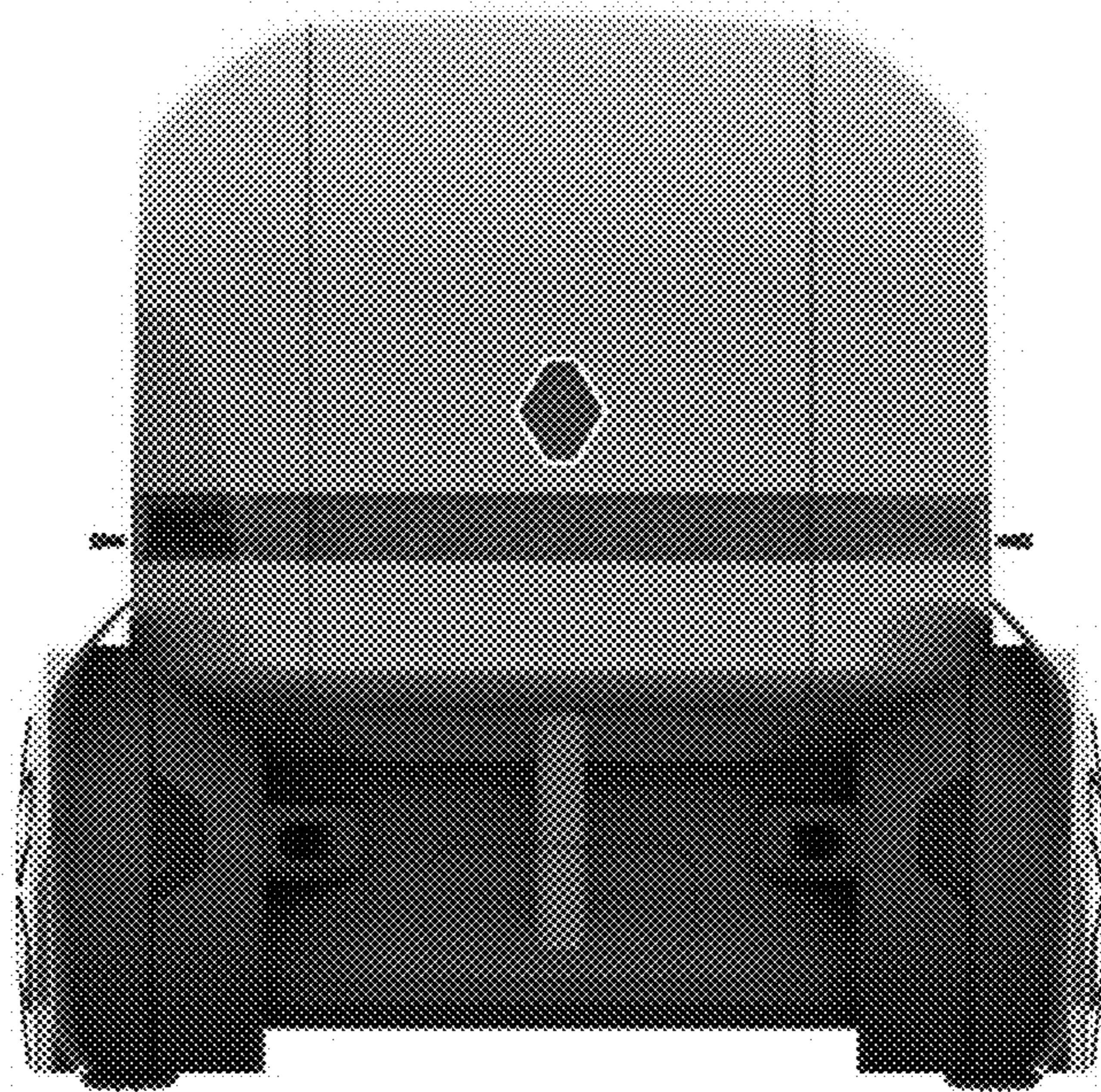
1 Claim, 10 Drawing Sheets



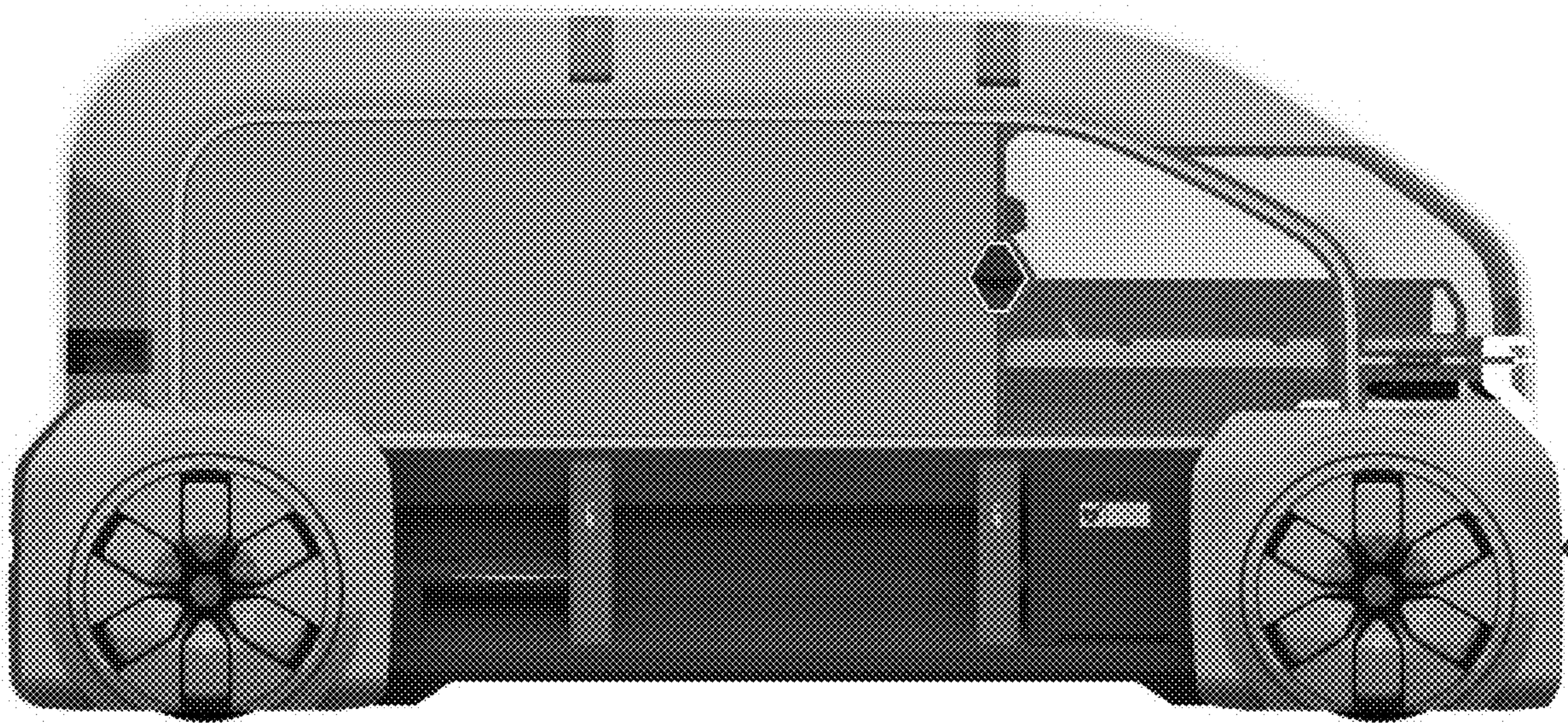
1.1



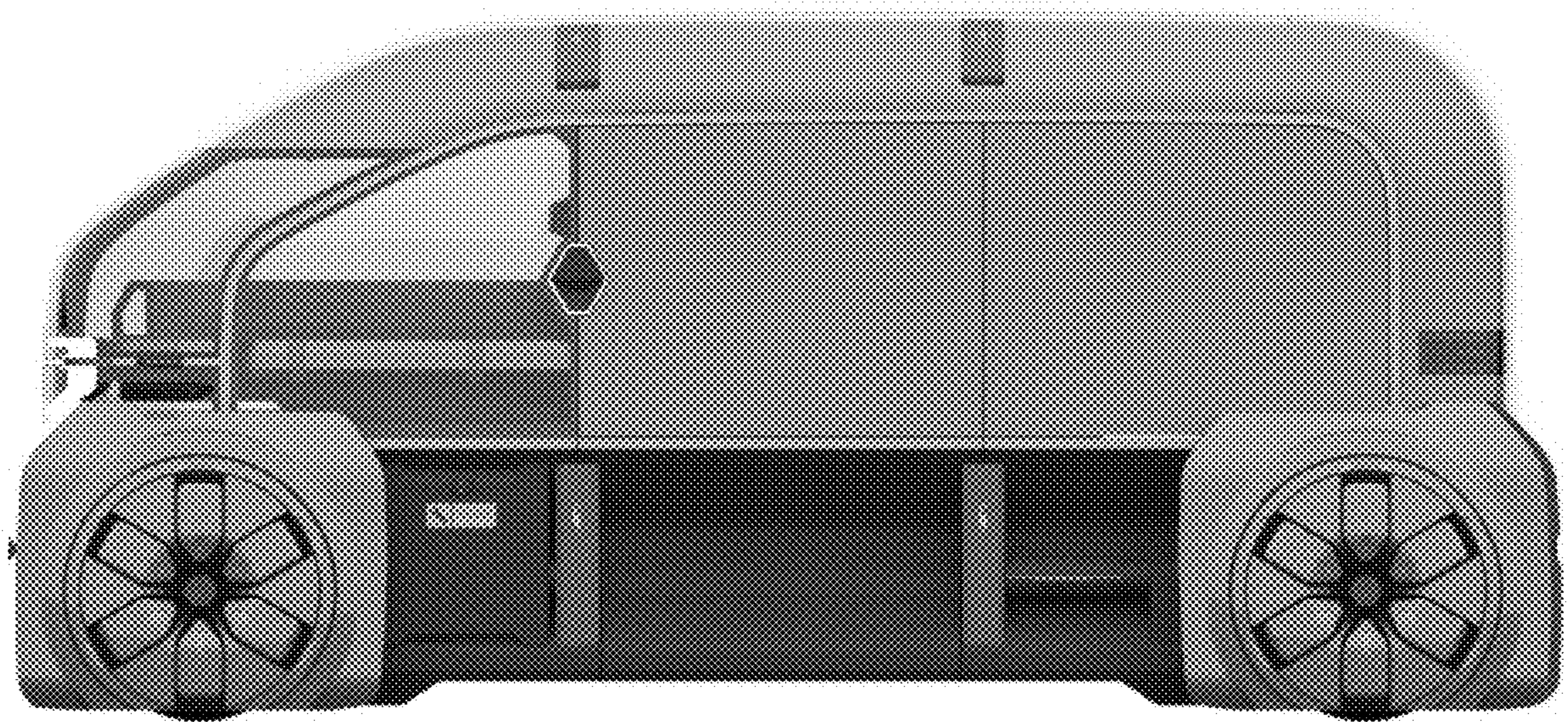
1.2



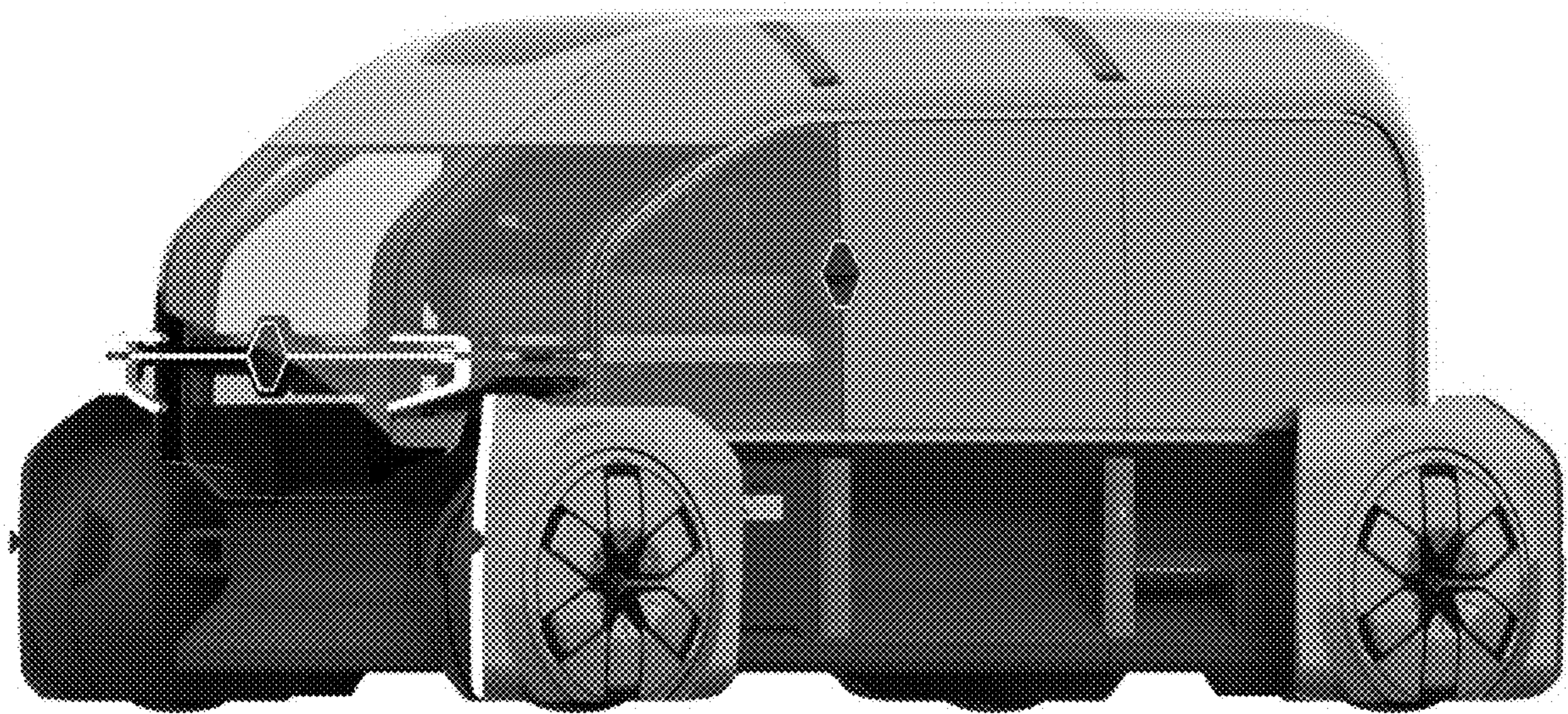
1.3



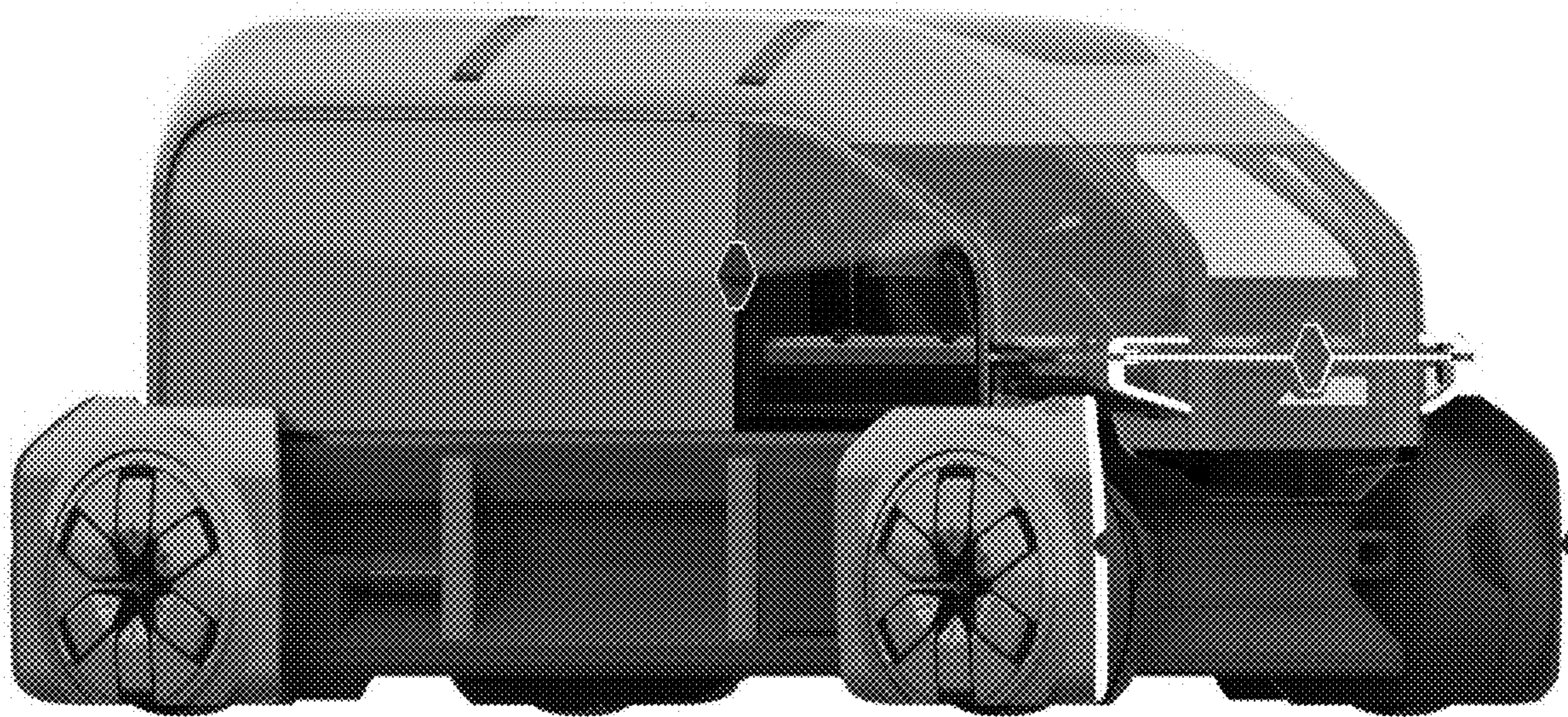
1.4



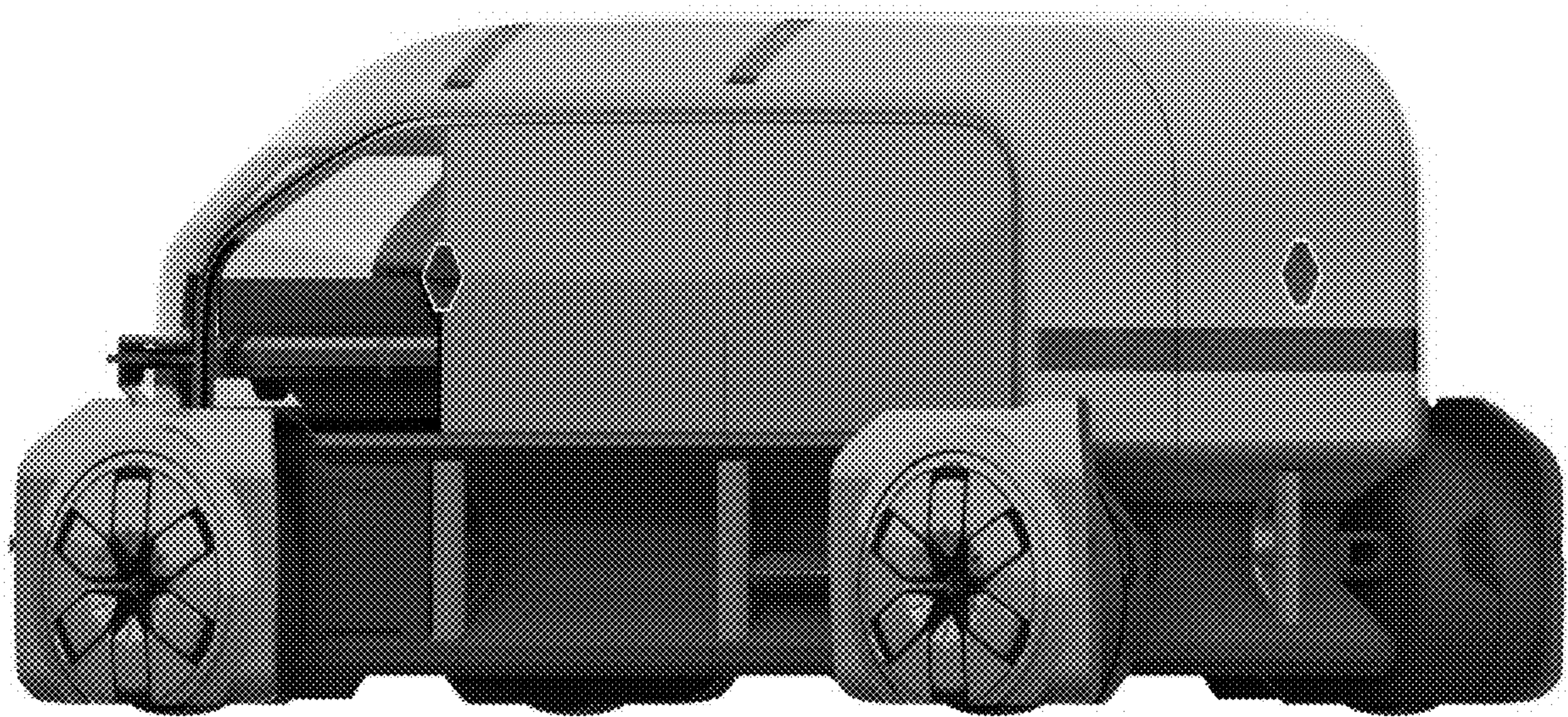
1.5



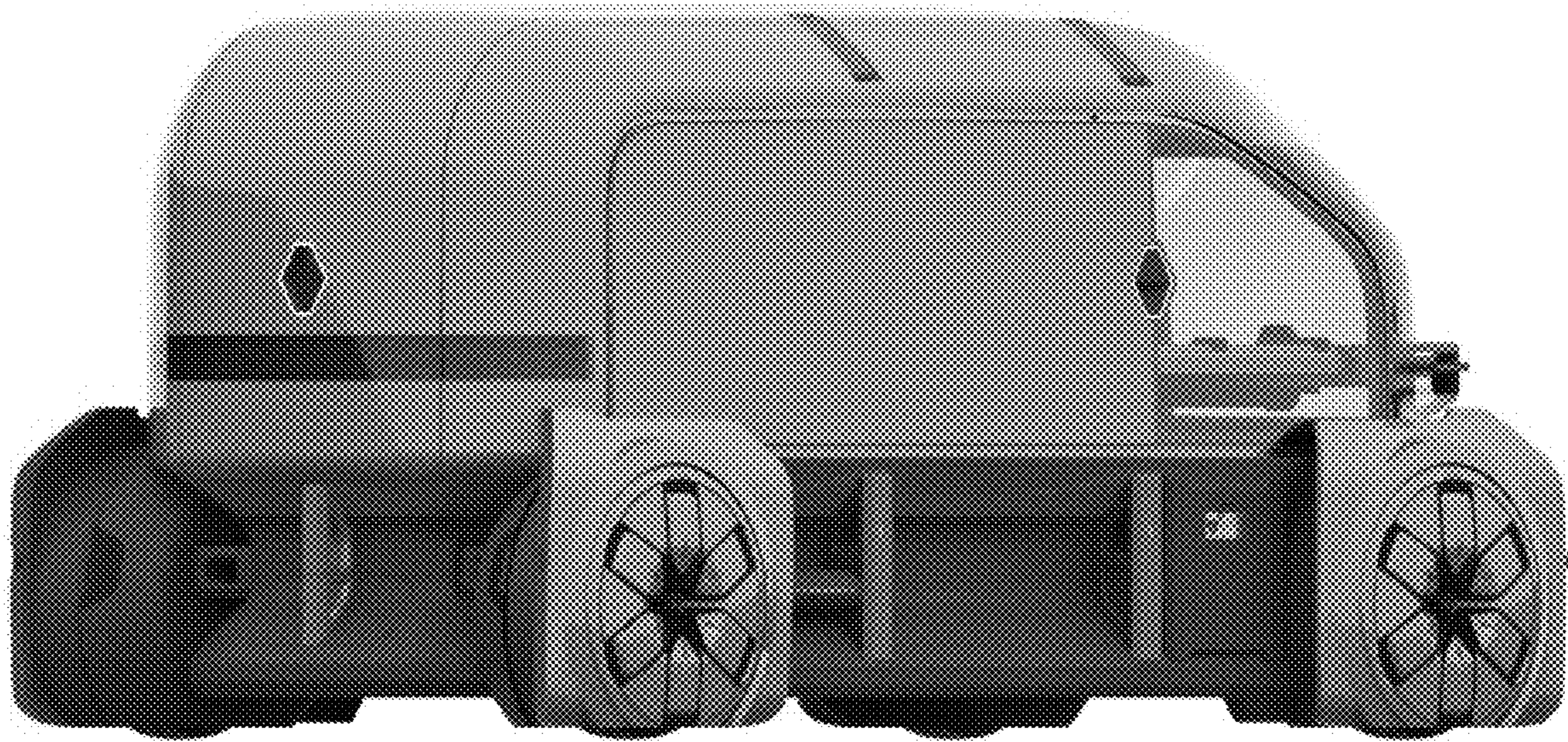
1.6



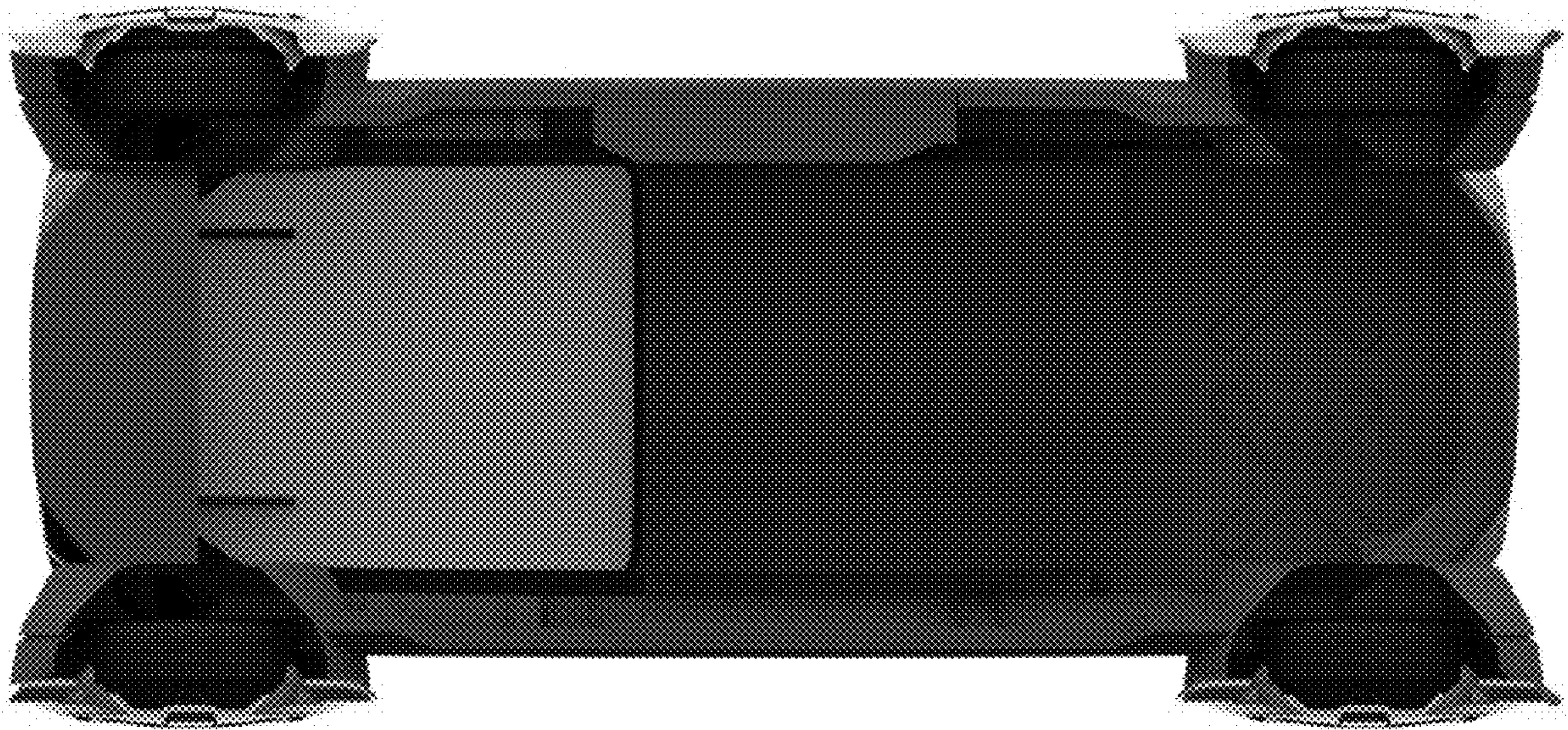
1.7



1.8



1.9



1.10

