



US00D885253S

(12) **United States Design Patent**
Sakai

(10) **Patent No.:** **US D885,253 S**

(45) **Date of Patent:** **** May 26, 2020**

(54) **DECORATION BASE FOR TOY BEADS**

(71) Applicant: **EPOCH COMPANY LTD**, Tokyo (JP)

(72) Inventor: **Ryo Sakai**, Tokyo (JP)

(73) Assignee: **EPOCH COMPANY LTD**, Tokyo (JP)

(**) Term: **15 Years**

(21) Appl. No.: **29/689,485**

(22) Filed: **Apr. 30, 2019**

(30) **Foreign Application Priority Data**

Nov. 2, 2018 (JP) 2018-024151

(51) **LOC (12) Cl.** **21-01**

(52) **U.S. Cl.**
USPC **D11/159**; D21/620; D6/674.1

(58) **Field of Classification Search**
USPC D6/598, 674–674.1; D11/158–159, 162;
D21/576–596, 598, 620; 446/99, 268,
446/368–369, 376, 428, 487; 180/8.6;
D30/160

CPC ... A63H 3/00; A63H 3/01; A63H 3/02; A63H
3/04; A63H 3/16; A63H 3/28; A63H
3/36; A63H 7/06; A63H 11/00; A63H
11/10; A63H 11/20; A63H 11/205; A63H
13/00; A63H 13/02; A63H 33/04; A63H
33/08; A63H 33/042; A63H 23/10; A63H
5/00; A63H 3/48

See application file for complete search history.

(56) **References Cited**

U.S. PATENT DOCUMENTS

D77,623 S * 1/1929 Ravert D21/620
D146,816 S * 5/1947 Treuting D21/620
D199,449 S * 10/1964 Carlson D21/620
4,186,515 A * 2/1980 Ogawa A63H 3/16
446/123

D281,519 S * 11/1985 Pedersen D21/620
4,964,836 A * 10/1990 Kamei A63H 3/04
446/370
D385,596 S * 10/1997 Nielsen D21/620
D385,597 S * 10/1997 Nielsen A63H 3/04
D21/620
D402,322 S * 12/1998 Hall A63H 3/16
D21/620
D418,179 S * 12/1999 Hansen D21/620
D689,963 S * 9/2013 Thorsen D21/620
D725,201 S * 3/2015 Shalgi D21/620

* cited by examiner

Primary Examiner — Sandra L Morris

(74) *Attorney, Agent, or Firm* — Fitzgerald IP Law; John
K. Fitzgerald

(57) **CLAIM**

The ornamental design for a decoration base for toy beads,
as shown and described.

DESCRIPTION

FIG. 1 is a perspective view of portions of the front, top, and
right sides of a decoration base for toy beads showing my
new design;

FIG. 2 is a perspective view of portions of the back, top, and
left sides thereof;

FIG. 3 is a right view thereof;

FIG. 4 is a left view thereof;

FIG. 5 is a top view thereof;

FIG. 6 is a bottom view thereof;

FIG. 7 is a rear view thereof;

FIG. 8 is a front view thereof; and,

FIG. 9 is reference view of the decoration base for toy beads
of FIG. 1 and also showing a carriage drawn in broken lines.

The broken lines shown are included for the purpose of
illustrating portions of the article which form no part of the
claimed design.

1 Claim, 9 Drawing Sheets

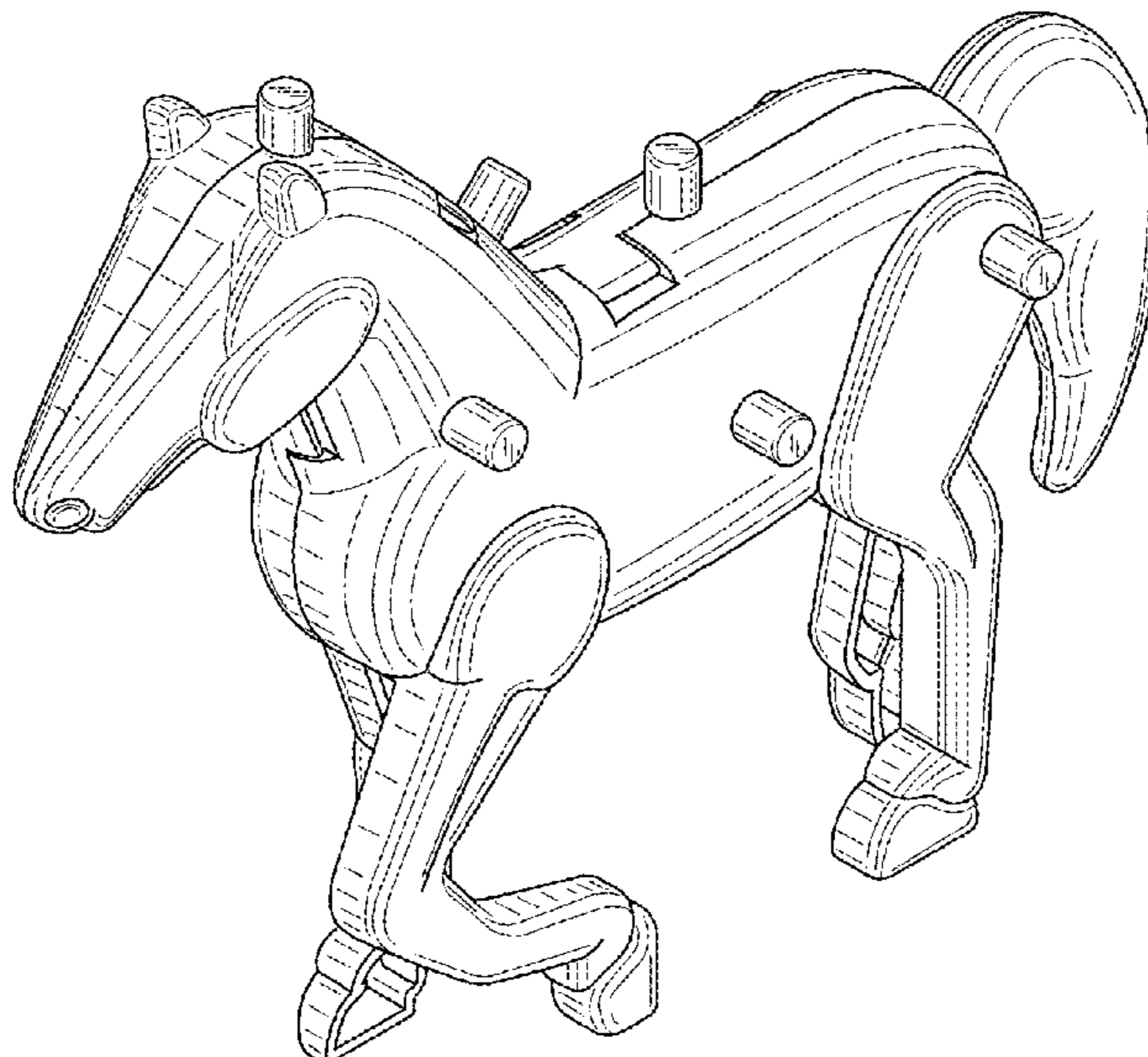


FIG. 1

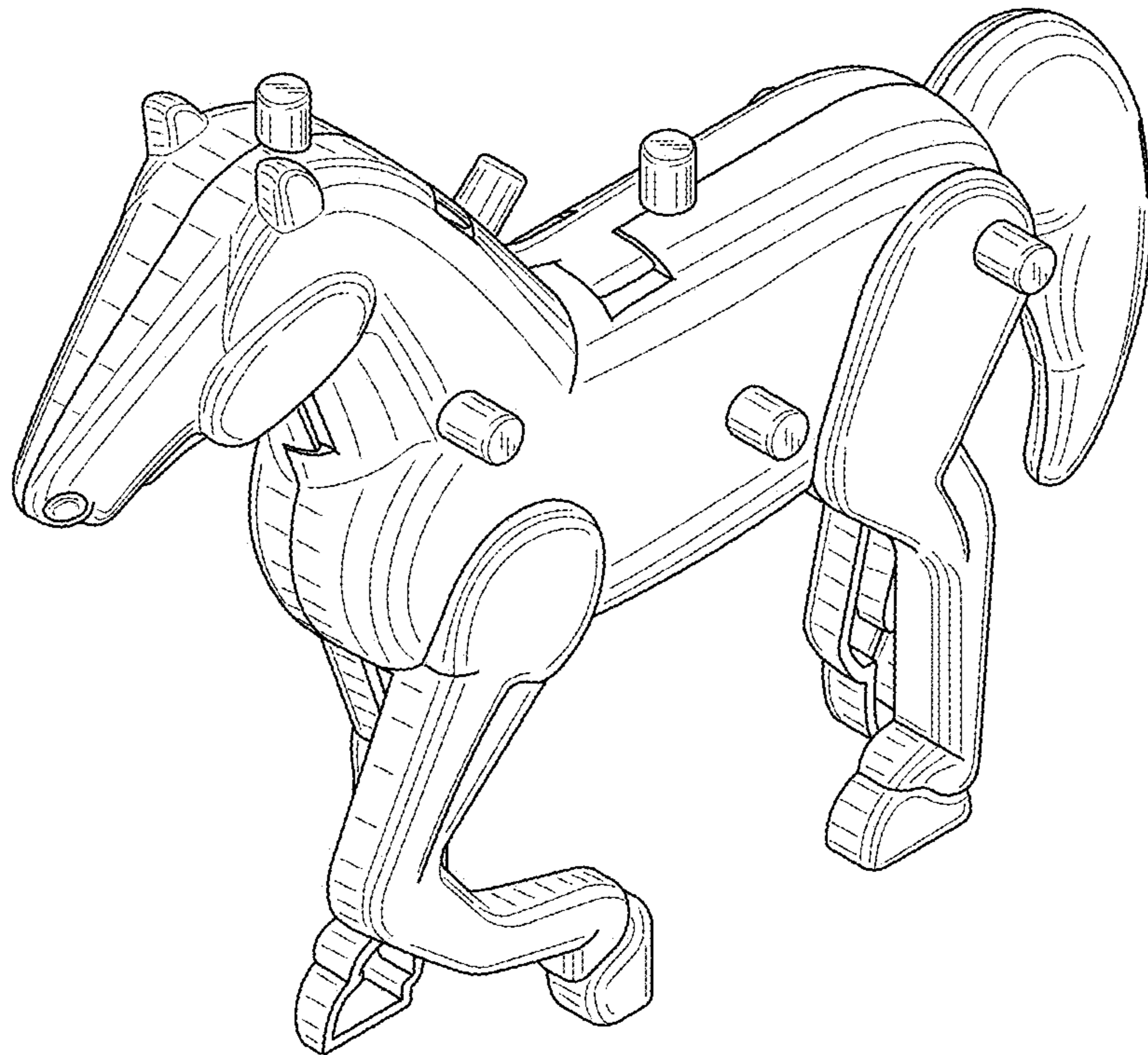


FIG. 2

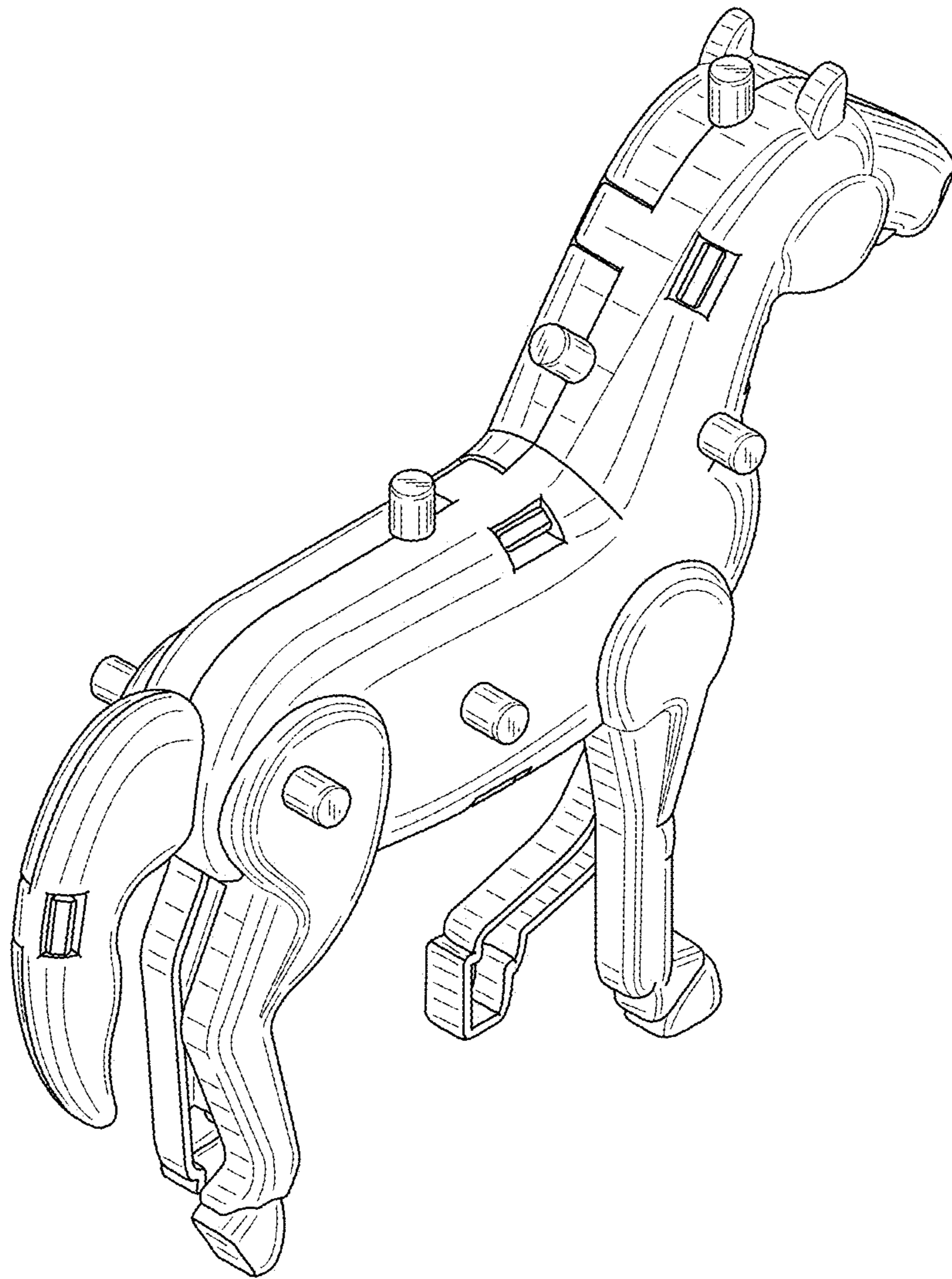


FIG. 3

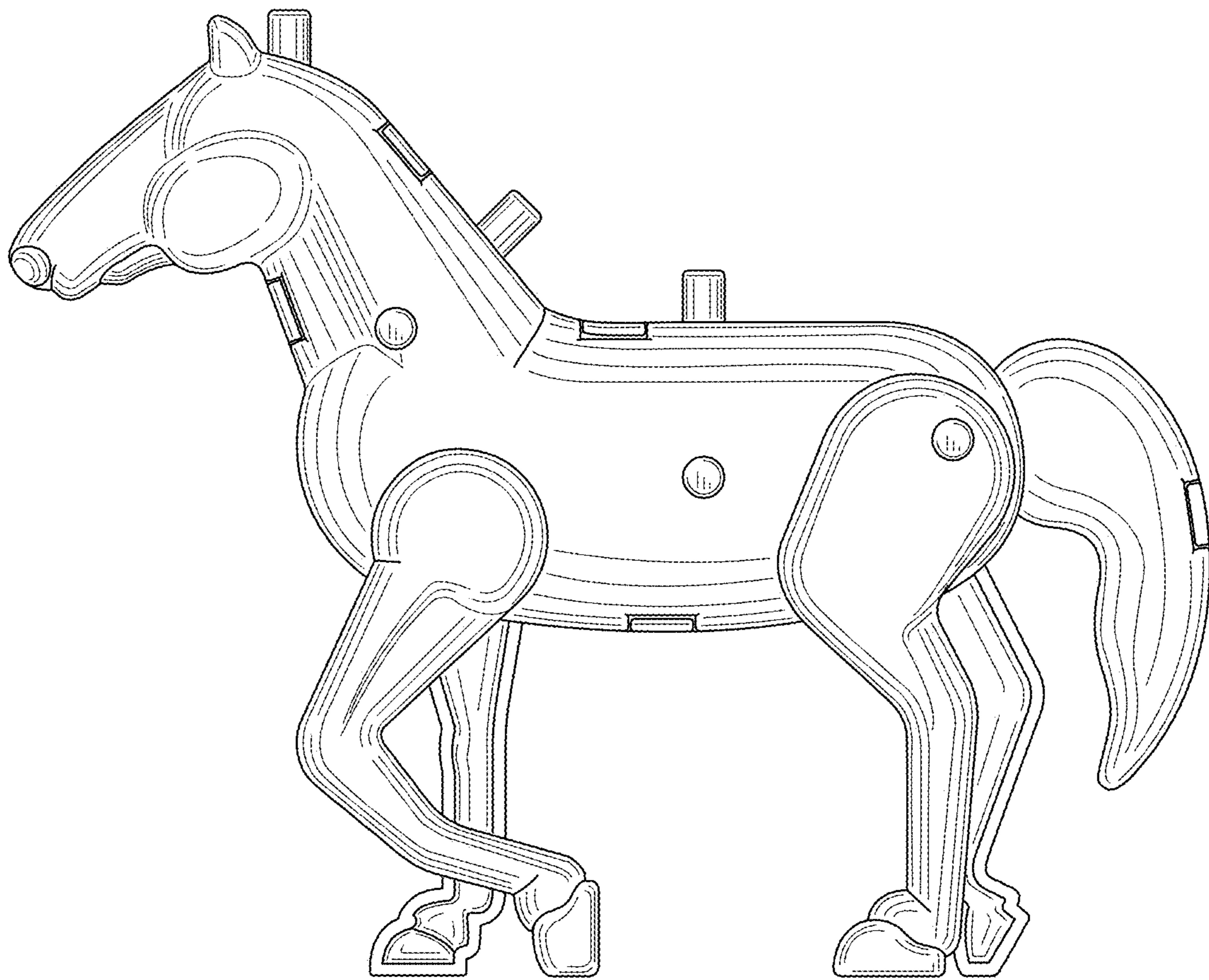


FIG. 4

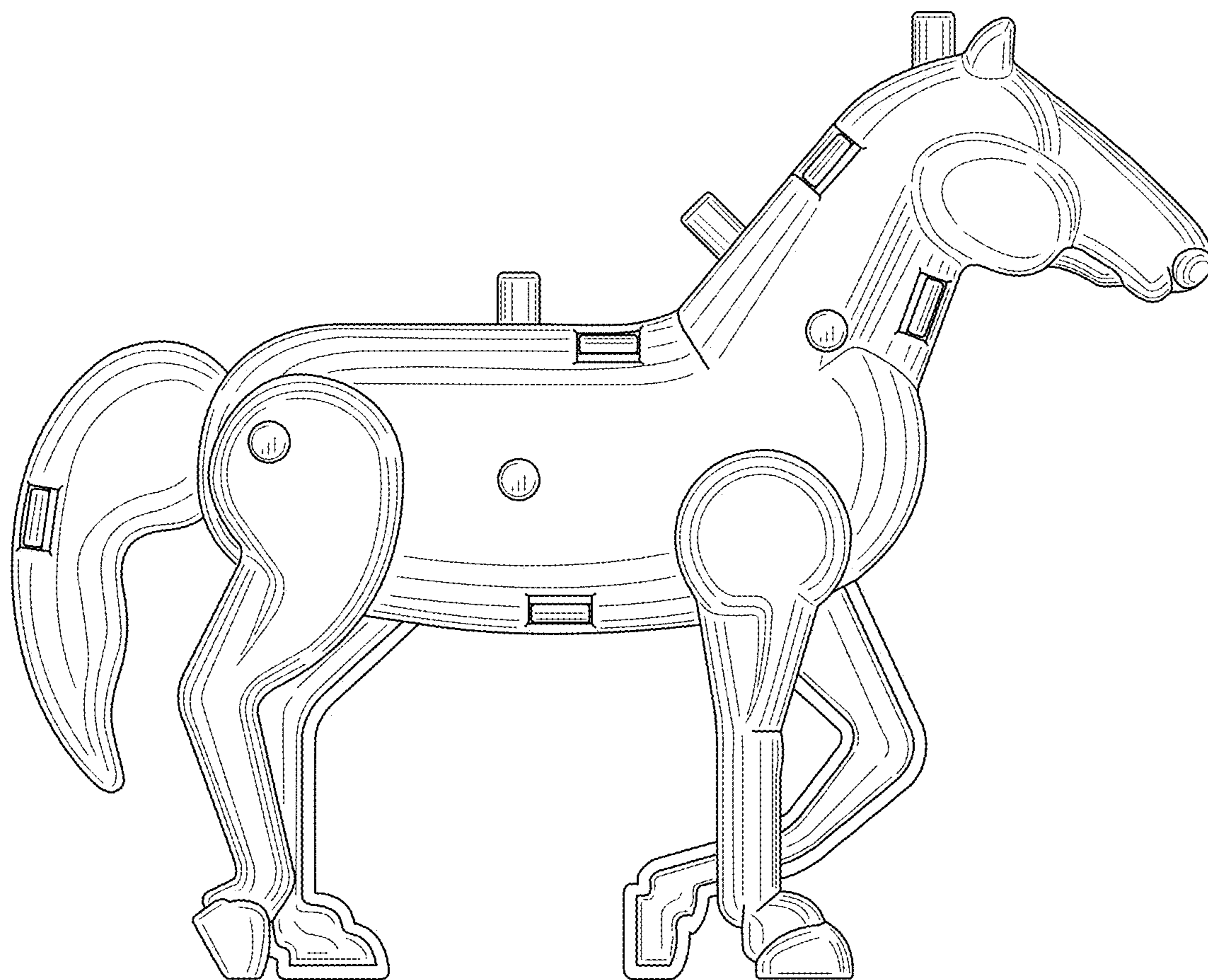


FIG. 5

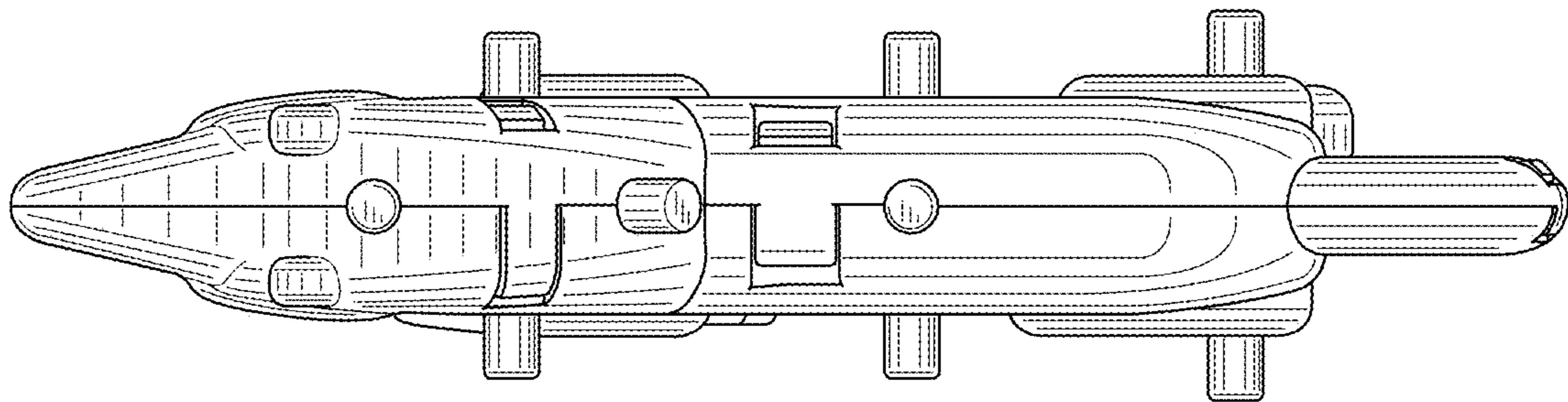


FIG. 6

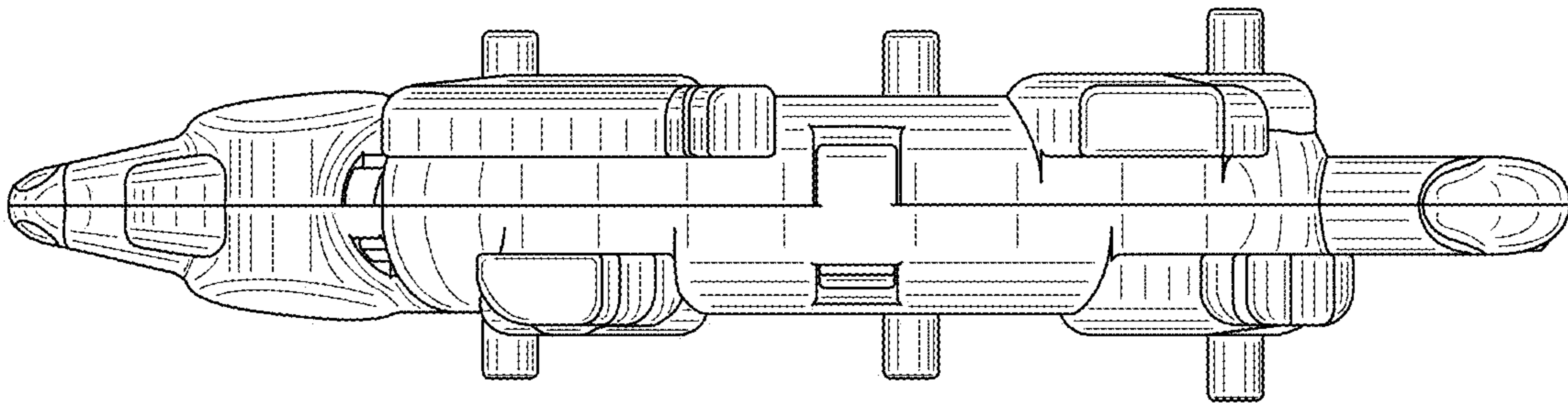


FIG. 7

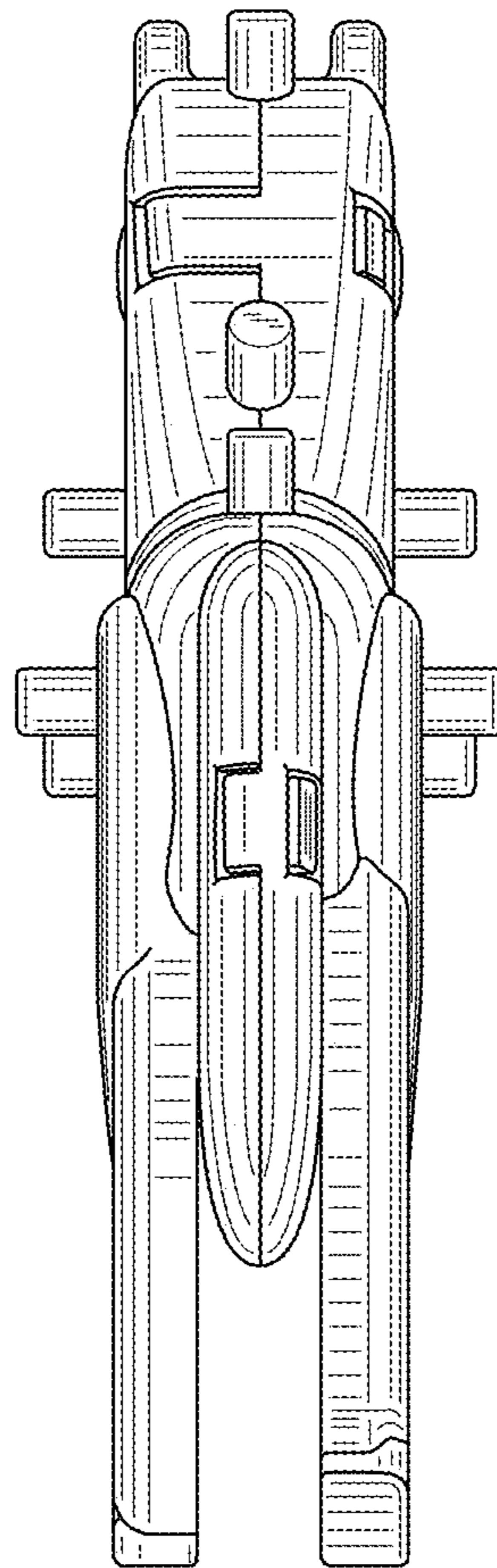


FIG. 8

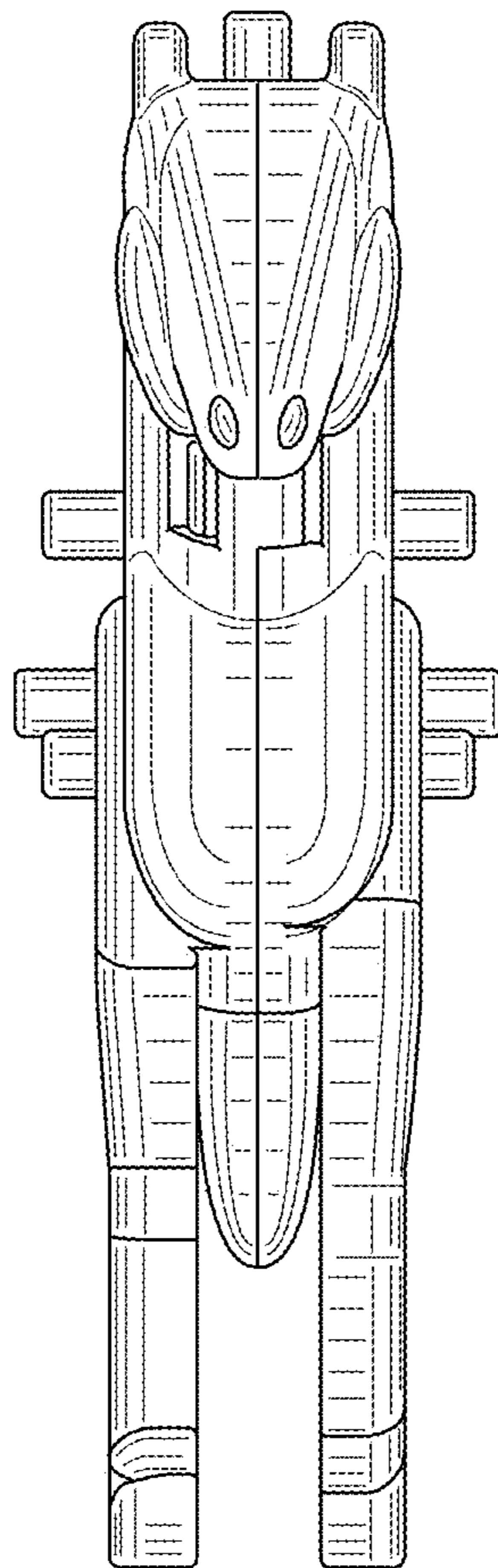


FIG. 9

