



US00D885252S

(12) **United States Design Patent**  
**Zhang**

(10) **Patent No.:** **US D885,252 S**  
(45) **Date of Patent:** **\*\* May 26, 2020**

(54) **MAGNETIC LEVITATION GLOBE**

FOREIGN PATENT DOCUMENTS

(71) Applicant: **BEIJING DIPPER PUBLISHING CO., LTD**, Beijing (CN)

CN 304613602 \* 5/2018

(72) Inventor: **Zhihao Zhang**, Beijing (CN)

OTHER PUBLICATIONS

(73) Assignee: **BEIJING DIPPER PUBLISHING CO., LTD**, Beijing (CN)

Fuzadel Magnetic Floating Levitating Globe, available Feb. 2, 2018, [online], [site visited Apr. 12, 2020]. Available from internet, URL: <https://www.amazon.com/FUZADEL-Magnetic-Levitating-Levitation-Playboards/dp/B072XD1TNB> (Year: 2018).\*

(\*\*) Term: **15 Years**

\* cited by examiner

(21) Appl. No.: **29/700,260**

*Primary Examiner* — W. A. Teddy Falloway

(22) Filed: **Jul. 31, 2019**

(51) **LOC (12) Cl.** ..... **11-02**

(52) **U.S. Cl.**  
USPC ..... **D11/157**

(58) **Field of Classification Search**  
USPC ..... D11/131, 133, 149, 157, 184; D21/498,  
D21/713; D19/61; D26/104, 110  
CPC . G09B 27/08; G09B 5/06; G09B 7/00; H02N  
15/00

See application file for complete search history.

(57) **CLAIM**

The ornamental design for a magnetic levitation globe, as shown and described.

**DESCRIPTION**

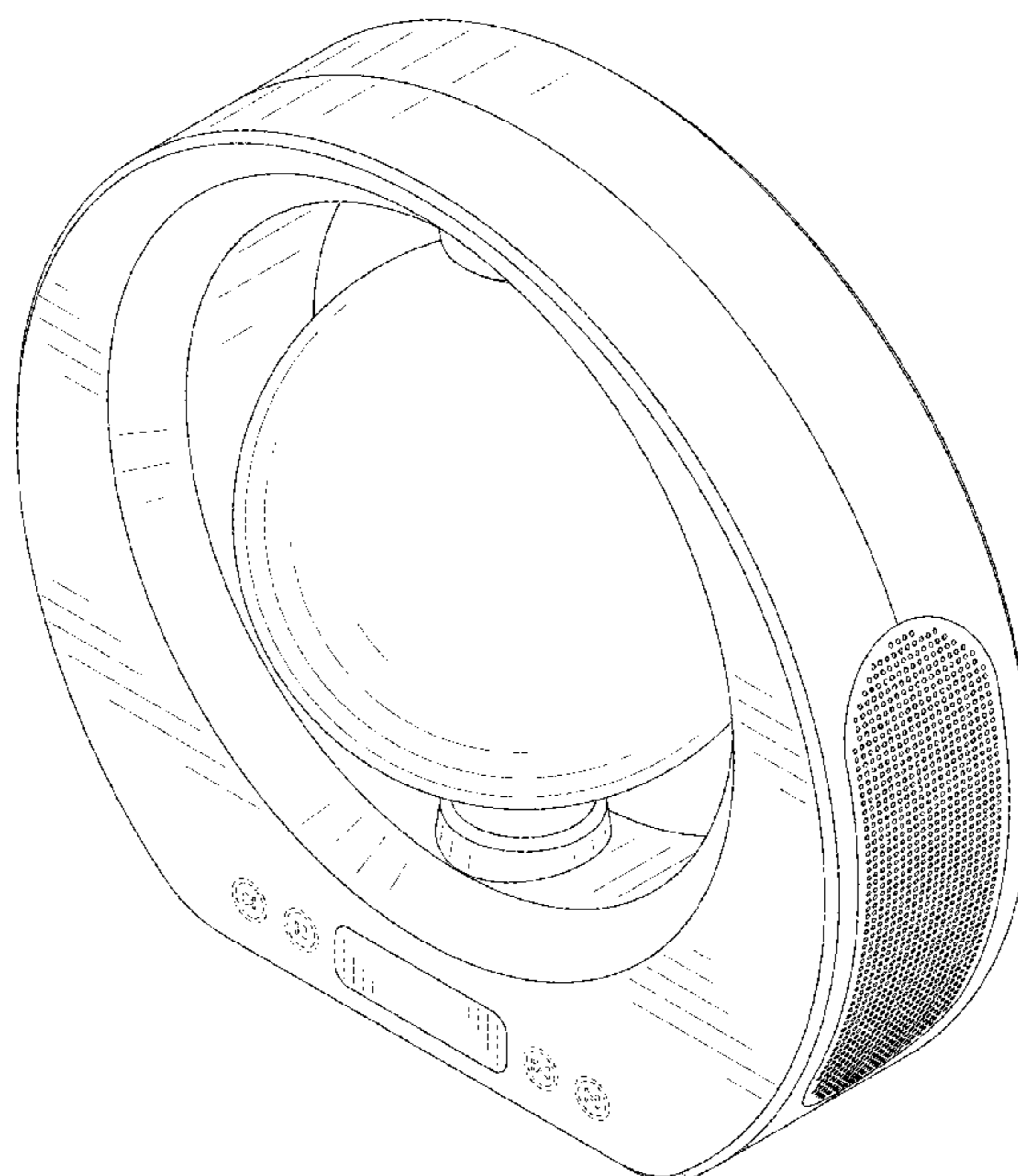
FIG. 1 is a perspective view of a magnetic levitation globe showing my new design;  
FIG. 2 is another perspective view thereof;  
FIG. 3 is a front elevational view thereof;  
FIG. 4 is a rear elevational view thereof;  
FIG. 5 is a left side elevational view thereof;  
FIG. 6 is a right side elevational view thereof;  
FIG. 7 is a top plan view thereof;  
FIG. 8 is a bottom plan view thereof; and,  
FIG. 9 is an enlarge view of portion 9 shown in FIG. 2.  
The broken lines in the drawings depict portions of the magnetic levitation globe that form no part of the claimed design.

(56) **References Cited**

U.S. PATENT DOCUMENTS

D413,335 S *	8/1999	Pinchuk	.....	D11/131
D524,979 S *	7/2006	Leung	.....	D26/104
D531,671 S *	11/2006	Chan	.....	D19/61
D584,898 S *	1/2009	Chang	.....	D6/309
8,082,271 B2 *	12/2011	Chan	.....	G09B 5/06 707/781
D724,363 S *	3/2015	Murchison	.....	D6/682.1
D797,575 S *	9/2017	Lai	.....	D10/22
D880,741 *	4/2020	Duarte	.....	D26/61
2006/0154217 A1 *	7/2006	Pachler	.....	H02N 15/00 434/131
2019/0355282 A1 *	11/2019	Potts	.....	G06F 3/03545

**1 Claim, 9 Drawing Sheets**



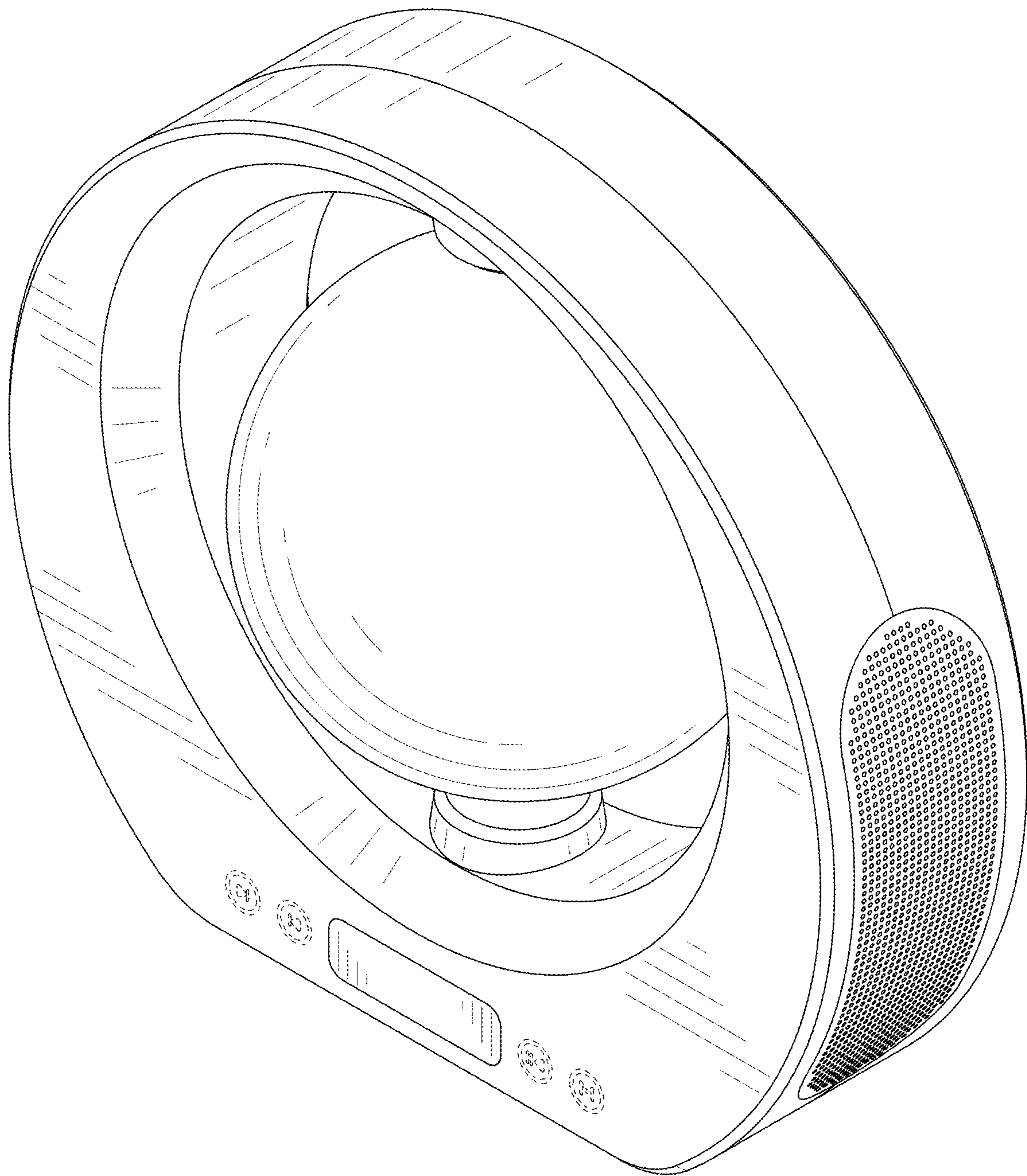


FIG. 1

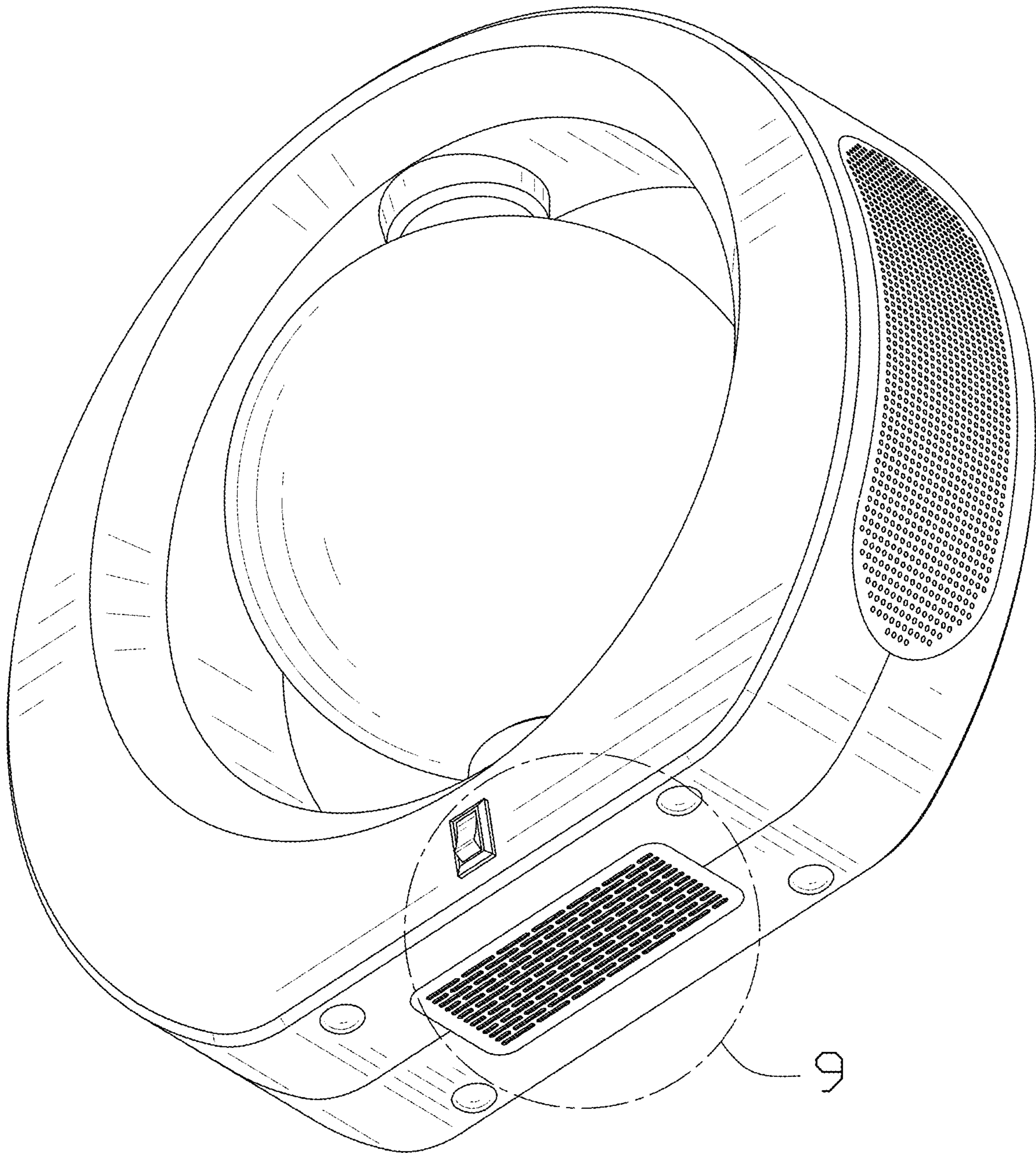


FIG. 2

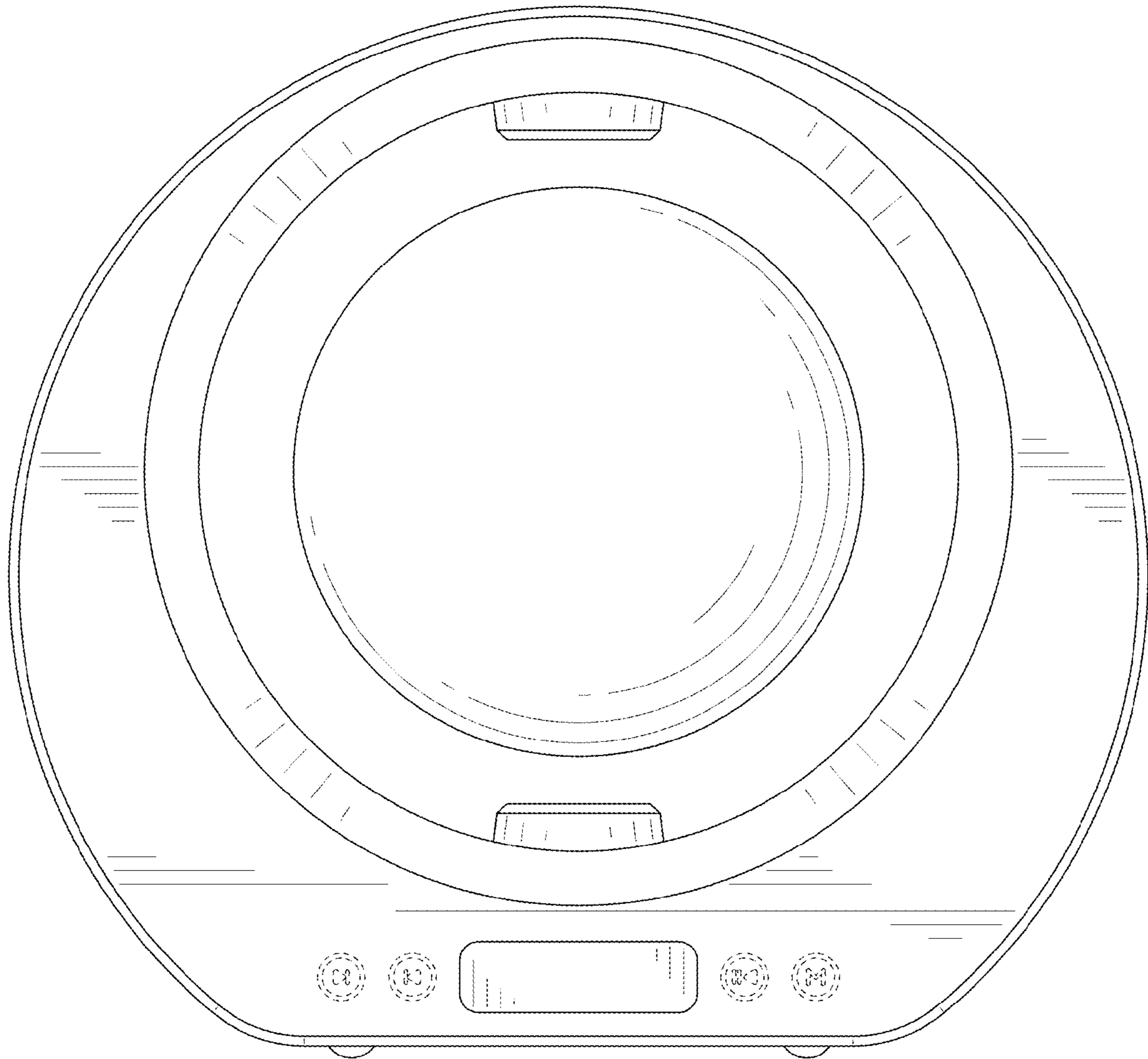


FIG. 3

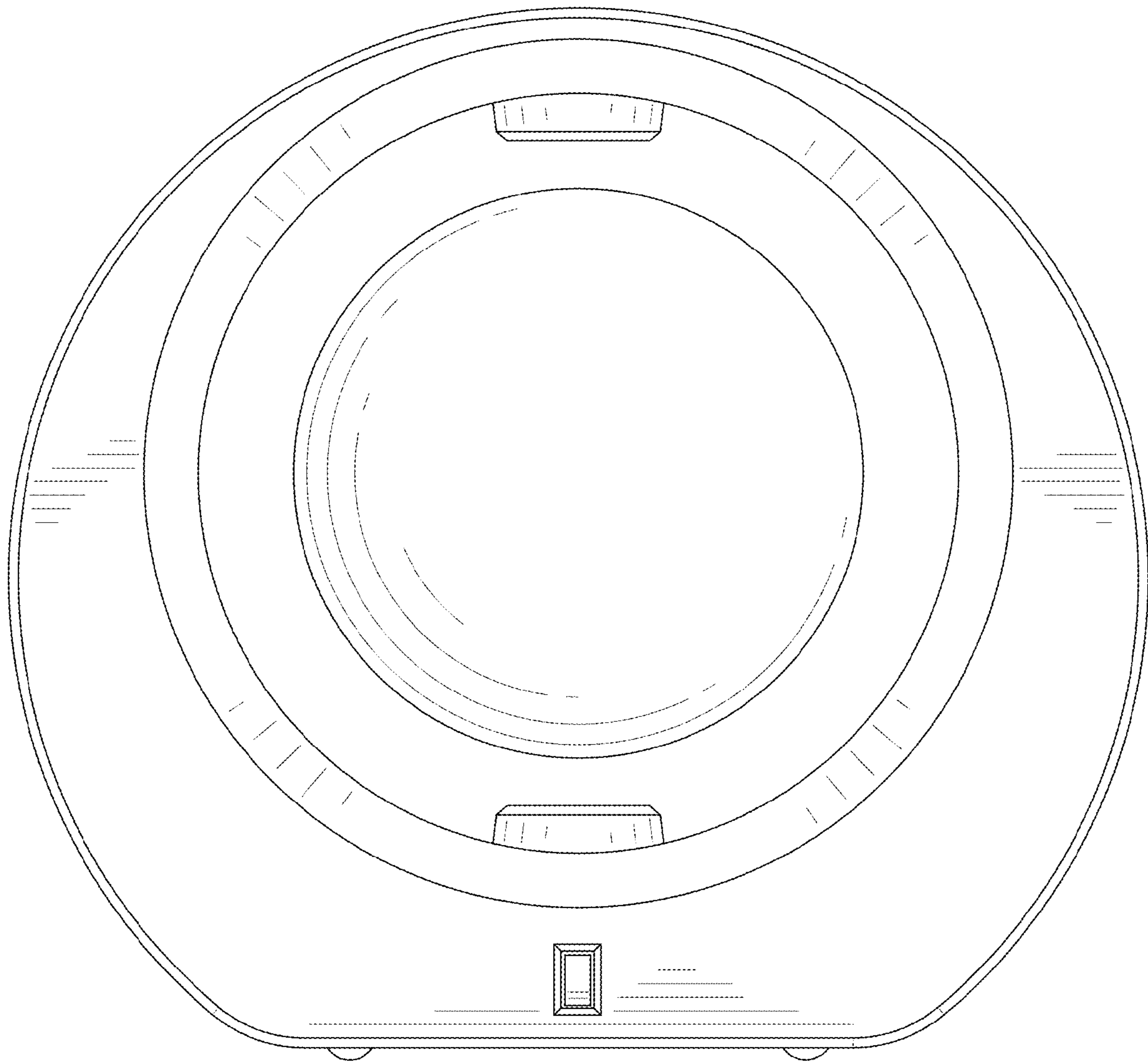


FIG. 4

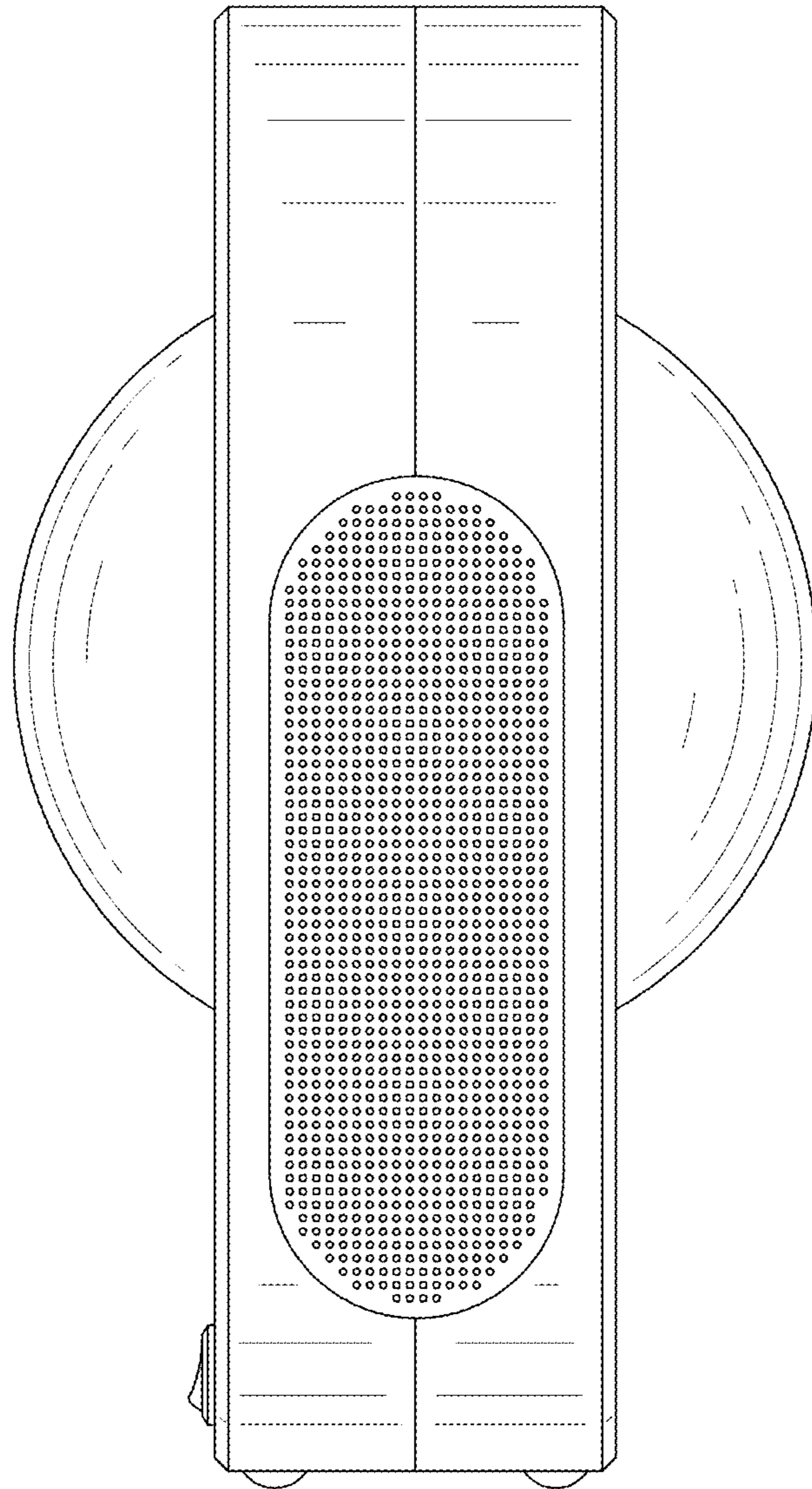


FIG. 5

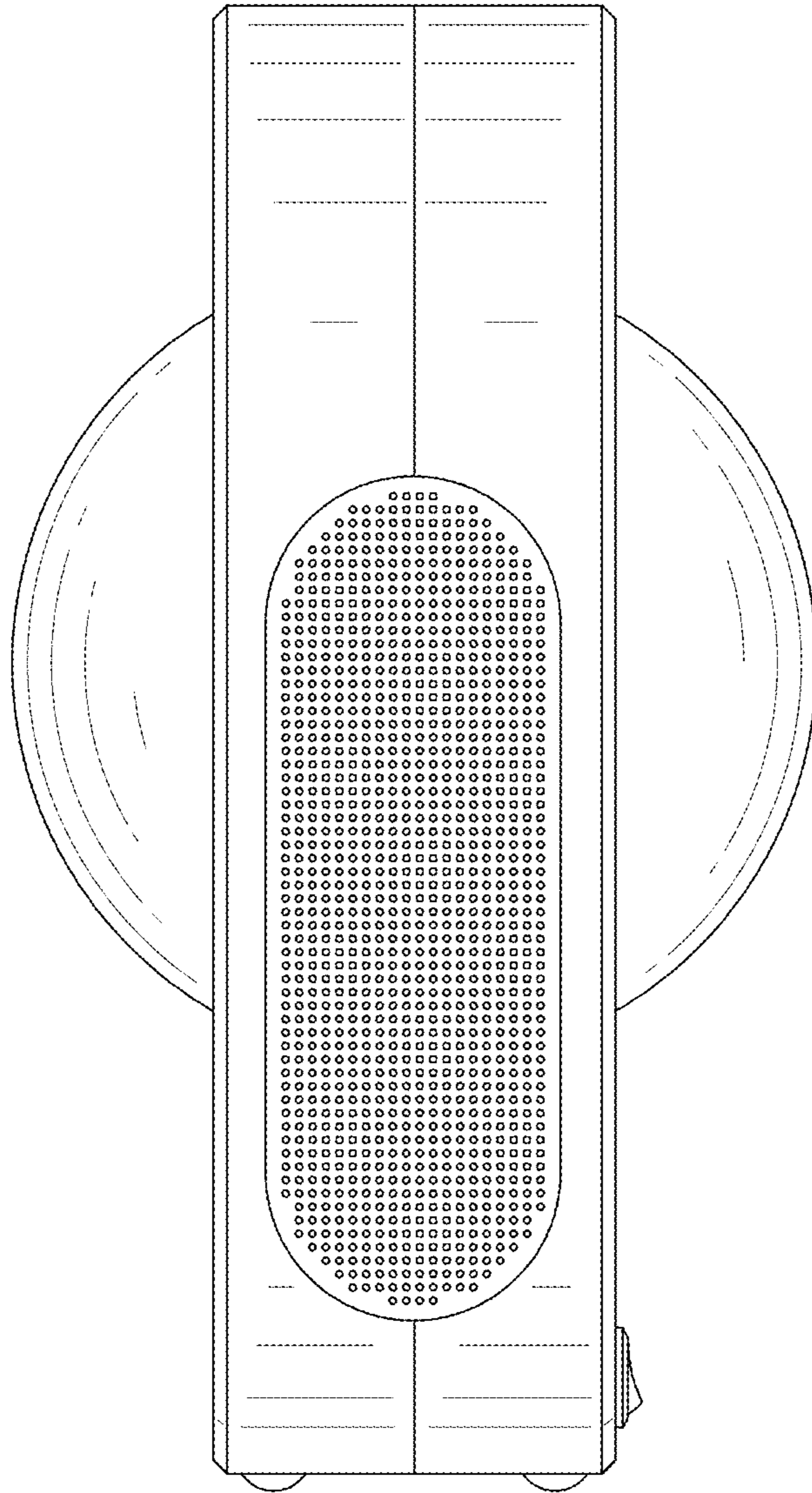


FIG. 6

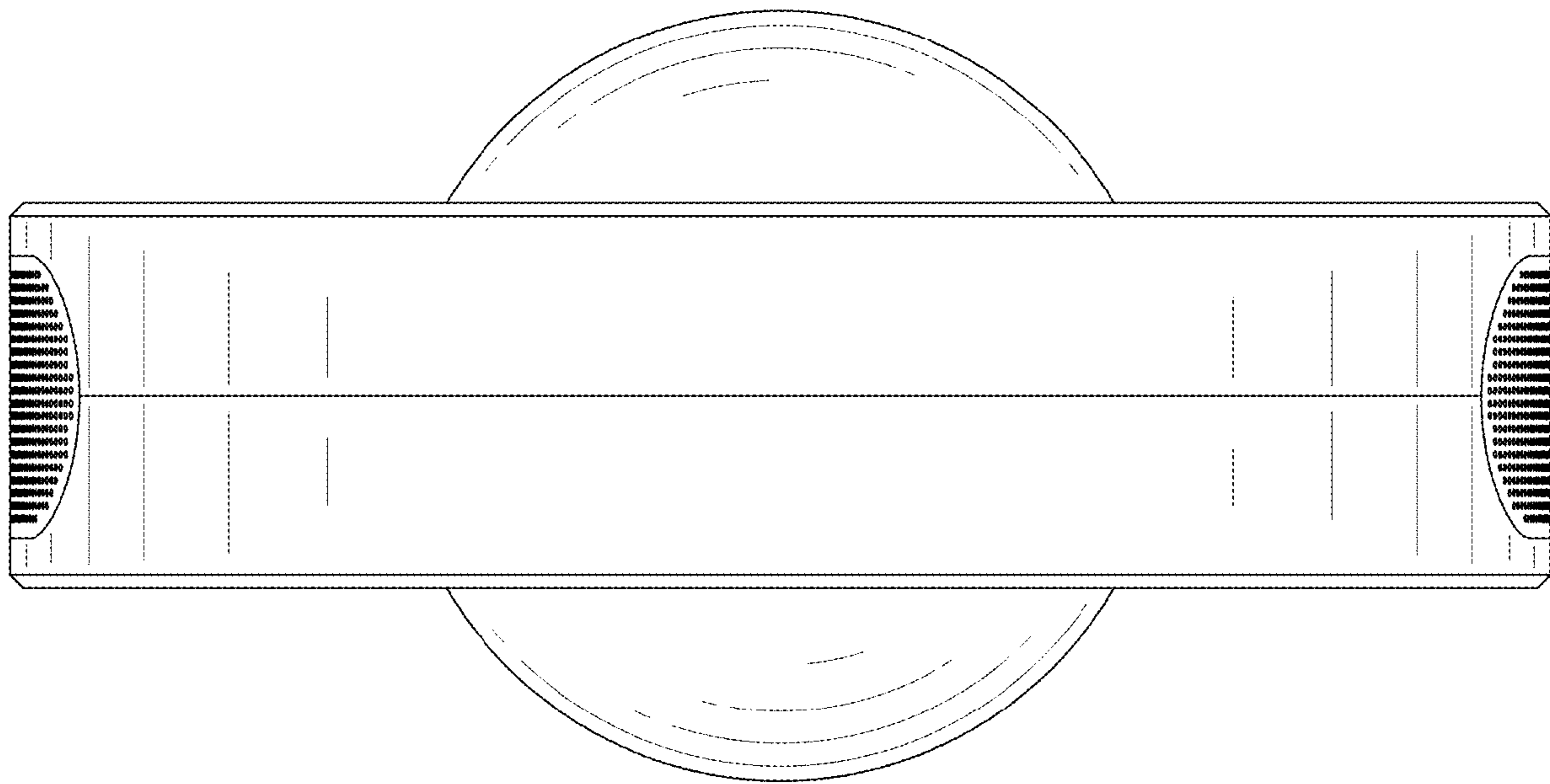


FIG. 7



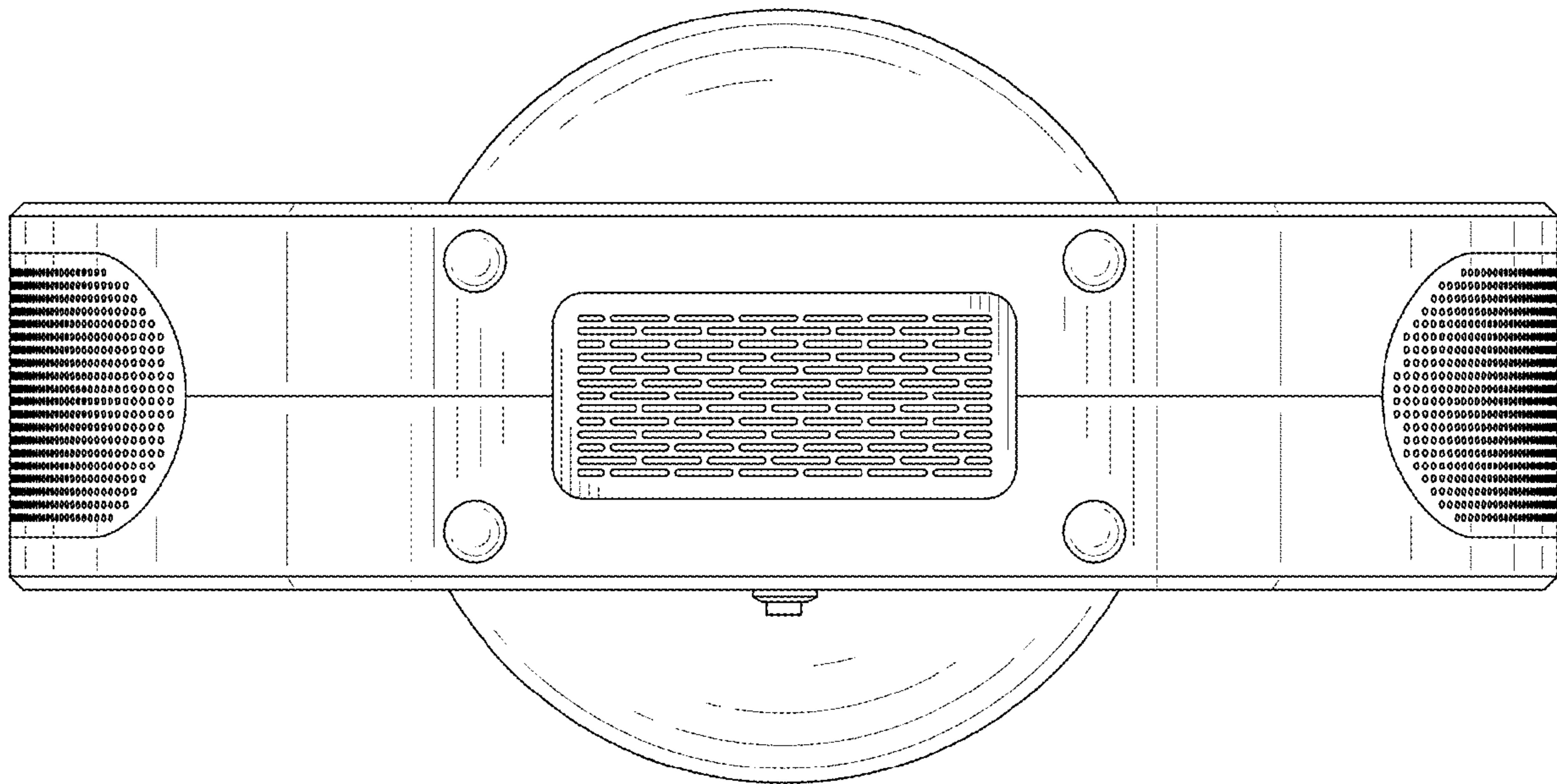


FIG. 8

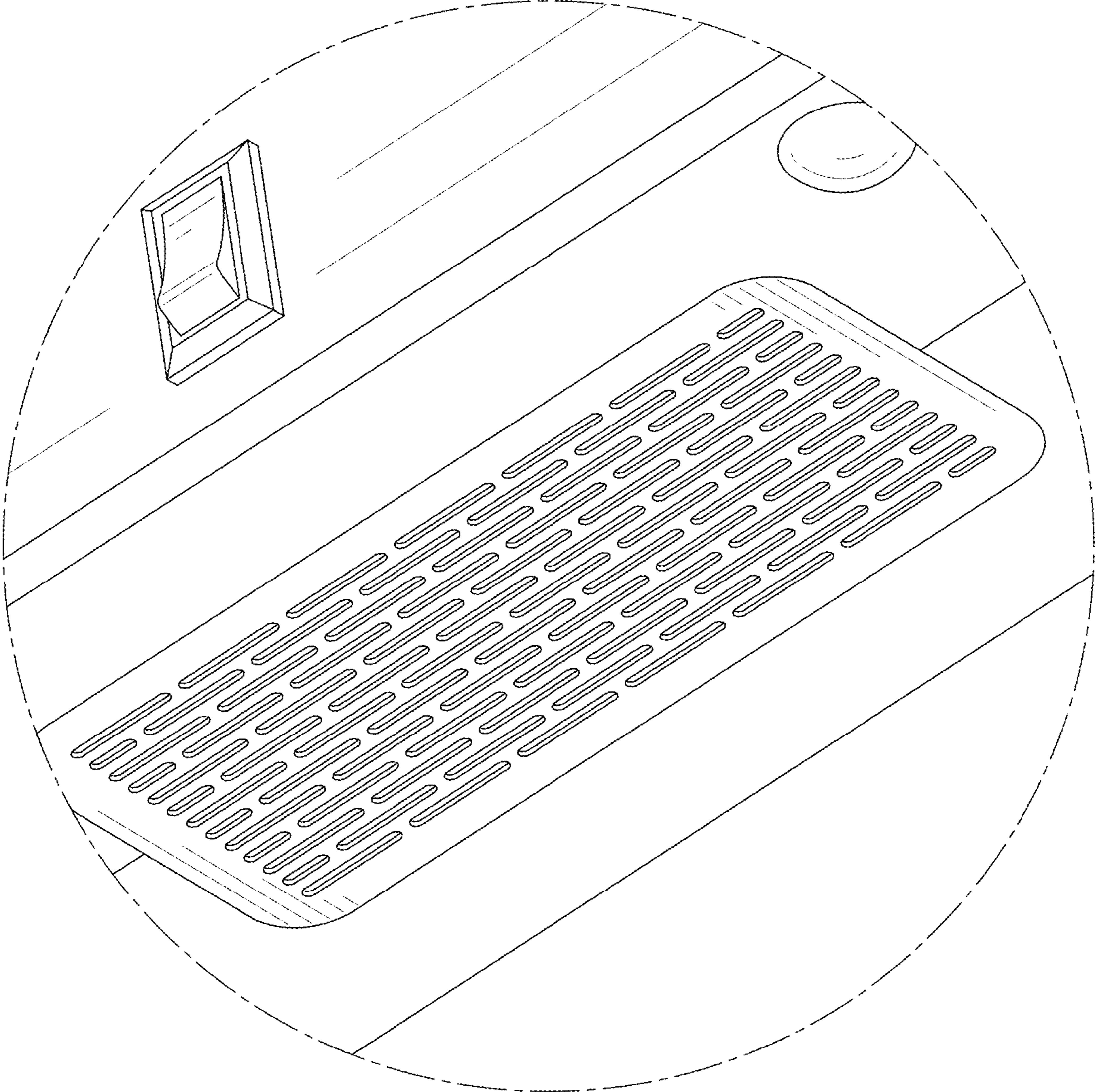


FIG. 9