



US00D885251S

(12) **United States Design Patent** (10) **Patent No.:** **US D885,251 S**  
**Hartloff** (45) **Date of Patent:** **\*\* May 26, 2020**

(54) **TILED GLOBE ASSEMBLY**

FOREIGN PATENT DOCUMENTS

(71) Applicant: **Global Creations, LLC**, St. Louis Park, MN (US)

CA 179828 \* 3/2019  
EP 1938874 A1 2/2008

(Continued)

(72) Inventor: **Matthew Hartloff**, St. Louis Park, MN (US)

OTHER PUBLICATIONS

(73) Assignee: **Global Creations, LLC**, St. Louis Park, MN (US)

Global Creations Facebook Page, available Sep. 6, 2017, [online], [site visited Jun. 8, 2019]. Available from internet, URL: [https://www.facebook.com/pg/therealglobalcreations/photos/?ref=page\\_internal](https://www.facebook.com/pg/therealglobalcreations/photos/?ref=page_internal) (Year: 2017).\*

(\*\*) Term: **15 Years**

(Continued)

(21) Appl. No.: **29/614,830**

(22) Filed: **Aug. 23, 2017**

*Primary Examiner* — W. A. Teddy Falloway

(51) **LOC (12) Cl.** ..... **11-02**

(74) *Attorney, Agent, or Firm* — Grumbles Law PLLC; Brittany Nanzig

(52) **U.S. Cl.**

USPC ..... **D11/157**

(57) **CLAIM**

(58) **Field of Classification Search**

USPC ..... D11/110, 131, 133, 140, 141, 142, 149, D11/152, 153, 157, 184; D21/478, 479, D21/713, 714, 780-782, 789, 318; D26/94; 345/423; 273/157 A, 157 R, 273/156; 156/93, 265, 245, 297; 434/134, 135, 137; D6/303  
CPC .... A63F 2009/124; A63F 9/12; A63F 9/0865; A63F 2003/0444; A63F 2009/1212; A63F 9/0861; A63F 9/088; A63F 9/1208; A63F 9/08; A63H 33/046; Y10S 52/10; B29D 22/04; B63B 2241/16; B65D 5/2033; G06T

The ornamental design for a tiled globe assembly, as shown and described.

**DESCRIPTION**

FIG. 1 is a side view of a tiled globe assembly showing my new design.  
FIG. 2 is a top plan view of one hexagonal segment of the tiled globe assembly, shown separately for completeness of illustration.  
FIG. 3 is a bottom plan view thereof.  
FIG. 4 is a side elevational view thereof.  
FIG. 5 is a bottom perspective view thereof.  
FIG. 6 is a top plan view of one pentagonal segment of the tiled globe assembly of FIG. 1, shown separately for completeness of illustration.  
FIG. 7 is a bottom plan view thereof.  
FIG. 8 is a side elevational view thereof.  
FIG. 9 is a bottom perspective view thereof; and,  
FIG. 10 is a side view of the tiled globe assembly of FIG. 1, shown with a hexagonal segment in an alternate position.

(Continued)

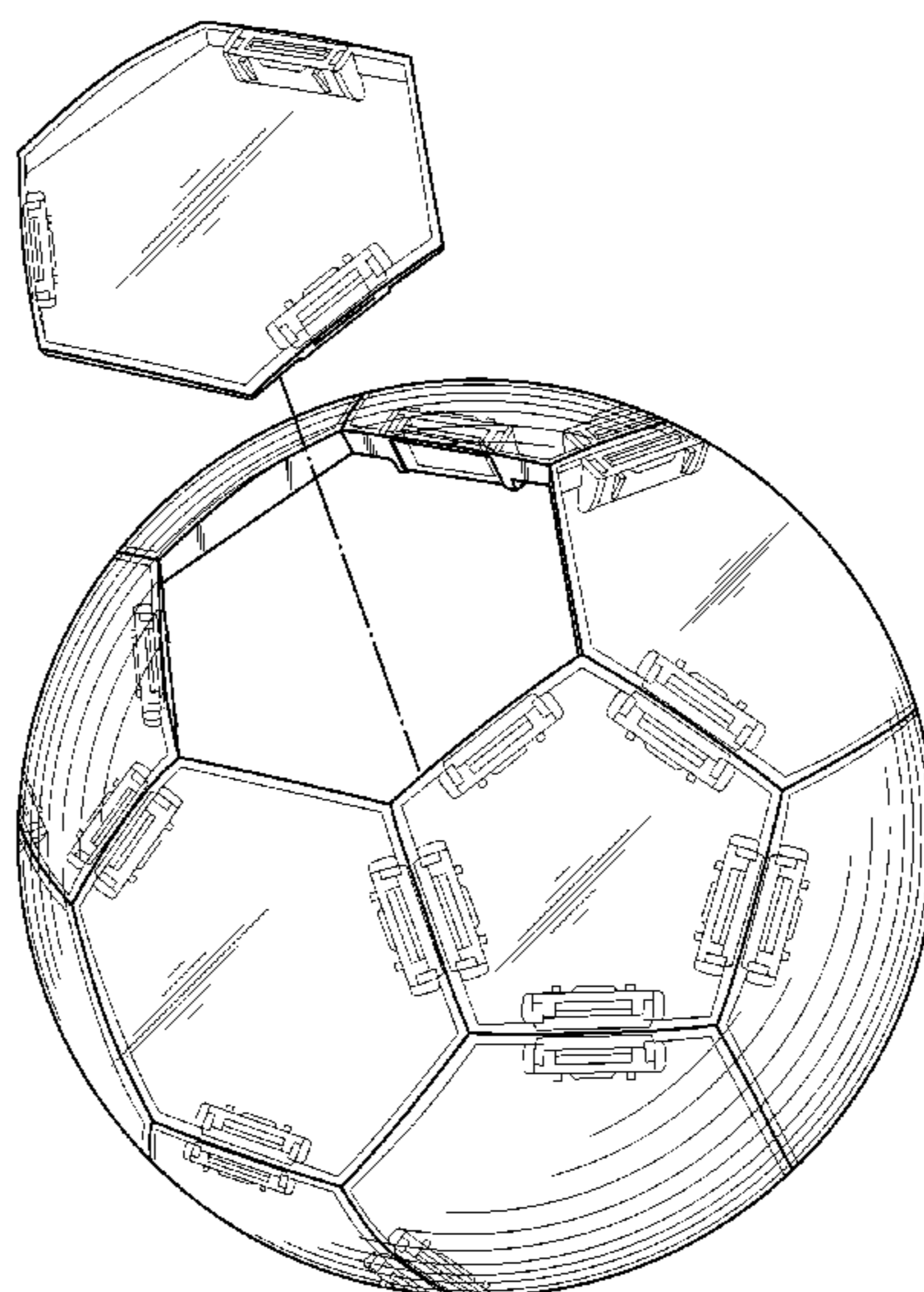
(56) **References Cited**

U.S. PATENT DOCUMENTS

3,331,145 A \* 7/1967 Amdahl ..... G09B 27/08 434/137  
3,578,331 A \* 5/1971 DeGast ..... A63F 9/12 273/157 R

(Continued)

**1 Claim, 6 Drawing Sheets**



(58) **Field of Classification Search**

CPC ..... 17/20; G06T 2219/012; B31B 3/00; A63B 41/08; B32B 38/00; B32B 38/04; B32B 37/16

See application file for complete search history.

(56) **References Cited**

U.S. PATENT DOCUMENTS

4,055,019 A 10/1977 Harvey  
 D283,523 S \* 4/1986 Balint ..... 273/153 R  
 D290,428 S \* 6/1987 Johnson ..... D21/713  
 5,104,125 A \* 4/1992 Wilson ..... A63F 9/12  
 273/157 R  
 5,320,345 A \* 6/1994 Lai ..... A63B 41/08  
 40/327  
 D418,514 S \* 1/2000 Adelaar ..... D14/230  
 6,398,221 B1 \* 6/2002 Graham ..... A63F 9/12  
 273/157 R  
 6,588,157 B1 \* 7/2003 Davies ..... E04B 1/3211  
 52/81.1  
 7,686,616 B1 \* 3/2010 Cloud ..... G09B 27/08  
 434/137  
 8,141,876 B2 \* 3/2012 Humphreys ..... A63H 33/108  
 273/156  
 D717,690 S \* 11/2014 Modderman ..... D11/124  
 D747,416 S \* 1/2016 Zawitz ..... D21/318  
 D782,753 S \* 3/2017 Eisenbarth ..... D21/713  
 D787,519 S \* 5/2017 Nolan ..... D14/440  
 10,599,028 B2 \* 3/2020 Ananbanchachai ... G03B 21/58  
 2002/0135125 A1 \* 9/2002 Wu ..... A63F 9/12  
 273/156  
 2005/0073095 A1 \* 4/2005 Pharaoh ..... A63H 33/08  
 273/156  
 2005/0248090 A1 \* 11/2005 Anders ..... A63H 33/046  
 273/156  
 2006/0099375 A1 \* 5/2006 Lee ..... A63H 33/04  
 428/53  
 2006/0249243 A1 \* 11/2006 Cheng ..... B29D 22/04  
 156/93  
 2007/0039254 A1 \* 2/2007 Onda ..... B63B 35/44  
 52/81.1

2008/0066393 A1 \* 3/2008 Sorensen ..... A63H 33/101  
 52/81.1  
 2008/0197566 A1 \* 8/2008 Lee ..... A63F 9/1208  
 273/157 R  
 2008/0230988 A1 9/2008 Paquette  
 2010/0009788 A1 \* 1/2010 Hasbach Lugo ..... A63B 37/12  
 473/569  
 2010/0244377 A1 \* 9/2010 Gao ..... A63F 9/0865  
 273/156  
 2012/0052994 A1 \* 3/2012 Su ..... A63B 41/08  
 473/605  
 2013/0258697 A1 \* 10/2013 Suzuki ..... F21S 43/31  
 362/517  
 2014/0267261 A1 \* 9/2014 Samavati ..... G06T 17/05  
 345/423  
 2015/0037766 A1 \* 2/2015 Schein ..... G06F 17/10  
 434/211  
 2015/0314909 A1 \* 11/2015 Verges Escu N .... B65D 5/2033  
 229/110  
 2016/0253925 A1 \* 9/2016 Renner ..... G09B 27/08  
 434/135

FOREIGN PATENT DOCUMENTS

JP D1581004 \* 7/2017  
 WO 03061793 A1 7/2003

OTHER PUBLICATIONS

Soccer ball with photos (via Etsy), available Jun. 7, 2019, [online], [site visited Jun. 9, 2019]. Available from internet, URL: <https://www.etsy.com/listing/569765493/soccer-ball-with-photos-for-that> (Year: 2019).\*

Magformers magnetic blocks, available Oct. 13, 2013, [online], [site visited Jun. 8, 2019]. Available from internet, URL: <https://www.amazon.com/Magformers-pieces-magnetic-building-educational/dp/B002NGOH1W> (Year: 2013).\*

“Magna-Tiles,” Valtech, [www.magnatiles.com/products/](http://www.magnatiles.com/products/), Jun. 10, 2009, 3 pp.

\* cited by examiner



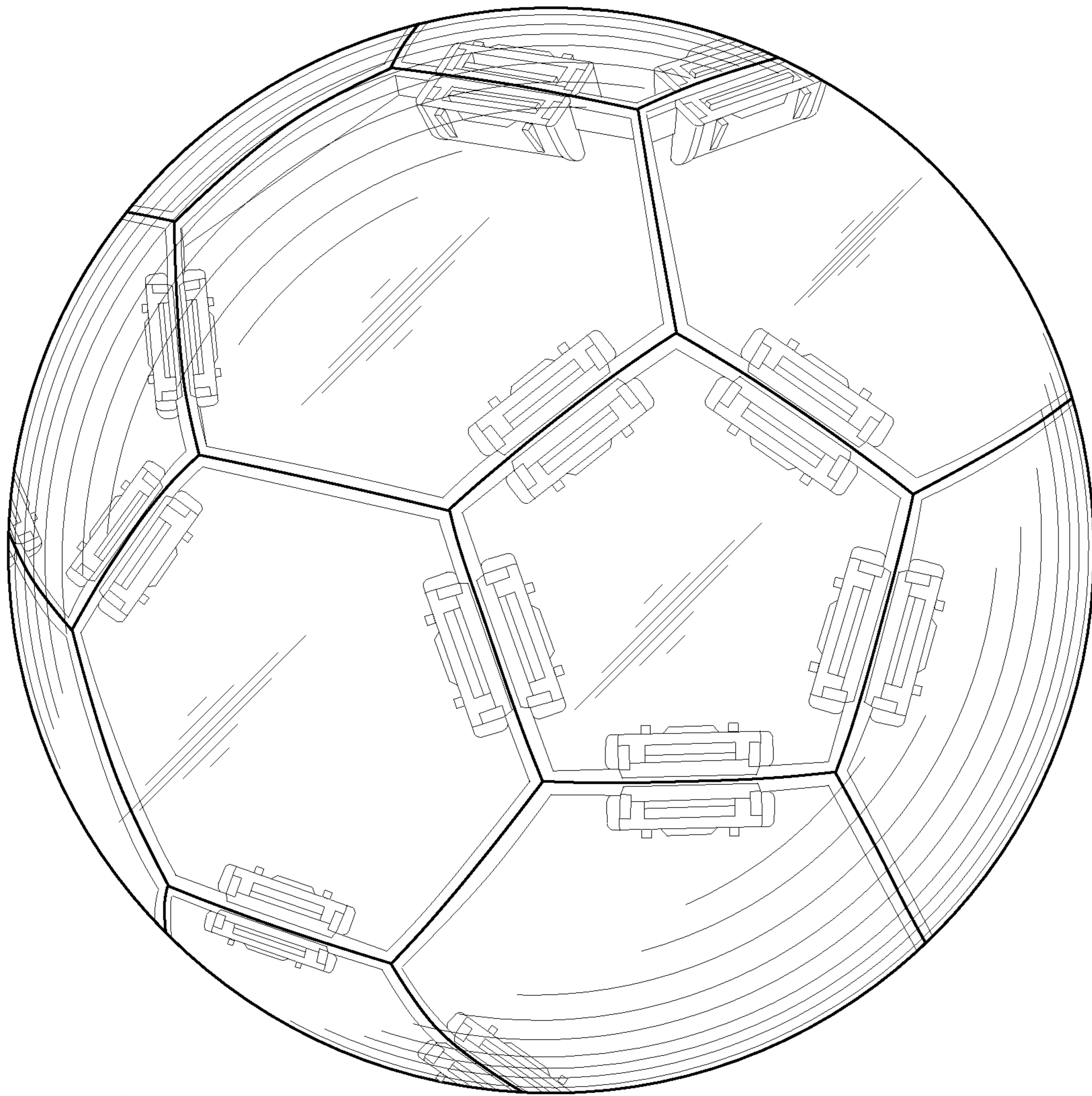


FIG. 1

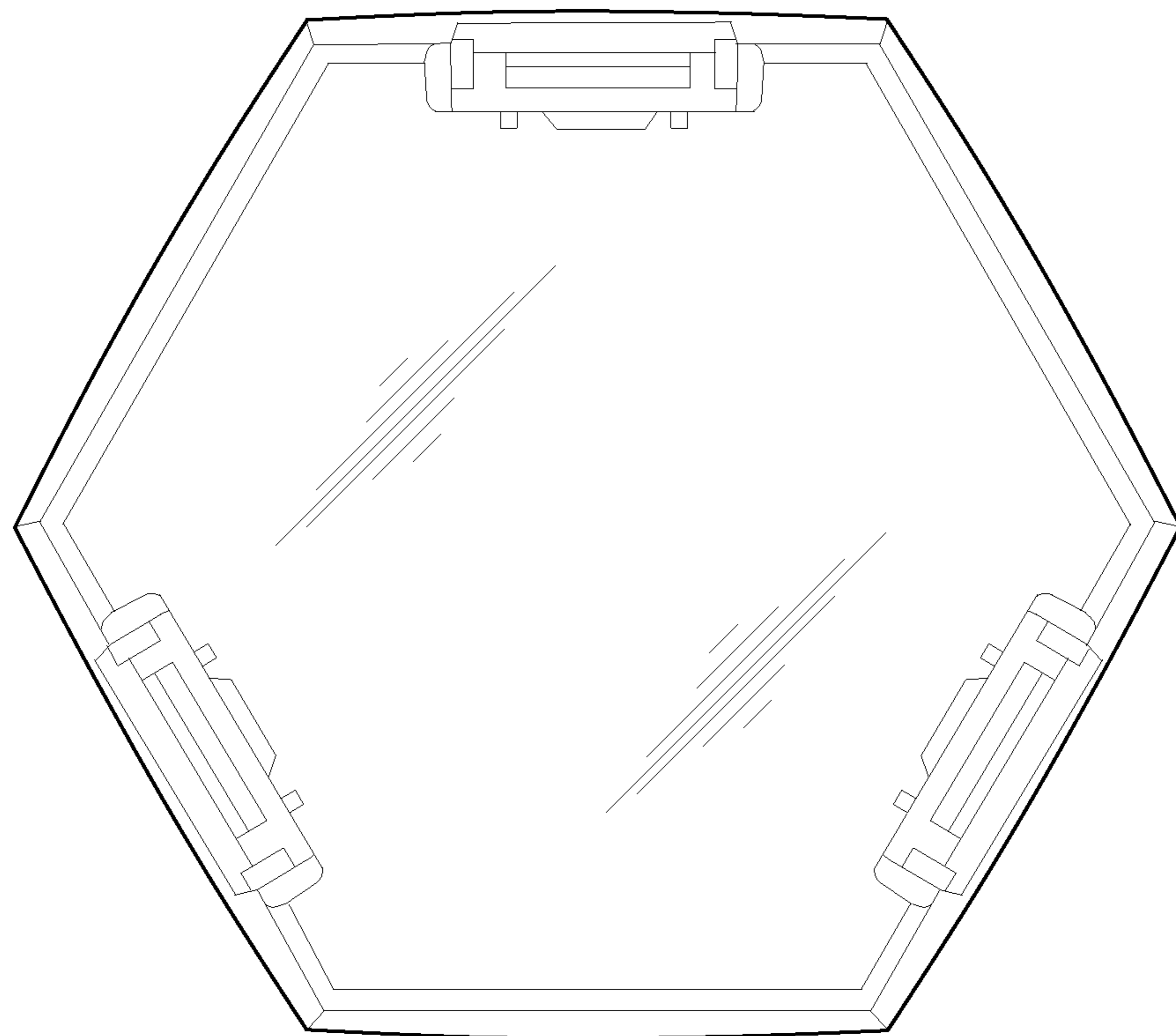


FIG. 2

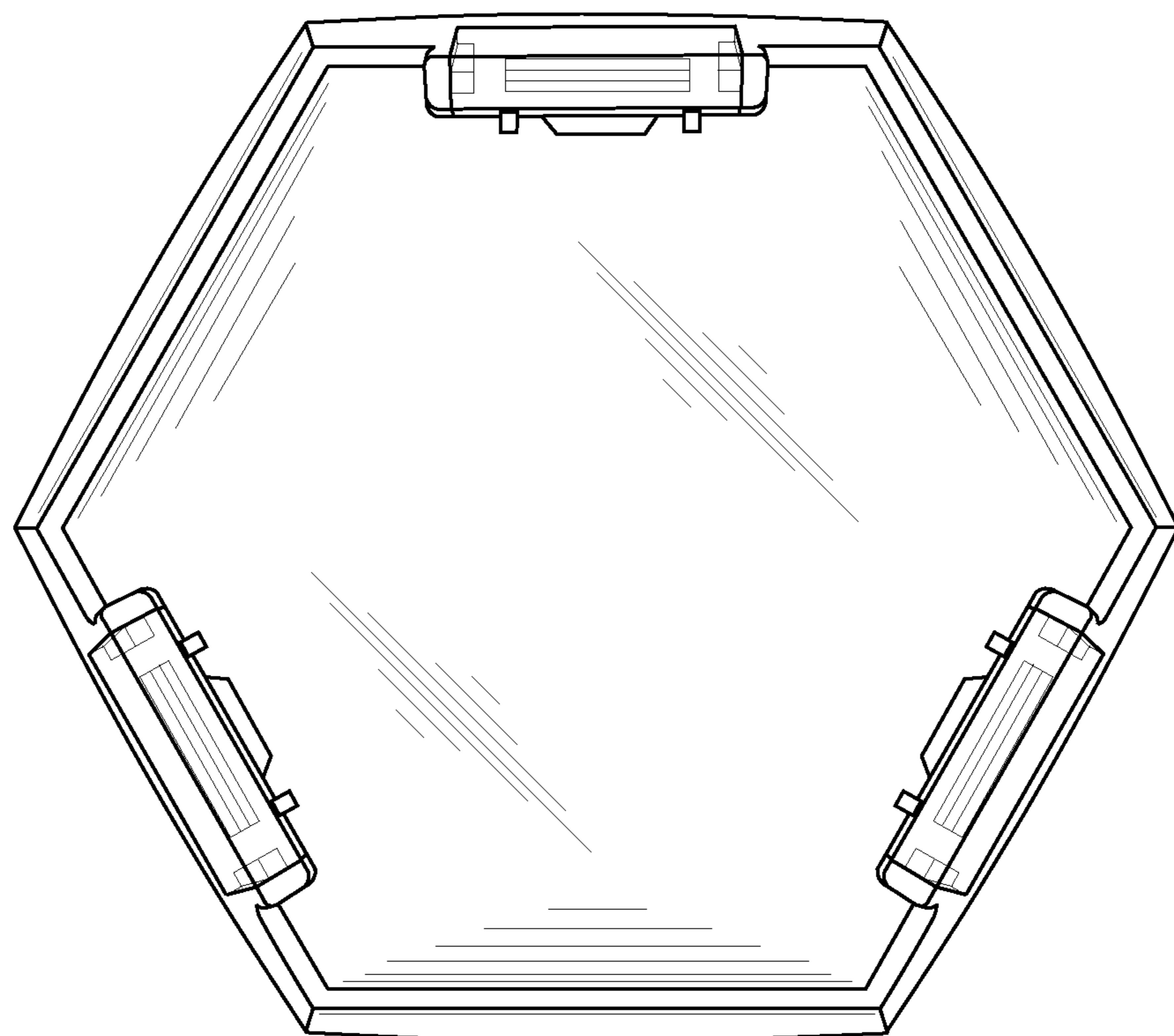


FIG. 3

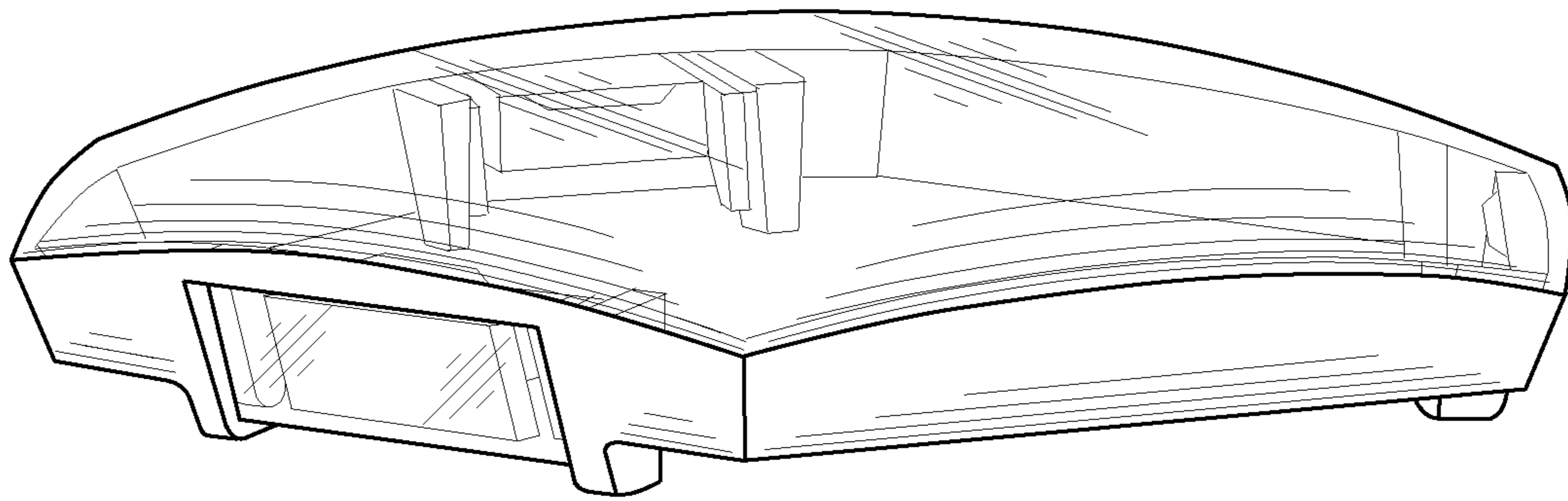


FIG. 4

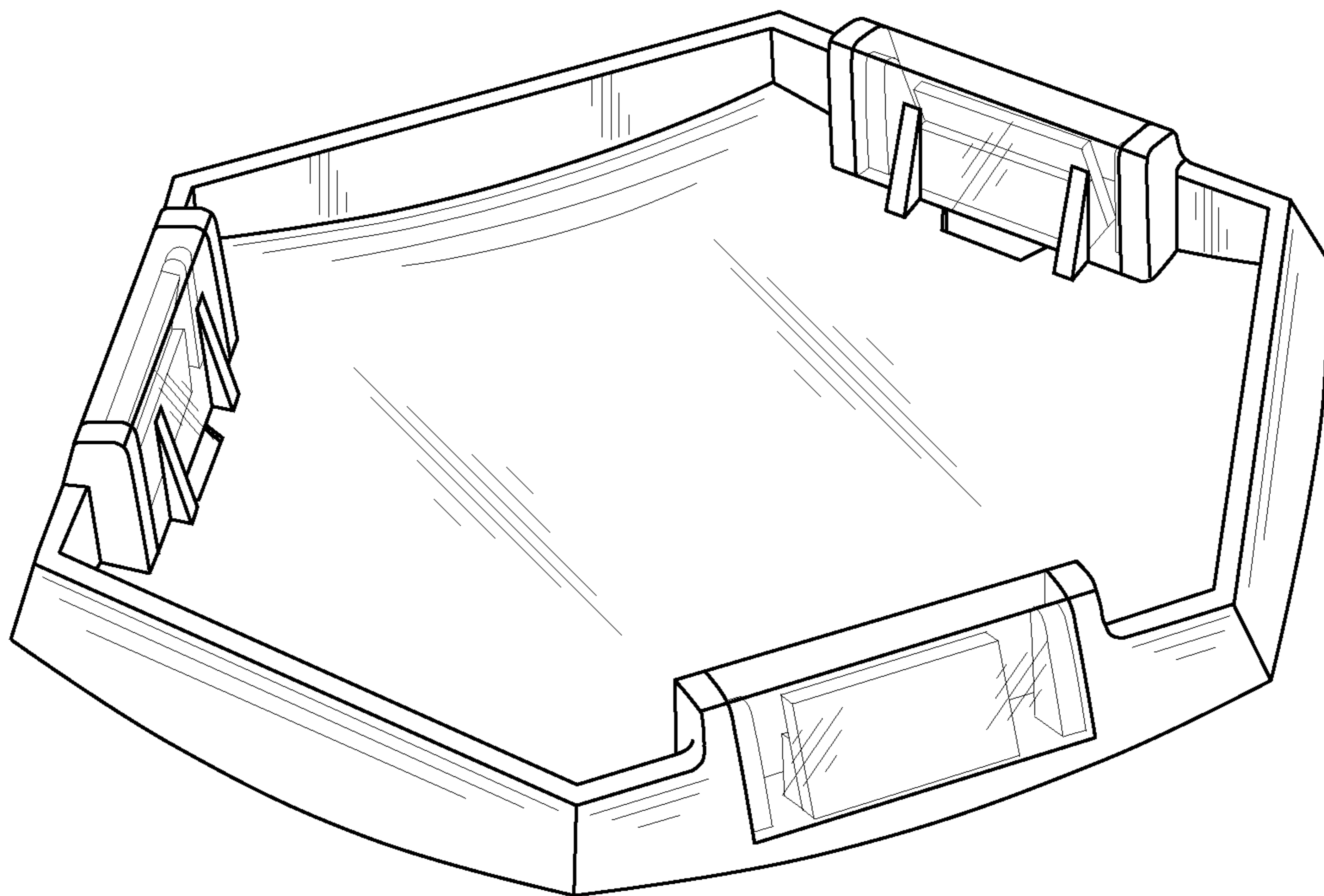


FIG. 5

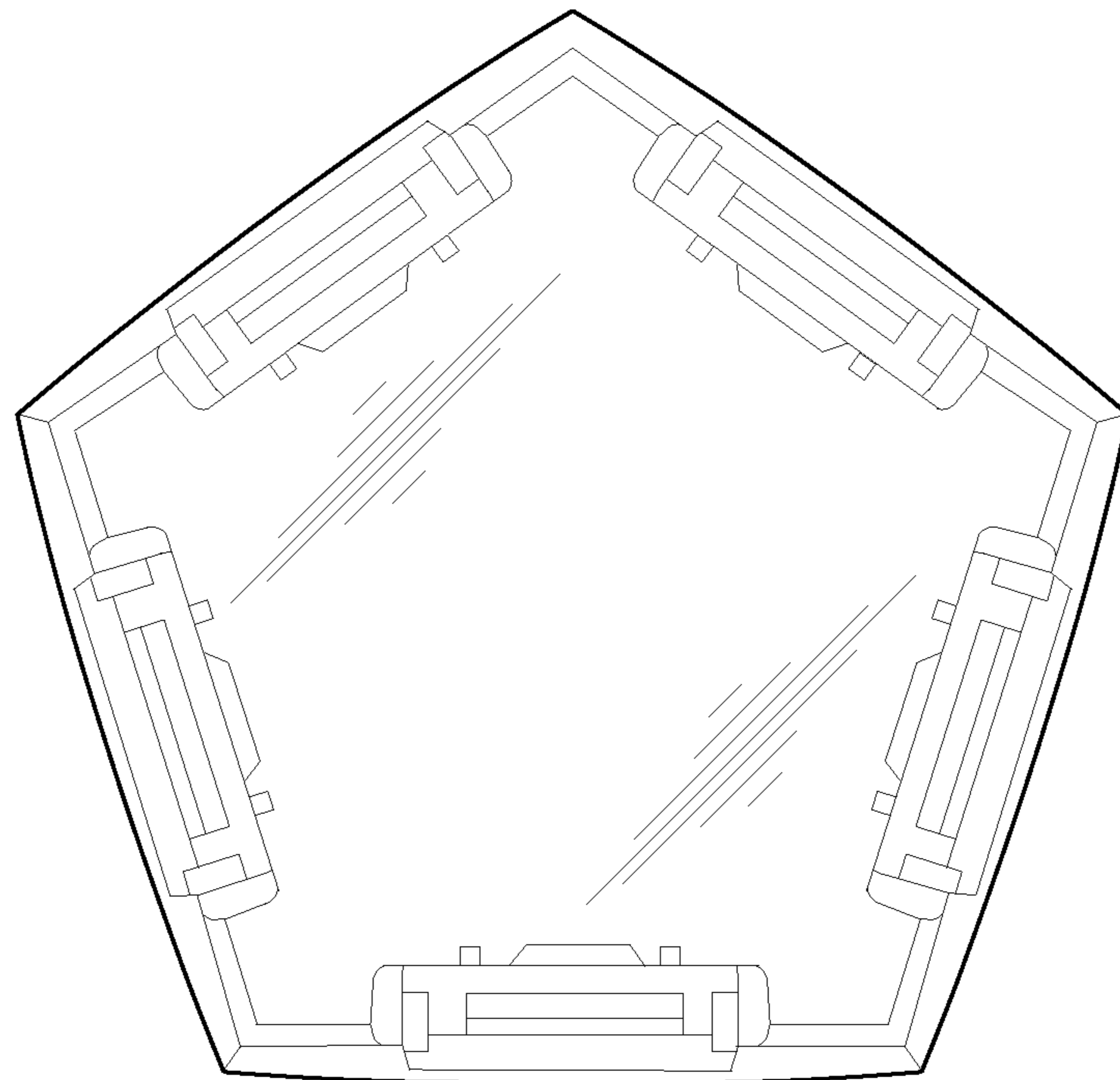


FIG. 6

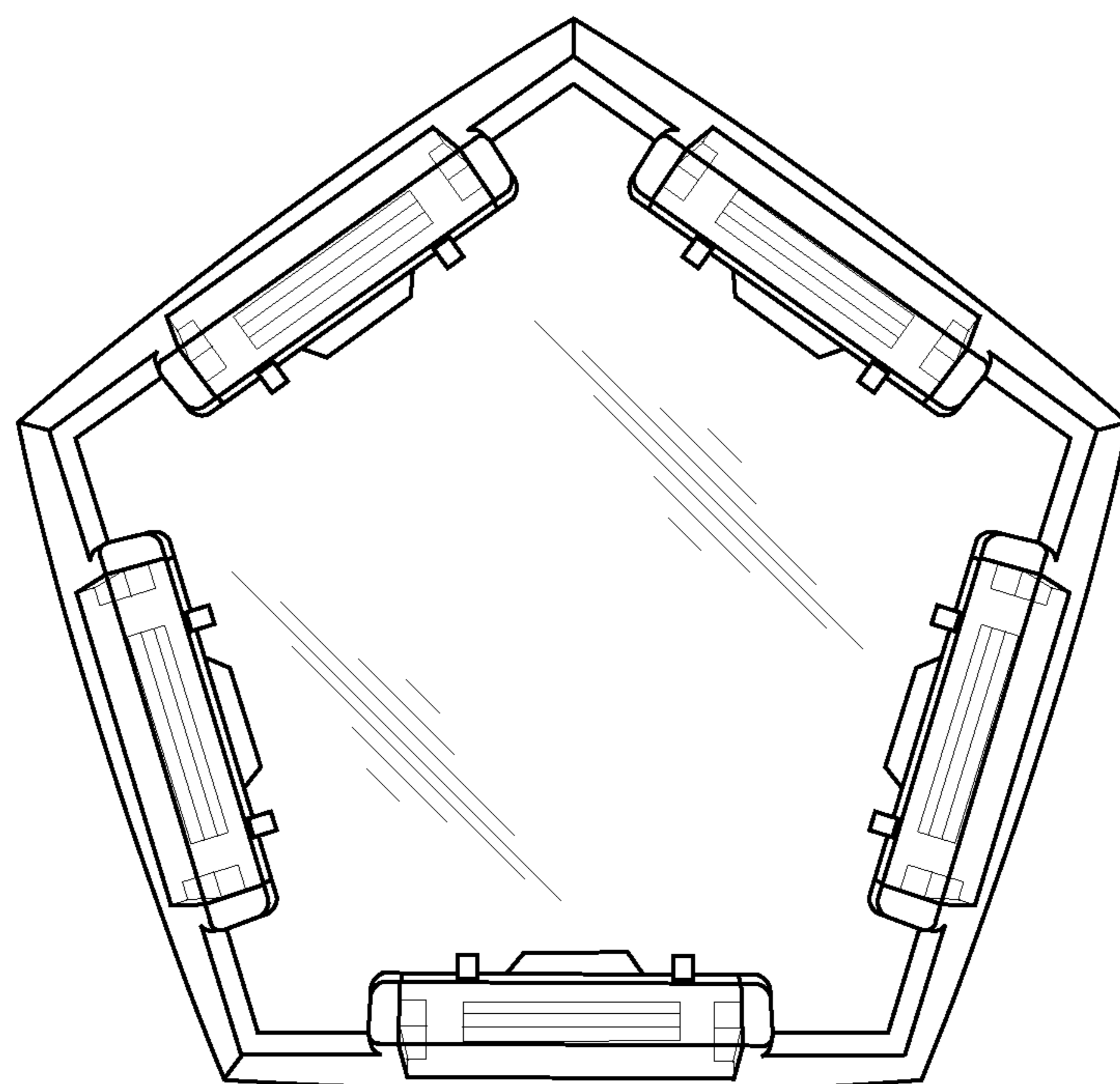


FIG. 7



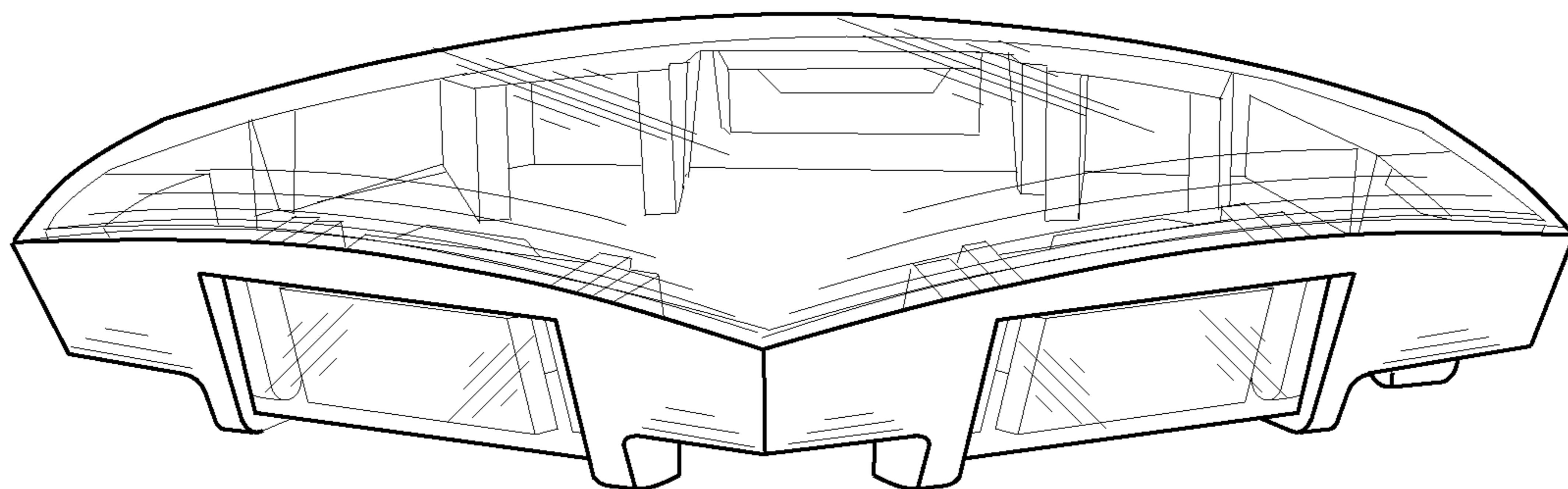


FIG. 8

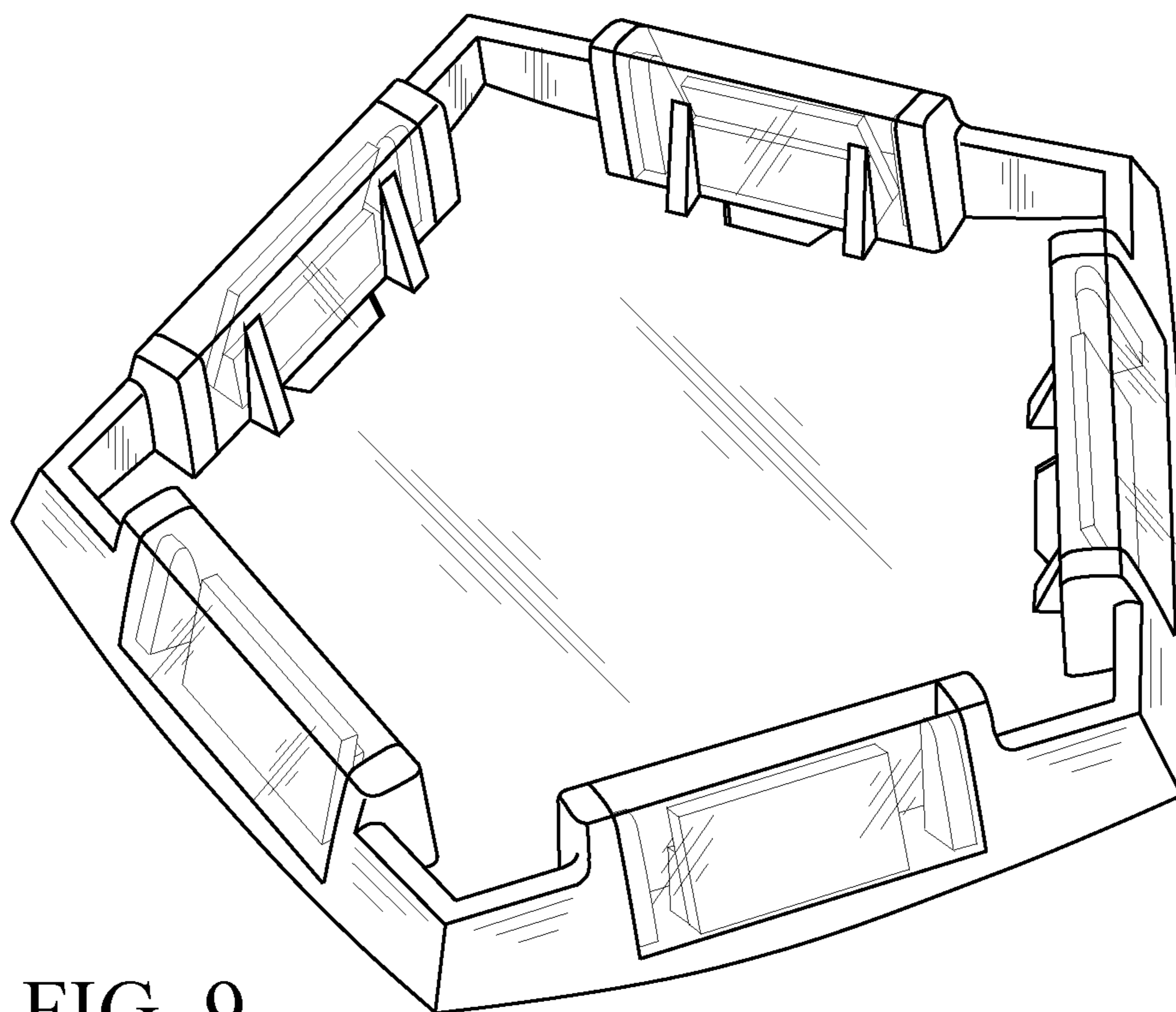


FIG. 9

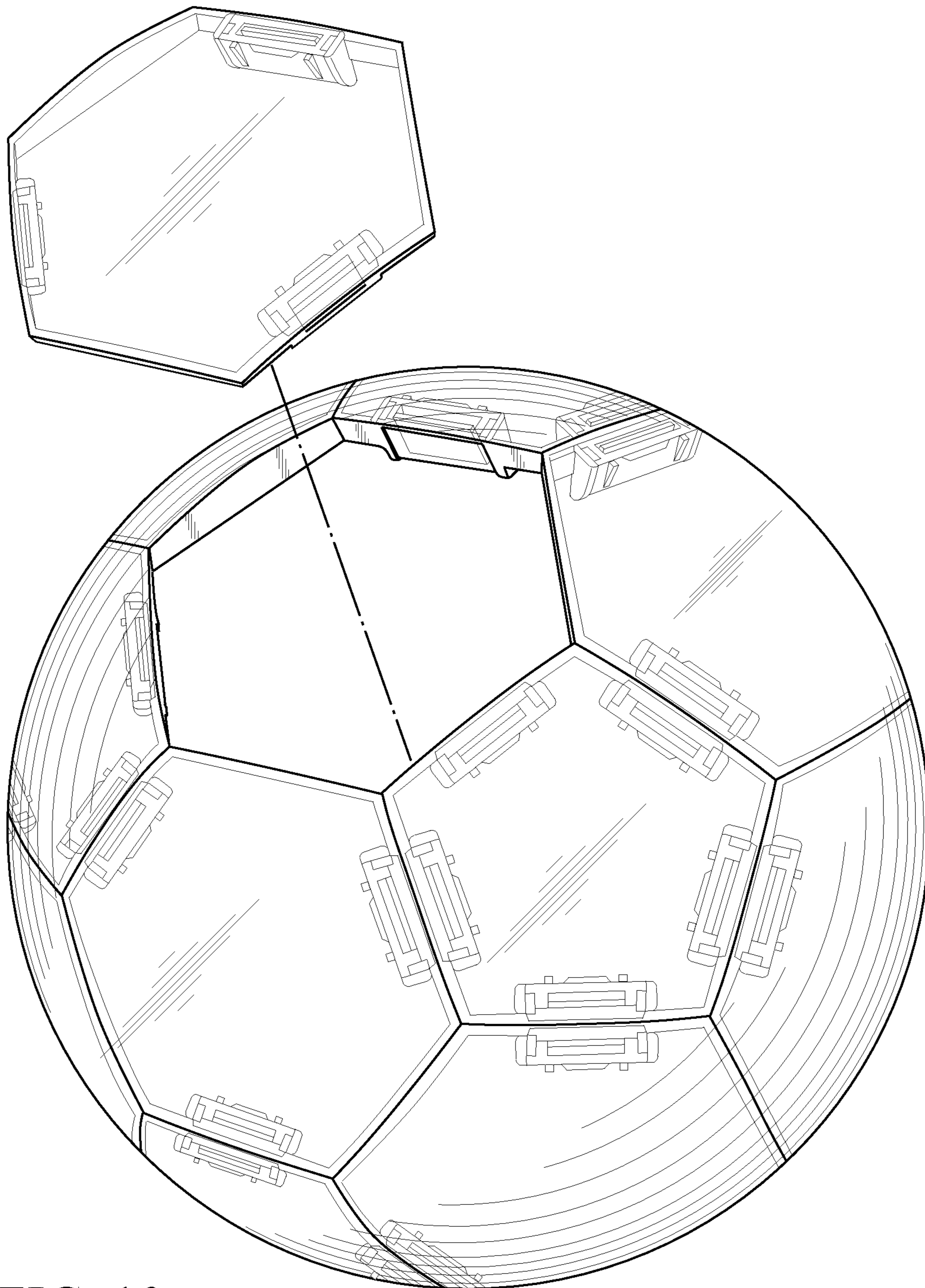


FIG. 10