



US00D885249S

(12) **United States Design Patent**  
Wessel et al.

(10) **Patent No.:** **US D885,249 S**

(45) **Date of Patent:** **\*\* May 26, 2020**

(54) **INCENSE BURNER**

(71) Applicant: **TENNEN LLC**, Phoenix, AZ (US)

(72) Inventors: **Ethan Christopher Wessel**, Phoenix, AZ (US); **Sarah Melinda Wessel**, Phoenix, AZ (US)

(73) Assignee: **TENNEN LLC**, Phoenix, AZ (US)

(\*\*) Term: **15 Years**

(21) Appl. No.: **29/632,712**

(22) Filed: **Jan. 9, 2018**

**Related U.S. Application Data**

(63) Continuation of application No. 29/577,077, filed on Sep. 9, 2016, now Pat. No. Des. 807,226.

(51) **LOC (12) Cl.** ..... **11-02**

(52) **U.S. Cl.**  
USPC ..... **D11/131.1**

(58) **Field of Classification Search**

USPC ..... D11/131.1; D1/103, 127; D19/78, 103;  
D27/104, 134; D28/20

CPC . A24F 15/18; A61L 9/03; A61L 9/122; F21V  
33/0012; F22B 1/284

See application file for complete search history.

(56) **References Cited**

**U.S. PATENT DOCUMENTS**

D373,443 S \* 9/1996 Gottvald ..... D27/189

8,347,511 B2 \* 1/2013 Young ..... B26D 1/0006  
30/303

D716,435 S \* 10/2014 Propes ..... D23/366

D726,895 S \* 4/2015 Takatsuka ..... D23/369

D735,420 S \* 7/2015 Plant ..... D30/121

D735,421 S \* 7/2015 Plant ..... D30/121

D807,226 S \* 1/2018 Wessel ..... D11/131.1

D857,868 S \* 8/2019 Combs ..... D23/365

D861,848 S \* 10/2019 Lee ..... D23/366

**OTHER PUBLICATIONS**

Tennen Tall Cylinder Burner [Oct. 5, 2019] found online [Oct. 5, 2019]—<https://www.tennen.co/burners/tall-cylinder-burner-wood-satin-brass>.\*

\* cited by examiner

*Primary Examiner* — Lakiya G Rogers

*Assistant Examiner* — John A Voytek

(74) *Attorney, Agent, or Firm* — Greenberg Traurig, LLP

(57) **CLAIM**

We claim the ornamental design for an incense burner, as shown and described.

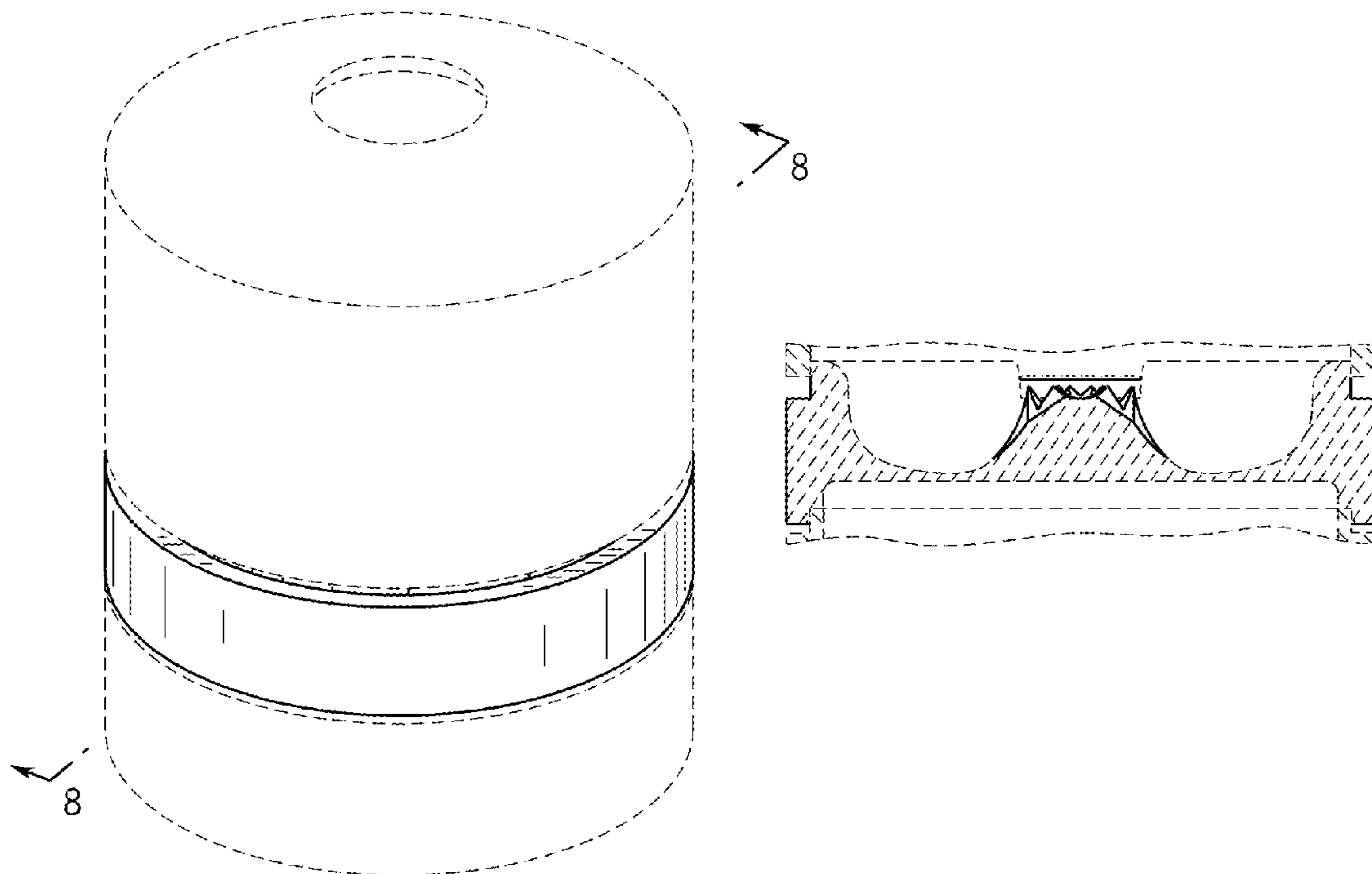
**DESCRIPTION**

FIG. 1 is a perspective view of an incense burner; FIG. 2 is a front view of the incense burner of FIG. 1; FIG. 3 is a rear view of the incense burner of FIG. 1; FIG. 4 is a side view of the incense burner of FIG. 1; FIG. 5 is a side view of the incense burner of FIG. 1; FIG. 6 is a top side view of the incense burner of FIG. 1; FIG. 7 is a bottom side view of the incense burner of FIG. 1; and,

FIG. 8 is a partial cross-sectional view of the incense burner of FIG. 1.

The features shown in broken lines depict environmental subject matter only and form no part of the claimed design.

**1 Claim, 4 Drawing Sheets**



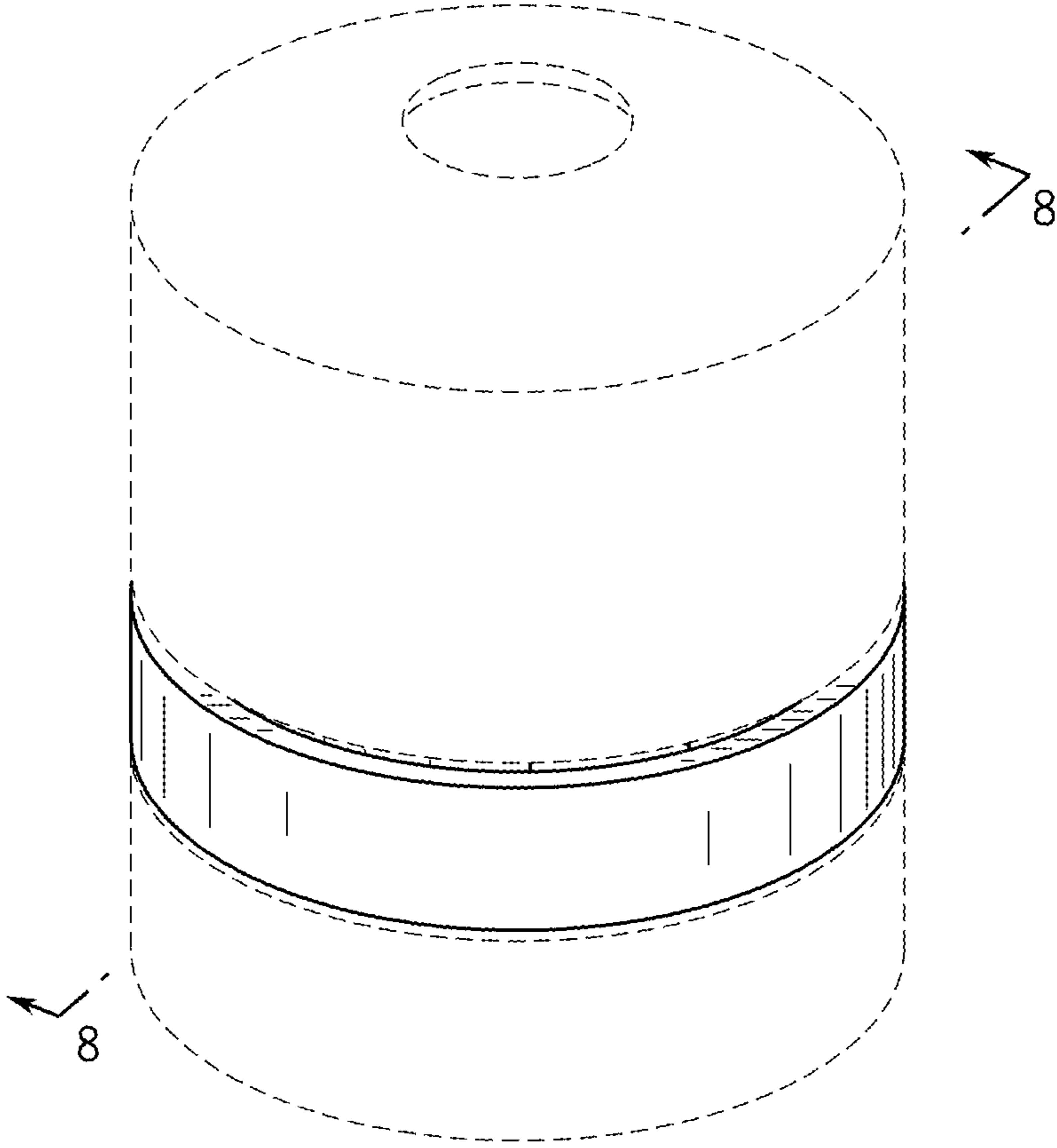


FIG. 1

FIG. 2

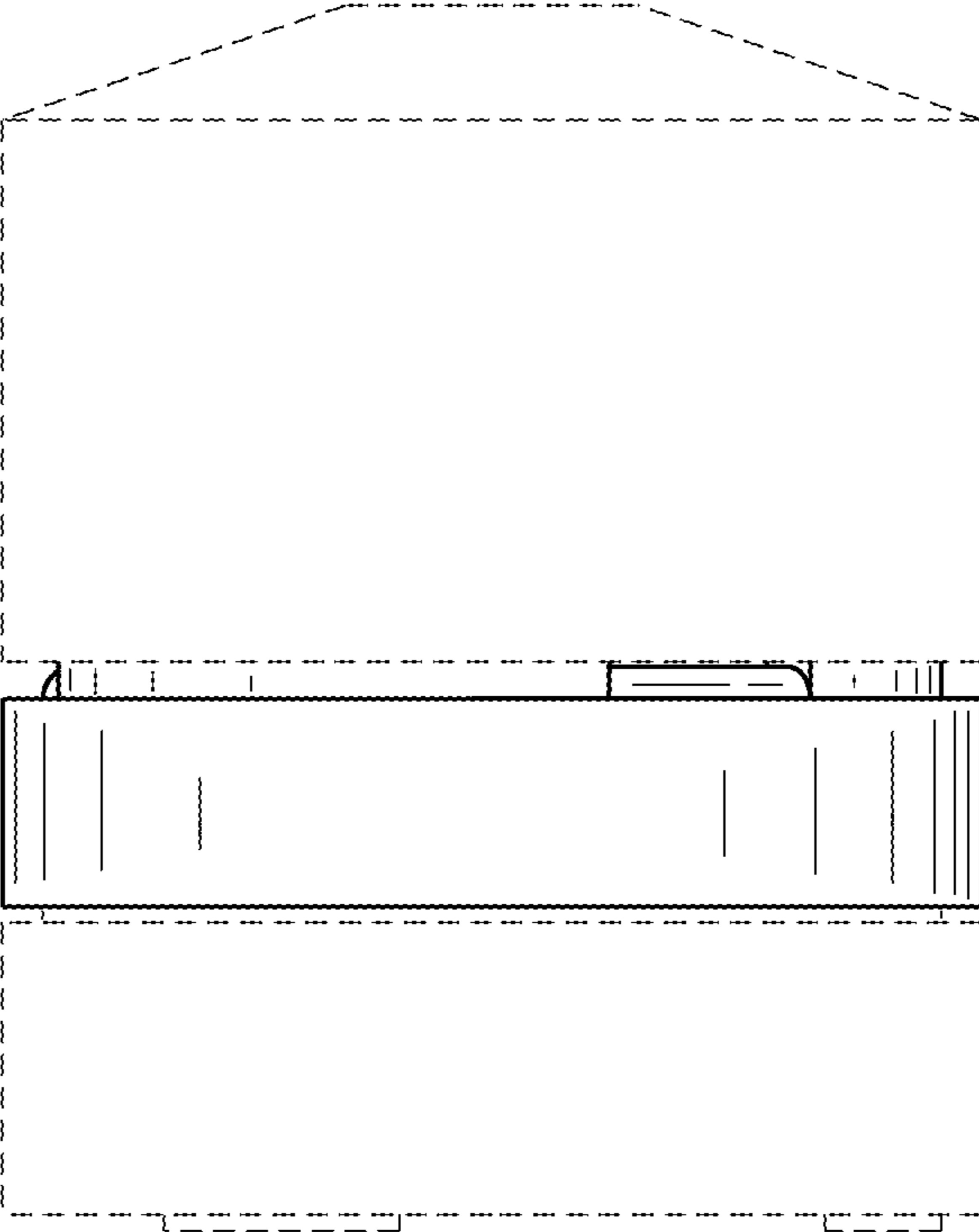


FIG. 3

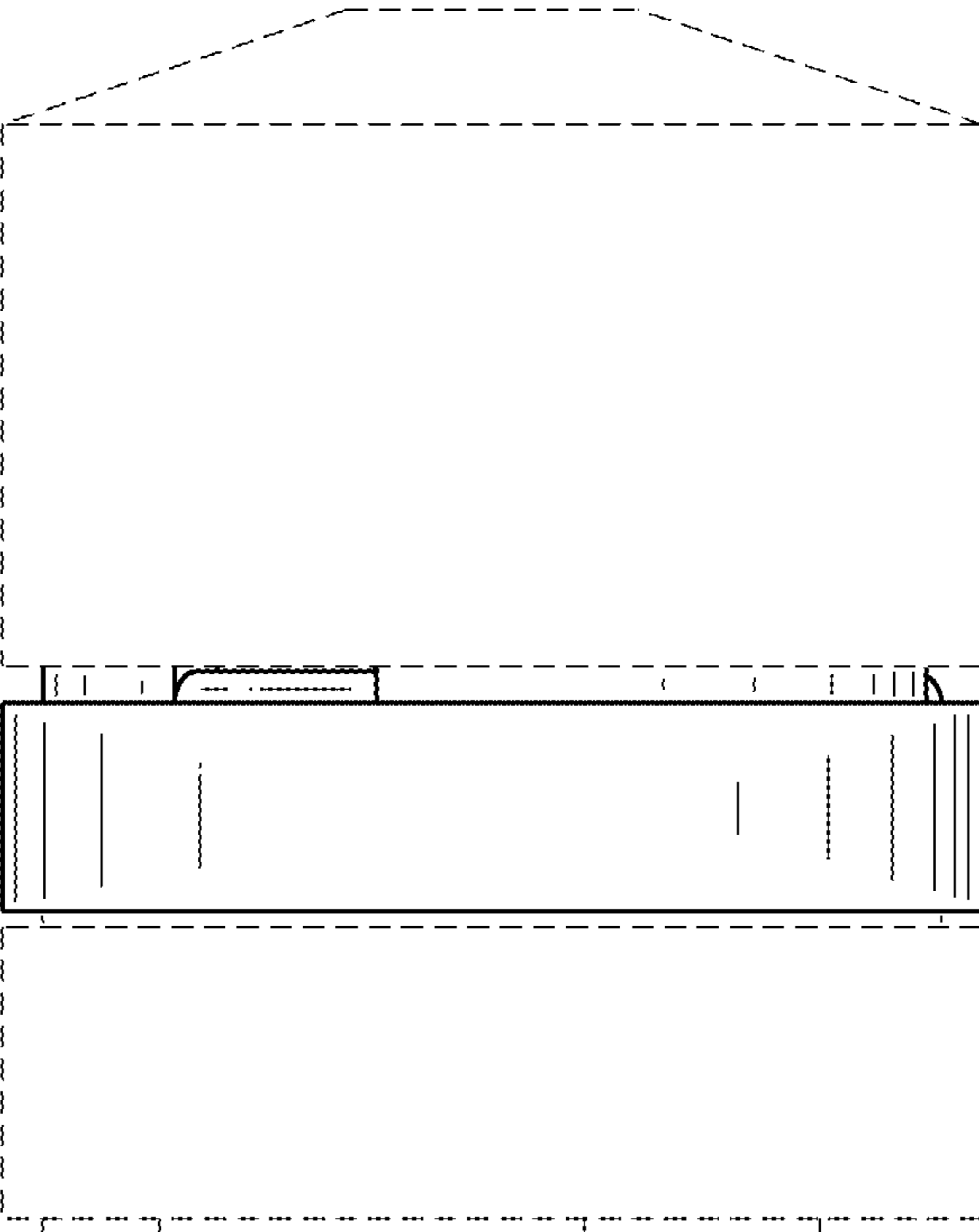


FIG. 4

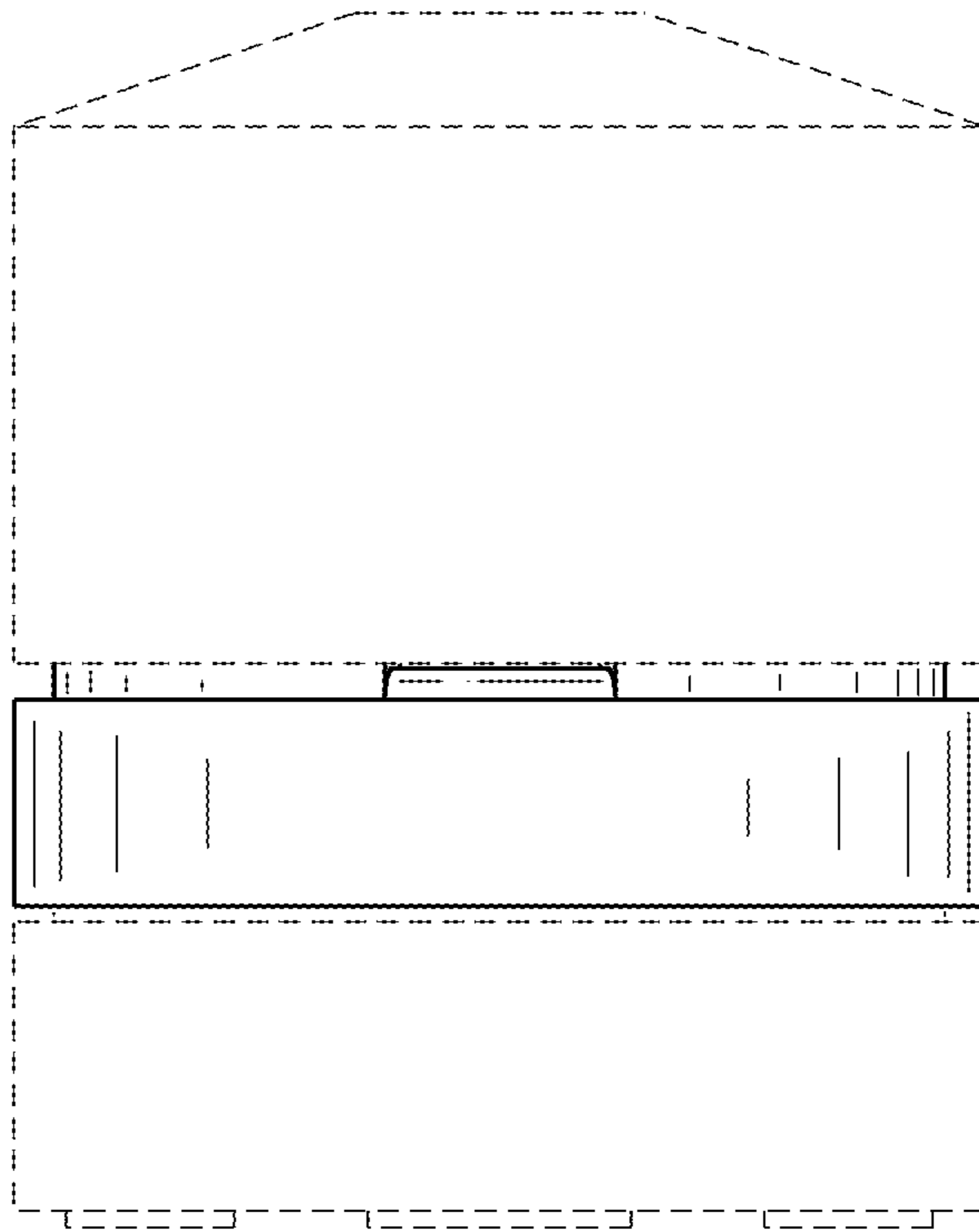
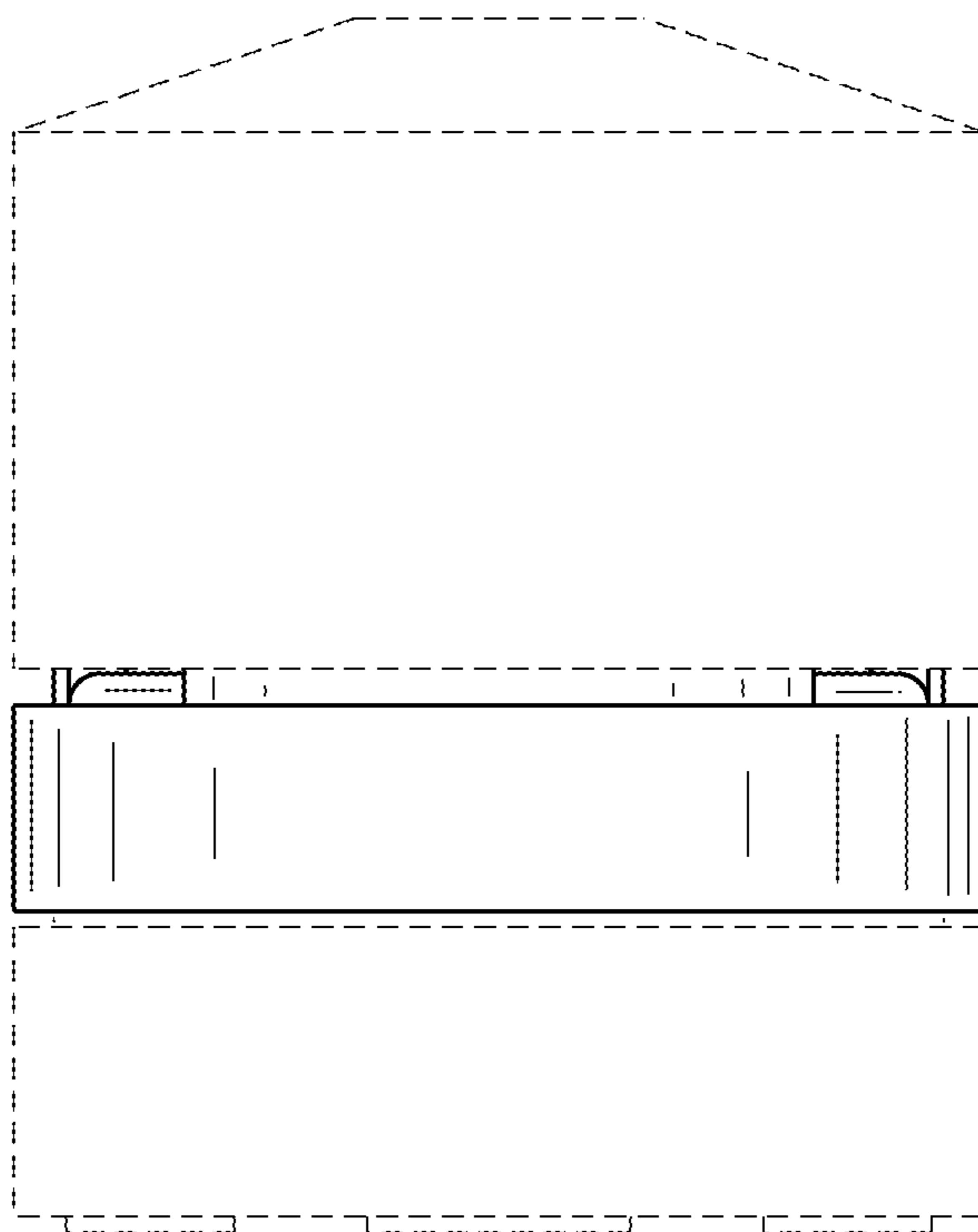


FIG. 5



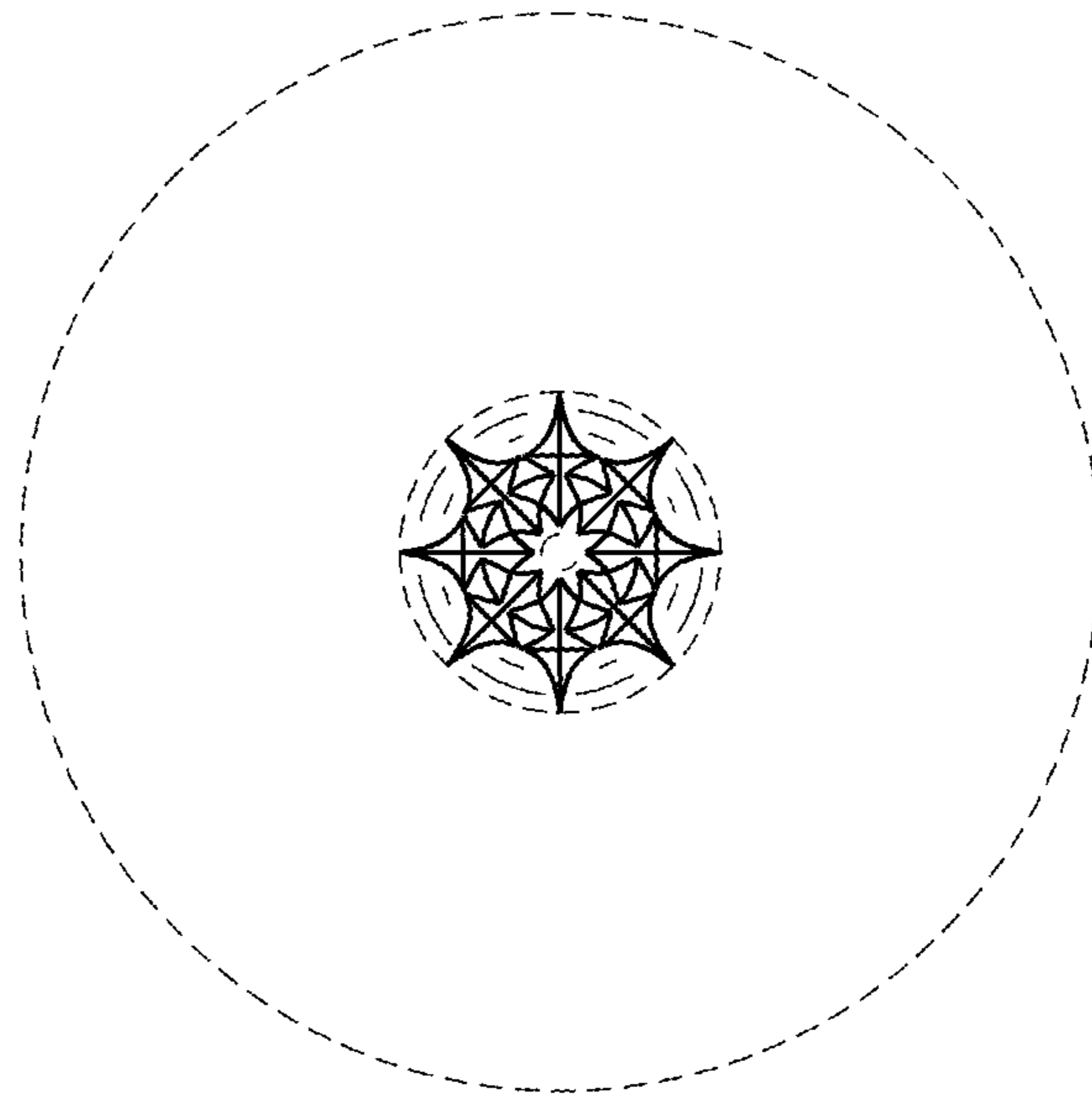


FIG. 6

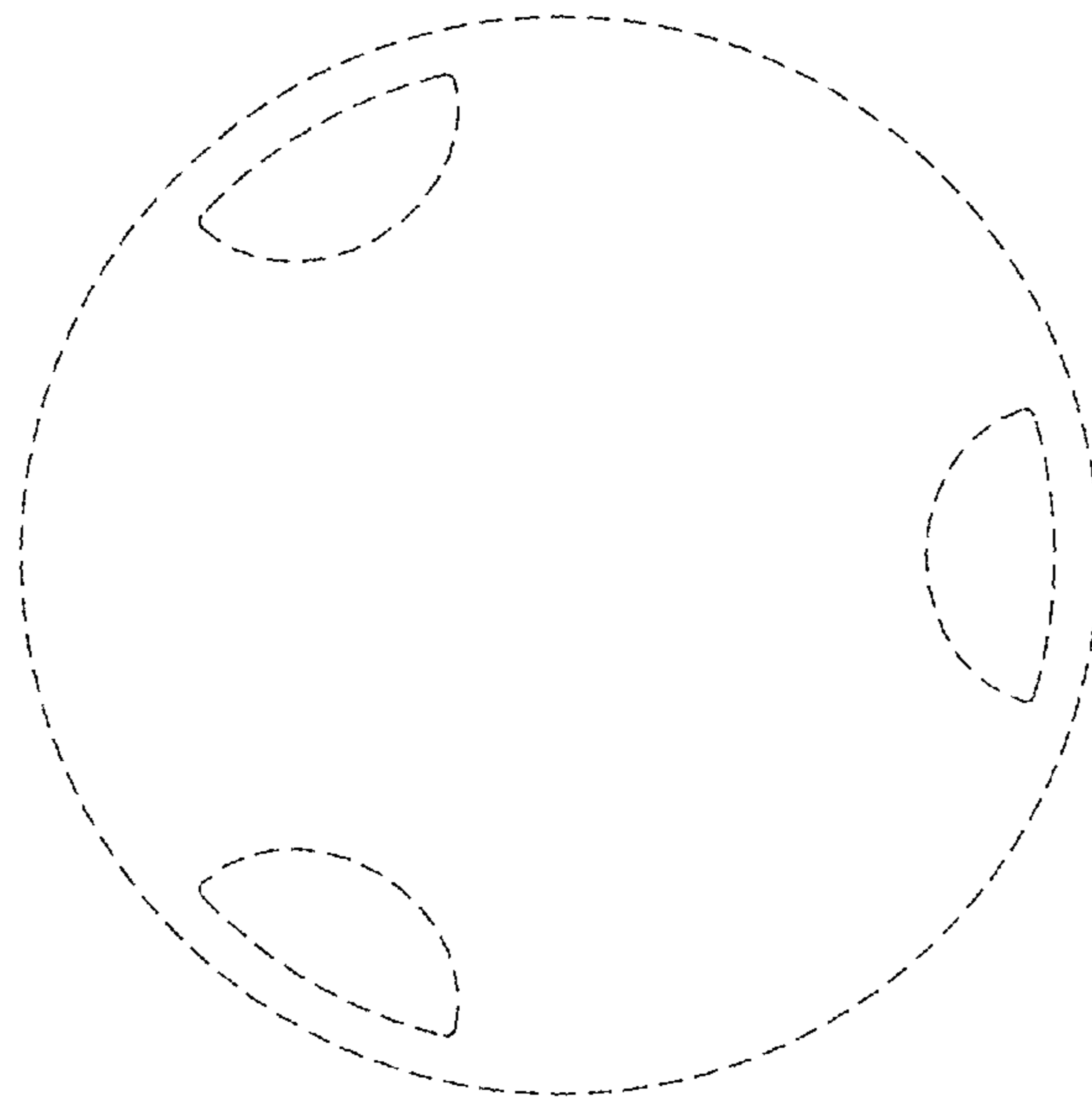


FIG. 7

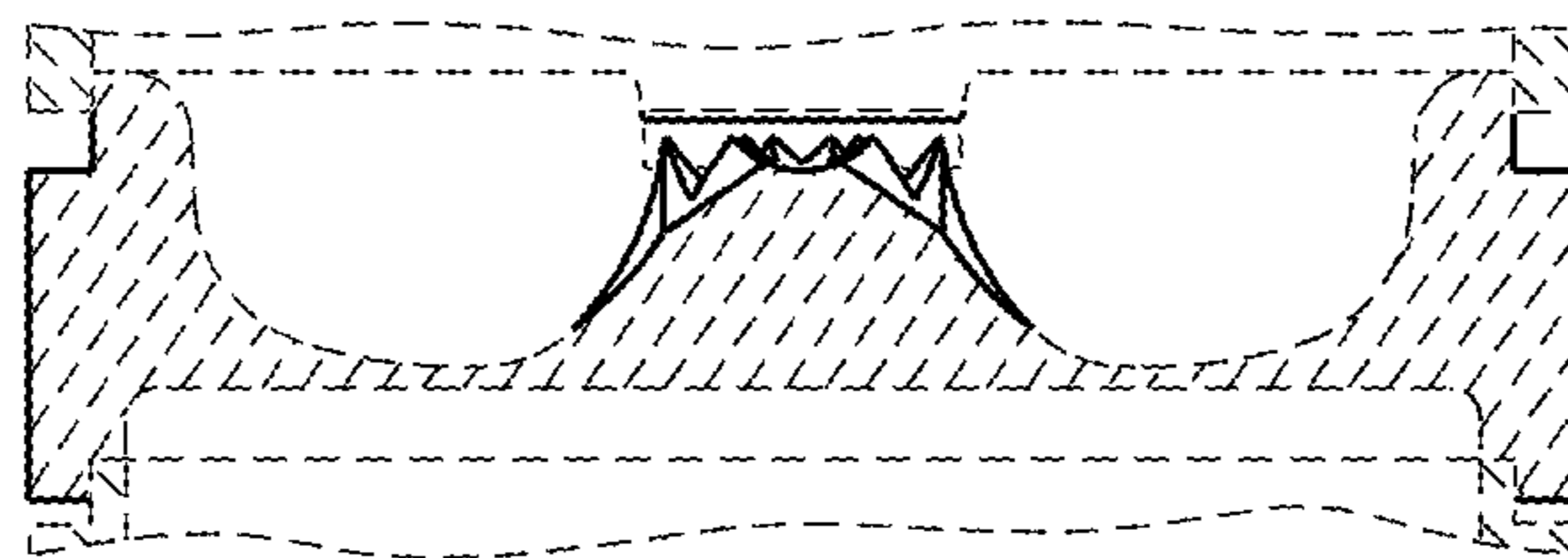


FIG. 8