



US00D885246S

(12) **United States Design Patent** (10) **Patent No.:** **US D885,246 S**
Shah (45) **Date of Patent:** **** May 26, 2020**

(54) **PRECIOUS STONE SETTING**
(71) Applicant: **KGS Jewels Inc.**, New York, NY (US)
(72) Inventor: **Pranav Shah**, New York, NY (US)
(73) Assignee: **KGS JEWELS INC.**, New York, NY (US)
(**) Term: **15 Years**
(21) Appl. No.: **29/698,532**
(22) Filed: **Jul. 17, 2019**

Related U.S. Application Data

(62) Division of application No. 29/656,883, filed on Jul. 17, 2018.
(51) **LOC (12) Cl.** **11-01**
(52) **U.S. Cl.**
USPC **D11/91**
(58) **Field of Classification Search**
USPC D11/1-3, 26, 34-37, 40, 41, 43, 79, 90, D11/91, 92
CPC A44C 1/00; A44C 17/00; A44C 17/001; A44C 17/002; A44C 17/005; A44C 17/006; A44C 17/007; A44C 17/02; A44C 17/04; A44C 9/00
See application file for complete search history.

D505,092 S 5/2005 Kothari
D544,809 S 6/2007 Shah
D549,128 S * 8/2007 Kothari D11/91
D549,612 S 8/2007 Kothari
D584,184 S 1/2009 Dholakiya
D587,159 S 2/2009 Dholakiya
7,707,722 B1 5/2010 Kothari
D647,423 S 10/2011 Khimavat
D647,817 S 11/2011 Kothari
D655,219 S * 3/2012 Kothari D11/40
D666,522 S * 9/2012 Dholakiya D11/34
D666,523 S * 9/2012 Dholakiya D11/34
D672,270 S 12/2012 Wong
D674,315 S 1/2013 Dholakiya
D674,316 S 1/2013 Dholakiya
D676,352 S 2/2013 Dholakiya
D676,785 S 2/2013 Kothari
D680,898 S 4/2013 Dholakiya
D682,139 S * 5/2013 Kothari D11/40
D688,587 S 8/2013 Nevatia
D697,451 S * 1/2014 Dholakiya D11/91
D705,115 S * 5/2014 Doron D11/92
D798,761 S * 10/2017 Shah D11/91
D824,799 S 8/2018 Sallard
D840,263 S * 2/2019 Matatov D11/91

(Continued)

Primary Examiner — Llorellys Martinez
(74) *Attorney, Agent, or Firm* — Ostrolenk Faber LLP

(57) **CLAIM**

The ornamental design for a precious stone setting, as shown and described.

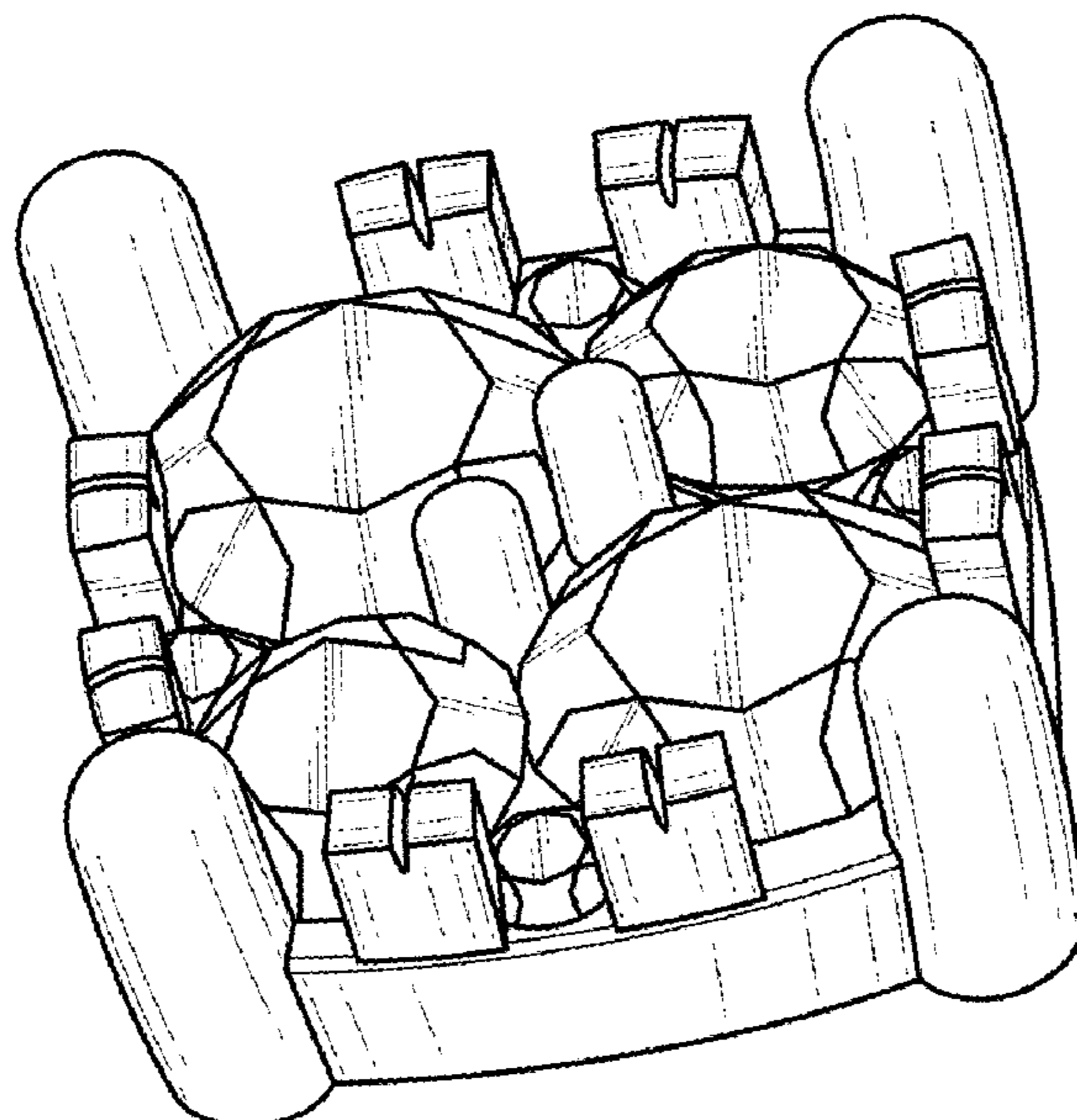
DESCRIPTION

FIG. 1 is a perspective view of a precious stone setting showing my new design;
FIG. 2 is a top plan view of FIG. 1;
FIG. 3 is a front view of FIG. 1, the rear view being symmetrical thereto; and,
FIG. 4 is a right side view of FIG. 1, the left side view being symmetrical thereto.

1 Claim, 1 Drawing Sheet

(56) **References Cited**
U.S. PATENT DOCUMENTS

D191,757 S 11/1961 Jacobi et al.
D410,407 S 6/1999 Tirakian
D422,935 S 4/2000 Chan
D453,908 S 2/2002 Kaplan
D454,090 S 3/2002 Kaplan
D460,017 S 7/2002 Chan
D481,328 S 10/2003 Chia



(56)

References Cited

U.S. PATENT DOCUMENTS

D840,866 S 2/2019 Parikh
D849,594 S * 5/2019 Pereira D11/92
2019/0008244 A1 1/2019 Rutgeron
2019/0343248 A1* 11/2019 Shah A44C 17/046

* cited by examiner

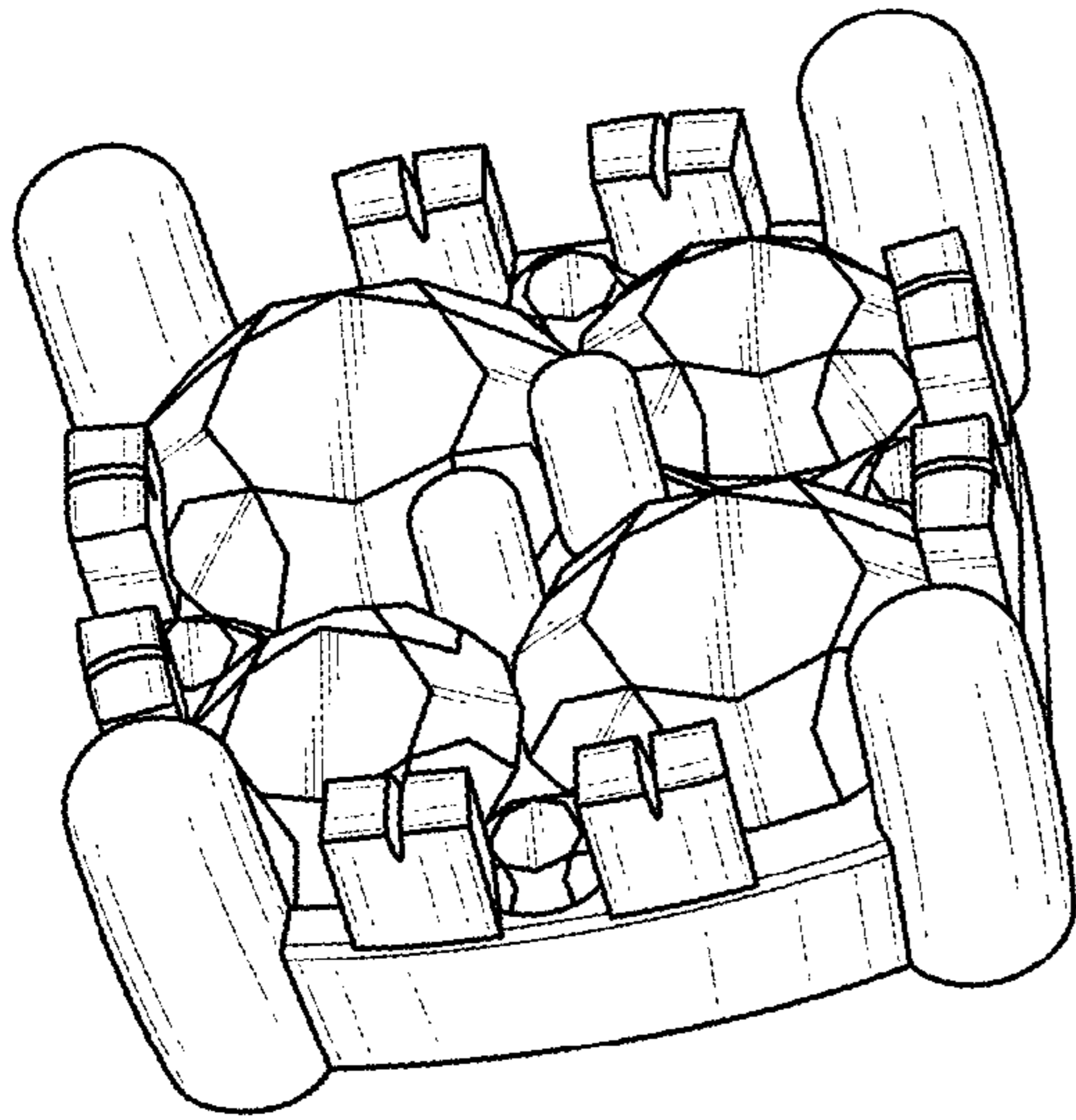


FIG. 1

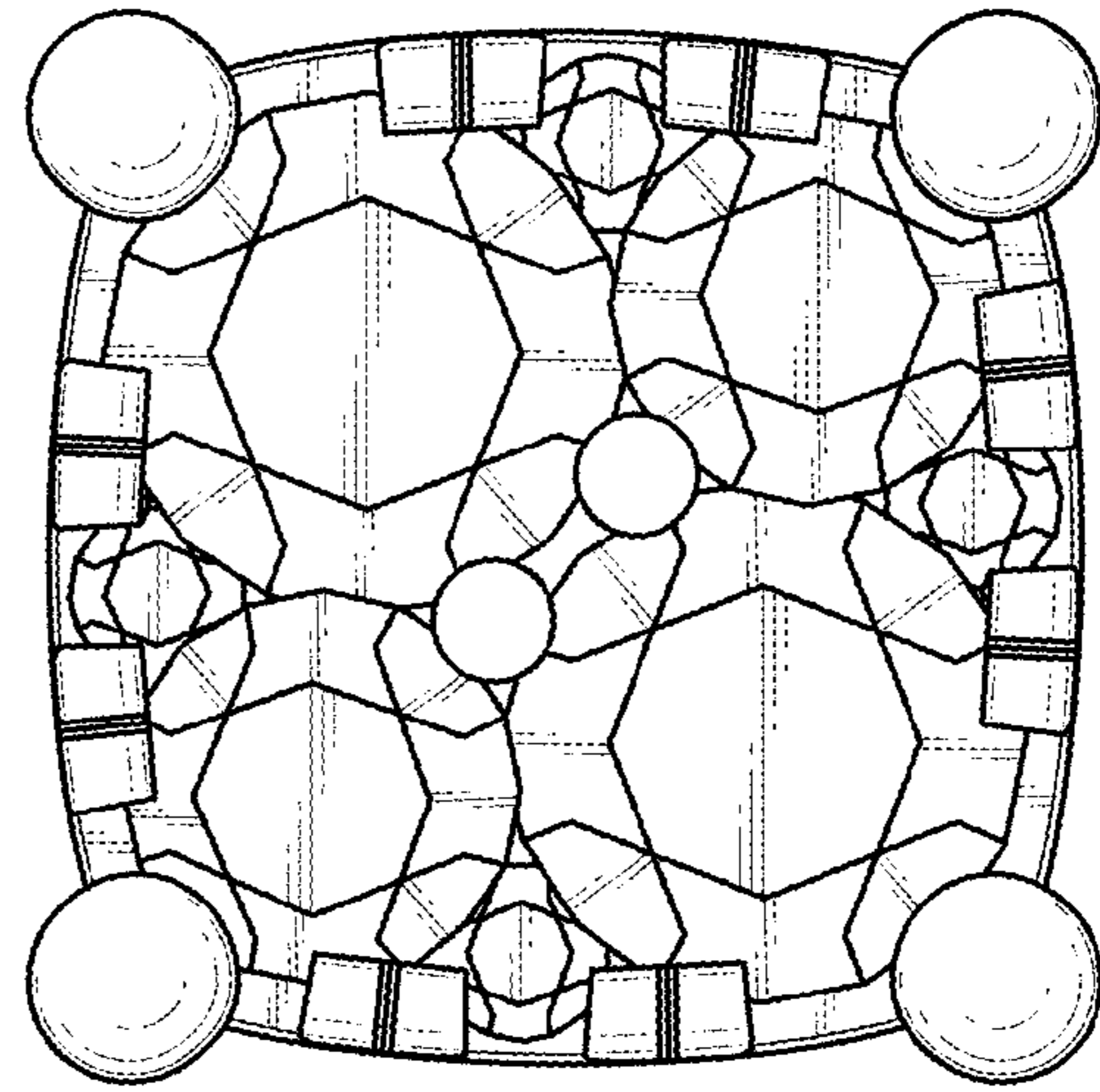


FIG. 2

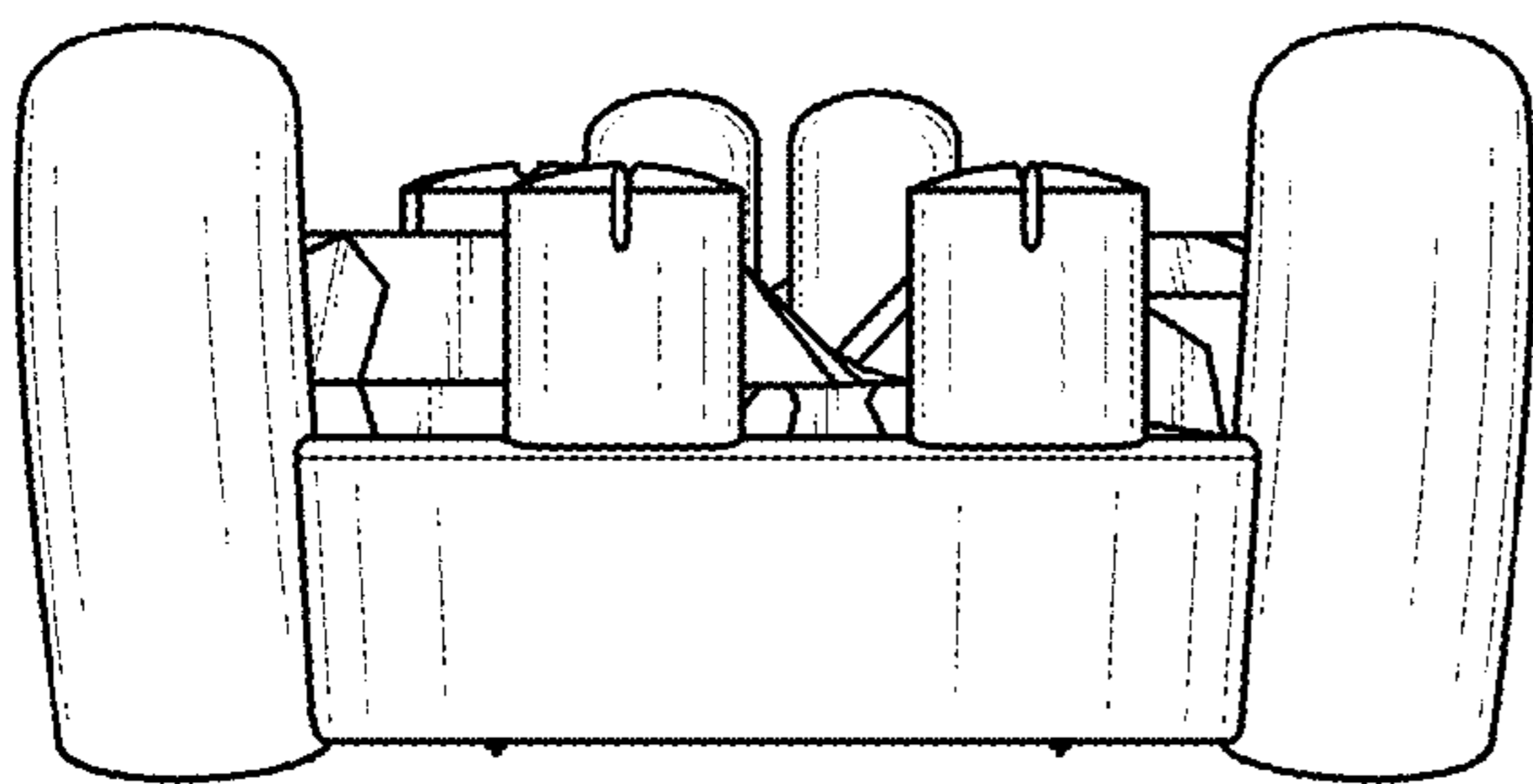


FIG. 3

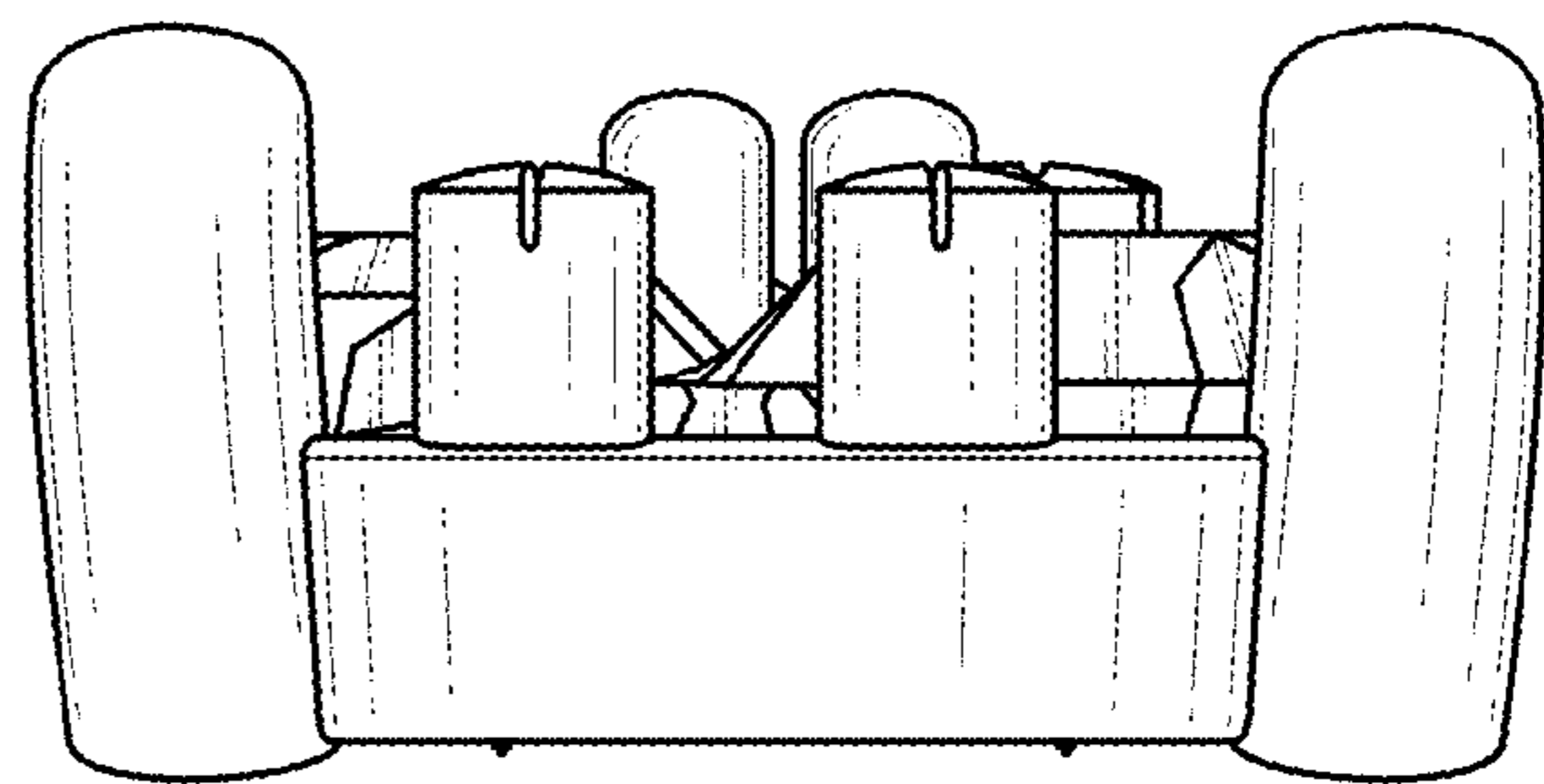


FIG. 4