



US00D885244S

(12) **United States Design Patent** (10) **Patent No.:** **US D885,244 S**  
**Mehta** (45) **Date of Patent:** **\*\* May 26, 2020**

(54) **MARQUISE CUT PRECIOUS STONE**

FOREIGN PATENT DOCUMENTS

(71) Applicant: **P. D. MEHTA EXPORT LLP,**  
Mumbai (IN)

EMRGN-005301041-0002 \* 6/2018

(72) Inventor: **Punit D. Mehta,** Mumbai (IN)

OTHER PUBLICATIONS

(73) Assignee: **P. D. MEHTA EXPORT LLP,**  
Mumbai (IN)

Diamond Cits (available online) Retrieved from the internet Jan. 14, 2020 from URL: <https://www.debeers.com/diamond-expertise/diamond-education/diamond-cuts/>.\*

(\*\*) Term: **15 Years**

\* cited by examiner

(21) Appl. No.: **29/647,555**

*Primary Examiner* — Kevin K Rudzinski

*Assistant Examiner* — Richard Kearney

(22) Filed: **May 14, 2018**

(74) *Attorney, Agent, or Firm* — Ostrolenk Faber LLP

(51) **LOC (12) Cl.** ..... **11-01**

(52) **U.S. Cl.**  
USPC ..... **D11/90**

(57) **CLAIM**

The ornamental design for a marquise cut precious stone, as shown and described.

(58) **Field of Classification Search**

USPC ..... D11/1, 2, 16, 26–29, 34, 35, 36, 56,  
D11/89–92, 103

CPC ..... A44C 17/00; A44C 17/001; A44C 17/002;  
A44C 17/003; A44C 17/005; A44C  
17/006; A44C 17/007; A44C 17/008

**DESCRIPTION**

See application file for complete search history.

FIG. 1 is a perspective view of a marquise cut precious stone, showing my new design.

FIG. 2 is another perspective view of the marquise cut precious stone of FIG. 1.

FIG. 3 is a top view of FIG. 1.

FIG. 4 is a bottom view of FIG. 1.

FIG. 5 is a front view of FIG. 1.

FIG. 6 is a rear view of FIG. 1.

FIG. 7 is a left side view of FIG. 1, the right side being a mirror image thereof.

FIG. 8 is a perspective view of a marquise cut precious stone, showing my design with a smooth continuous girdle surface.

FIG. 9 is a top view of FIG. 8.

FIG. 10 is a bottom view of FIG. 8.

FIG. 11 is a front view of FIG. 8, with the rear view being symmetrical; and,

FIG. 12 is a left side view of FIG. 8, the right side being a mirror image thereof.

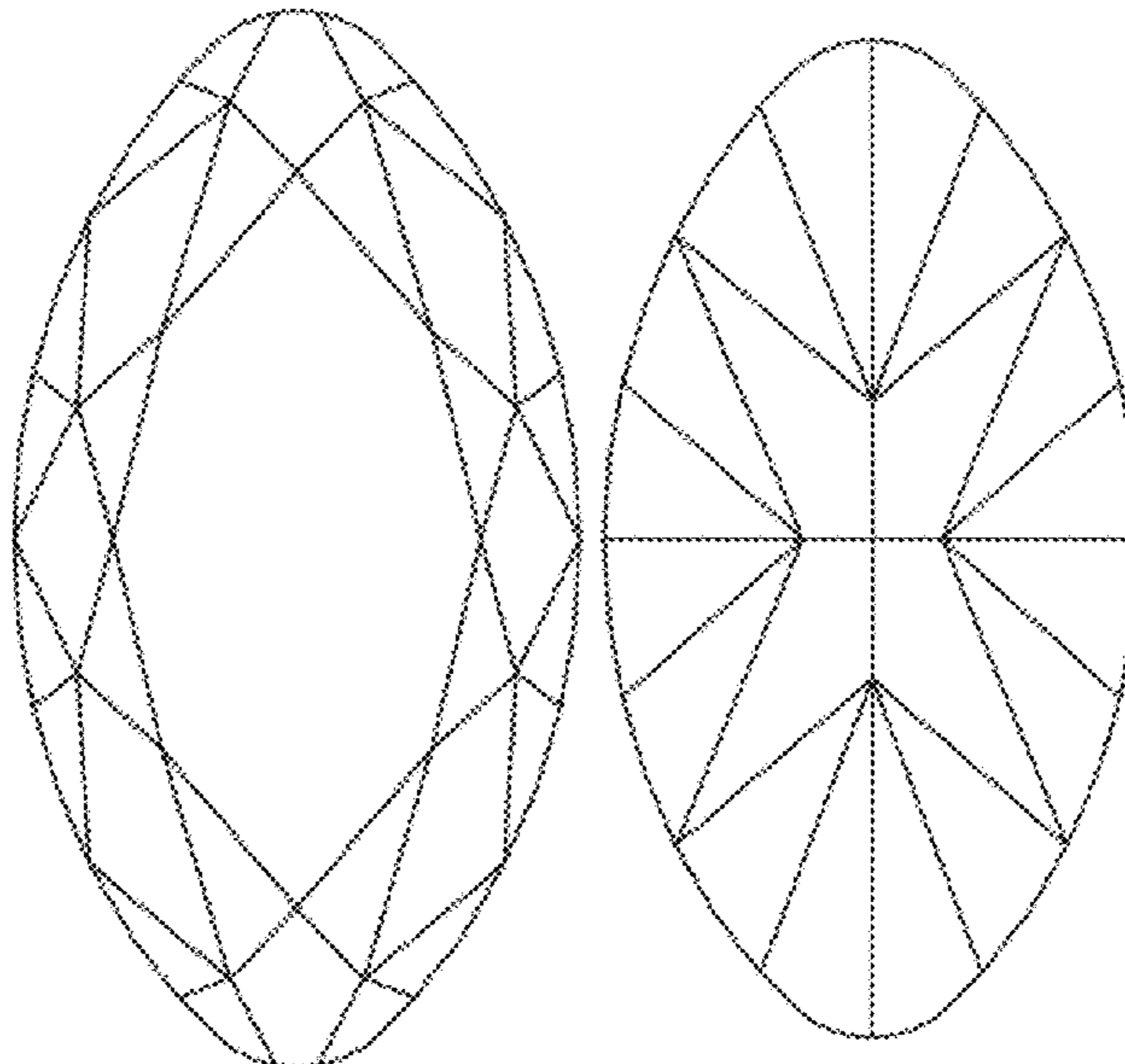
(56) **References Cited**

U.S. PATENT DOCUMENTS

D447,978 S *	9/2001	Stern	.....	D11/90
D459,268 S *	6/2002	Goldberg	.....	D11/90
D460,015 S *	7/2002	Namdar	.....	D11/90
D491,094 S *	6/2004	Mehta	.....	D11/90
D498,170 S *	11/2004	Mehta	.....	D11/90
D501,152 S *	1/2005	Tolkowsky	.....	D11/90
D639,699 S *	6/2011	Kejajian	.....	D11/90
D647,816 S *	11/2011	Ehrenstrasser	.....	D11/90
D647,817 S *	11/2011	Kothari	.....	D11/40
D843,876 S *	3/2019	Rydliewicz	.....	D11/89
2011/0265514 A1 *	11/2011	Fakier	.....	A44C 17/001

63/12

**1 Claim, 8 Drawing Sheets**



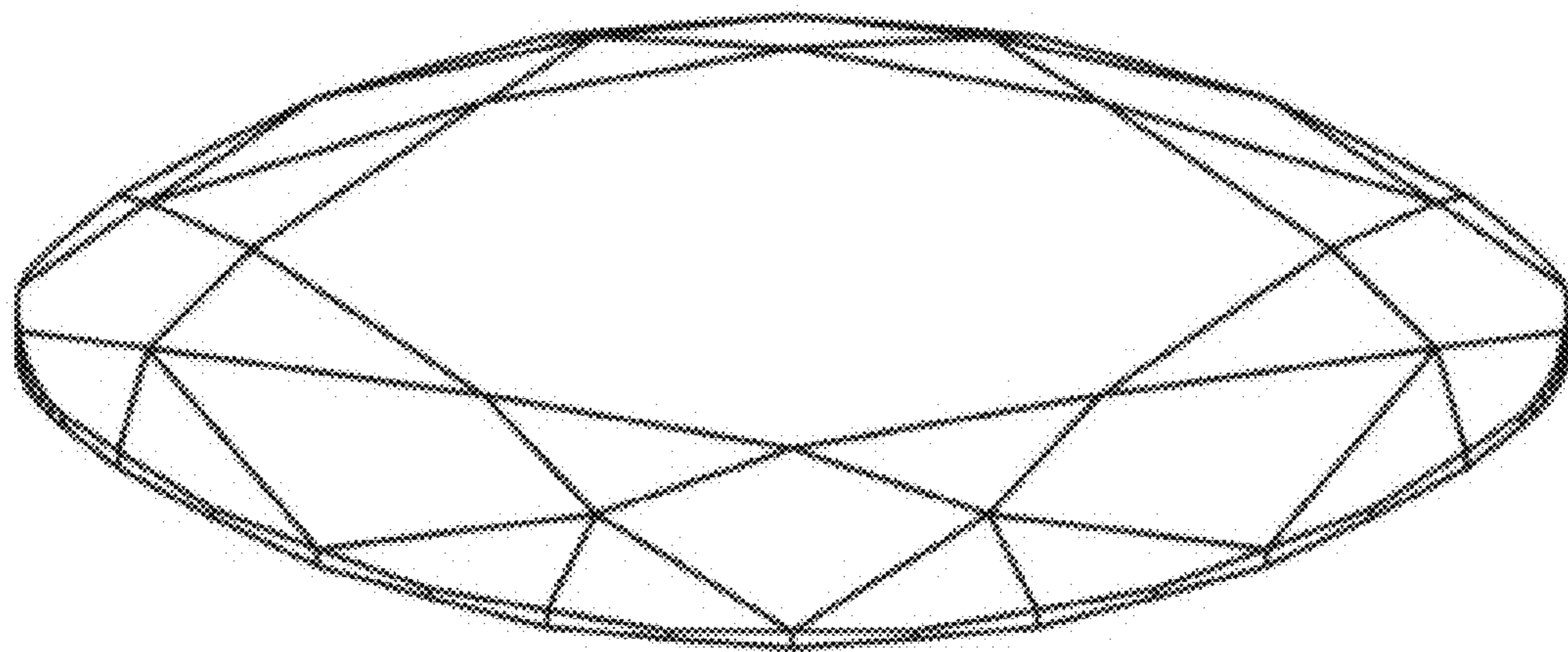


Fig. 1

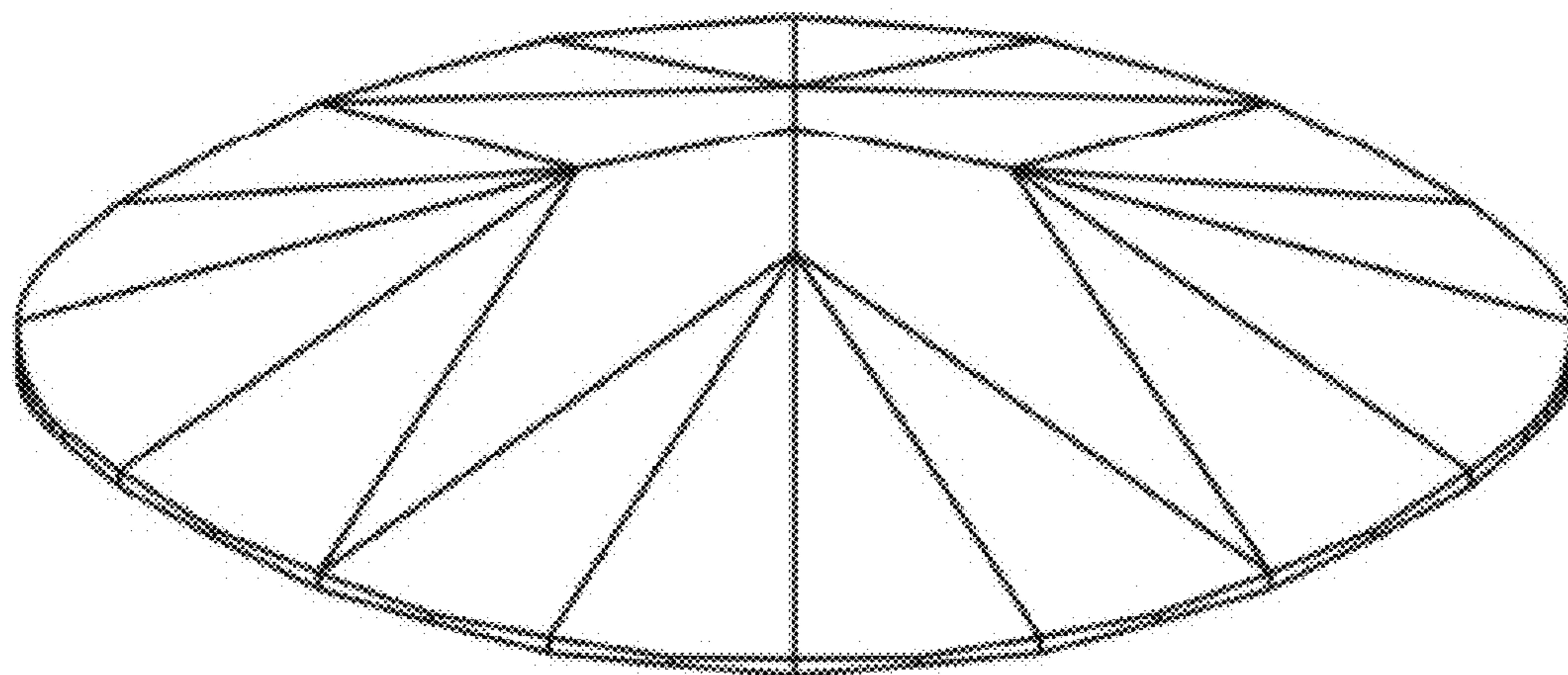


Fig. 2

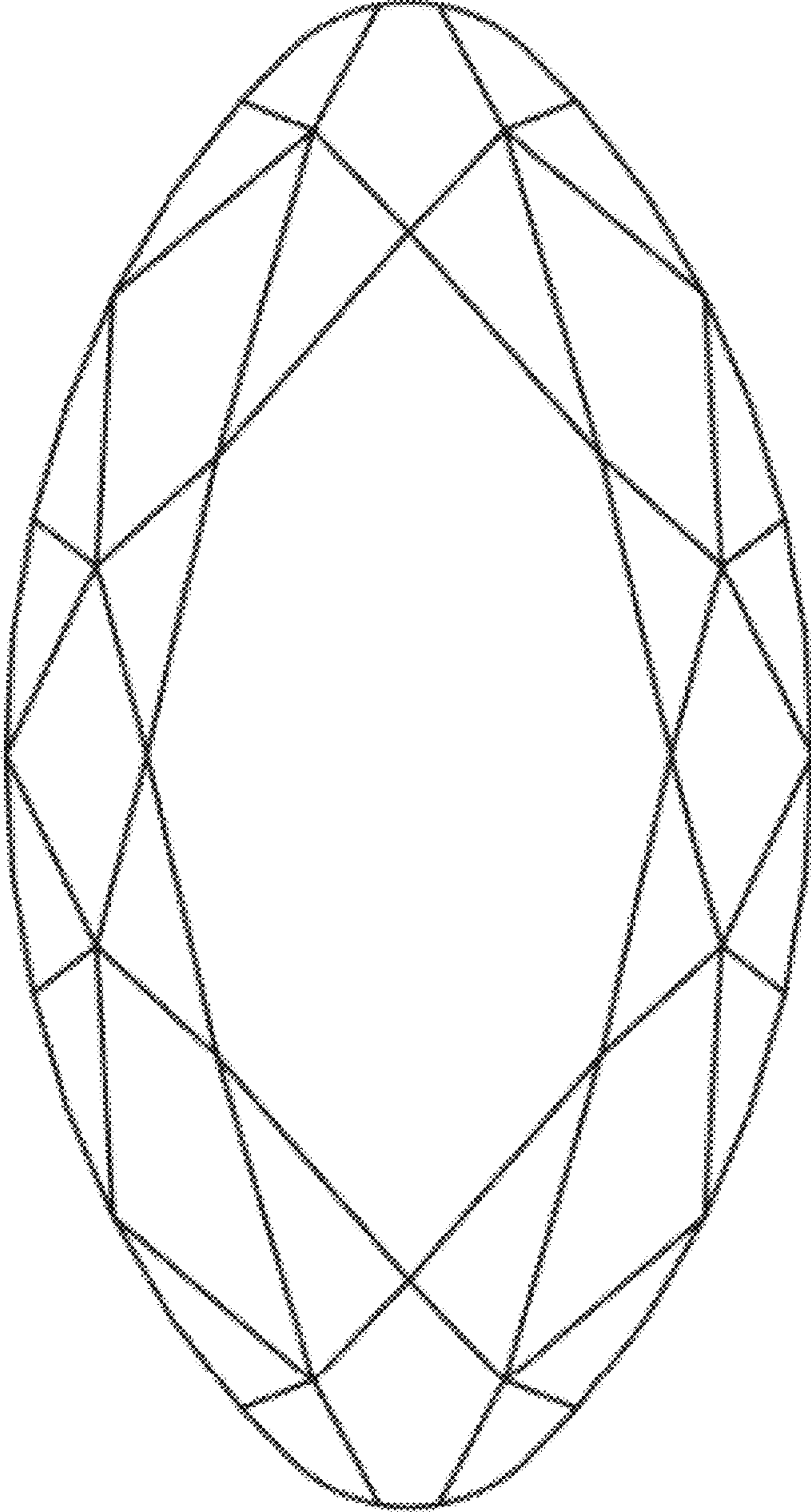


Fig. 3

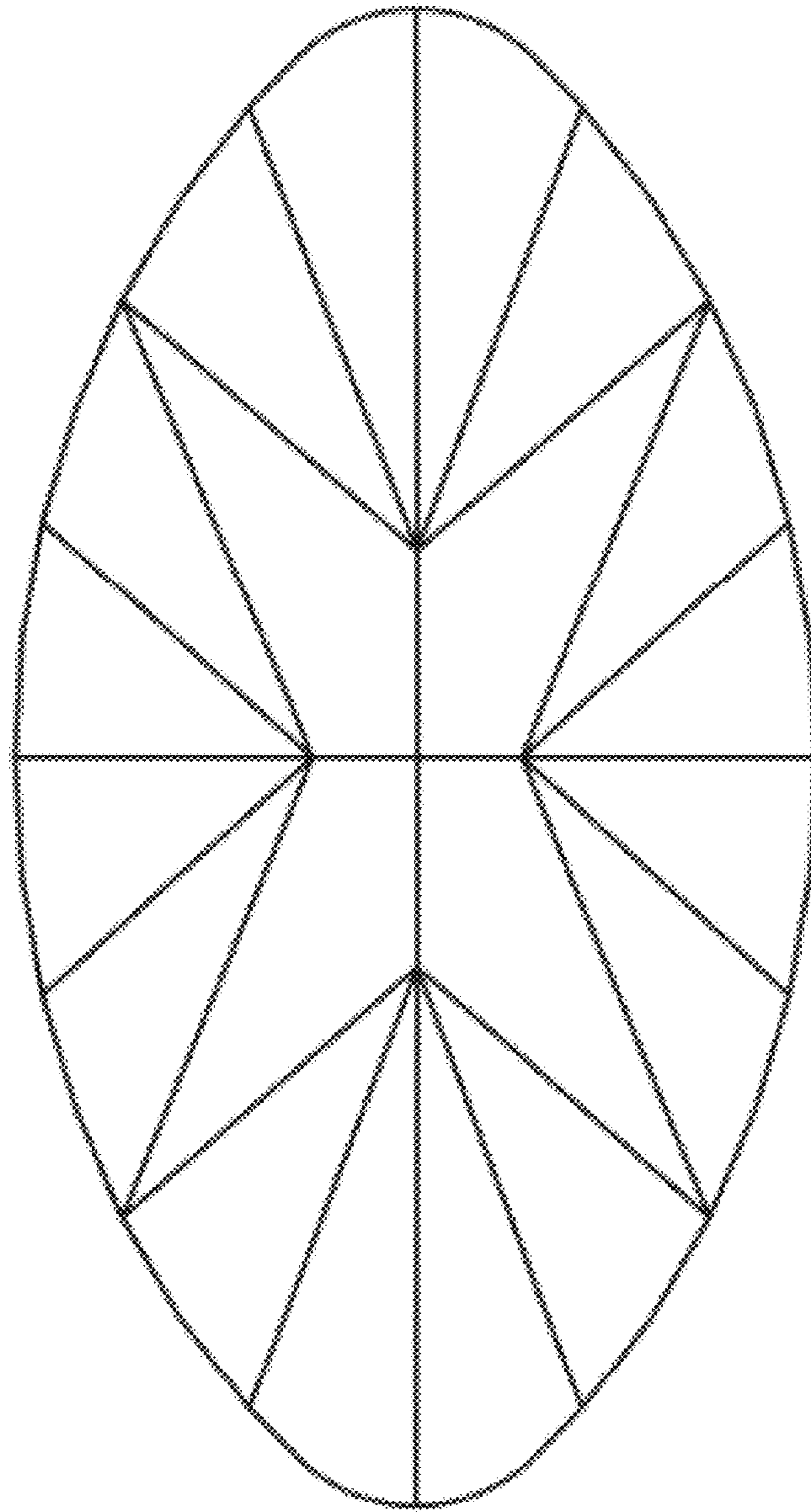


Fig. 4

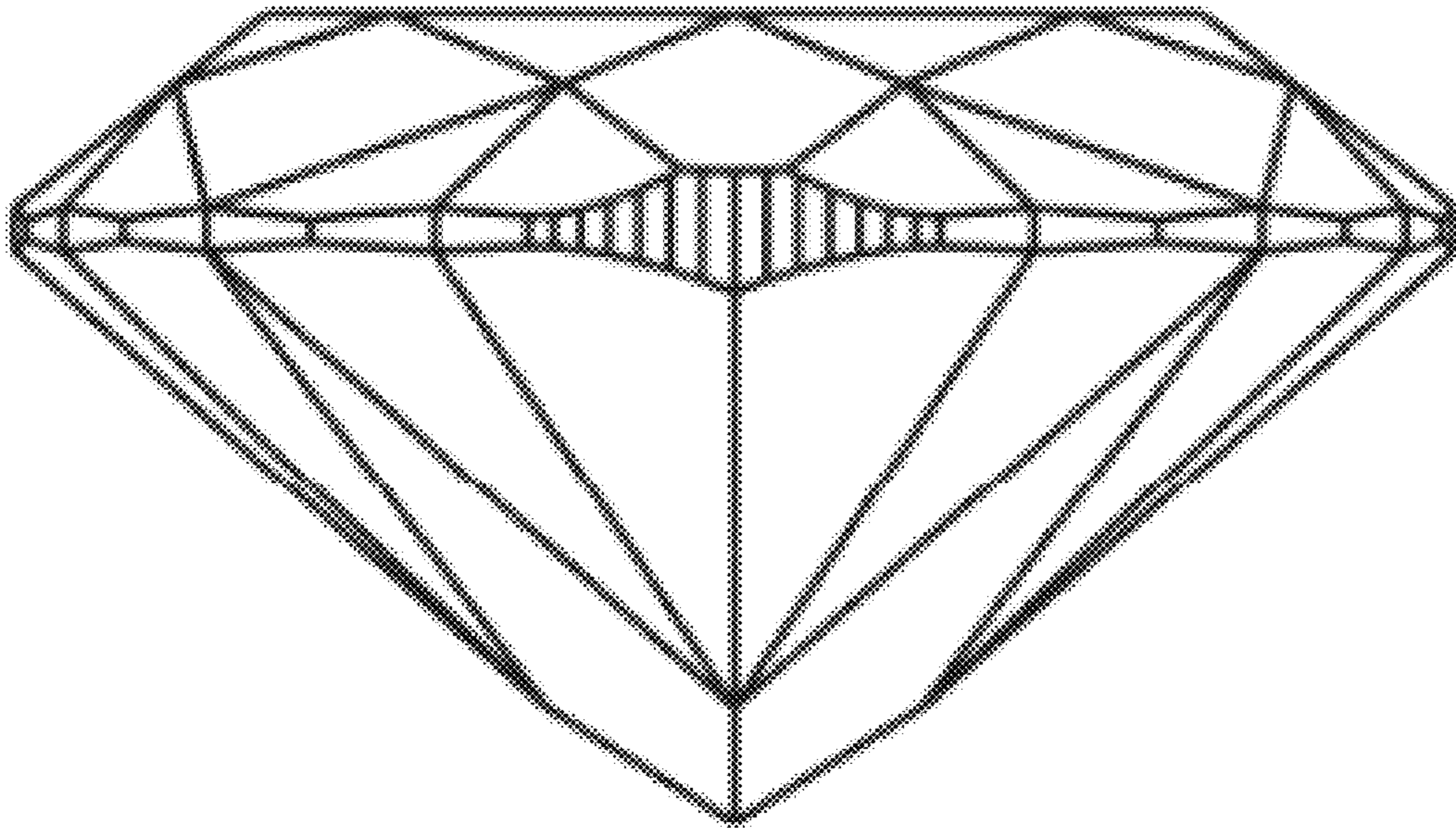


Fig. 5

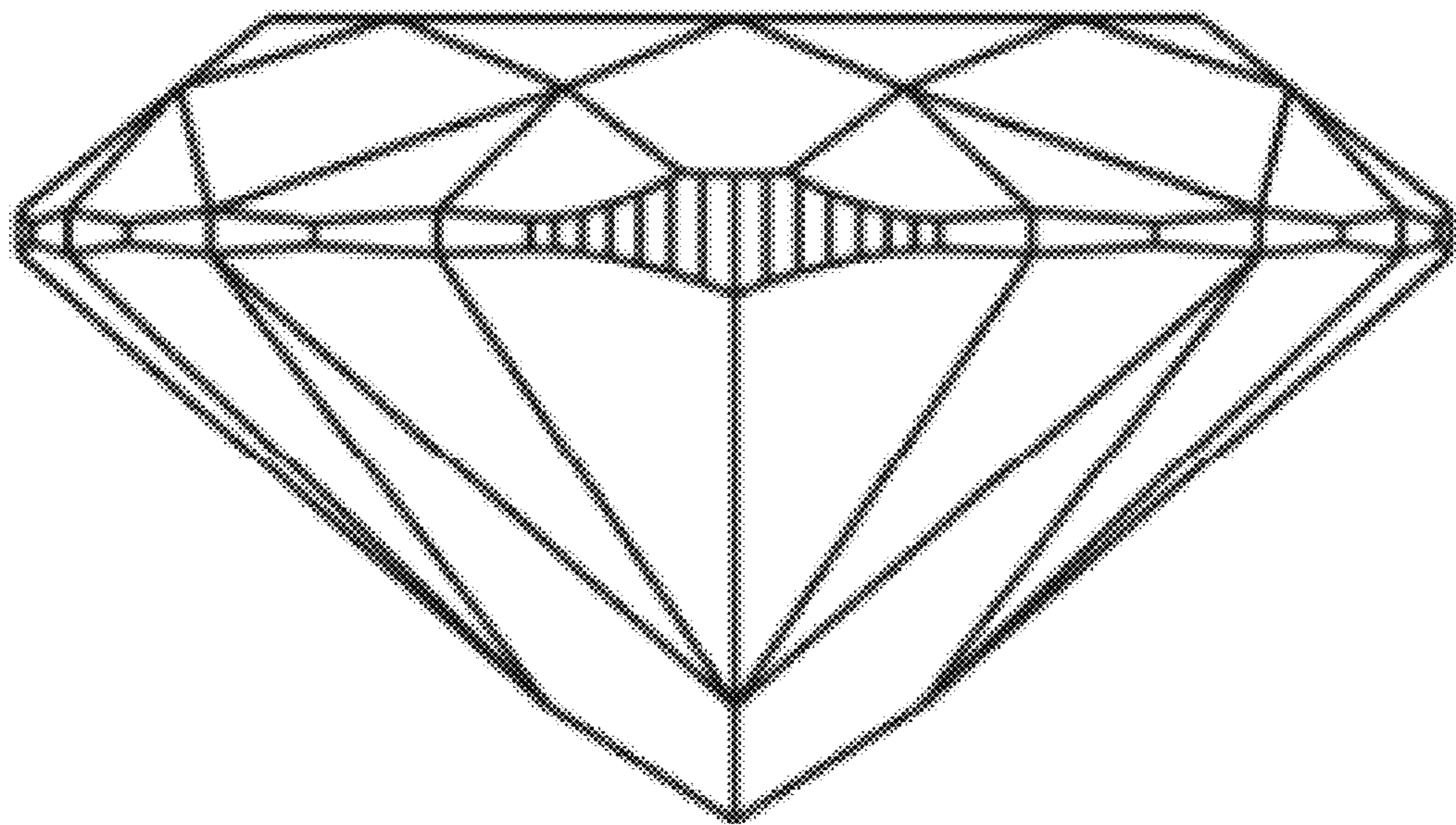


Fig. 6

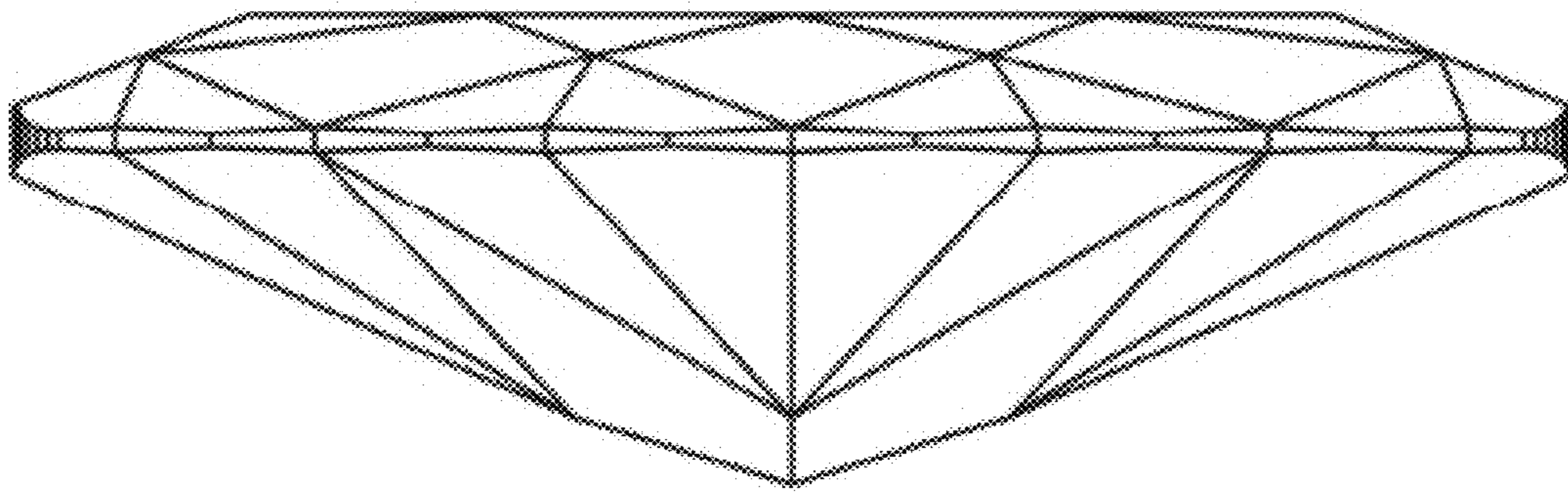


Fig. 7

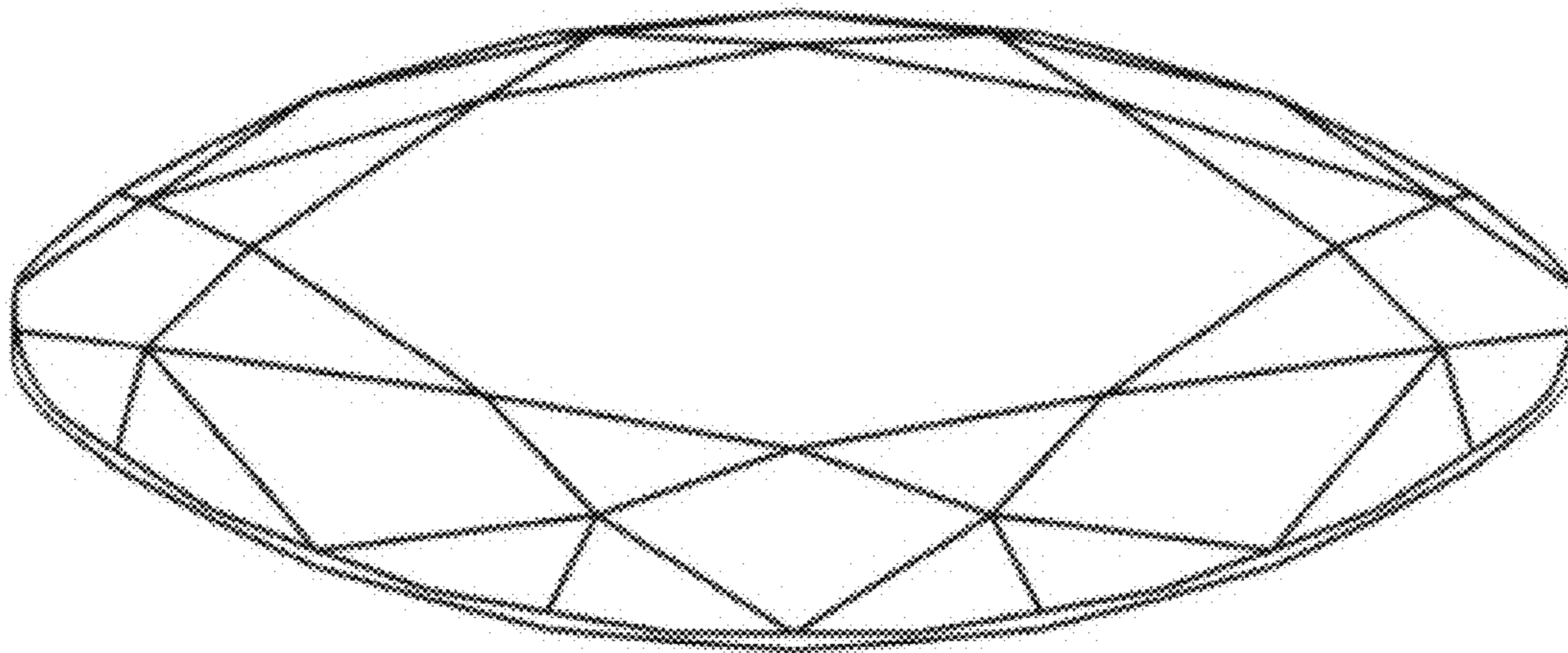


Fig. 8

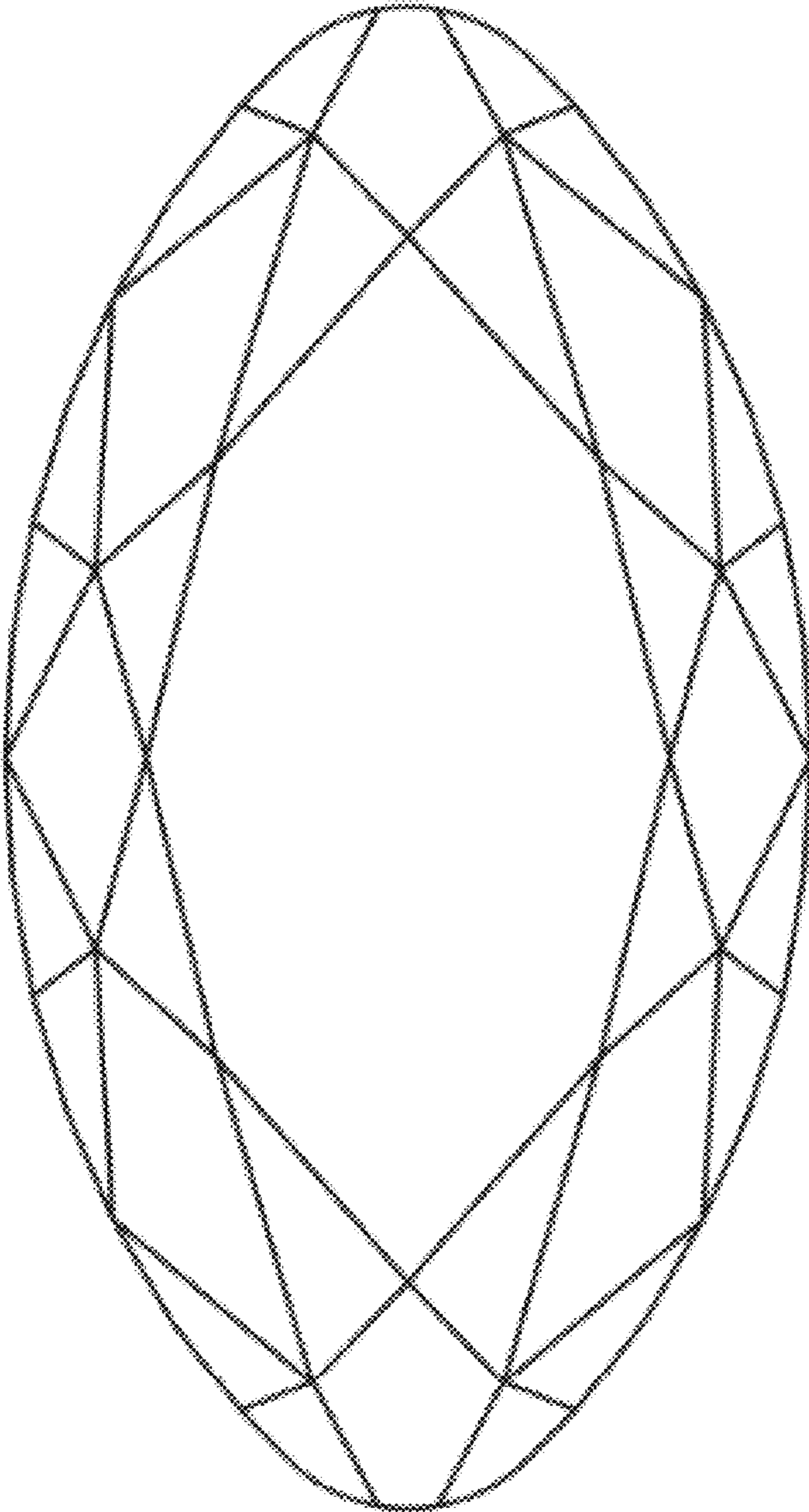


Fig. 9

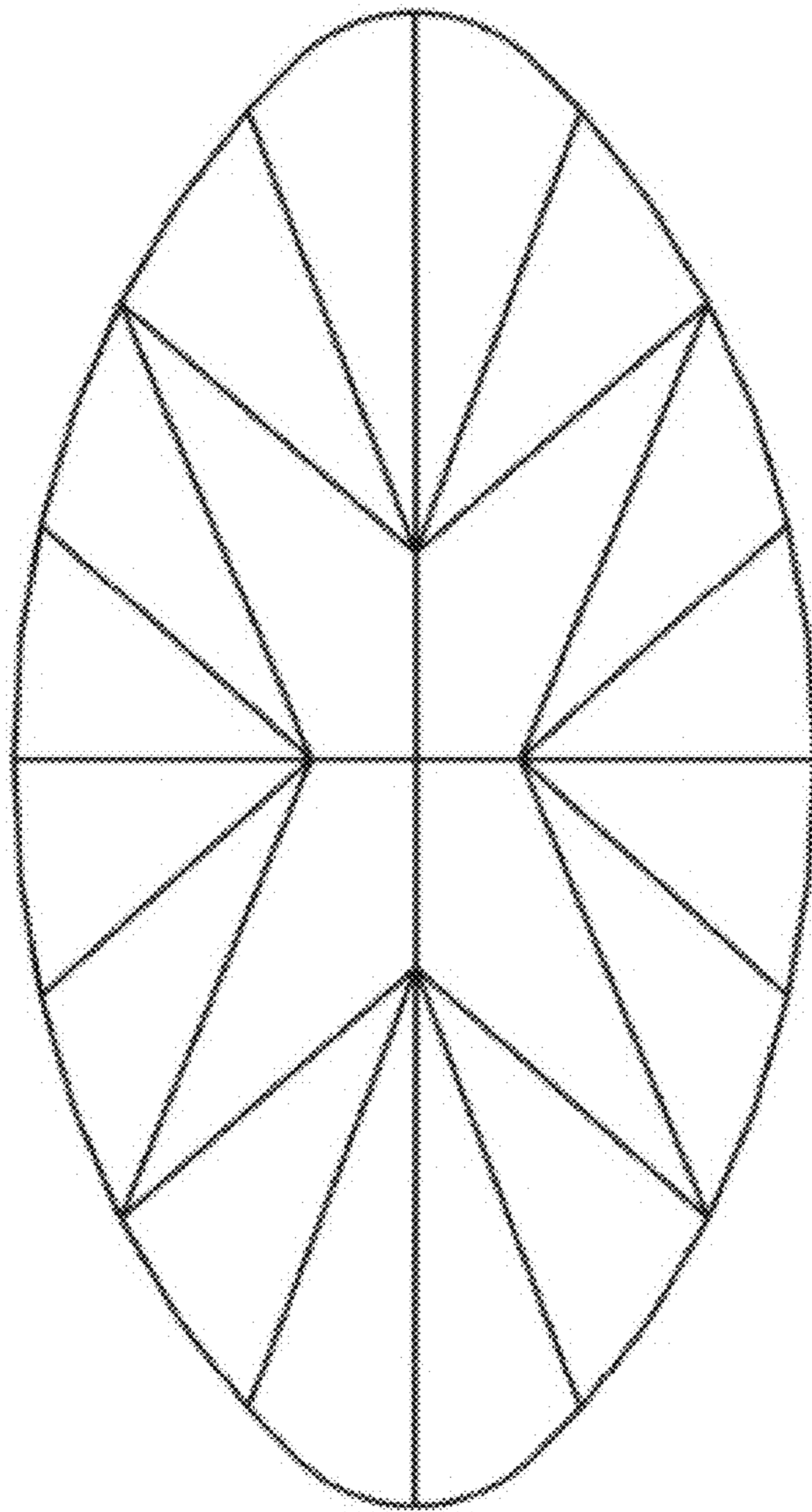


Fig. 10



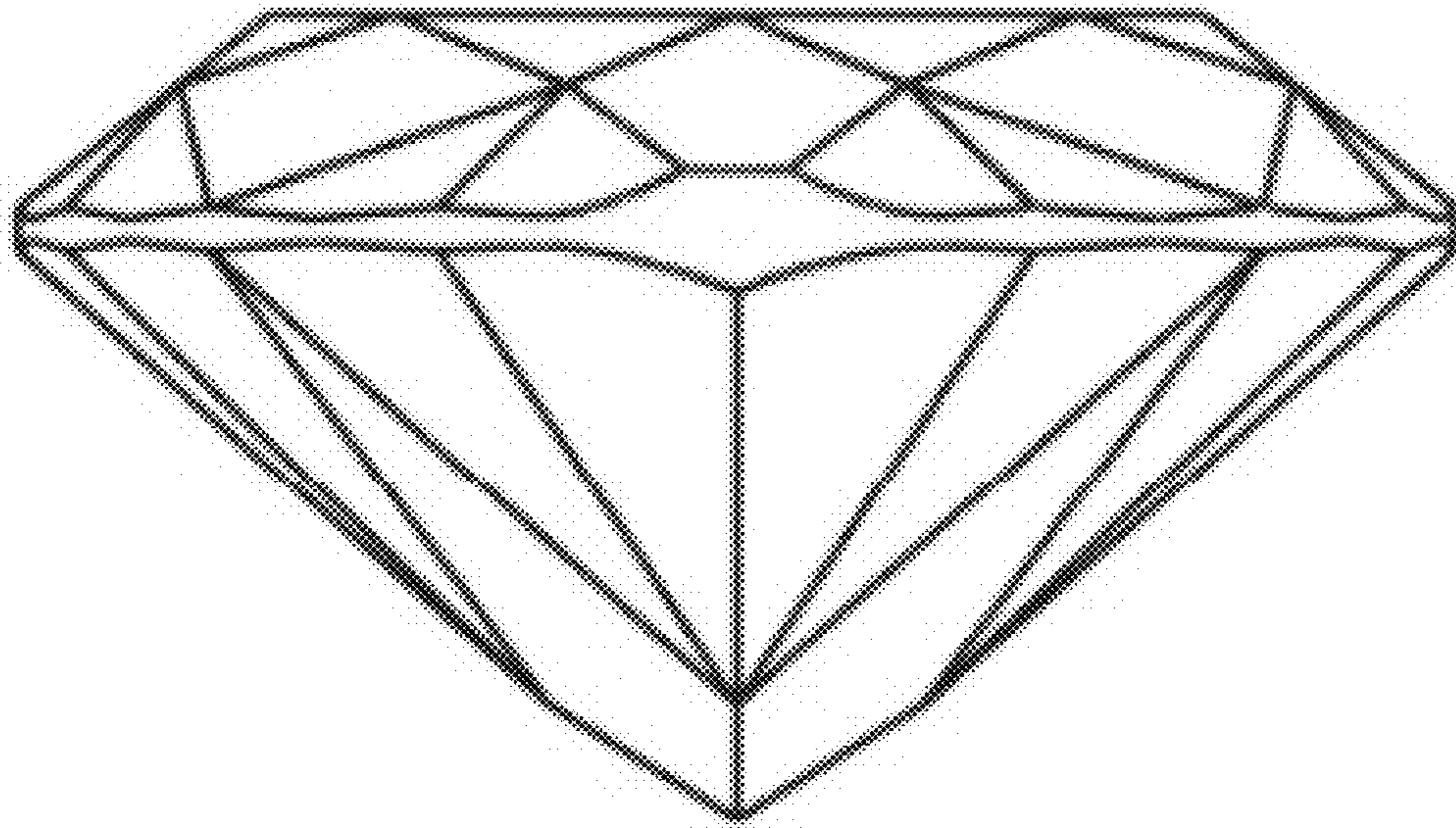


Fig. 11

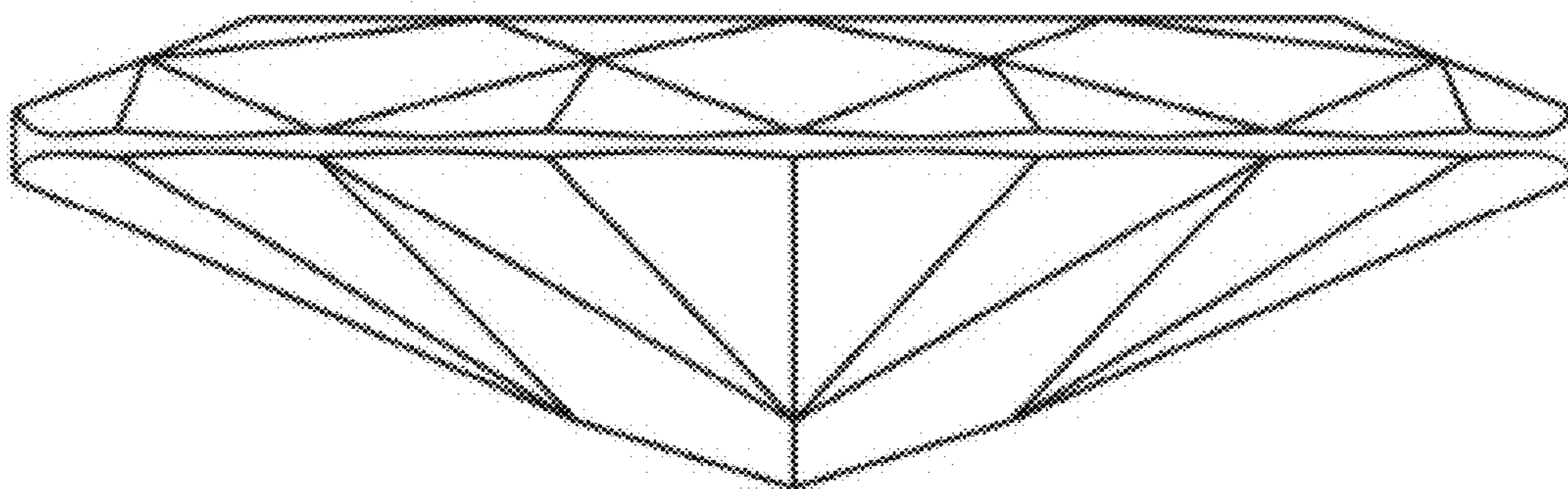


Fig. 12