



US00D885243S

(12) **United States Design Patent**
Schilling et al.

(10) **Patent No.:** **US D885,243 S**

(45) **Date of Patent:** **** May 26, 2020**

(54) **CLASP FOR JEWELRY ITEM**

(71) Applicant: **LXL Group Inc.**, Grand Cayman (KY)

(72) Inventors: **Frank Schilling**, Grand Cayman (KY);
David Concepcion, Haileah Gardens,
FL (US)

(73) Assignee: **LXL Group Inc.**, Grand Cayman (KY)

(**) Term: **15 Years**

(21) Appl. No.: **29/672,764**

(22) Filed: **Dec. 8, 2018**

(51) **LOC (12) Cl.** **11-01**

(52) **U.S. Cl.**
USPC **D11/87**

(58) **Field of Classification Search**
USPC D11/1-29, 86-88
CPC A44C 5/00; A44C 5/002; A44C 5/2085;
A44C 5/2042; A44C 5/2071
See application file for complete search history.

(56) **References Cited**

U.S. PATENT DOCUMENTS

3,757,392	A *	9/1973	Shteinshleifer	A44C 5/2009
					24/598.3
D253,094	S *	10/1979	Gudell	D11/87
D267,635	S *	1/1983	Barr	D11/87
D300,614	S *	4/1989	Geldwerth	D11/216
D327,862	S *	7/1992	McConnell	D11/12
D411,478	S *	6/1999	Kenagy	D11/220
D631,780	S *	2/2011	Levy	D11/87
D707,153	S *	6/2014	Meissner	D11/1
D707,584	S *	6/2014	Webb	D11/87
D737,719	S *	9/2015	Gittens	D11/87

* cited by examiner

Primary Examiner — Zenia I Bennett

(74) *Attorney, Agent, or Firm* — Oppedahl Patent Law Firm LLC

(57) **CLAIM**

The ornamental design for a clasp for jewelry item, as shown and described.

DESCRIPTION

FIG. 1 is a top, left, front perspective view of the new design for a clasp for jewelry item showing the clasp unconnected and open;

FIG. 2 is a top, right, front perspective view showing the clasp unconnected and open;

FIG. 3 is a top, right, back perspective view showing the clasp unconnected and open;

FIG. 4 is a top view of FIG. 1;

FIG. 5 is a bottom view of FIG. 1;

FIG. 6 is a front view of FIG. 1;

FIG. 7 is a back view of FIG. 1;

FIG. 8 is a left side view of FIG. 1;

FIG. 9 is a right side view of FIG. 1;

FIG. 10 is a top, left, front perspective view showing the clasp connected and open;

FIG. 11 is a top, right, front perspective view showing the clasp connected and open;

FIG. 12 is a top view of FIG. 10;

FIG. 13 is a bottom view of FIG. 10;

FIG. 14 is a front view of FIG. 10;

FIG. 15 is a back view of FIG. 10;

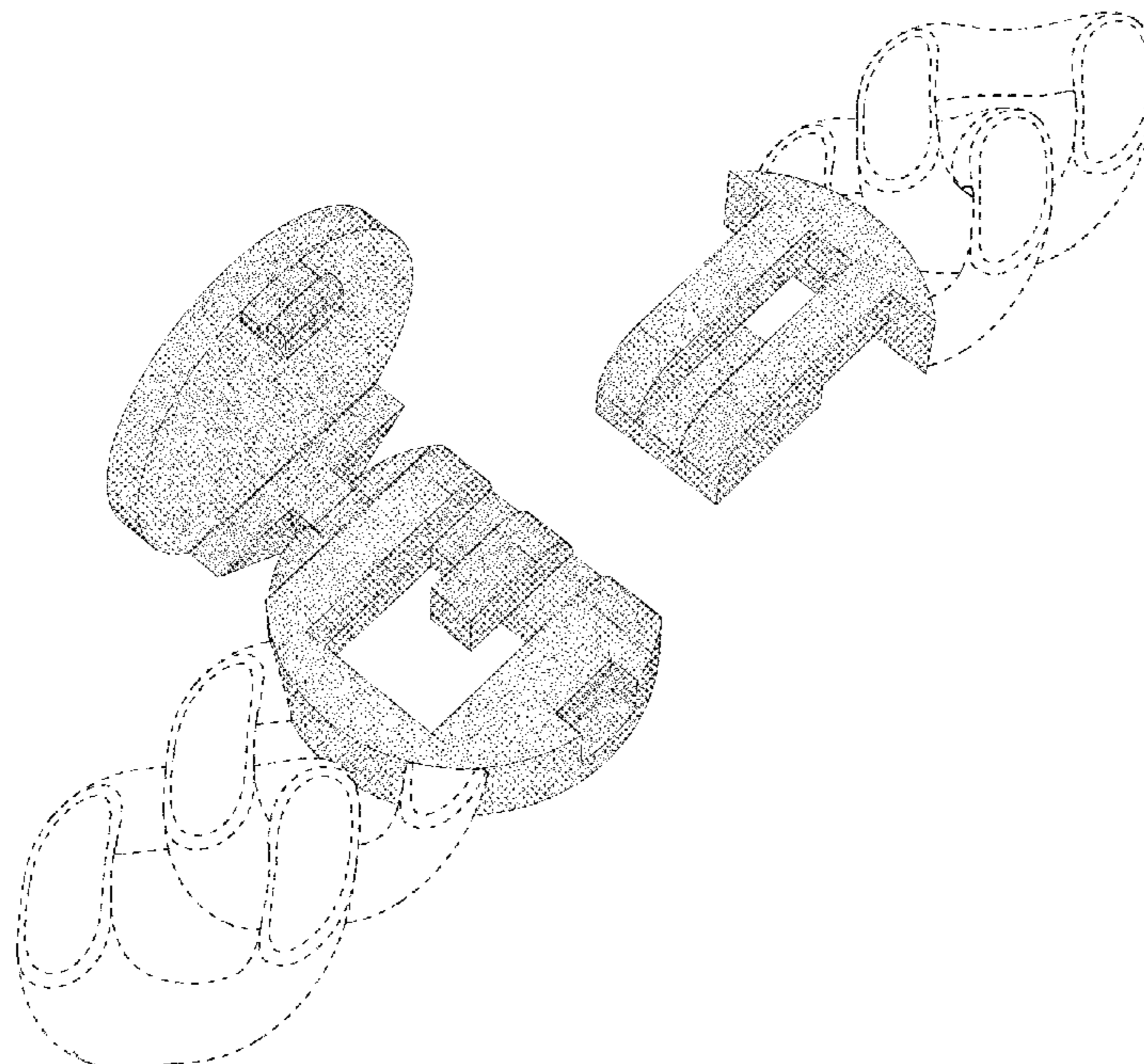
FIG. 16 is a top, left, front perspective view showing the clasp connected and closed;

FIG. 17 is a top, right, back perspective view showing the clasp connected and closed; and,

FIG. 18 is a top view of FIG. 16.

The broken lines in the figures form no part of the claimed design.

1 Claim, 18 Drawing Sheets



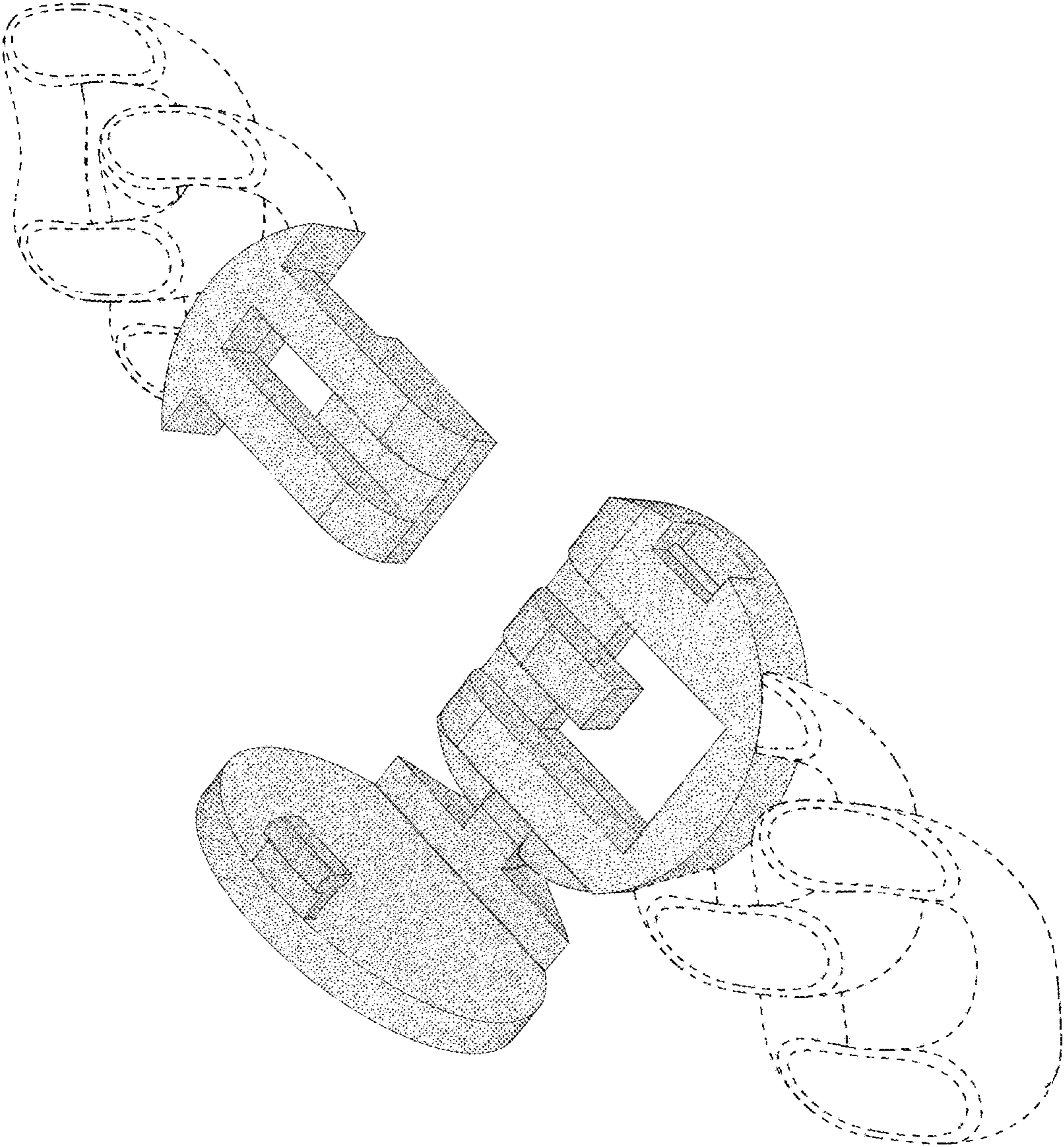


FIG. 1

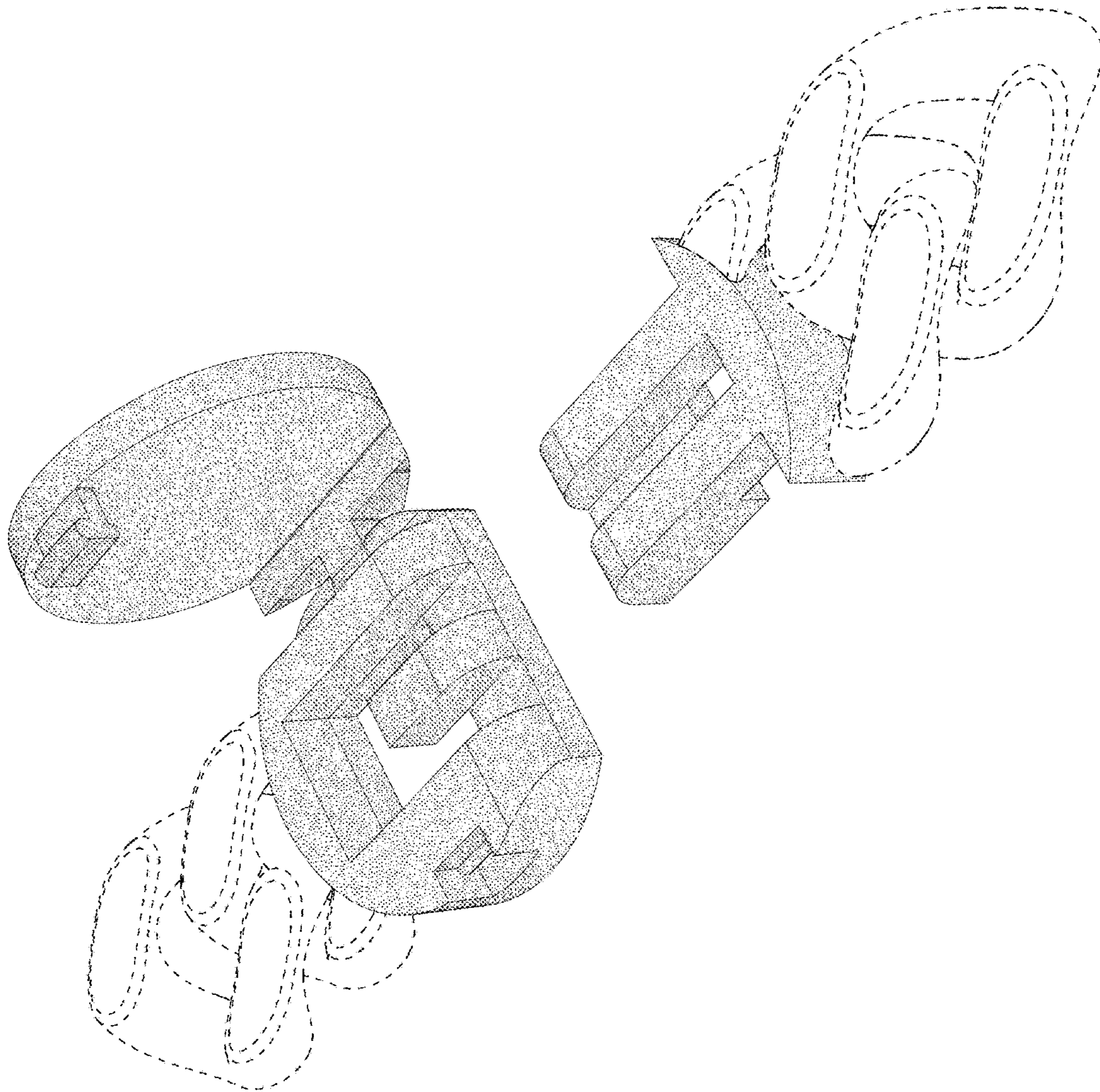


FIG. 2

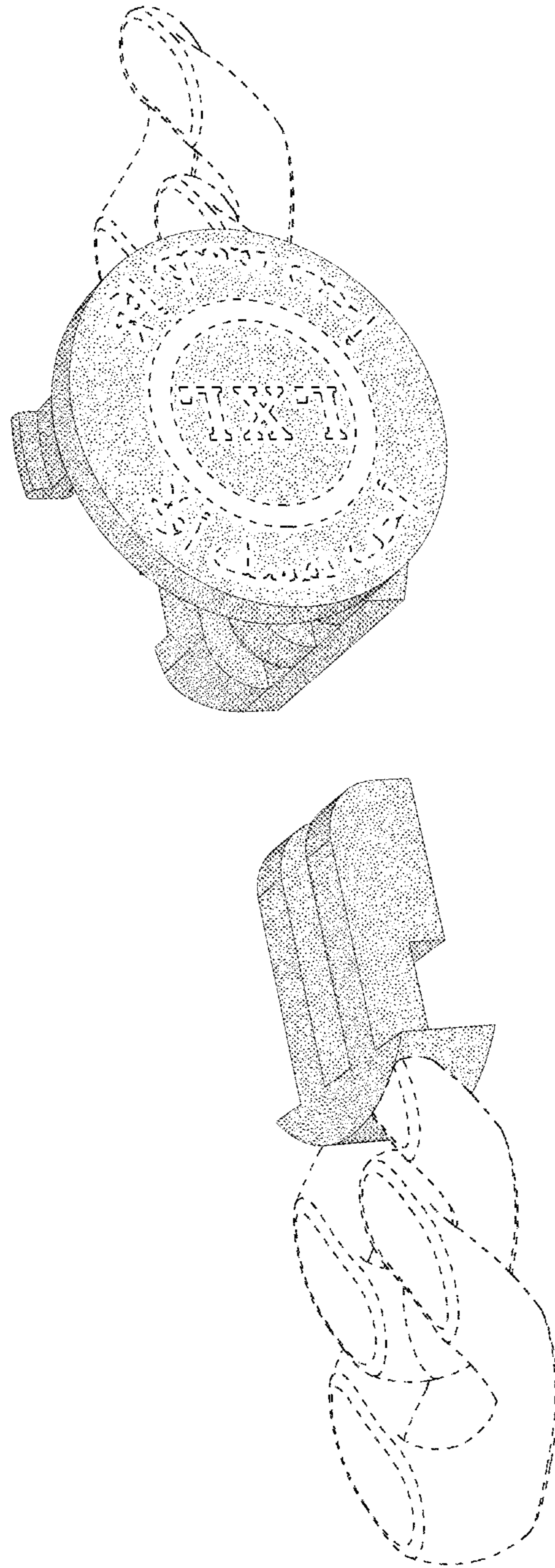


FIG. 3

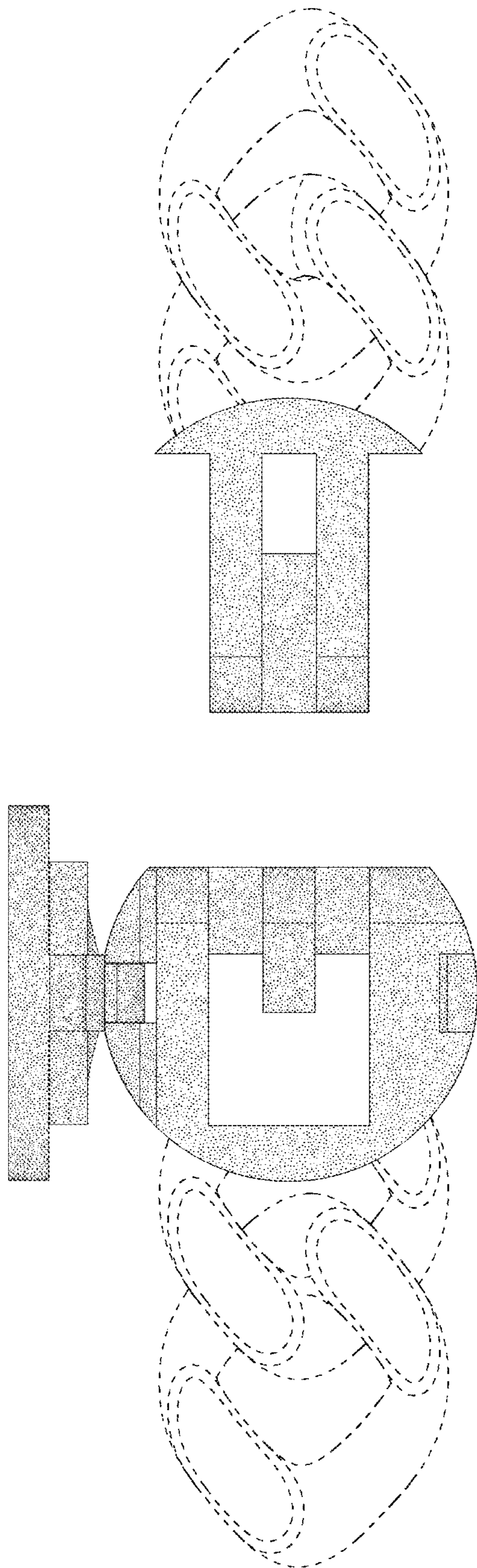


FIG. 4

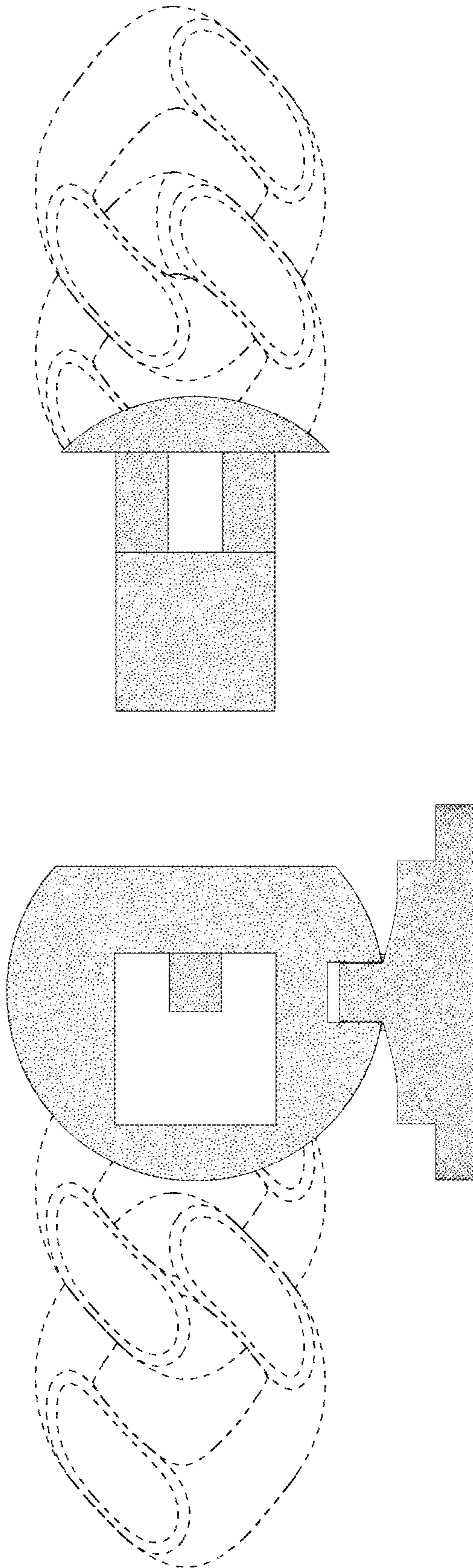


FIG. 5

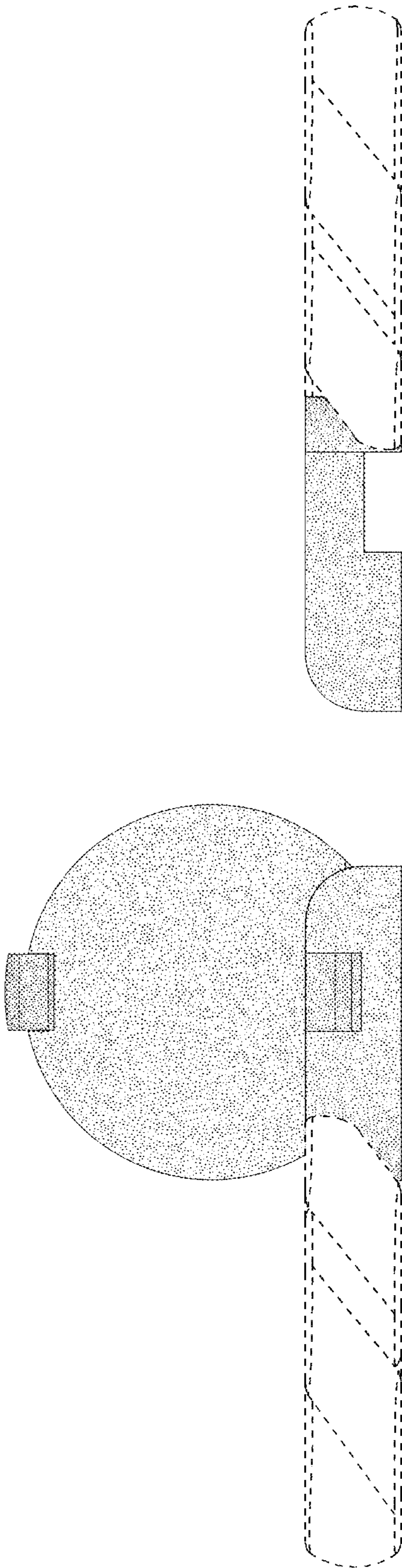


FIG. 6

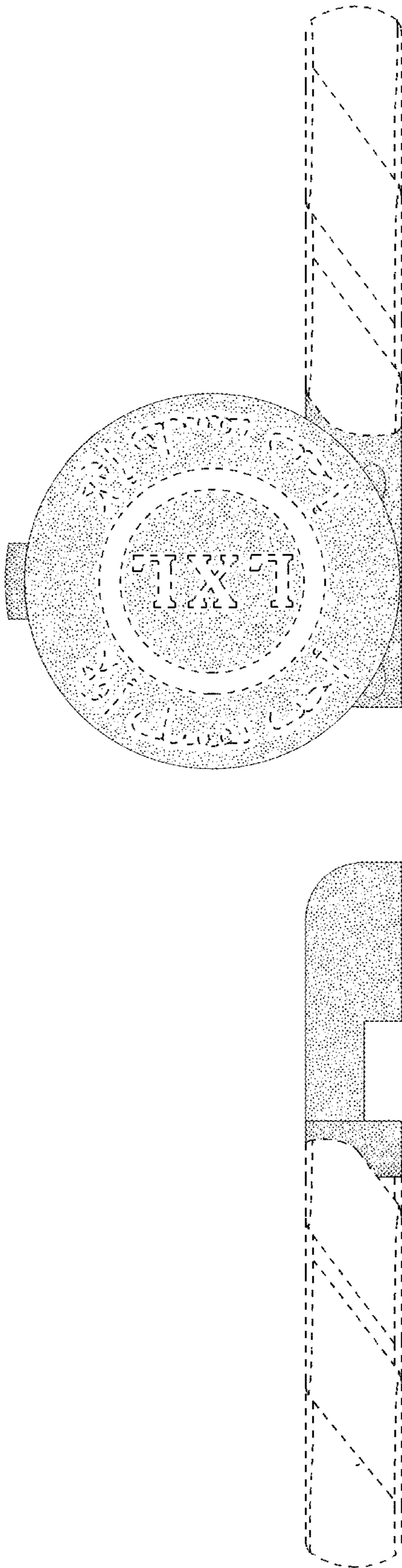


FIG. 7

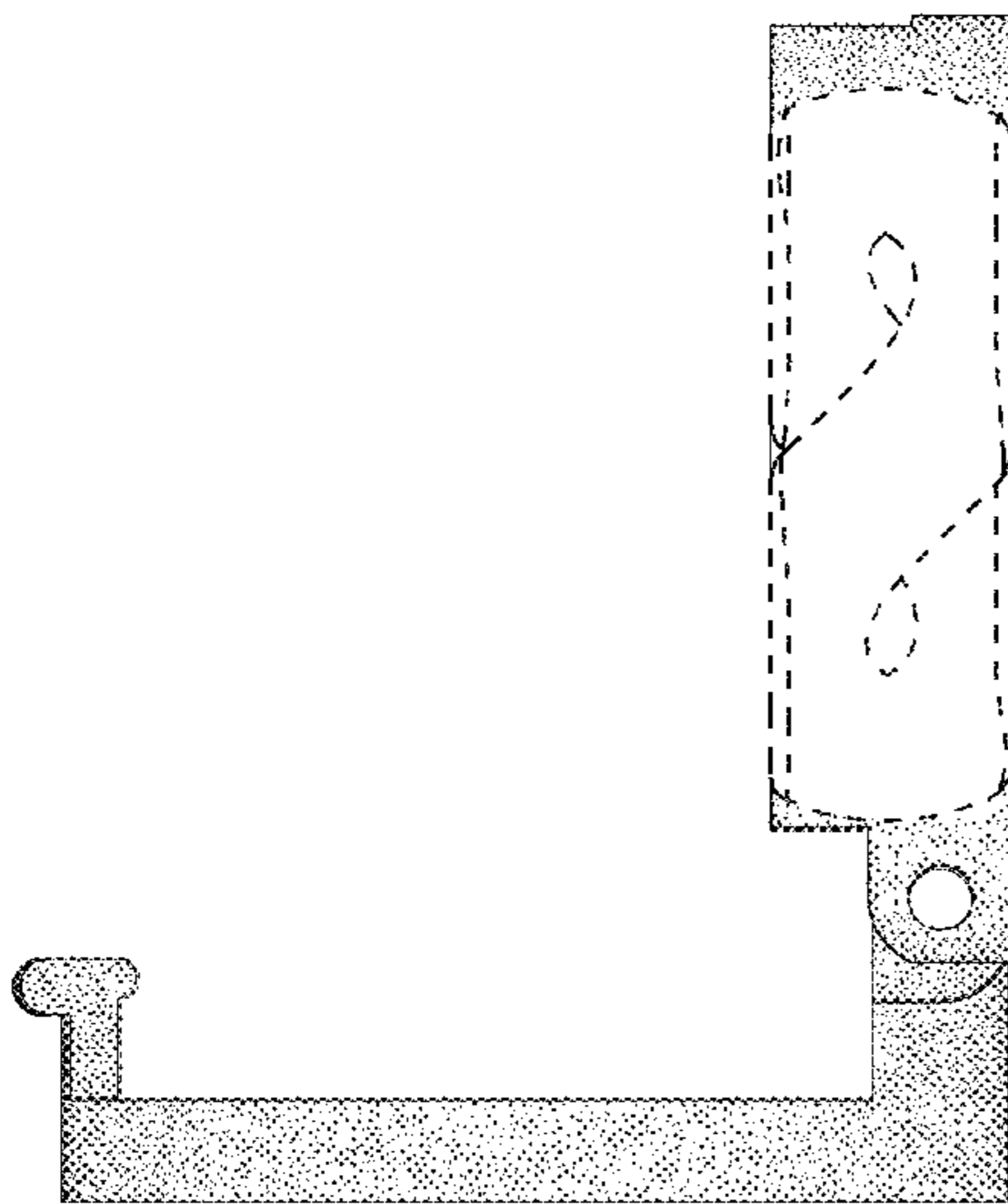


FIG. 8

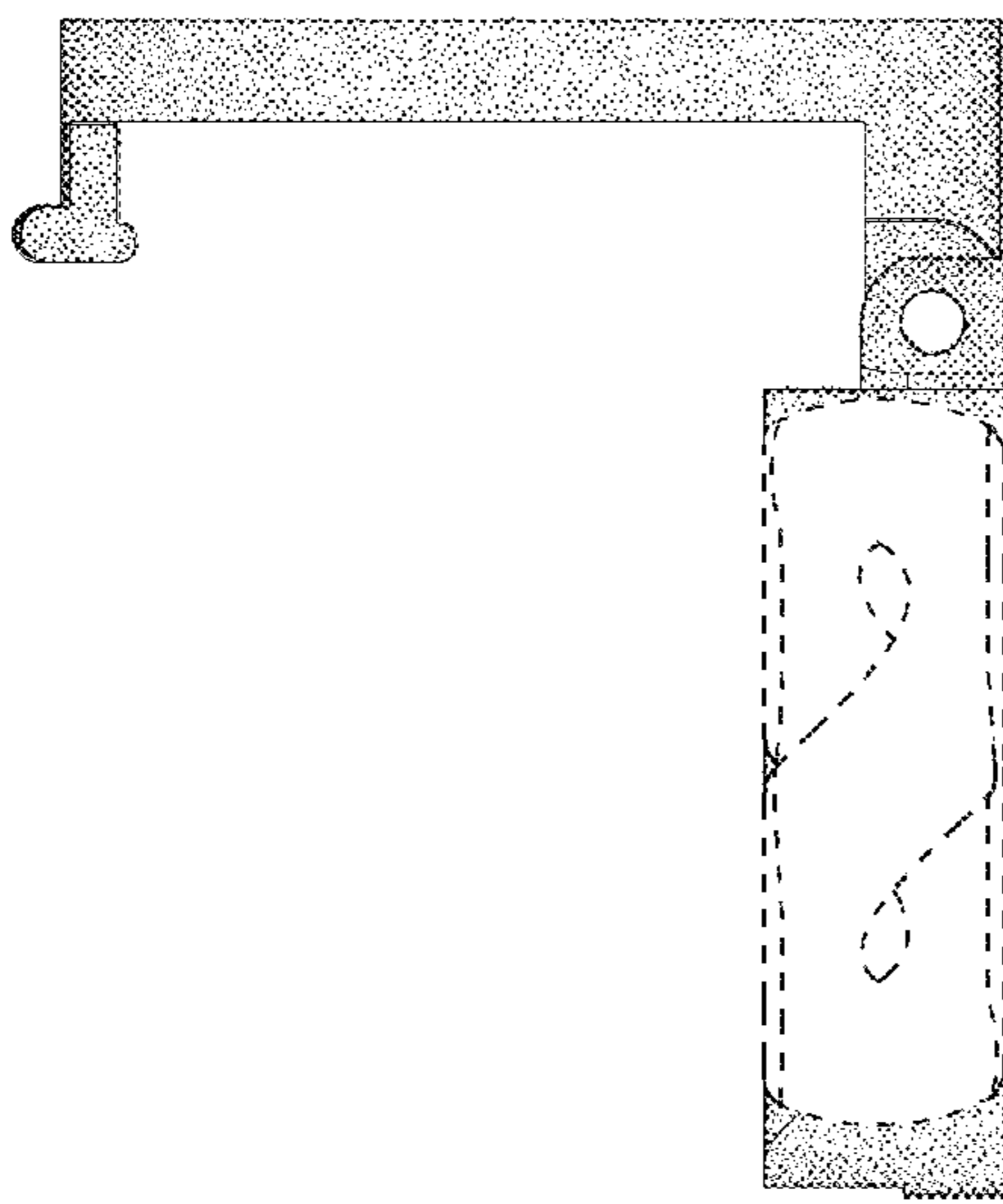


FIG. 9

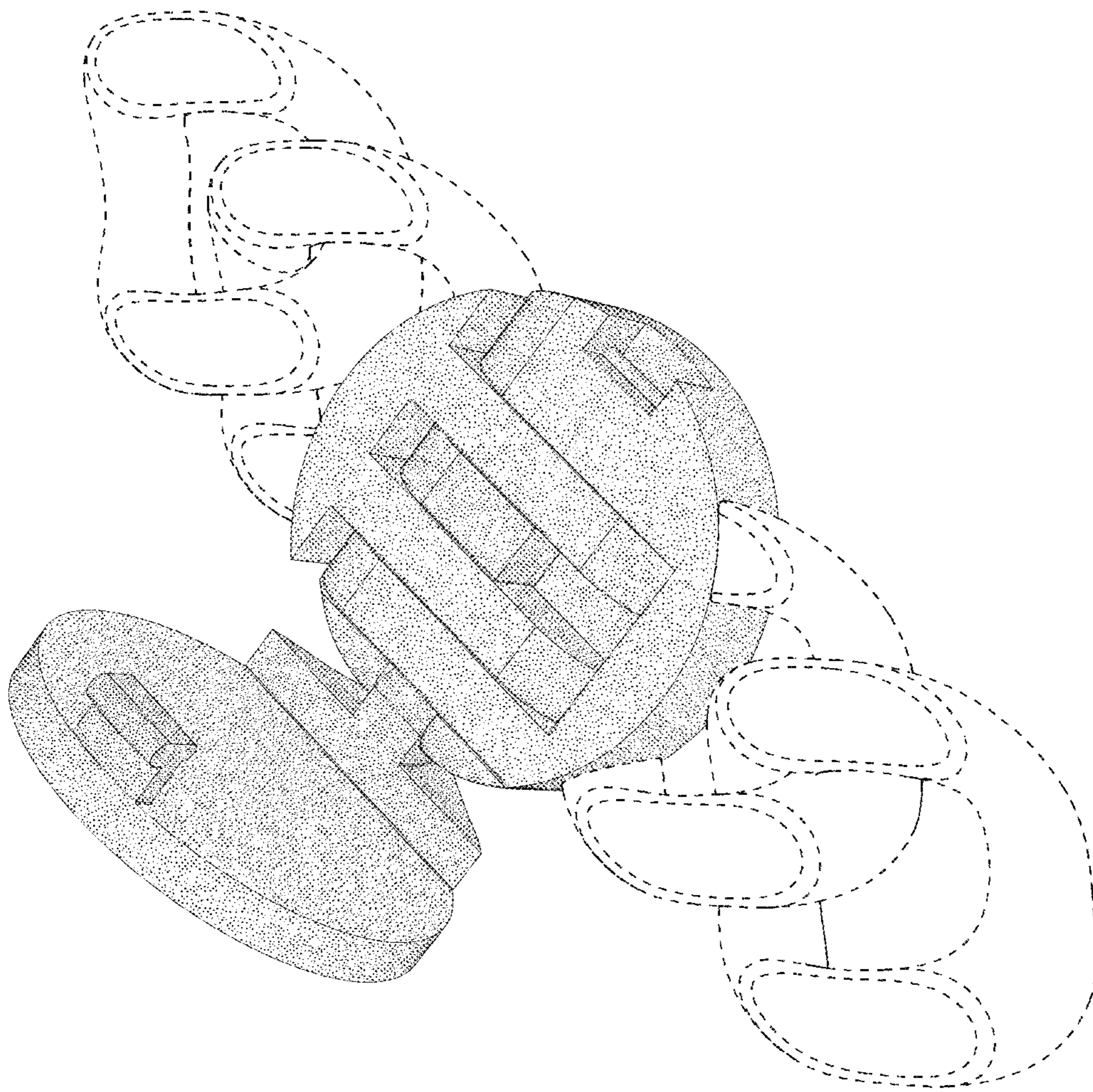


FIG. 10

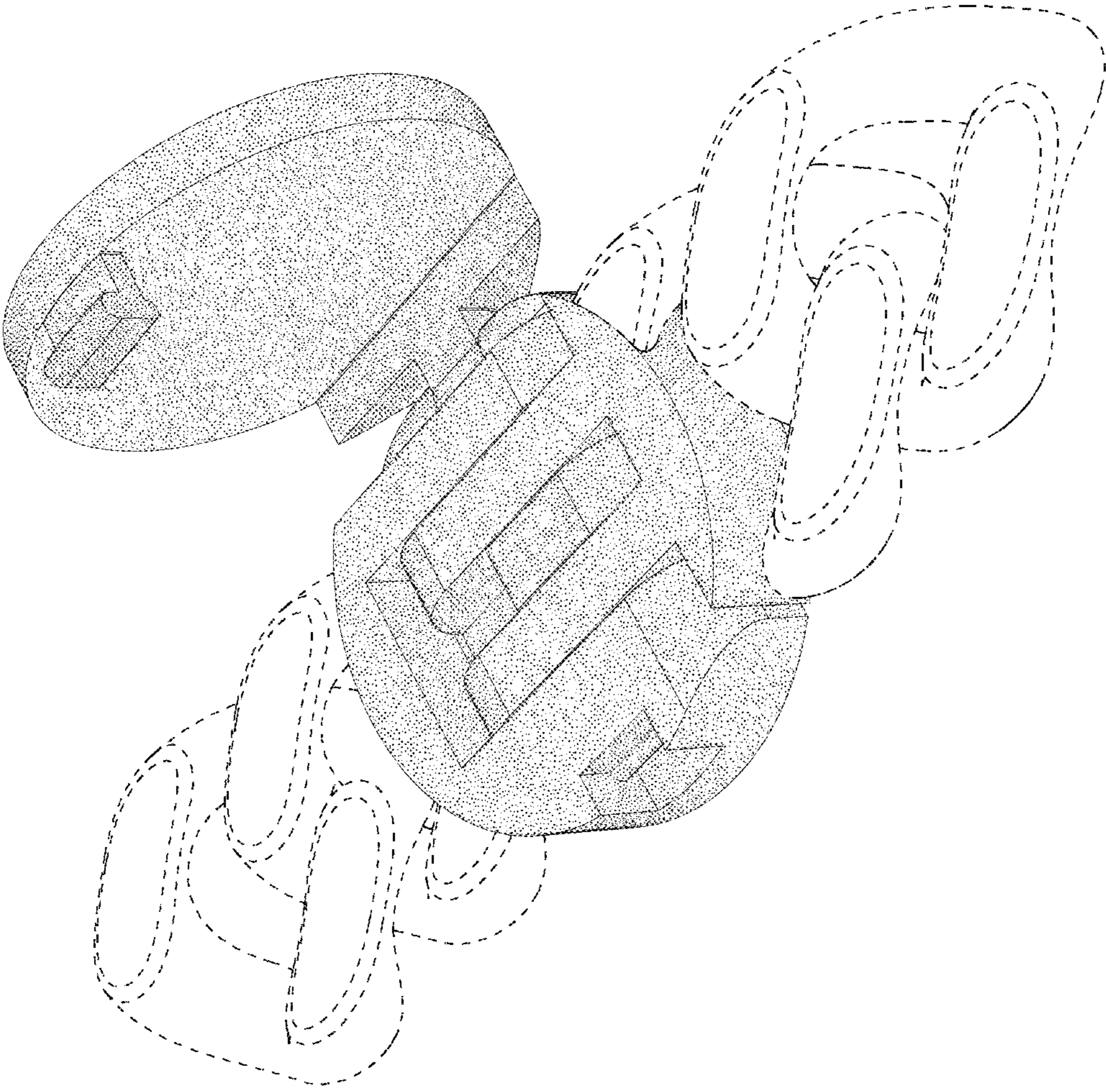


FIG. 11

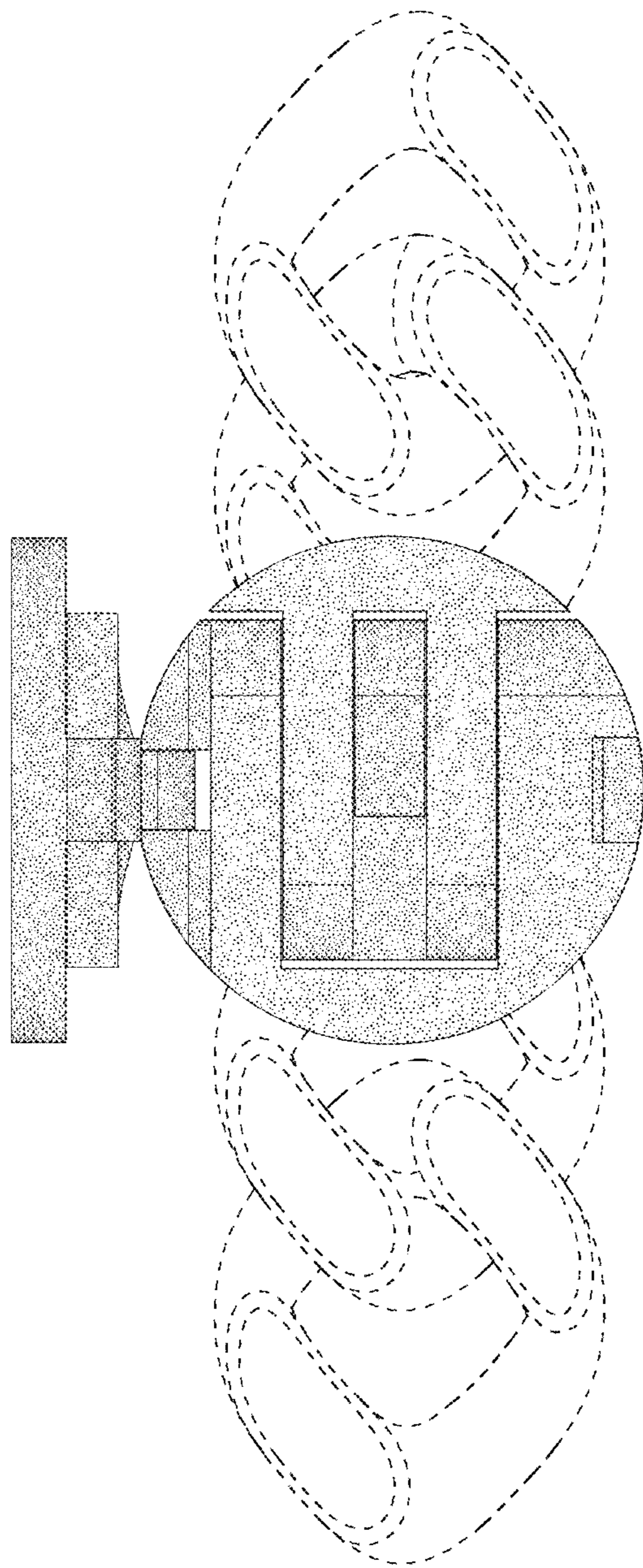


FIG. 12

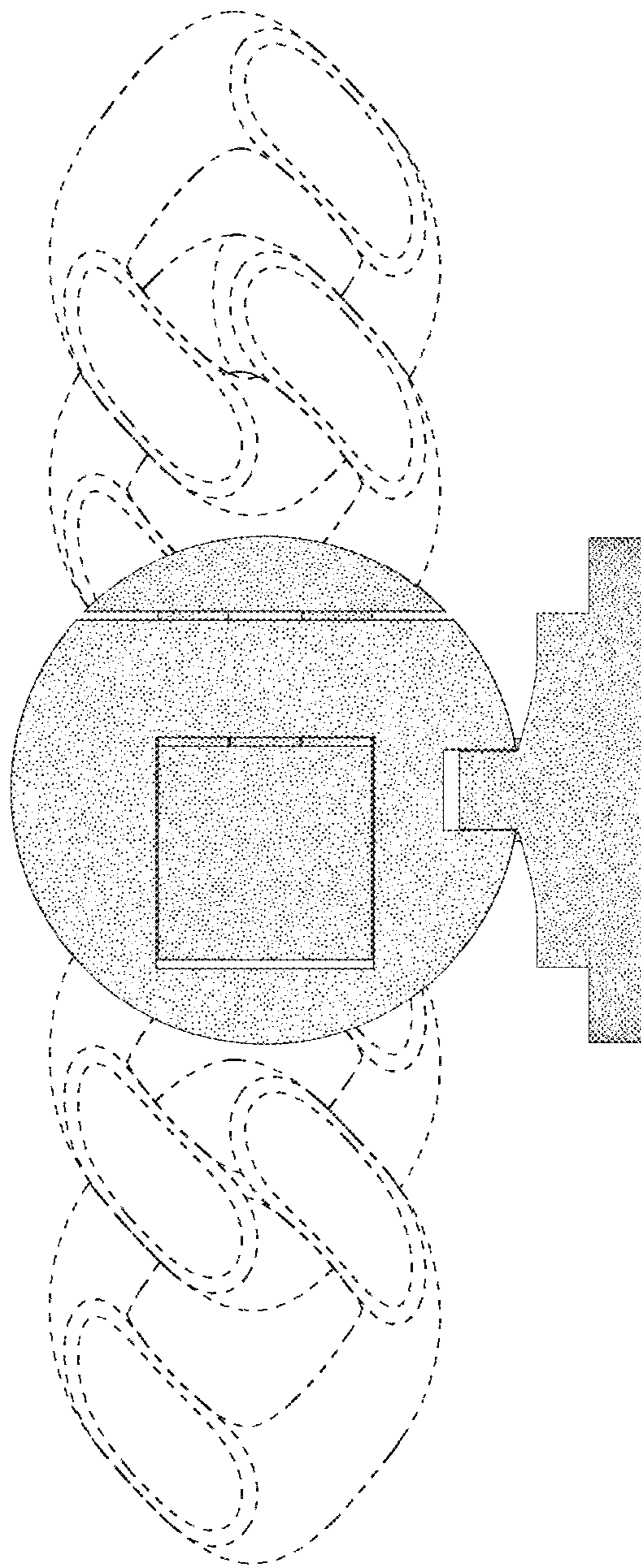


FIG. 13

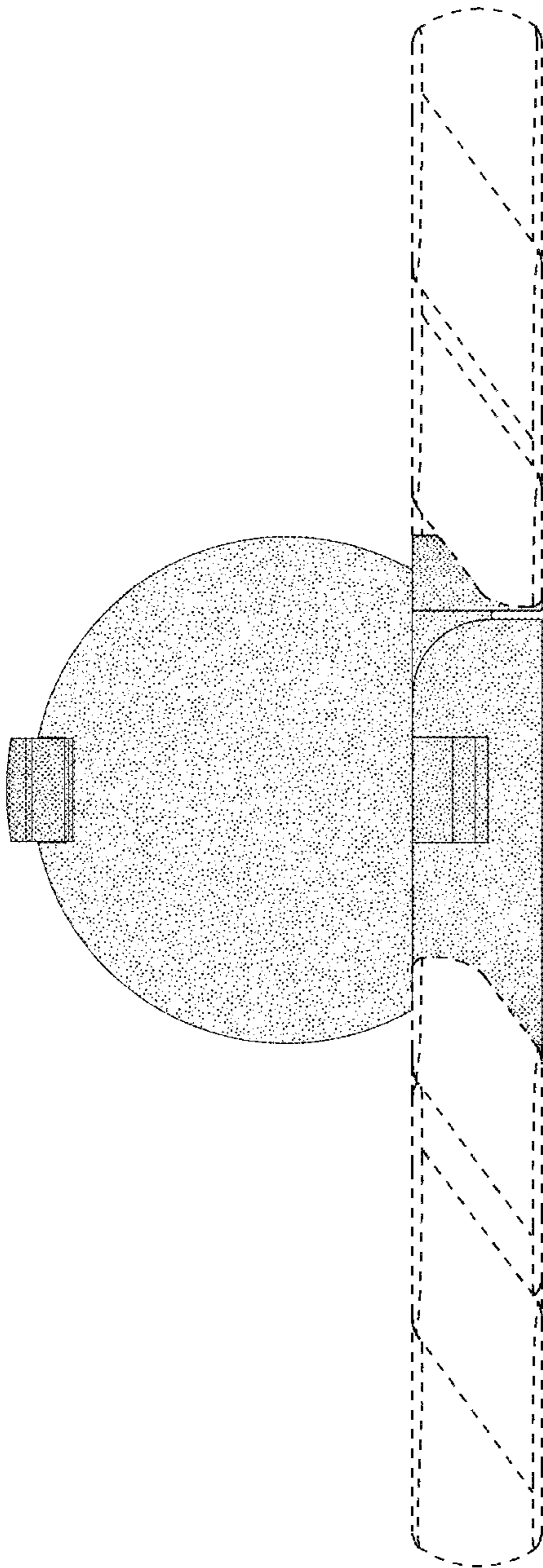


FIG. 14

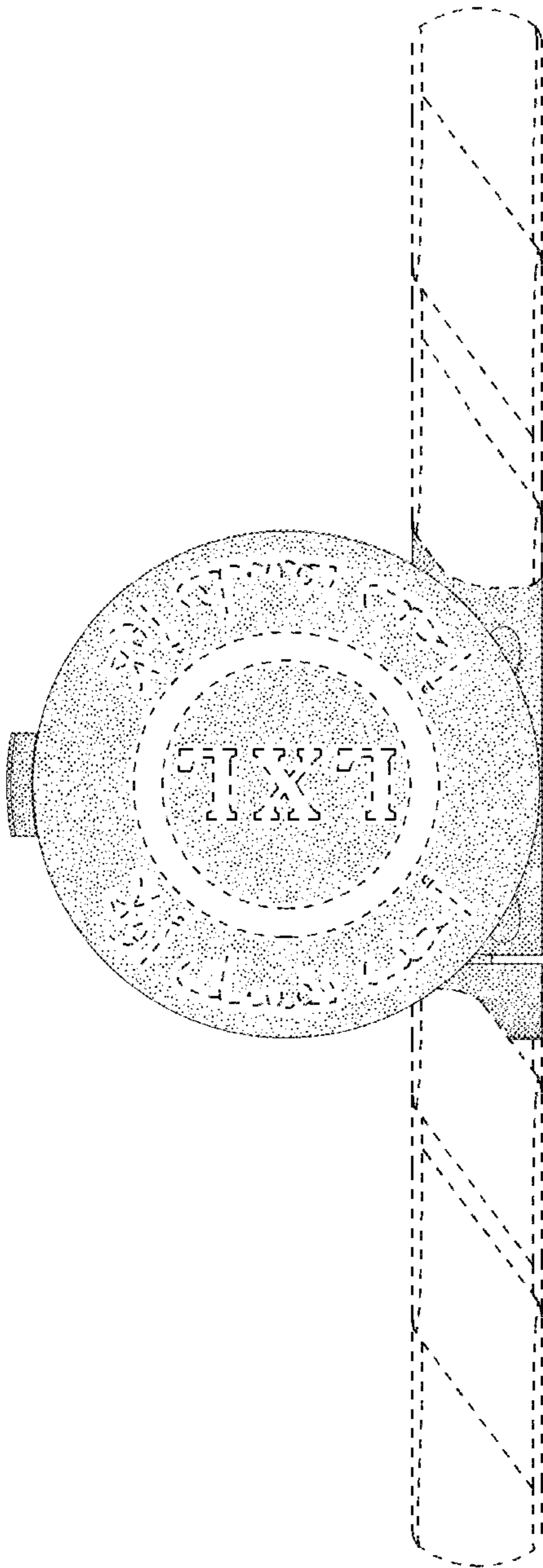


FIG. 15

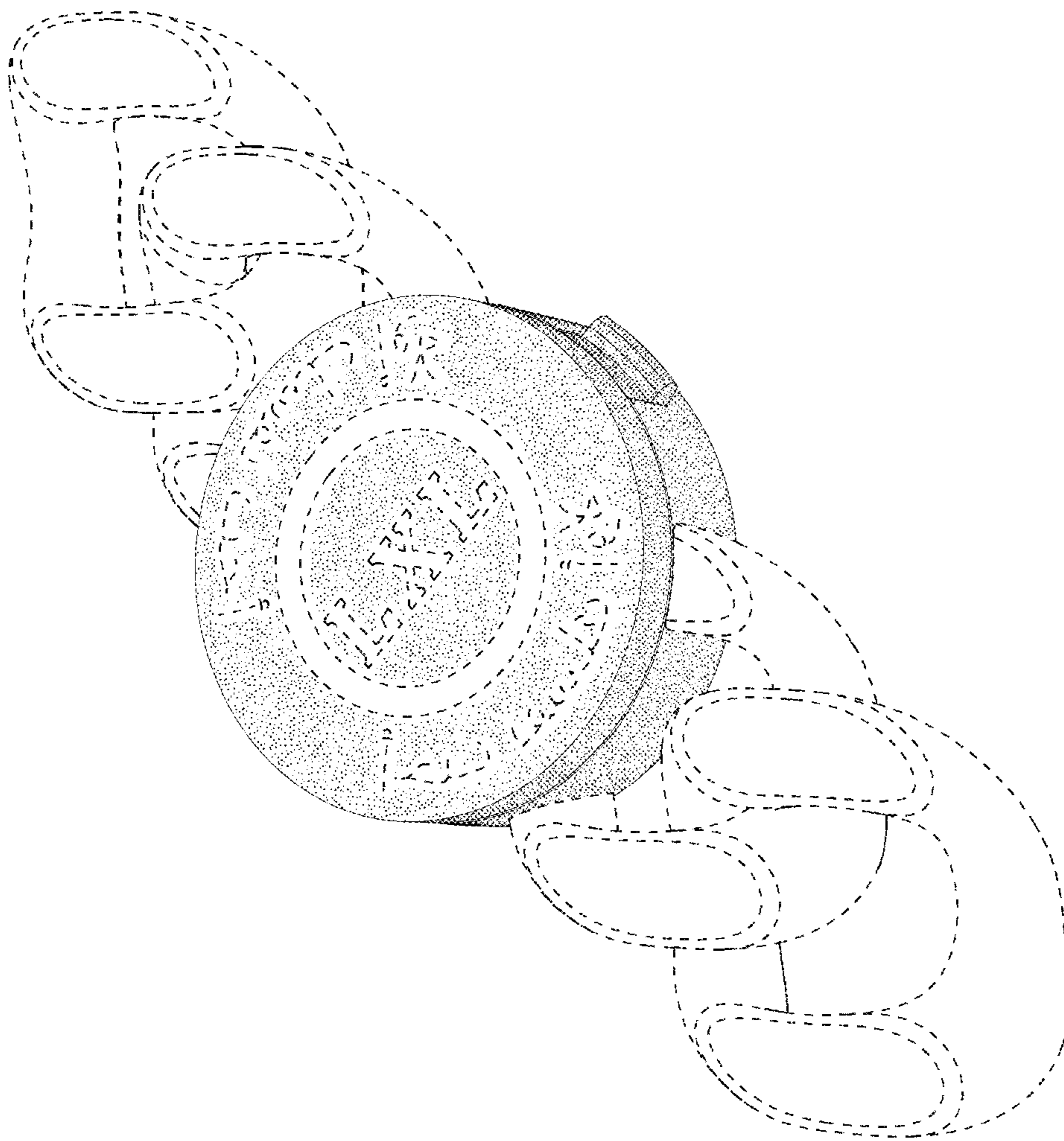


FIG. 16

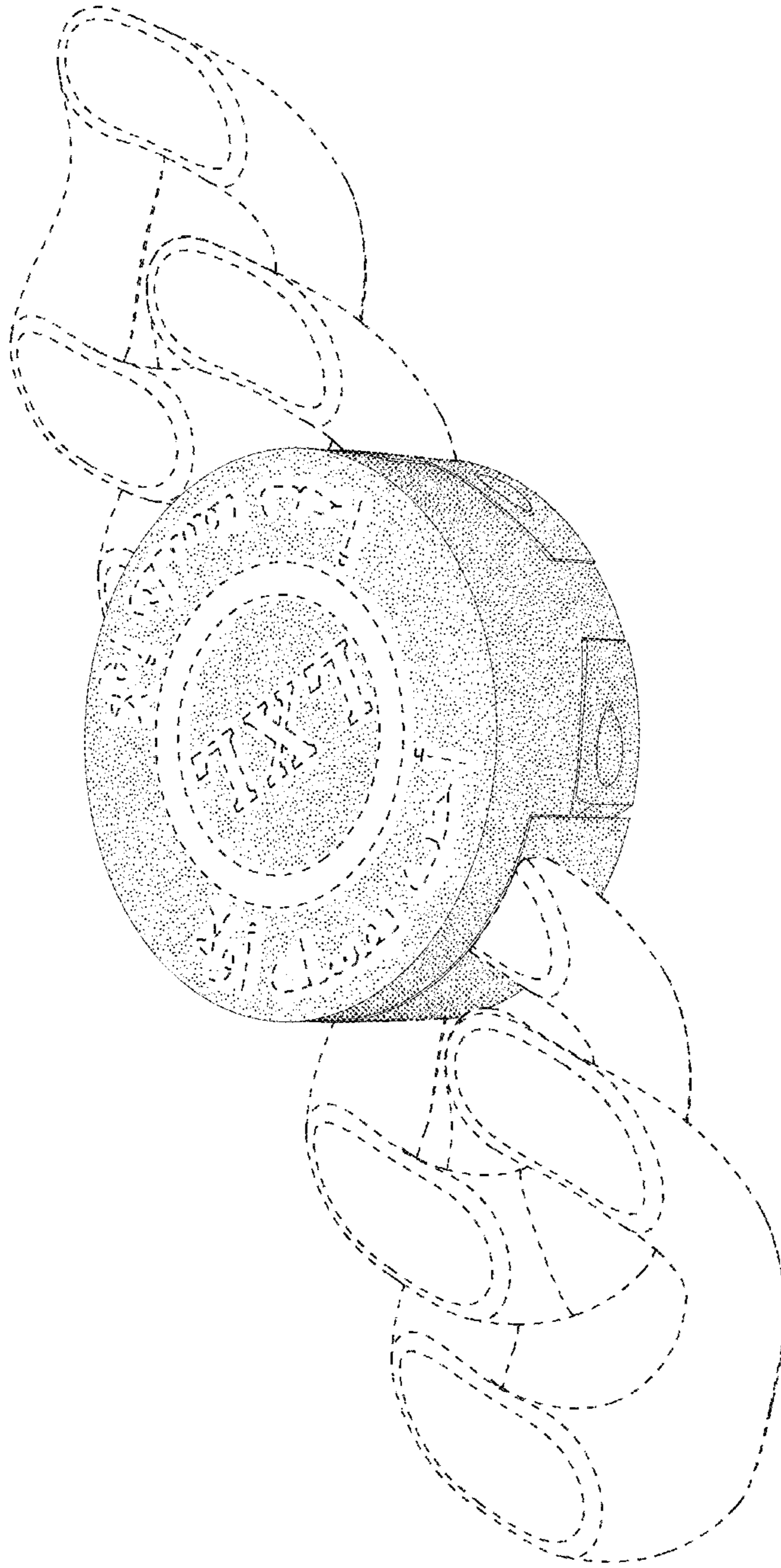


FIG. 17

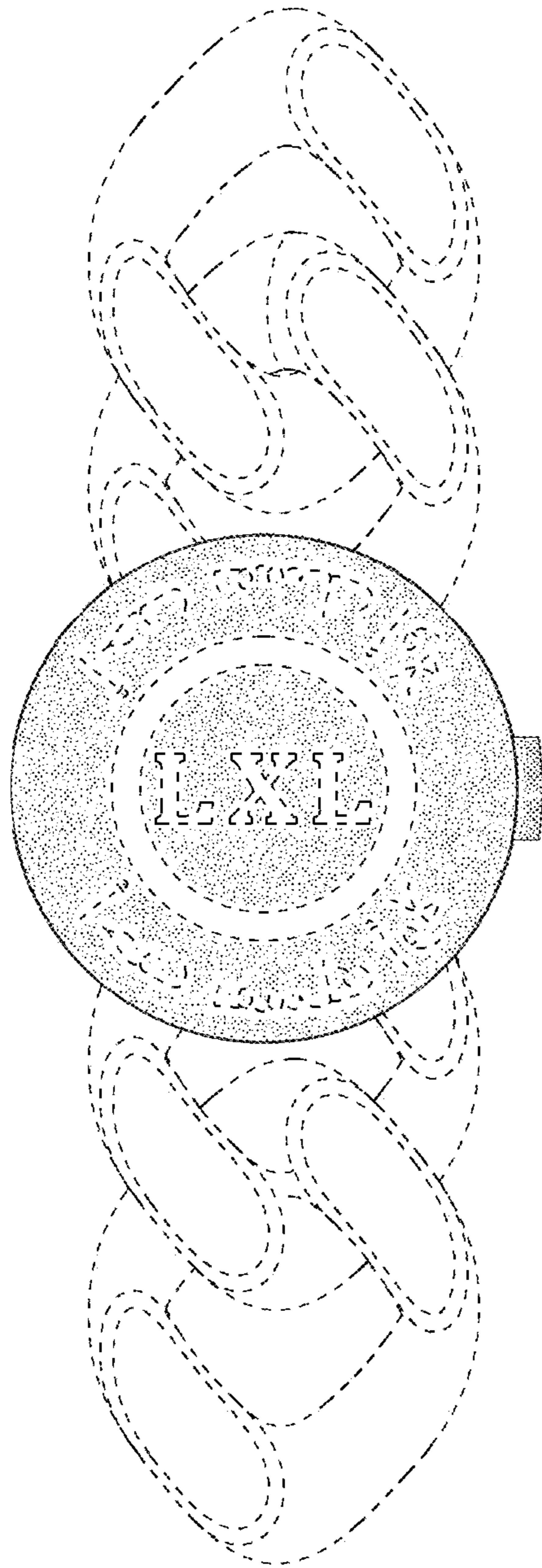


FIG. 18